

US00D504254S

(12) **United States Design Patent**
Yang et al.

(10) **Patent No.: US D504,254 S**
(45) **Date of Patent: ** Apr. 26, 2005**

(54) **CHAIR FRAME PORTION**
(75) Inventors: **Jian Hui Yang**, Fujian (CN); **Dennis M. Turner**, Mooresville, IN (US); **Paul T. Zink**, Indianapolis, IN (US); **Jason Andrews**, Indianapolis, IN (US)

(73) Assignee: **Cosco Management, Inc.**, Wilmington, DE (US)

(**) Term: **14 Years**

(21) Appl. No.: **29/190,619**

(22) Filed: **Sep. 24, 2003**

(51) **LOC (7) Cl.** **06-06**

(52) **U.S. Cl.** **D6/500; D6/368**

(58) **Field of Search** D6/334, 335, 336, D6/368, 374, 376, 380, 500-502; 297/16.1, 40, 41, 55, 56, 58, 59, 239

(56) **References Cited**

U.S. PATENT DOCUMENTS

D75,519 S	6/1928	Salomon	
D75,556 S	6/1928	Glantz	
1,740,806 A	* 12/1929	Clarín	297/56
1,873,768 A	* 8/1932	Kux	297/56
D107,545 S	12/1937	O'Connor	
2,458,095 A	1/1949	O'Connor	
2,509,107 A	5/1950	O'Connor	
2,607,399 A	8/1952	O'Connor	
2,701,007 A	* 2/1955	Hickok	297/40
2,991,123 A	7/1961	Hamilton	
3,001,816 A	9/1961	Clarín	

3,695,687 A	* 10/1972	Uyeda	297/56
D436,457 S	1/2001	Ambasz	
D440,784 S	* 4/2001	Ambasz	D6/368
D446,661 S	8/2001	Ambasz	
D465,346 S	11/2002	Lin	
D465,665 S	11/2002	Ritchie et al.	
D465,940 S	11/2002	Nien	
D467,759 S	12/2002	Dellinger	
D481,549 S	* 11/2003	Turner et al.	D6/368

* cited by examiner

Primary Examiner—Mimosa De

(74) *Attorney, Agent, or Firm*—Barnes & Thornburg LLP

(57) **CLAIM**

The ornamental design for a chair frame portion, as shown and described.

DESCRIPTION

FIG. 1 is a perspective view of a chair frame portion in accordance with our new design, with portions of a chair forming the environment of the chair frame portion and being illustrated in broken lines, which broken lines are for illustrative purposes only and form no part of the claimed design;

FIG. 2 is a front elevational view of the chair frame portion shown in FIG. 1;

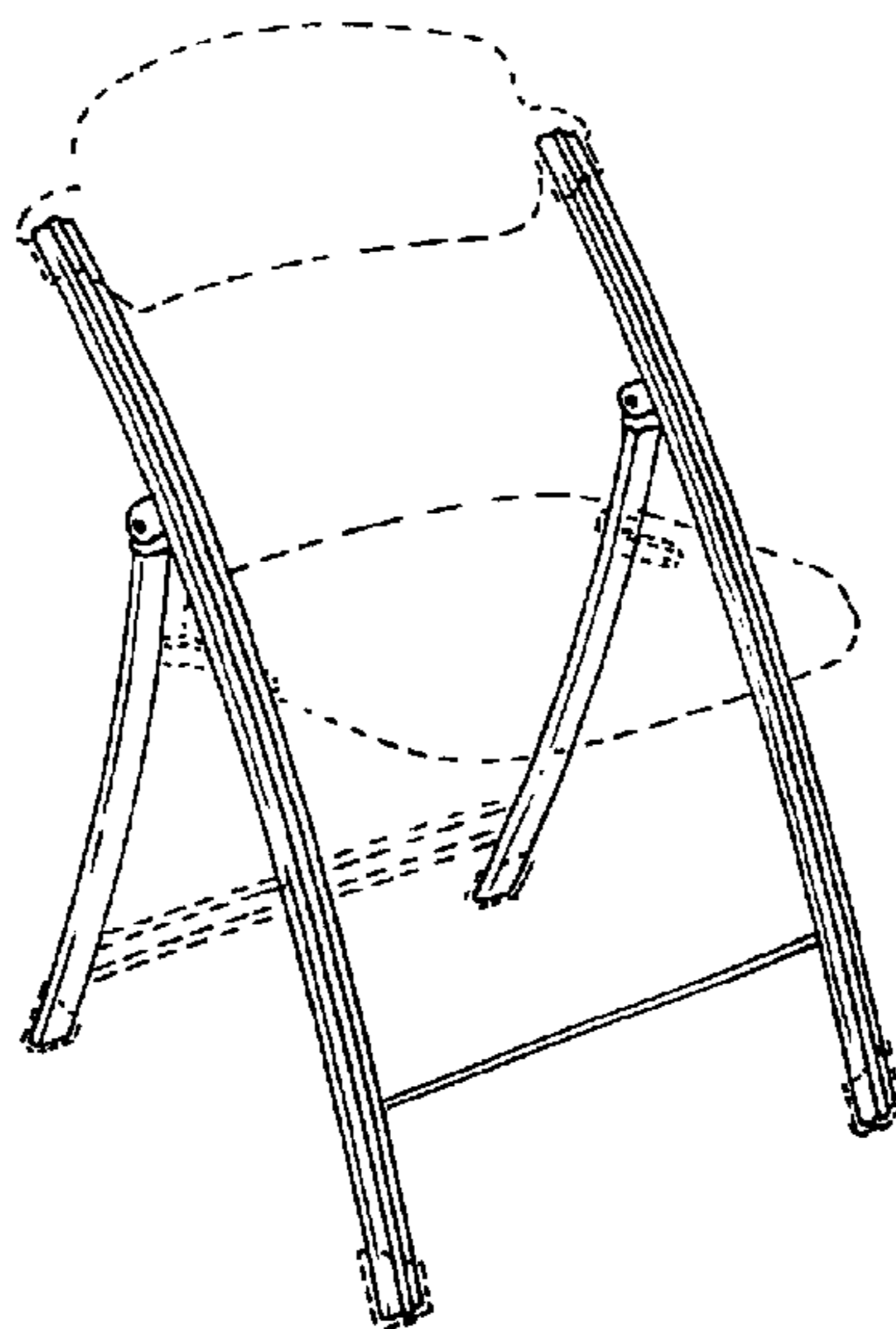
FIG. 3 is a left-side elevational view thereof, the left and right sides of the chair frame portion being symmetrical to one another;

FIG. 4 is a rear elevational view thereof;

FIG. 5 is a top plan view thereof; and,

FIG. 6 is a bottom view thereof.

1 Claim, 2 Drawing Sheets



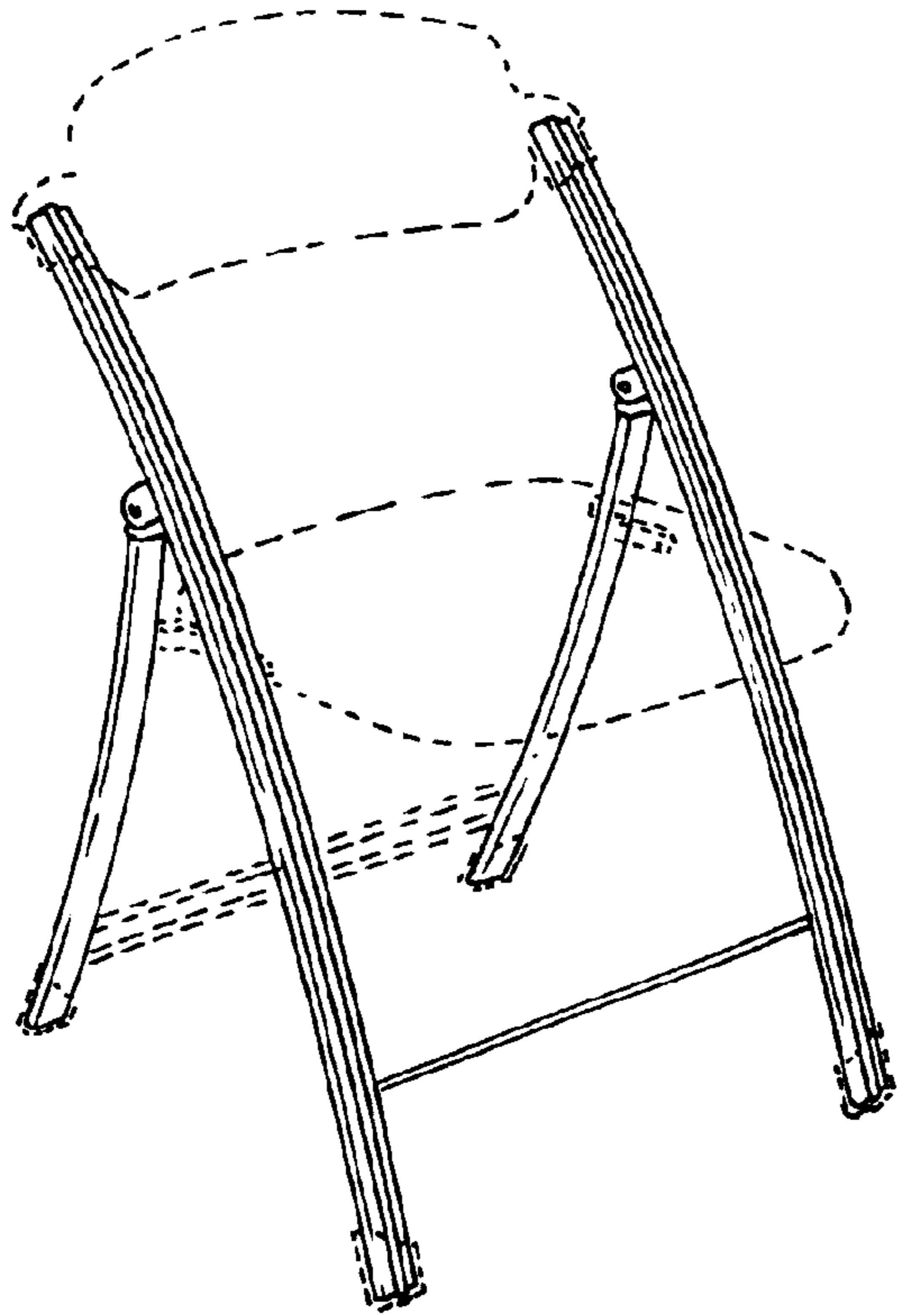


FIG. 1

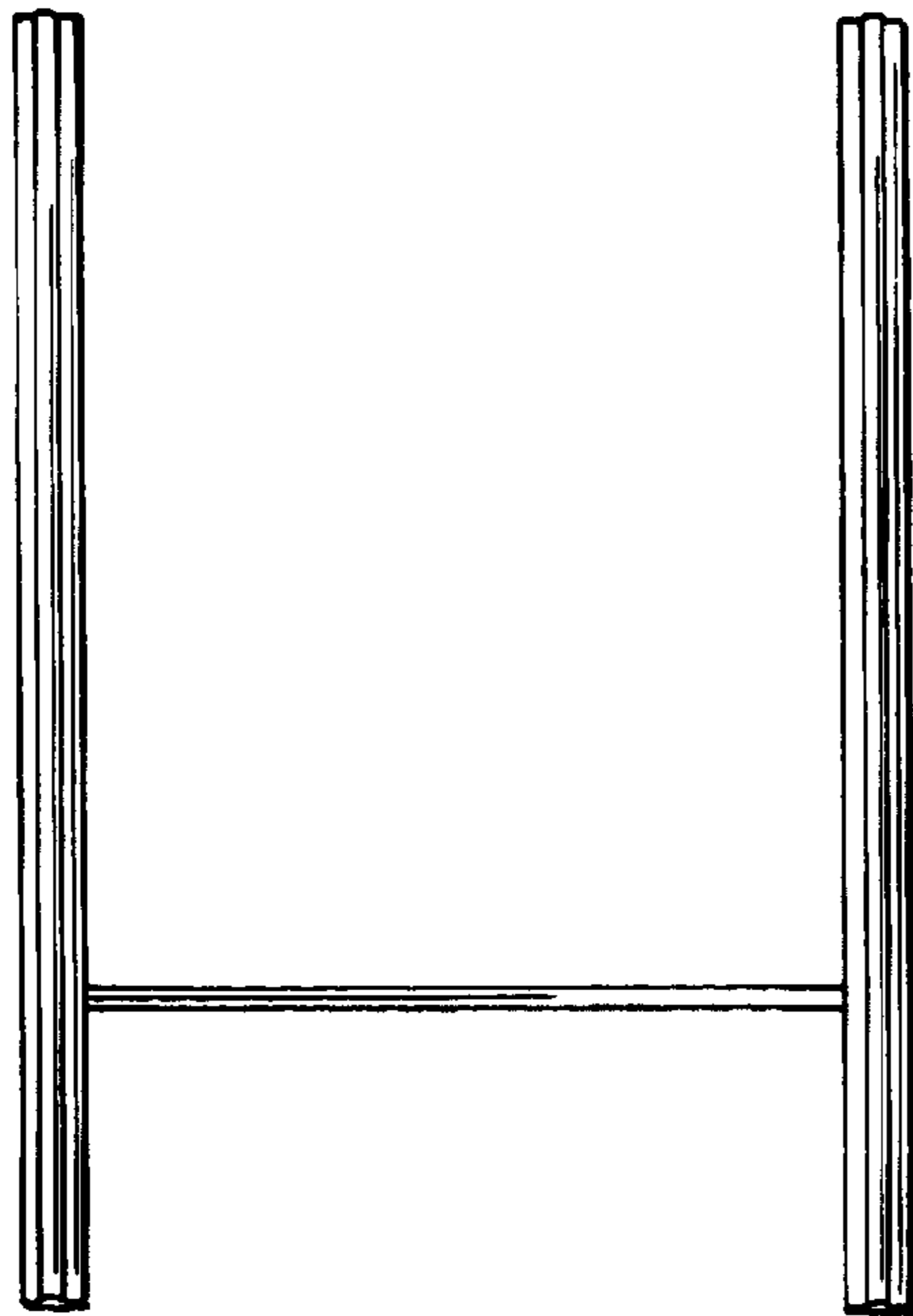


FIG. 2

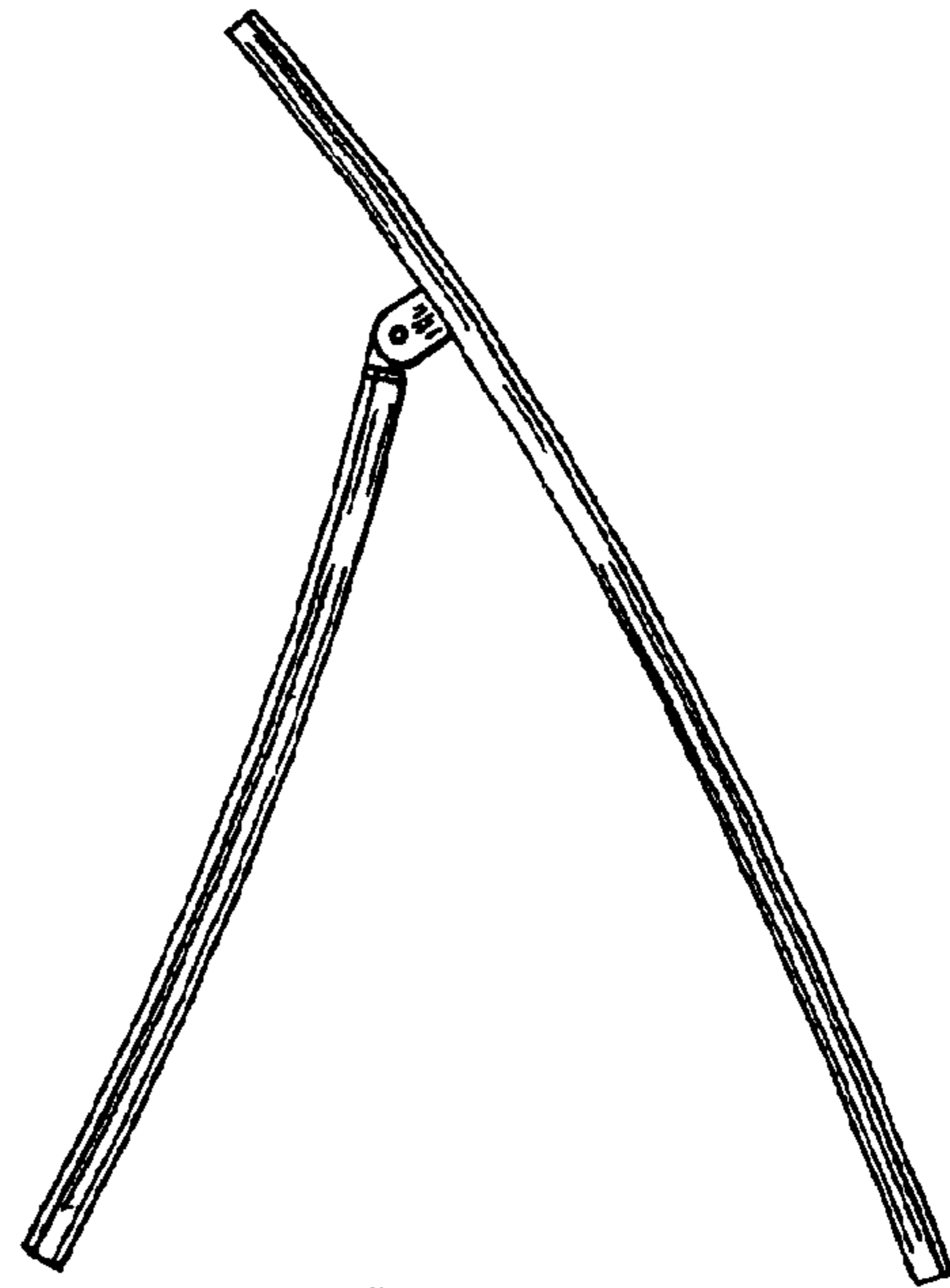


FIG. 3

