

US00D504241S

(12) **United States Design Patent**
Hightower

(10) **Patent No.: US D504,241 S**

(45) **Date of Patent: ** Apr. 26, 2005**

(54) **PICNIC TABLE WITH RACE CAR TIRE TABLE TOP**

5,029,938 A * 7/1991 Song 297/158.4
D330,127 S * 10/1992 Song D6/429
D354,867 S * 1/1995 Lee D6/335
D496,169 S * 9/2004 Hightower D6/337

(76) **Inventor: Victoria Hightower**, 201 Skylane Rd.,
St. Simons, GA (US) 31522

* cited by examiner

(**) **Term: 14 Years**

Primary Examiner—Mimosa De
(74) *Attorney, Agent, or Firm*—Hinkle + O’Bradovich,
LLC

(21) **Appl. No.: 29/204,271**

(22) **Filed: Apr. 27, 2004**

(57) **CLAIM**

(51) **LOC (7) Cl. 06-01**

The ornamental design for a picnic table with race car tire table top, as shown.

(52) **U.S. Cl. D6/337**

(58) **Field of Search** D6/334, 335, 336,
D6/337, 429, 500–502; 297/157.1, 158.3,
158.4, 158.5, 159.1, 139; 108/35, 160,
161

DESCRIPTION

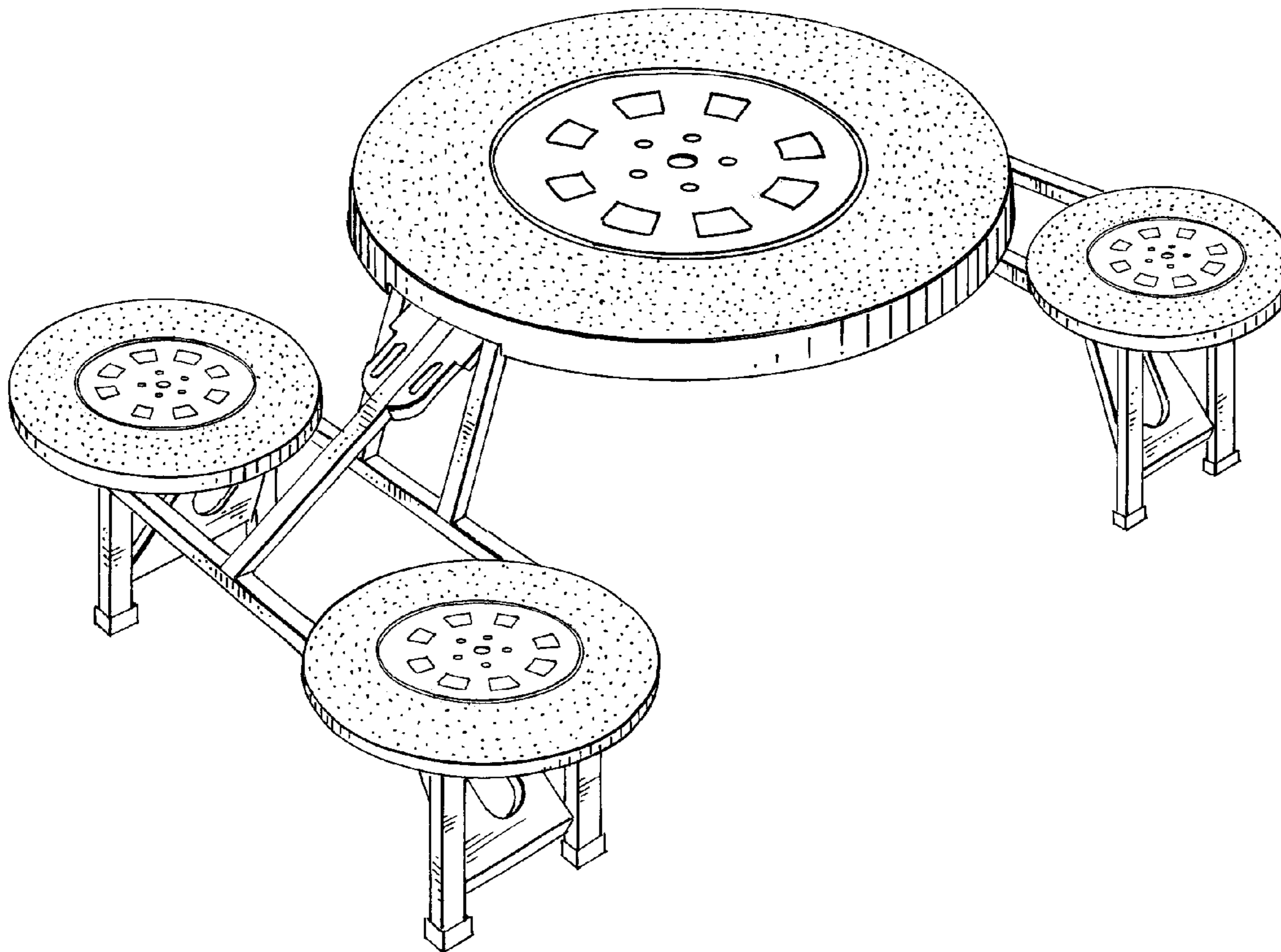
(56) **References Cited**

FIG. 1 is a perspective view of a picnic table with a race car tire table top;
FIG. 2 is a top plan view thereof;
FIG. 3 is a side elevational view thereof;
FIG. 4 is a bottom plan view thereof; and,
FIG. 5 is a front elevational view thereof.

U.S. PATENT DOCUMENTS

D244,409 S * 5/1977 Arnold D6/337
4,653,804 A * 3/1987 Yoo et al. 297/158.4
4,826,244 A * 5/1989 Choi 297/158.4

1 Claim, 3 Drawing Sheets



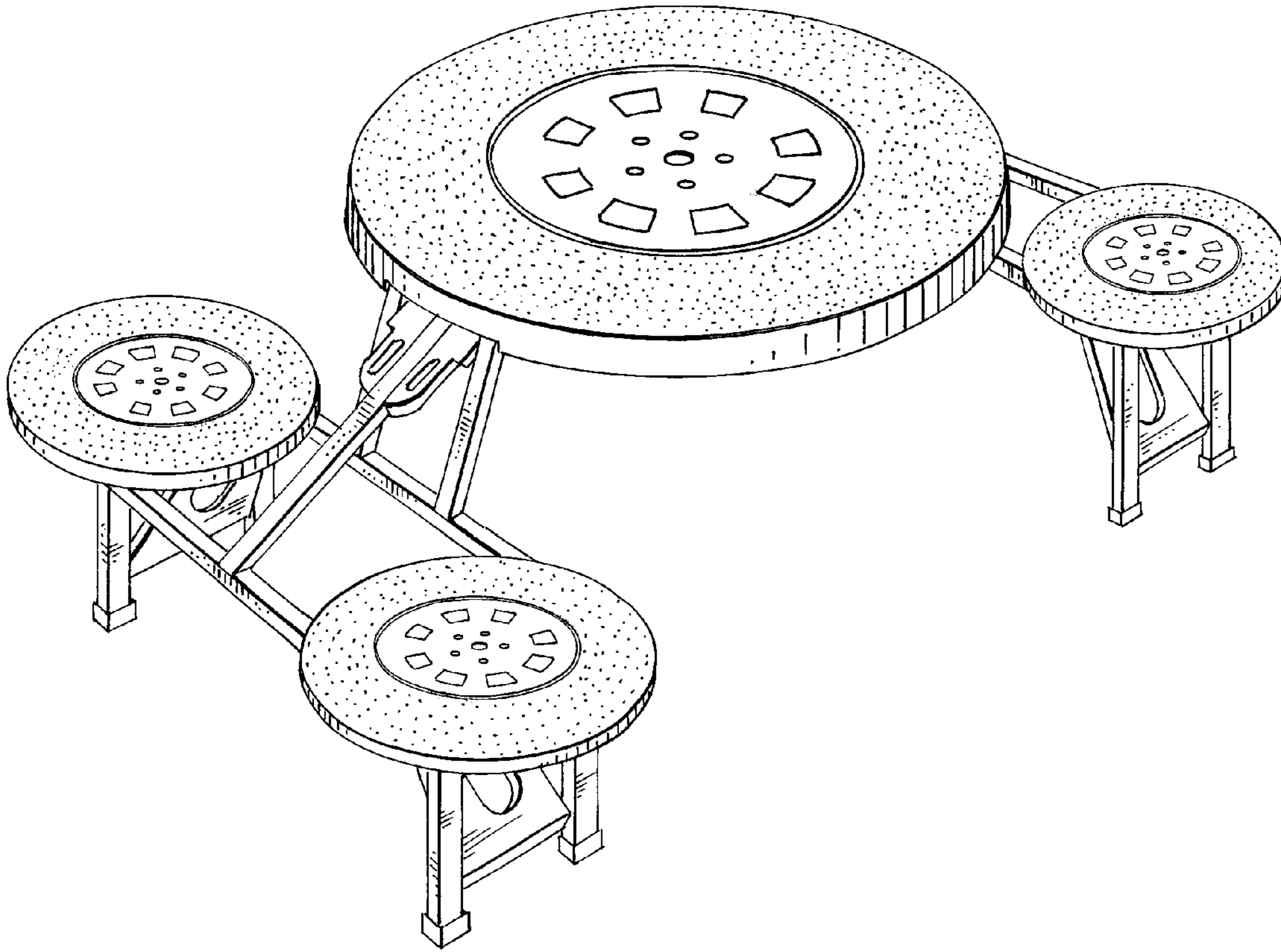


Fig. 1

Fig. 2

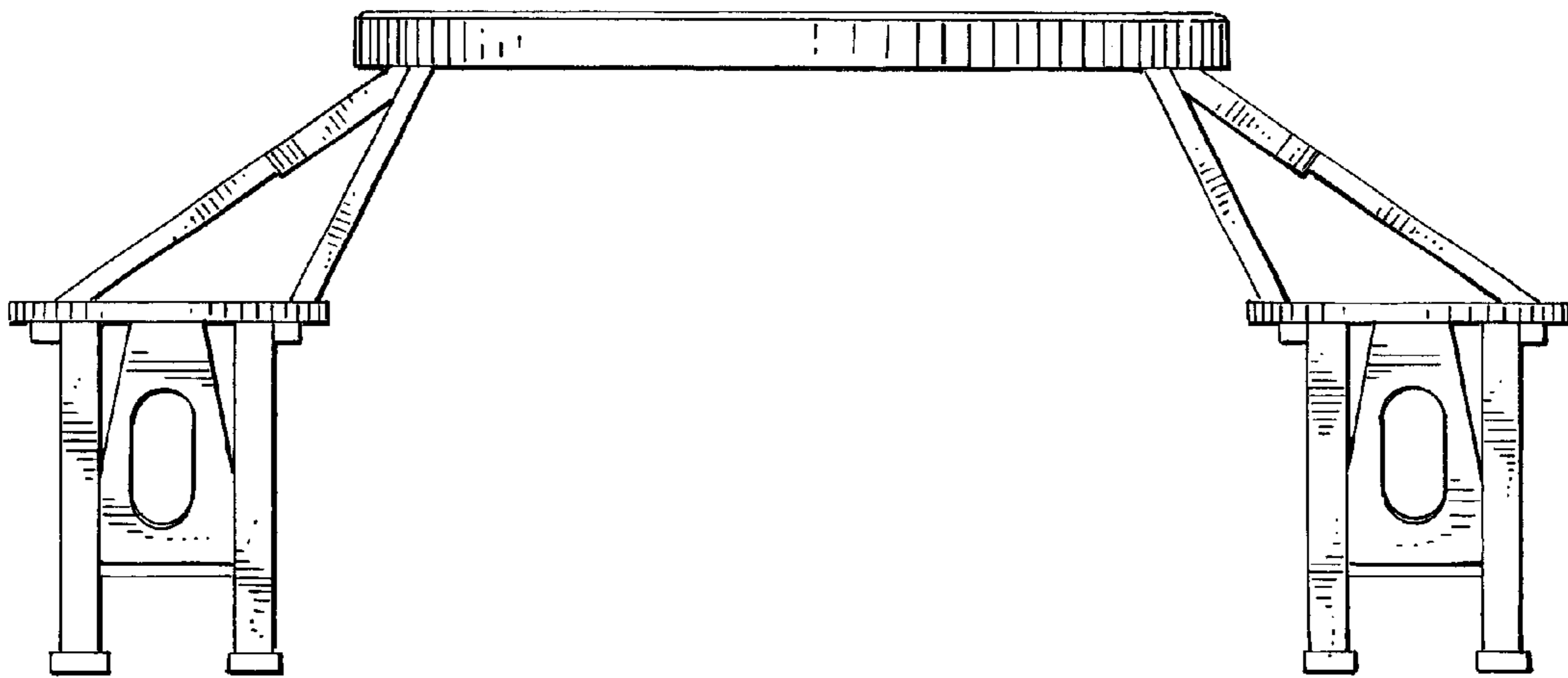
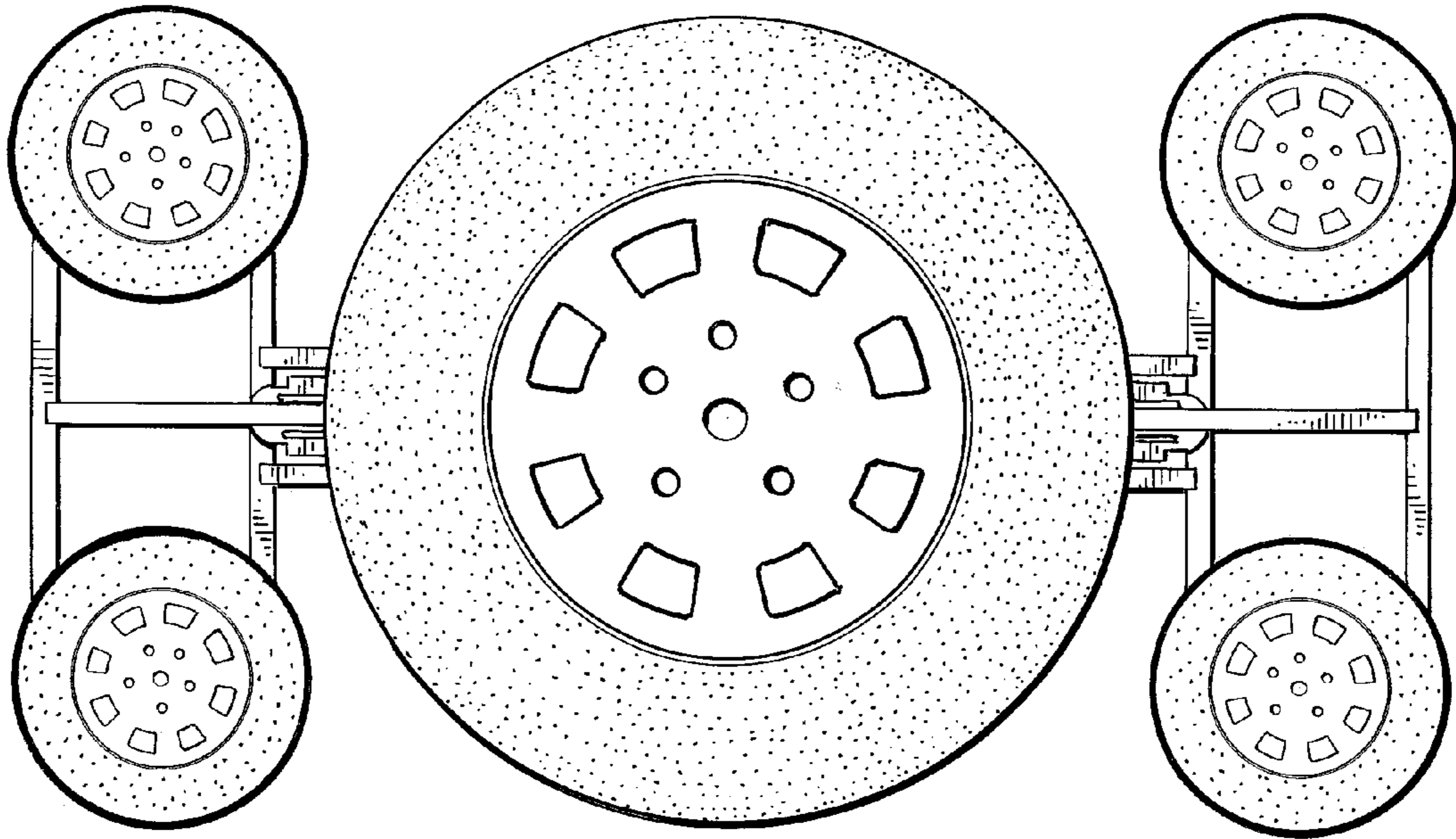


Fig. 3

Fig. 4

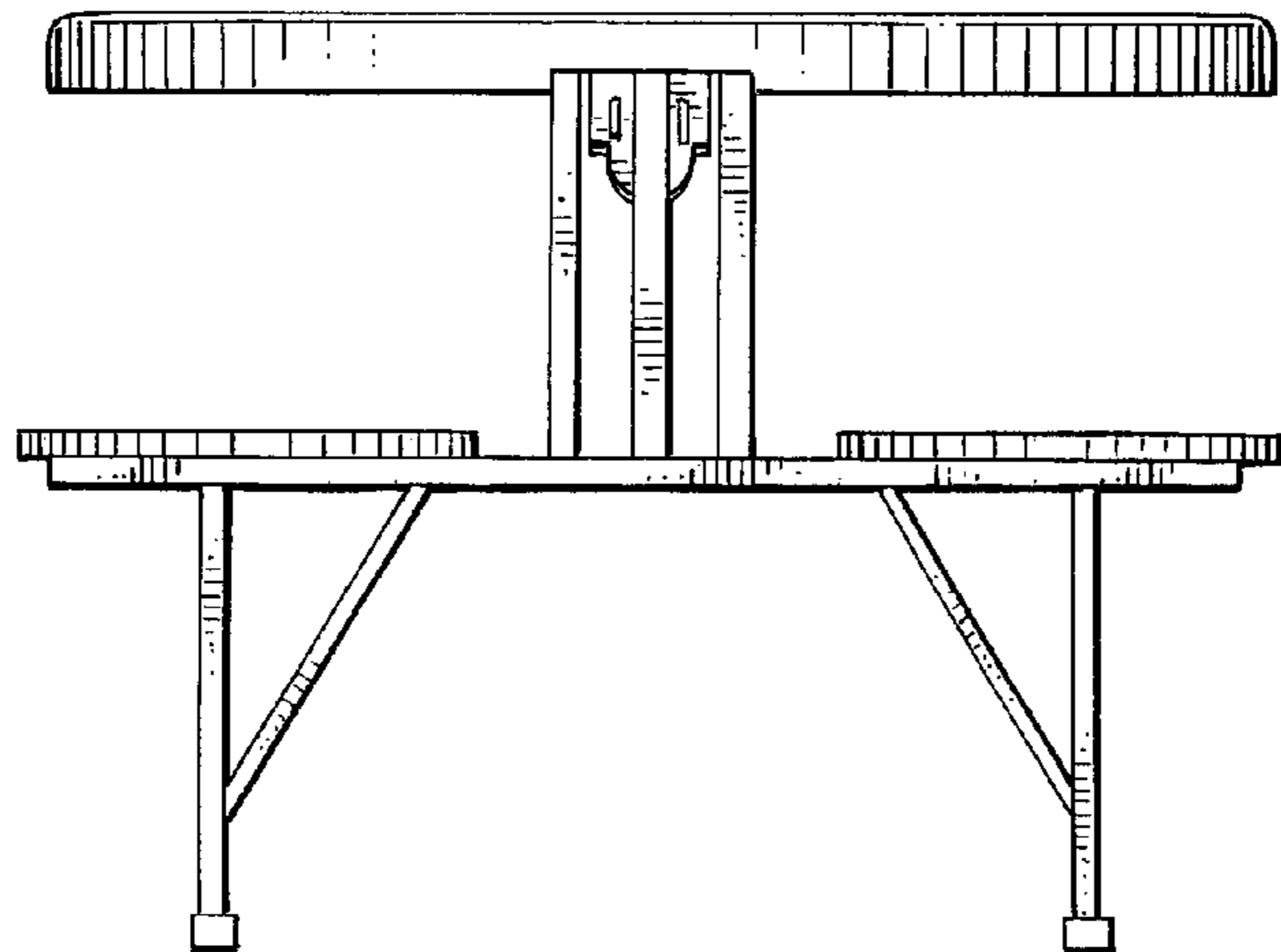
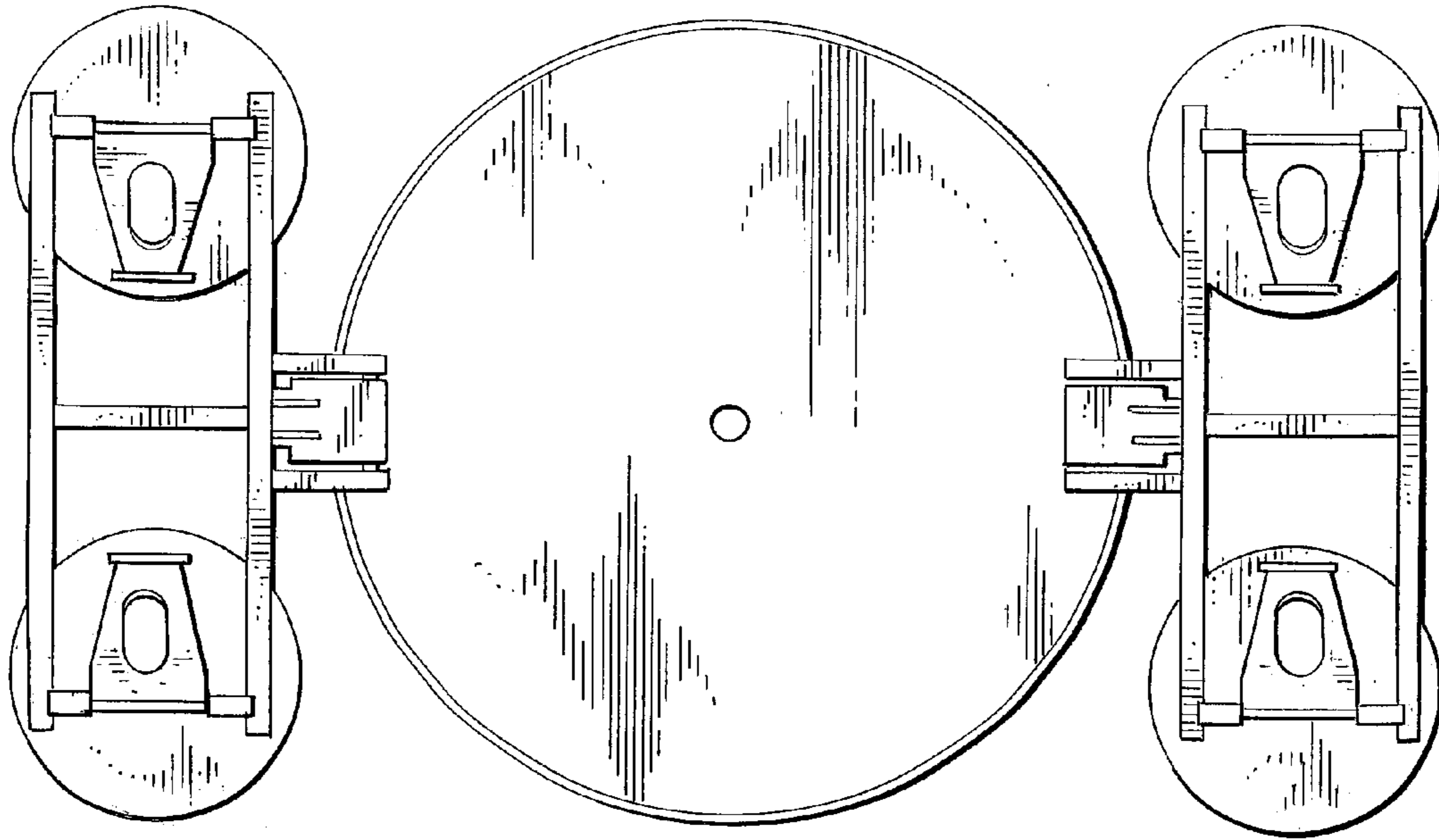


Fig. 5