

US00D504240S

(12) **United States Design Patent**  
**Milinov**

(10) **Patent No.: US D504,240 S**  
(45) **Date of Patent: \*\* Apr. 26, 2005**

(54) **CHAIR TRANSFORMABLE INTO A DESK**

(75) Inventor: **Ilian Vladimirov Milinov, Sofia (BG)**

(73) Assignee: **ORT Joint-Stock Company (BG)**

(\*\*) Term: **14 Years**

(21) Appl. No.: **29/176,650**

(22) Filed: **Feb. 27, 2003**

(30) **Foreign Application Priority Data**

Sep. 2, 2002 (BG) ..... 6513

(51) **LOC (7) Cl. .... 06-01**

(52) **U.S. Cl. .... D6/335**

(58) **Field of Search** ..... D6/334-336, 338,  
D6/367, 368, 371-373, 379, 480, 481, 483,  
484, 500-502; 297/118, 119, 122-126;  
108/11, 13, 15, 115, 146

(56) **References Cited**

**U.S. PATENT DOCUMENTS**

D147,671 S	*	10/1947	Kirkpatrick	.....	D6/336
4,046,417 A	*	9/1977	Beckley	.....	D6/484
D260,584 S	*	9/1981	Albinson	.....	D6/373
D277,345 S	*	1/1985	Kramer et al.	.....	D6/373
D316,938 S	*	5/1991	Hess	.....	D6/373
5,123,697 A	*	6/1992	Szczurek	.....	297/126
D405,979 S	*	2/1999	Kramer et al.	.....	D6/484

**FOREIGN PATENT DOCUMENTS**

EP	0447 925 A2	9/1991
FR	1414427	10/1965
SU	1118344	10/1984
SU	1606111	11/1990

WO WO 96/29915 10/1996  
WO WO 01/76421 10/2001

\* cited by examiner

*Primary Examiner*—Mimosa De

(74) *Attorney, Agent, or Firm*—Finnegan, Henderson, Farabow, Garrett & Dunner, LLP

(57) **CLAIM**

The ornamental design for the chair transformable into a desk, as shown and described.

**DESCRIPTION**

FIG. 1 is a right, front-perspective view of the chair transformable into a desk of my new design, shown in a chair configuration;

FIG. 2 is a right, rear-perspective view thereof;

FIG. 3 is a front view; thereof;

FIG. 4 is a rear view; thereof;

FIG. 5 is a left-side view; thereof; the right-side view being a mirror image thereof;

FIG. 6 is a top view thereof;

FIG. 7 is a right-side view of my new design shown partially transformed into a table configuration, the left-side view being a mirror image thereof;

FIG. 8 is a right, front-perspective view of my new design shown completely transformed into the table configuration;

FIG. 9 is a right, rear-perspective view of my new design, shown in the table configuration;

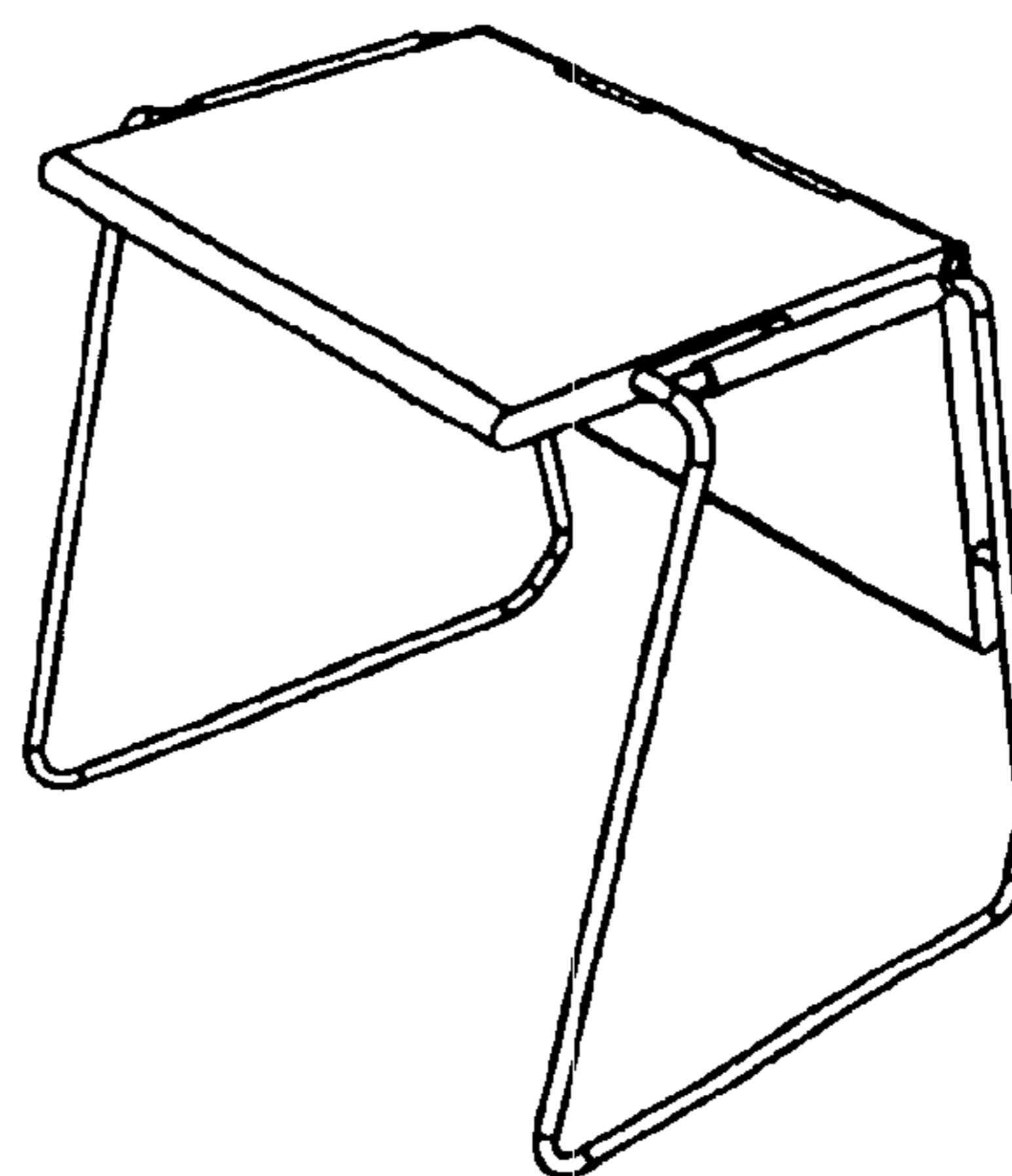
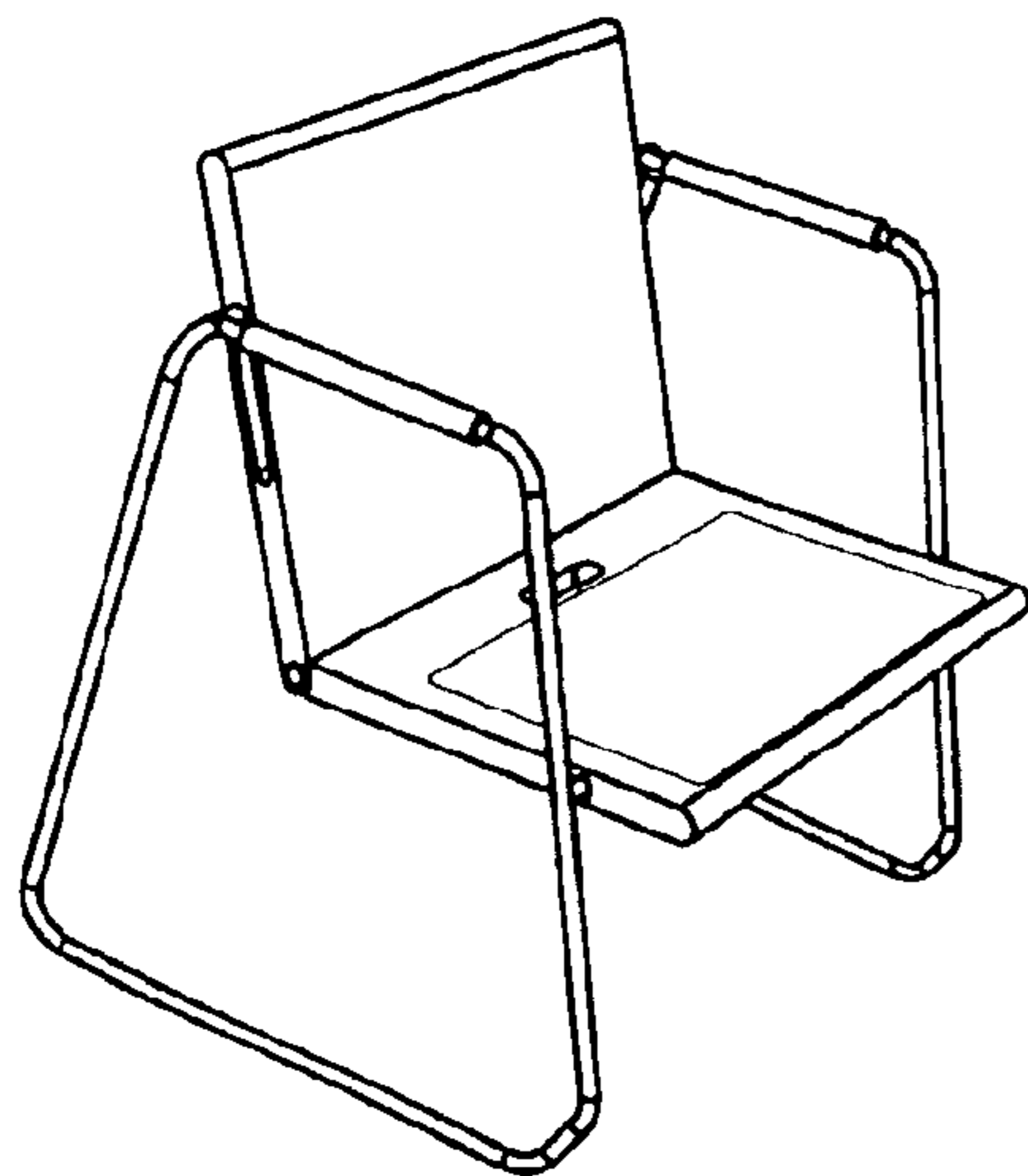
FIG. 10 is a rear view; thereof;

FIG. 11 is a front view; thereof;

FIG. 12 is a left-side view thereof; the right-side view being a mirror image thereof; and,

FIG. 13 is a top view; thereof.

**1 Claim, 4 Drawing Sheets**



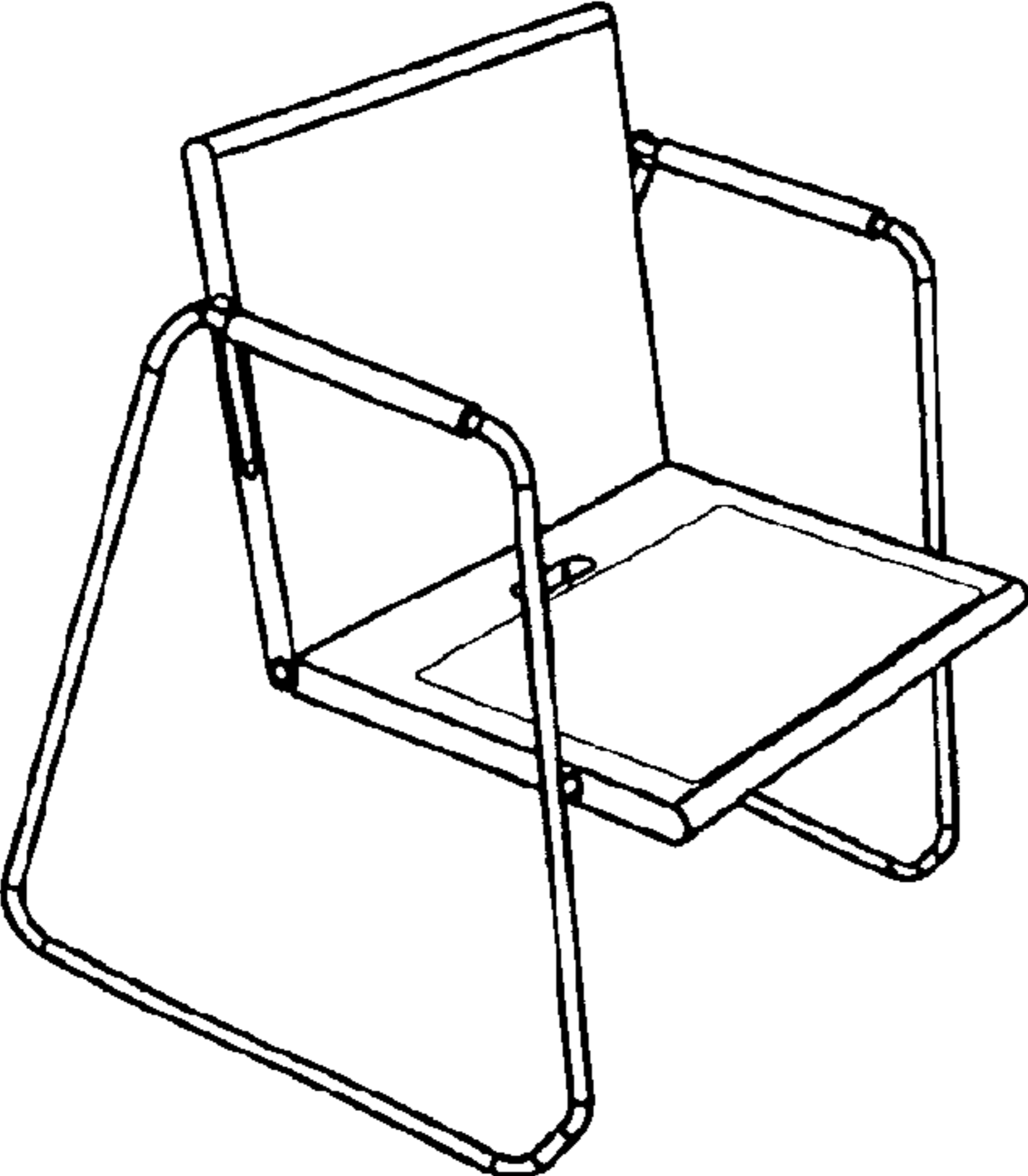


FIG. 1

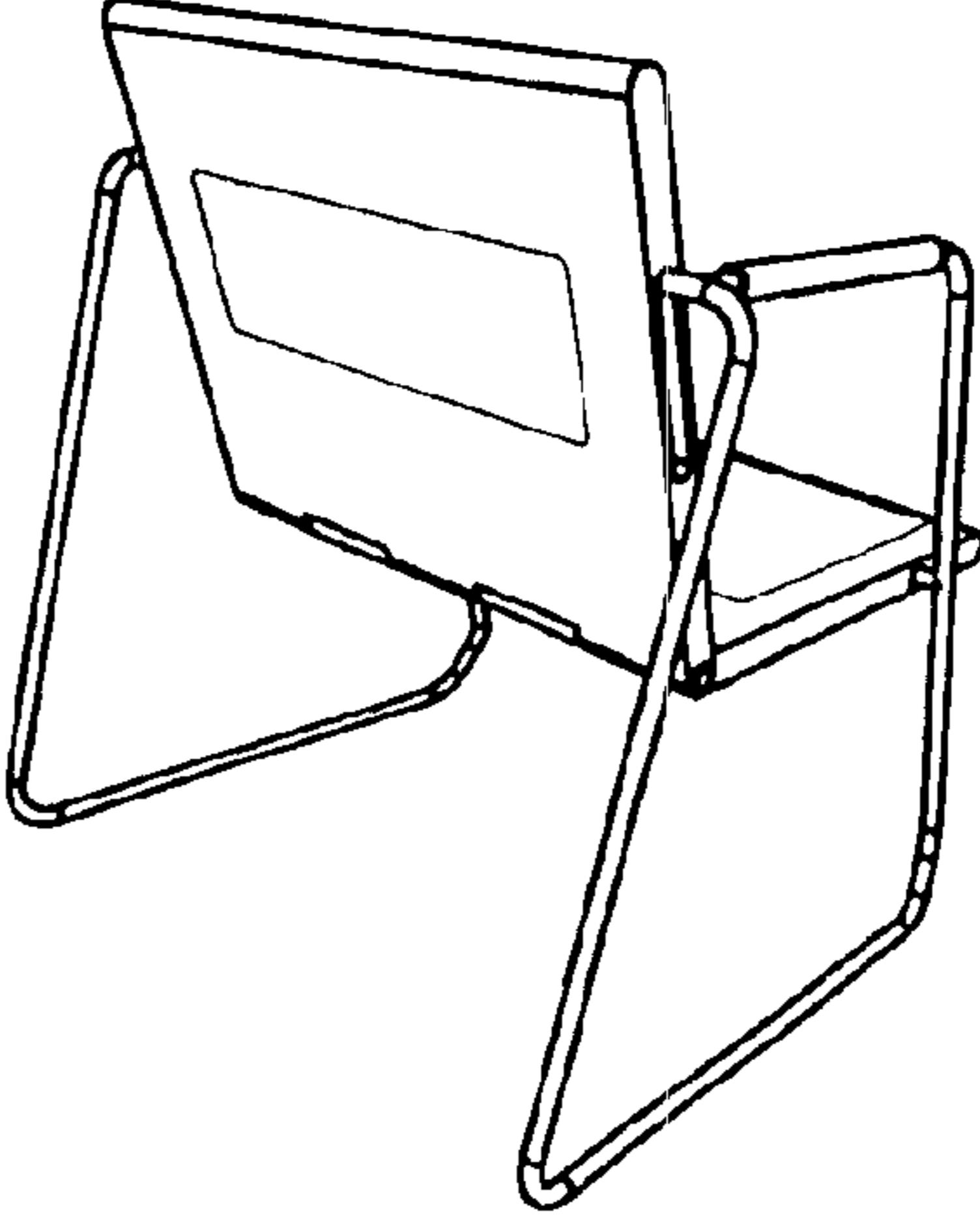


FIG. 2

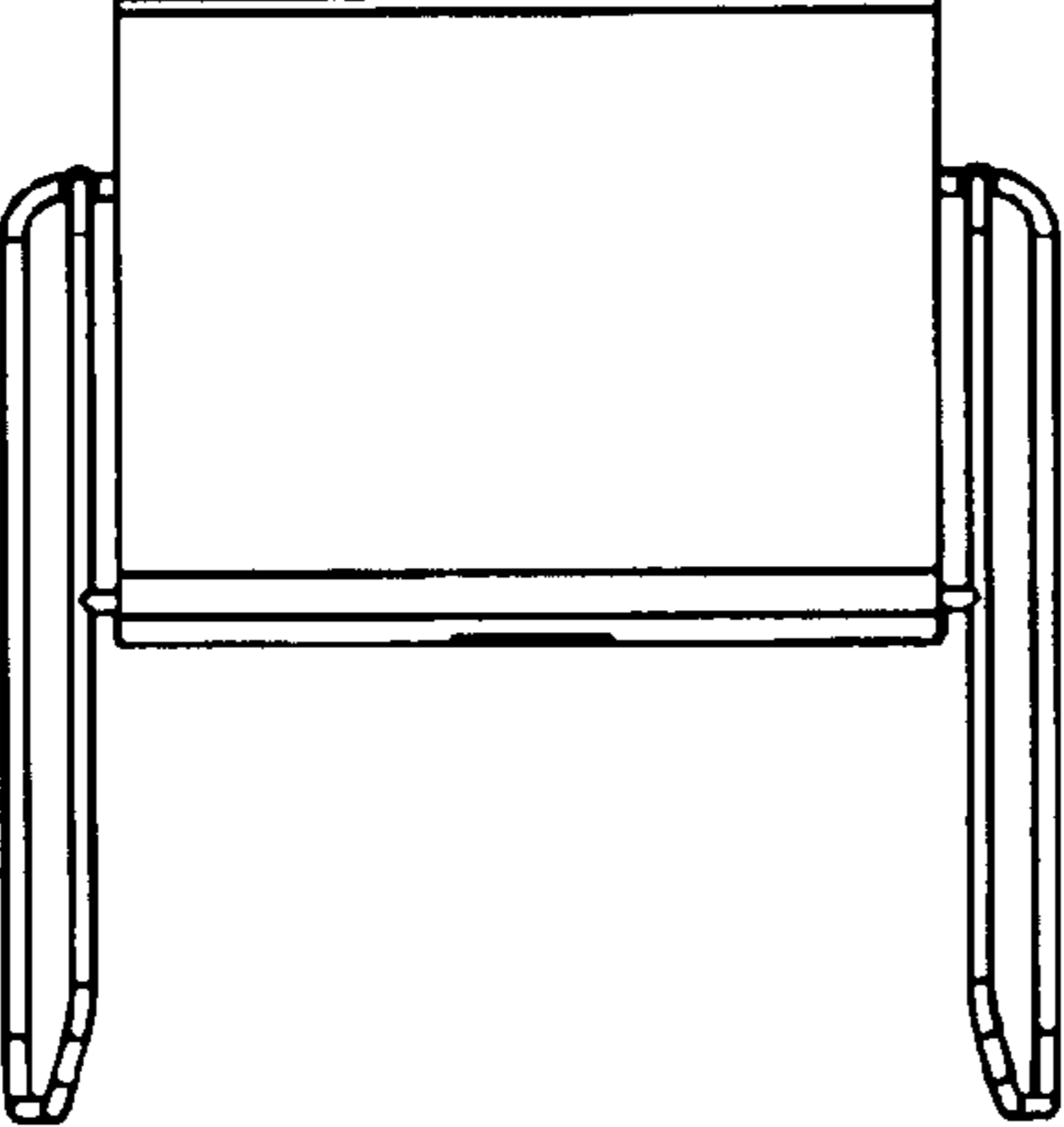


FIG. 3

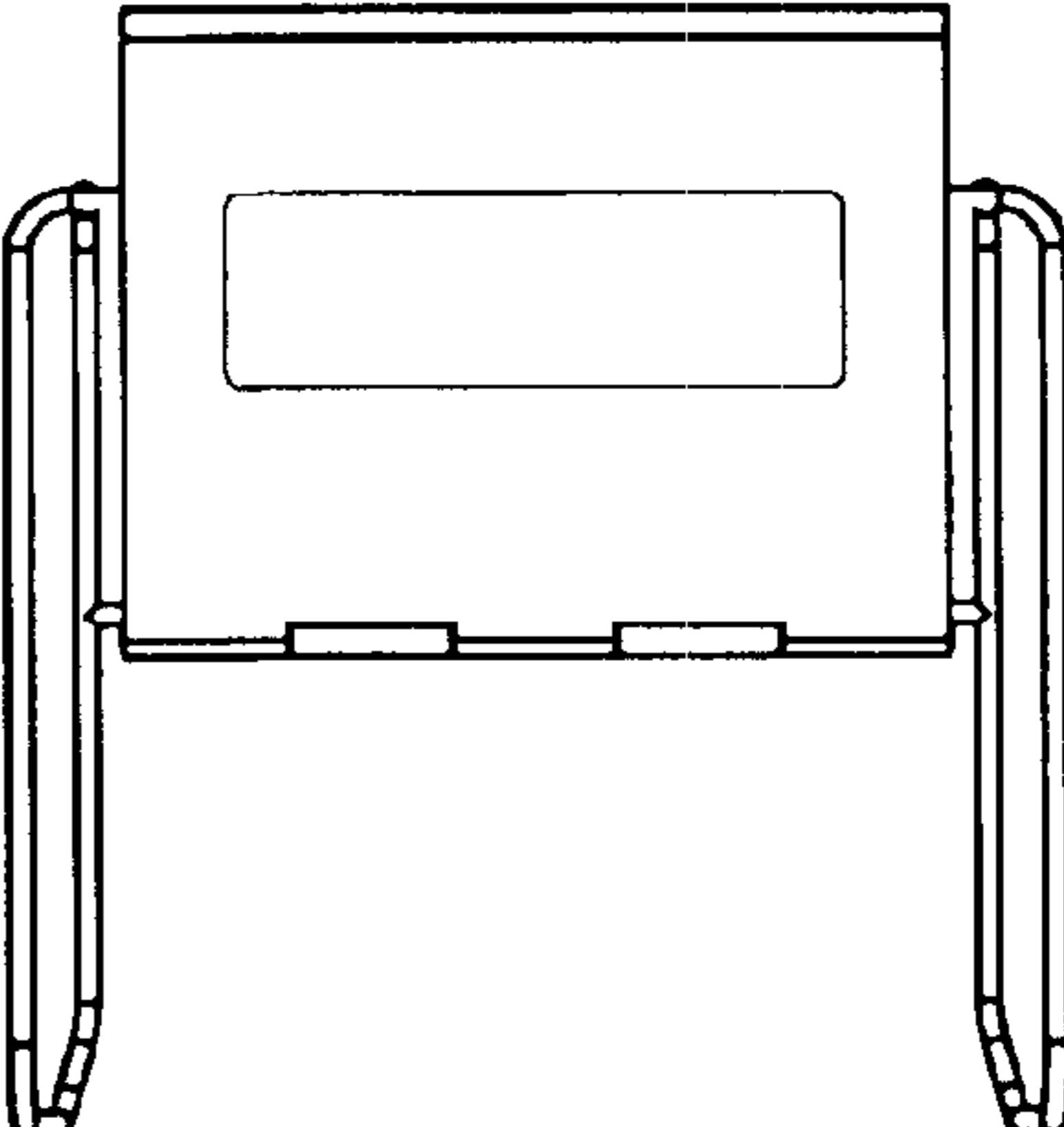


FIG. 4

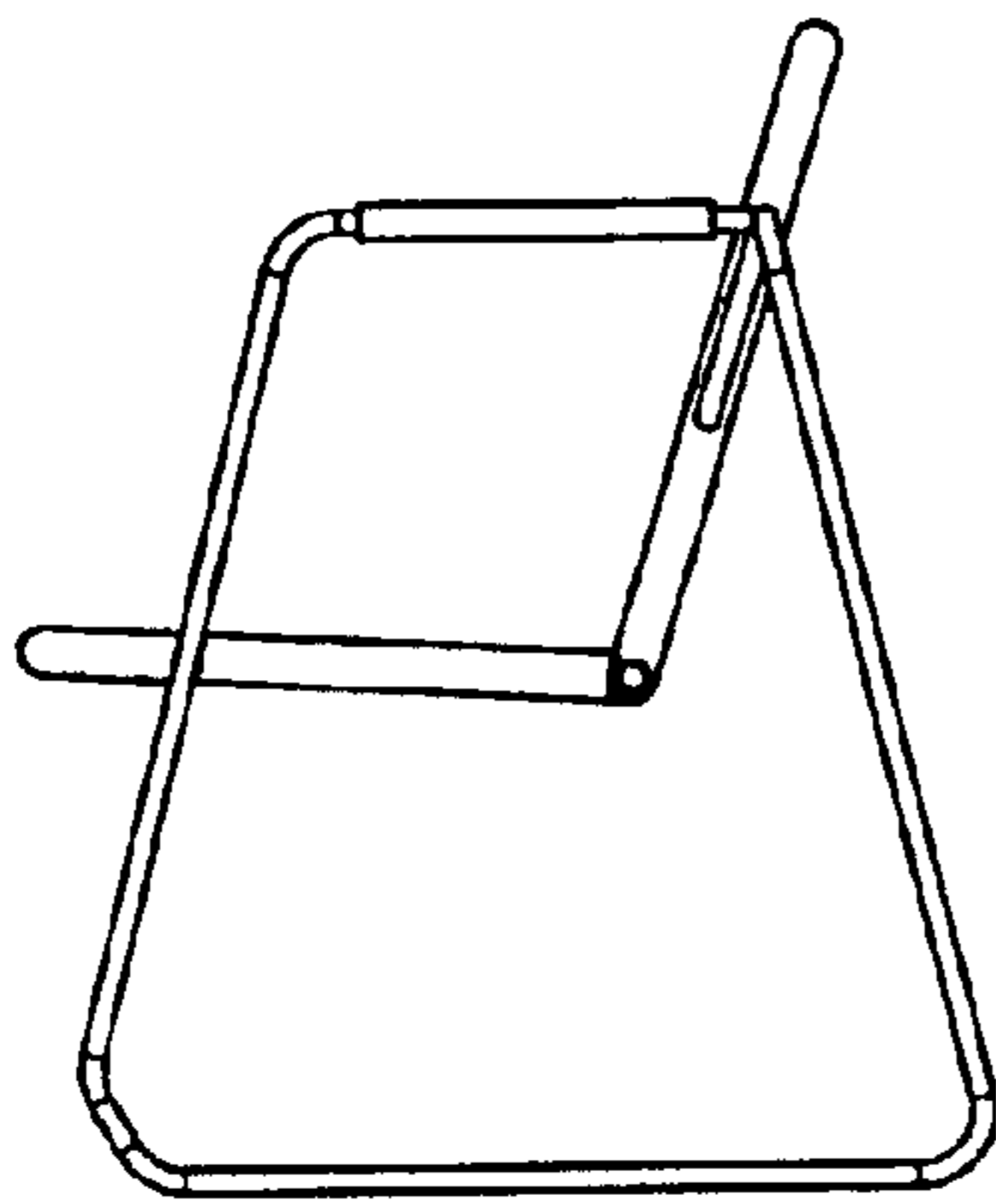


FIG. 5

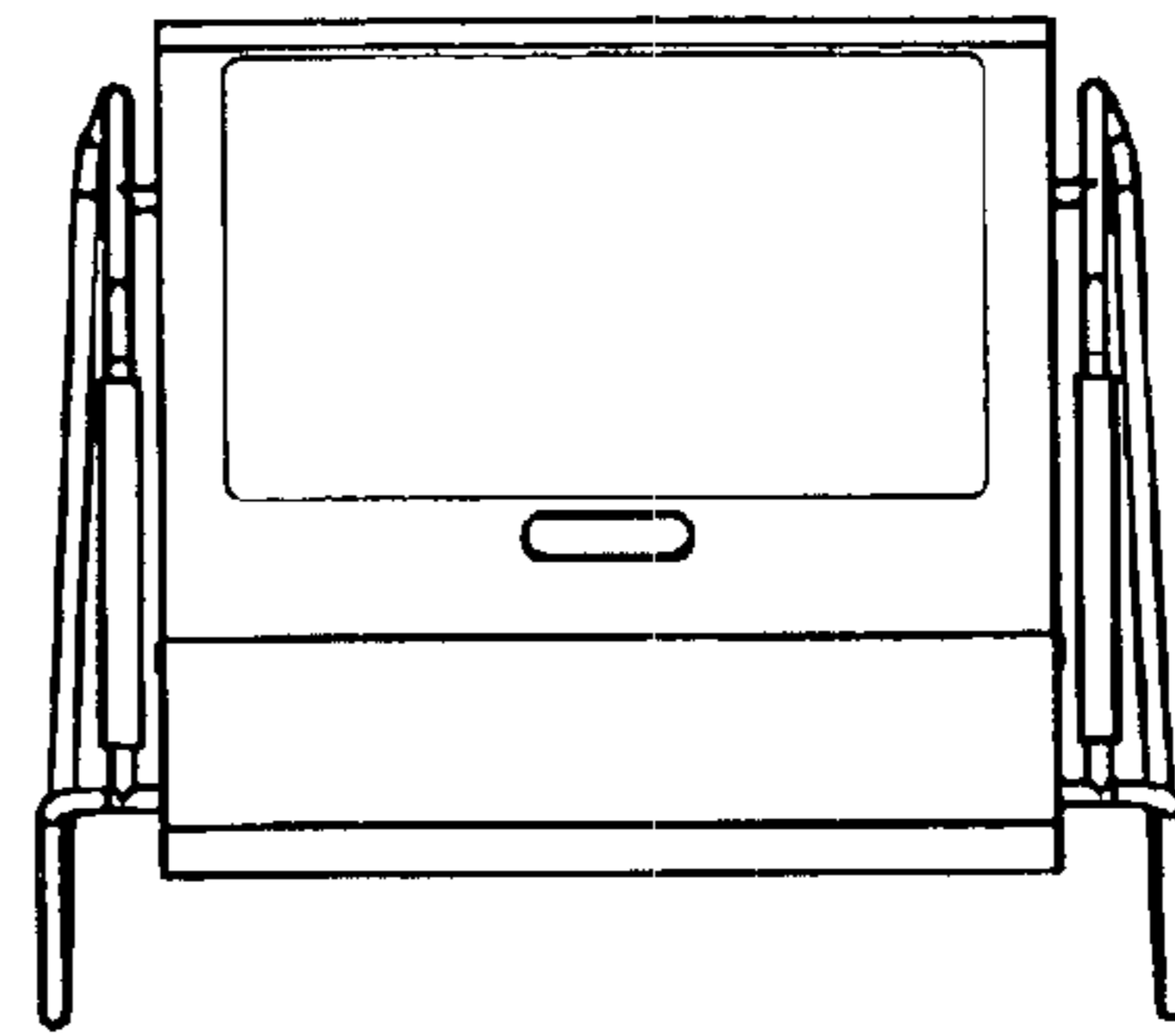


FIG. 6

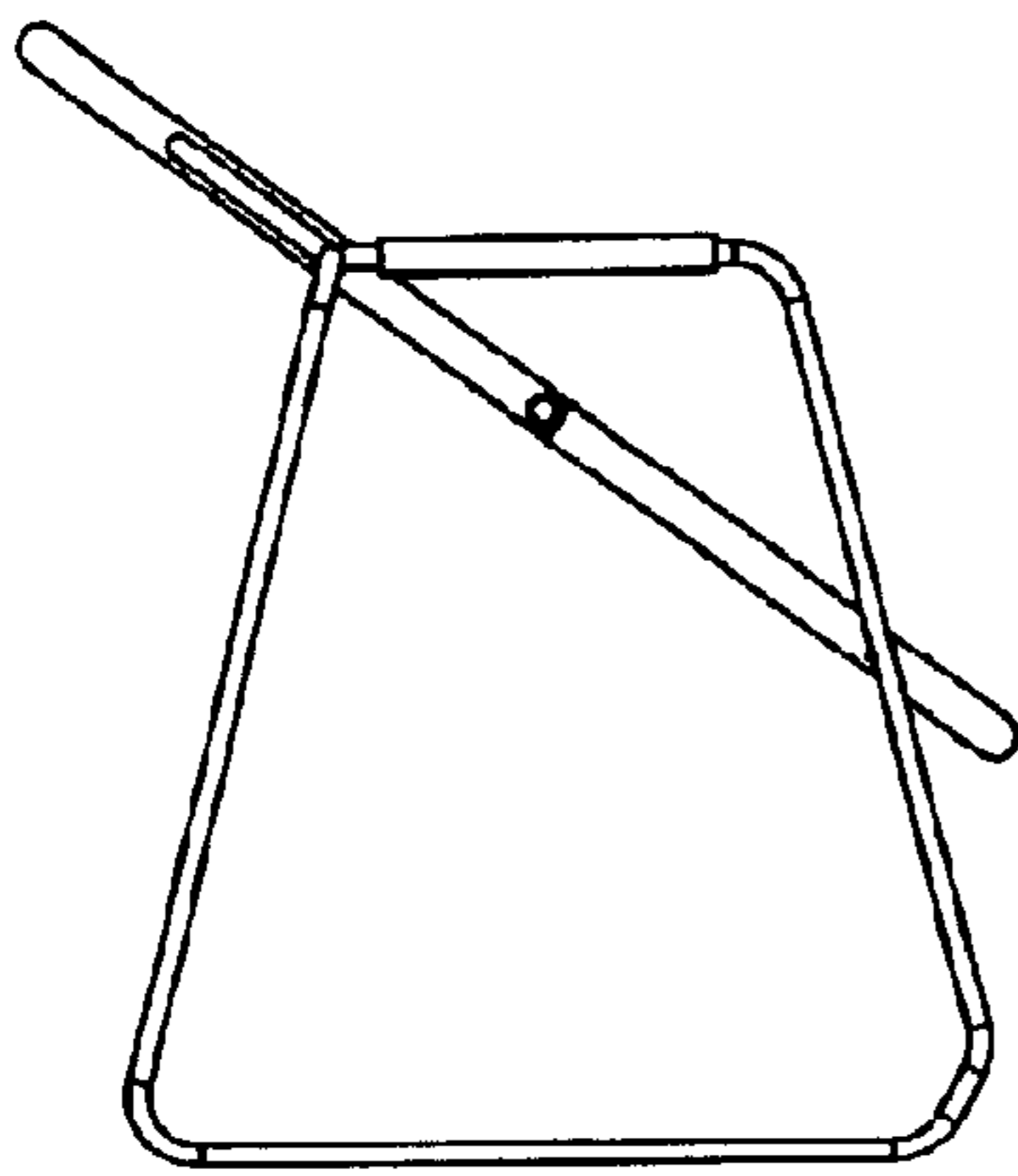


FIG. 7

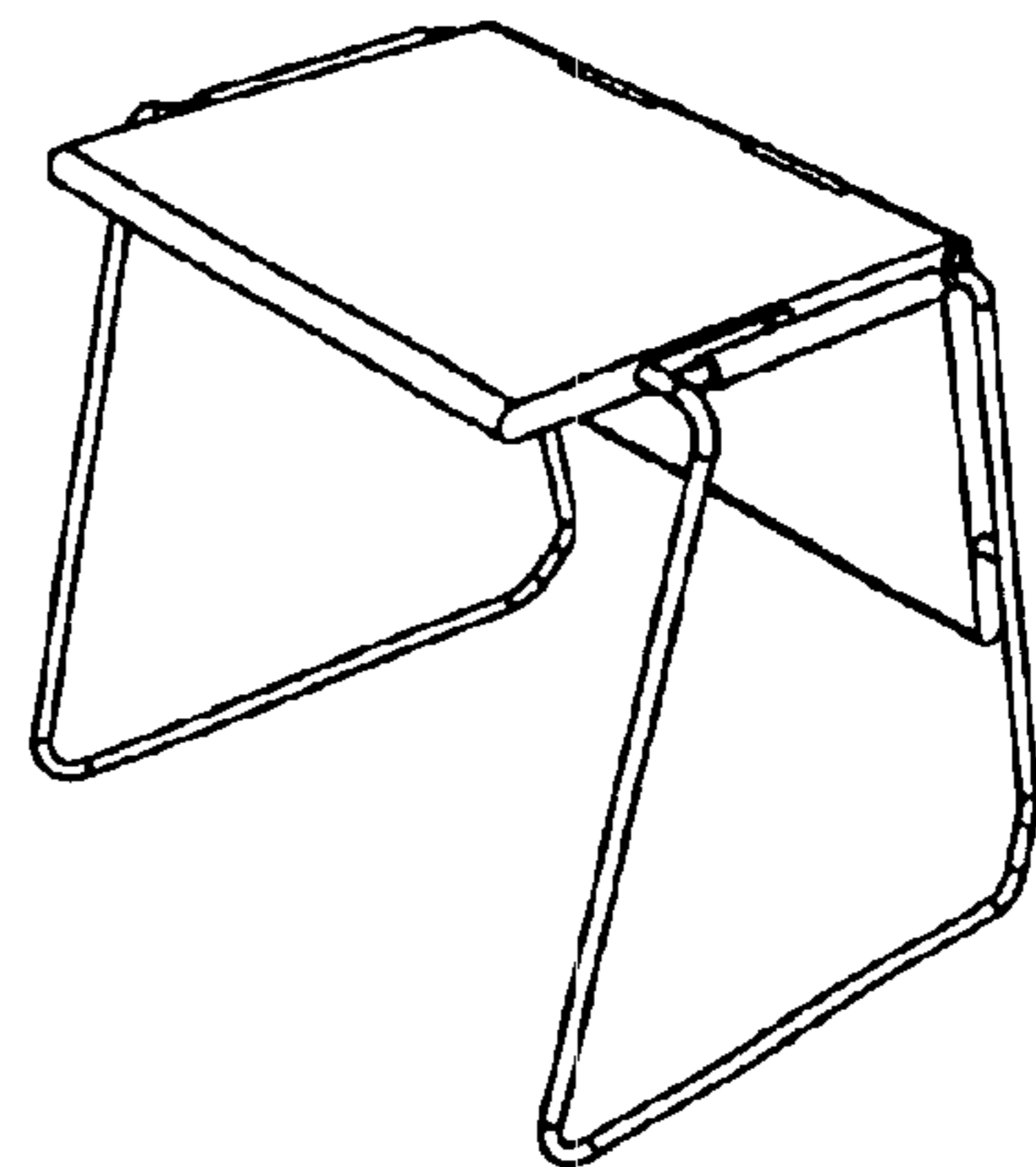


FIG. 8

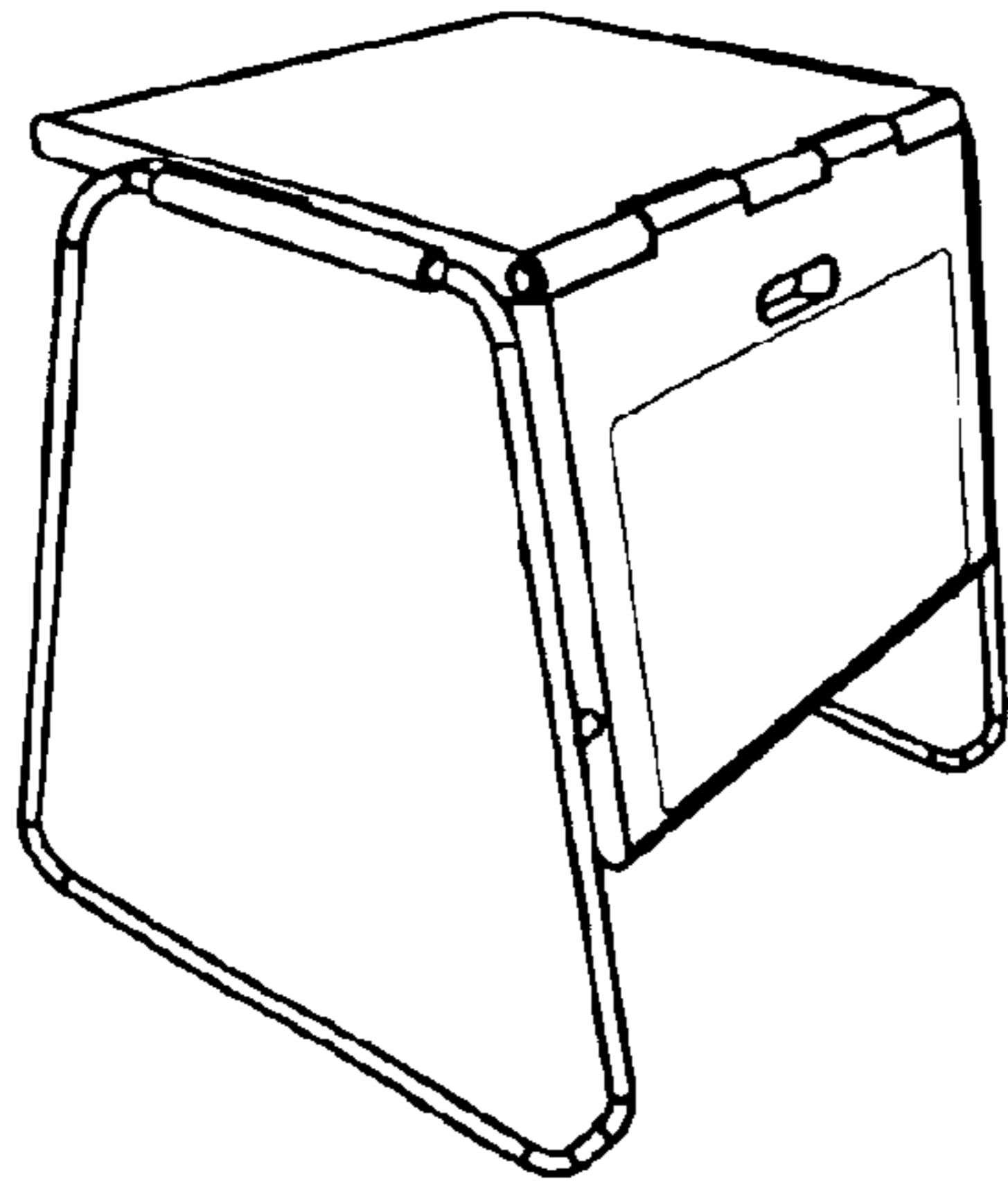


FIG. 9

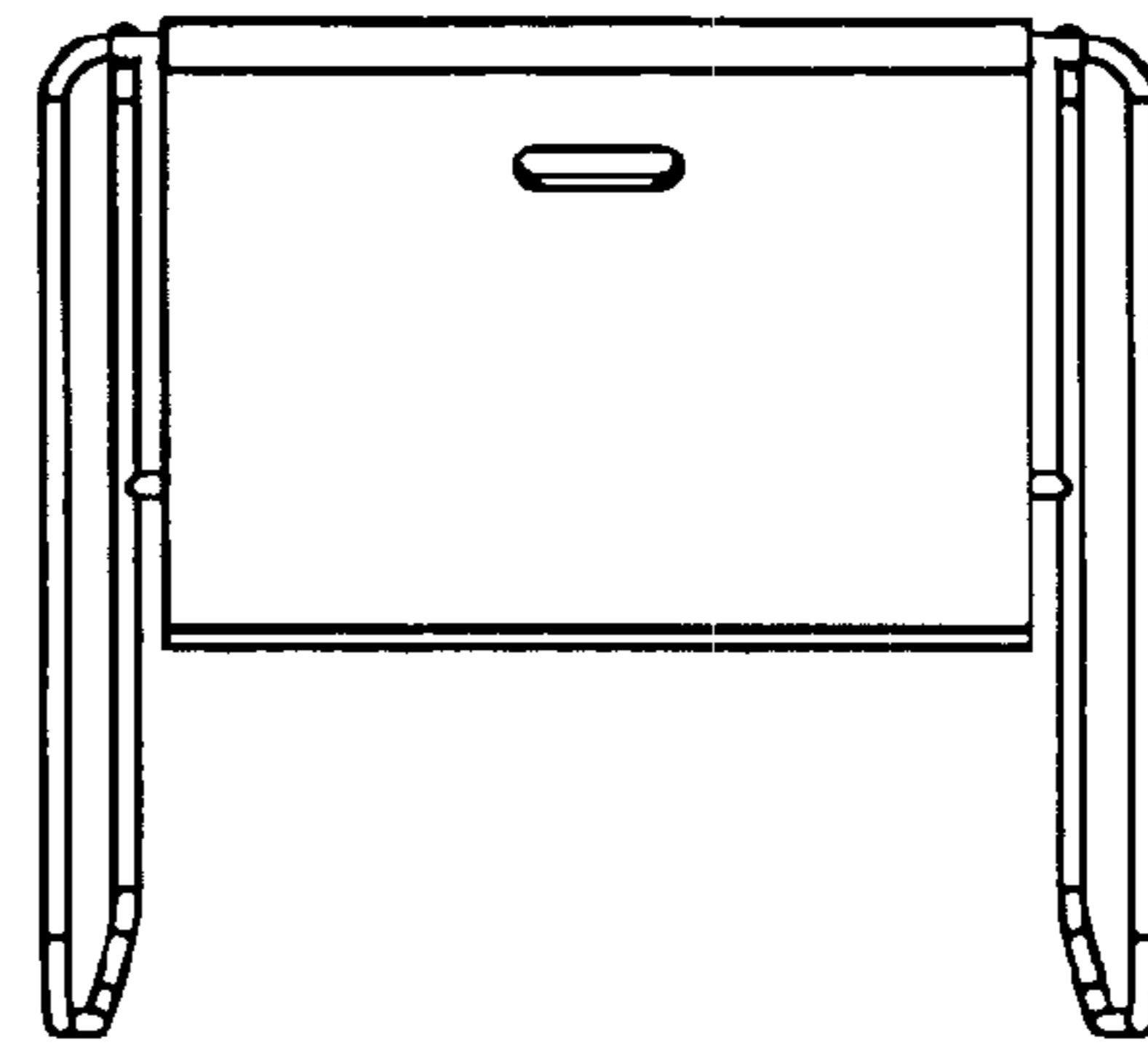


FIG. 10

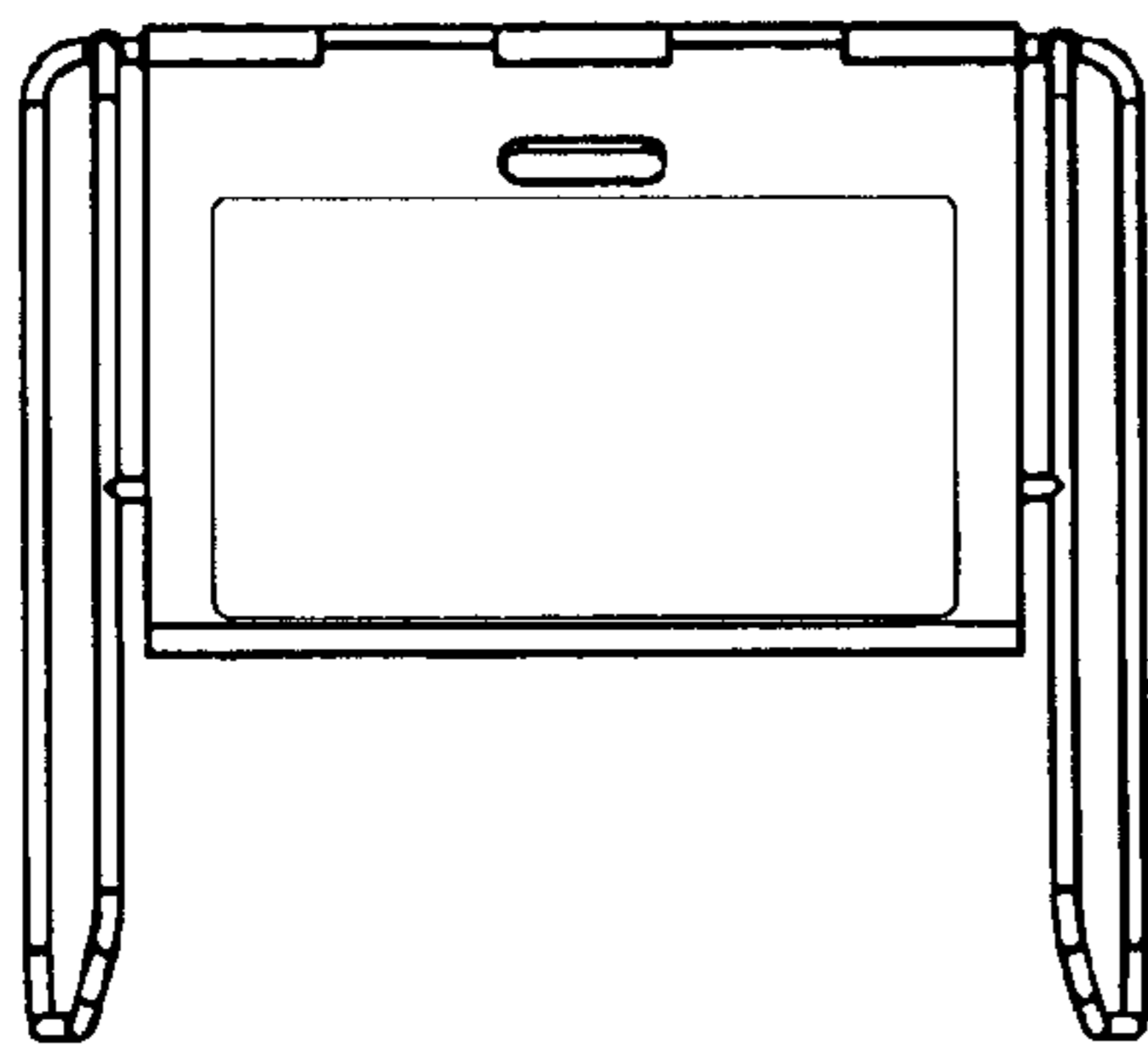


FIG. 11

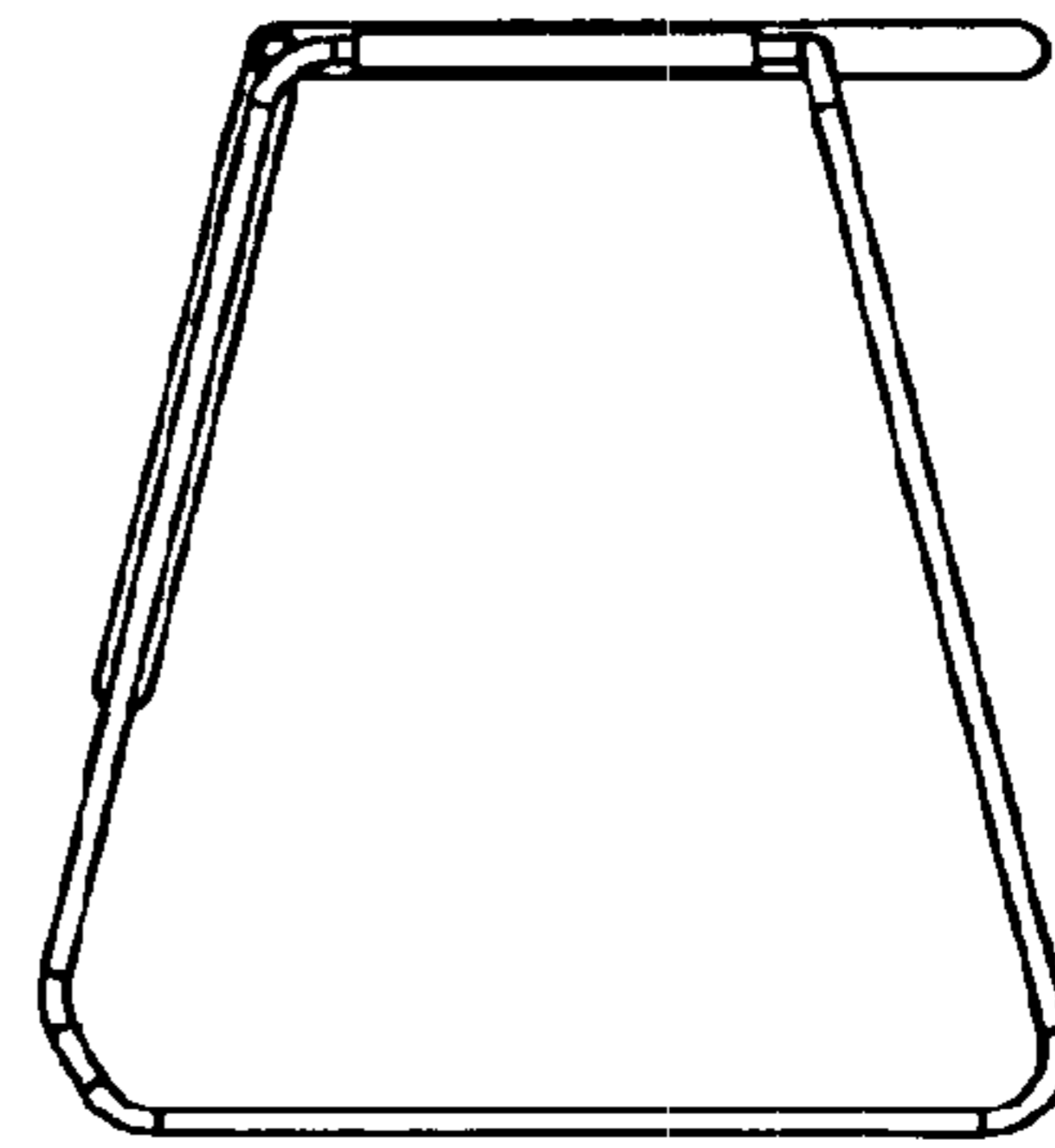


FIG. 12

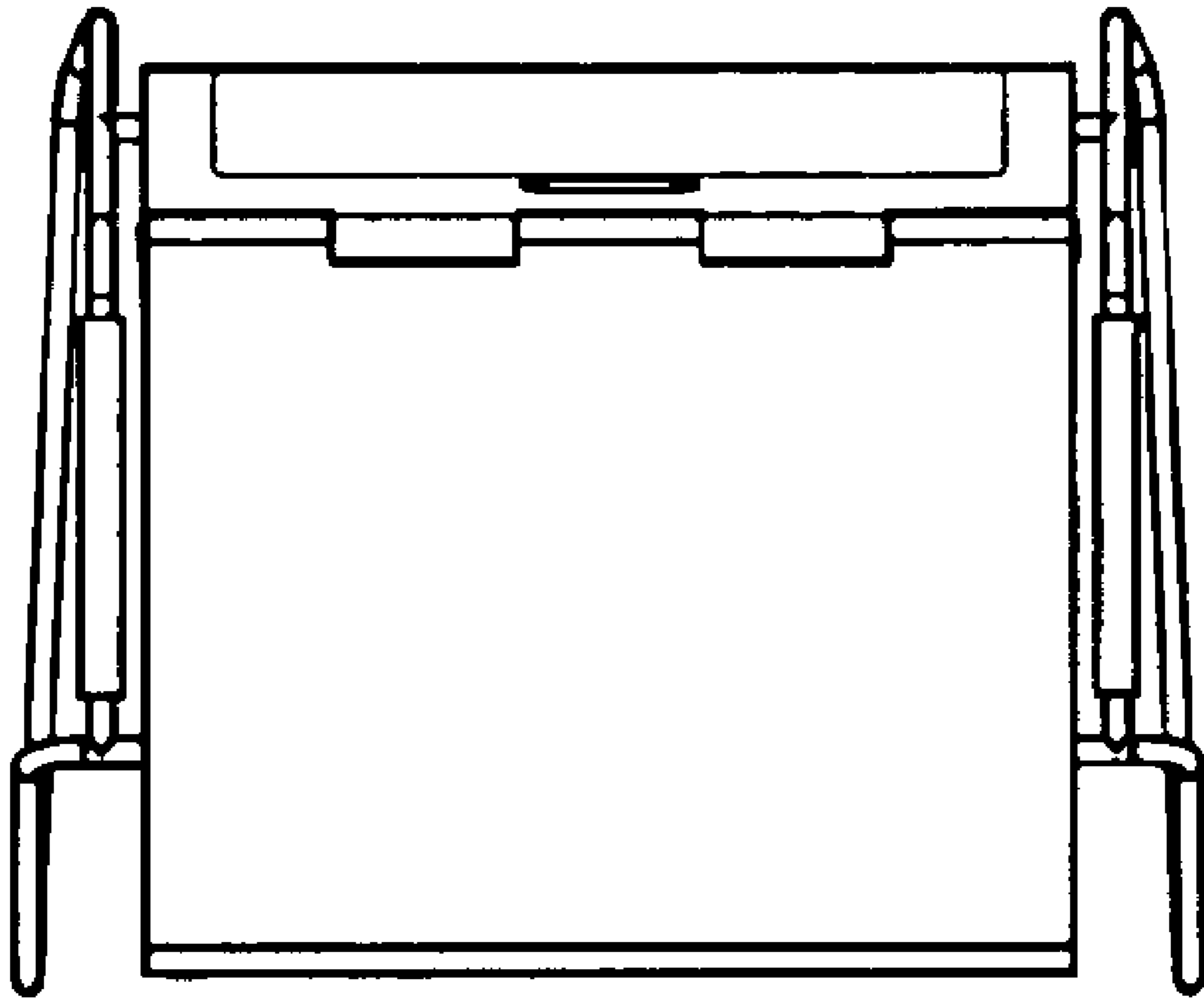


FIG. 13