

US00D504237S

(12) **United States Design Patent**  
**Mohundro**

(10) **Patent No.:** **US D504,237 S**

(45) **Date of Patent:** **\*\* Apr. 26, 2005**

(54) **MIRROR**

(75) **Inventor:** **James Glenn Mohundro, Taichung (TW)**

(73) **Assignee:** **Pacific Marketing International (H.K.), Ltd., Taichung (TW)**

(\*\*) **Term:** **14 Years**

(21) **Appl. No.:** **29/203,357**

(22) **Filed:** **Apr. 14, 2004**

(51) **LOC (7) Cl.** ..... **06-07**

(52) **U.S. Cl.** ..... **D6/300**

(58) **Field of Search** ..... D6/300-314, 444,  
D6/321, 568; 40/700, 711, 714, 715, 716,  
719, 720, 721, 722, 735, 738, 744, 745,  
754, 765, 768, 769, 790, 798, 597; D20/29-32,  
10; D11/131-135; 359/838, 871, 872; 248/466,  
467

(56) **References Cited**

**U.S. PATENT DOCUMENTS**

D374,568 S \* 10/1996 Paus ..... D6/444

D404,223 S \* 1/1999 Bargagli-Stoffi ..... D6/444  
D407,904 S \* 4/1999 Zaidman ..... D6/300  
D498,364 S \* 11/2004 Mohundro ..... D6/300

**OTHER PUBLICATIONS**

Pennsylvania House, 16th ed., p. 130 #32-2101.\*

\* cited by examiner

*Primary Examiner*—Janice E. Seeger

*Assistant Examiner*—Sydney R. Buffalow

(74) *Attorney, Agent, or Firm*—Rosenberg, Klein & Lee

(57) **CLAIM**

The ornamental design for a mirror, as shown and described.

**DESCRIPTION**

FIG. 1 is a perspective view of a mirror, showing my new design;

FIG. 2 is a front elevational view thereof;

FIG. 3 is a rear elevational view thereof;

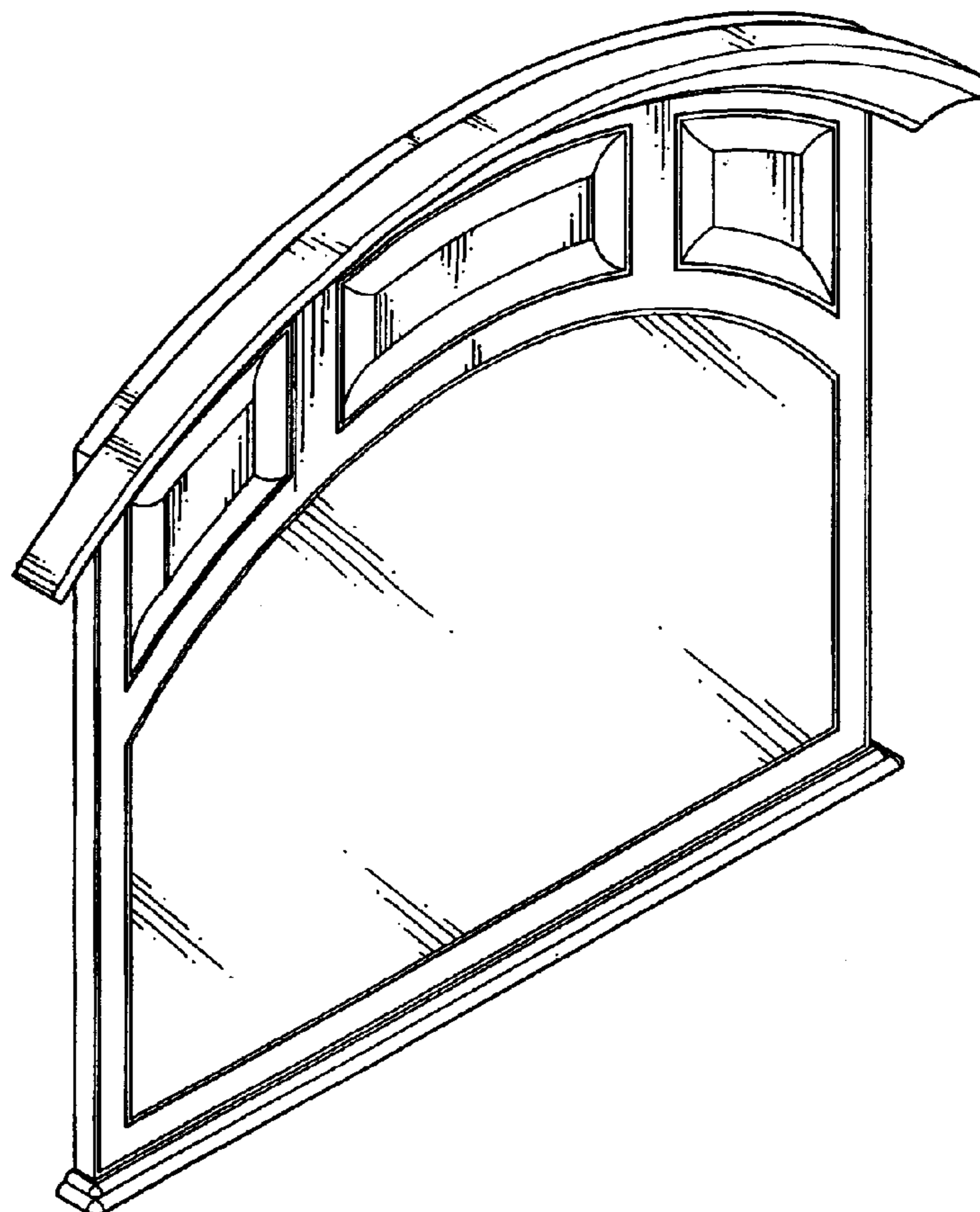
FIG. 4 is a left elevational view thereof; and

FIG. 5 is a right elevational view thereof;

FIG. 6 is a top plan view thereof; and,

FIG. 7 is a bottom plan view thereof.

**1 Claim, 5 Drawing Sheets**



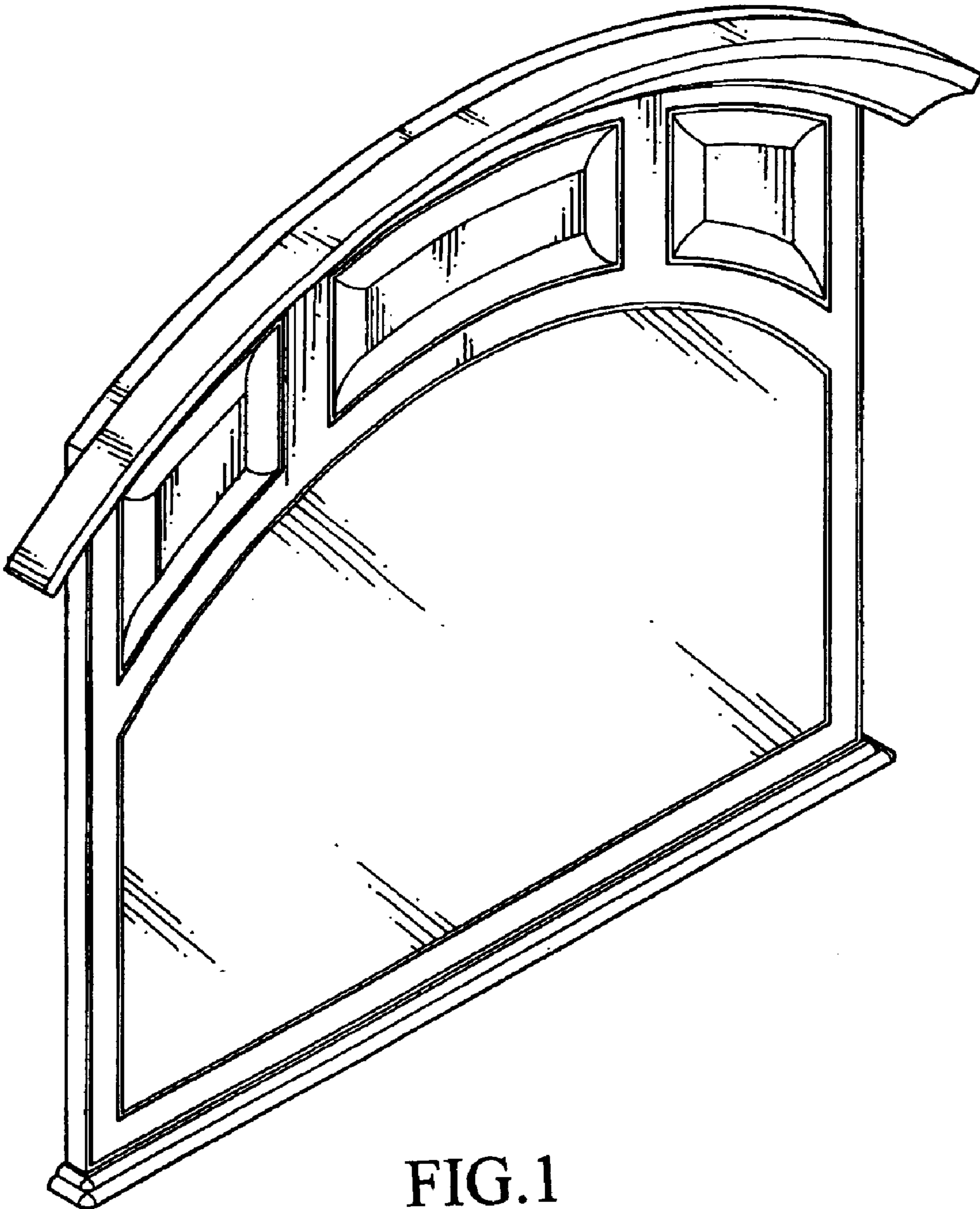


FIG. 1

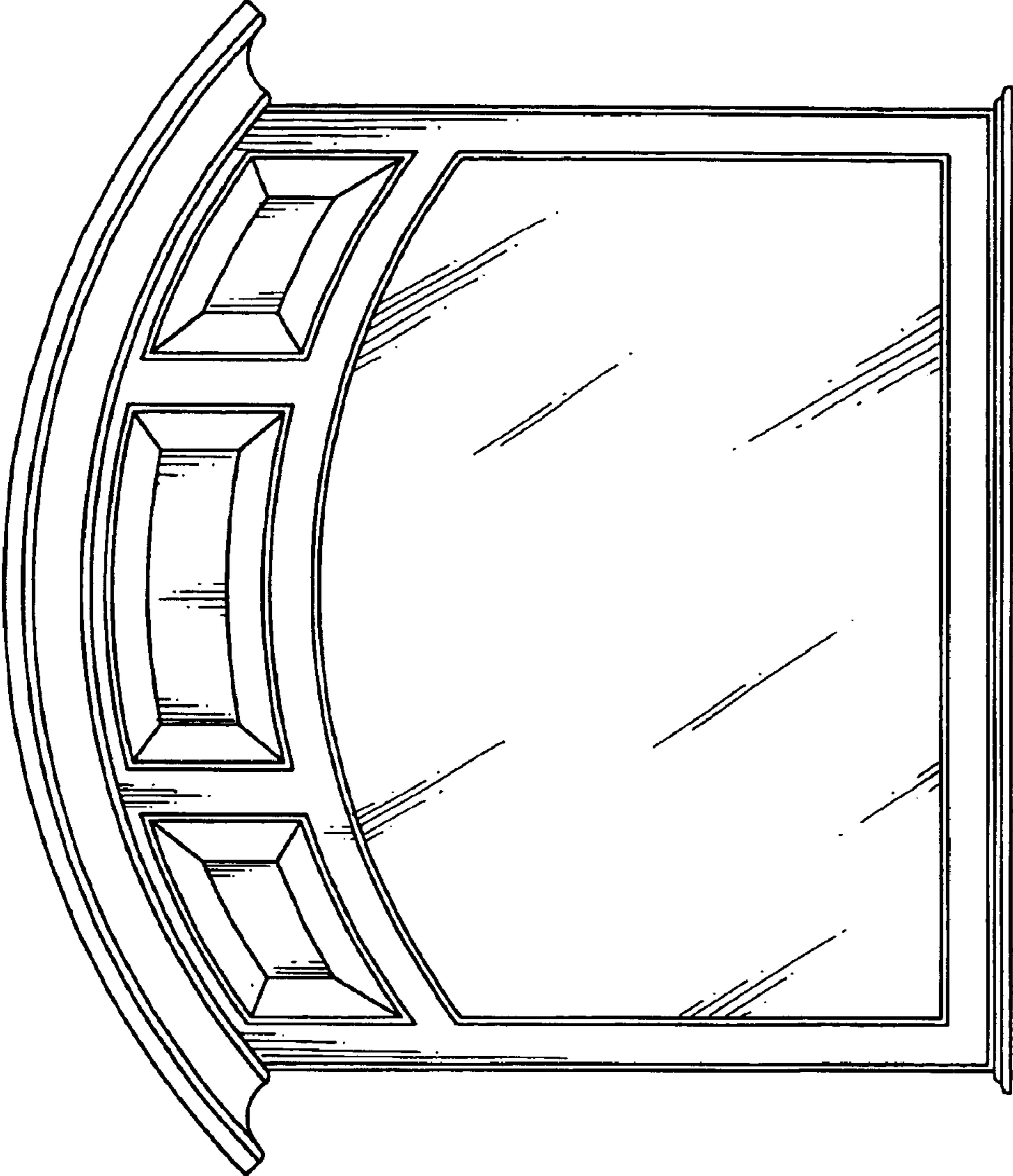


FIG.2

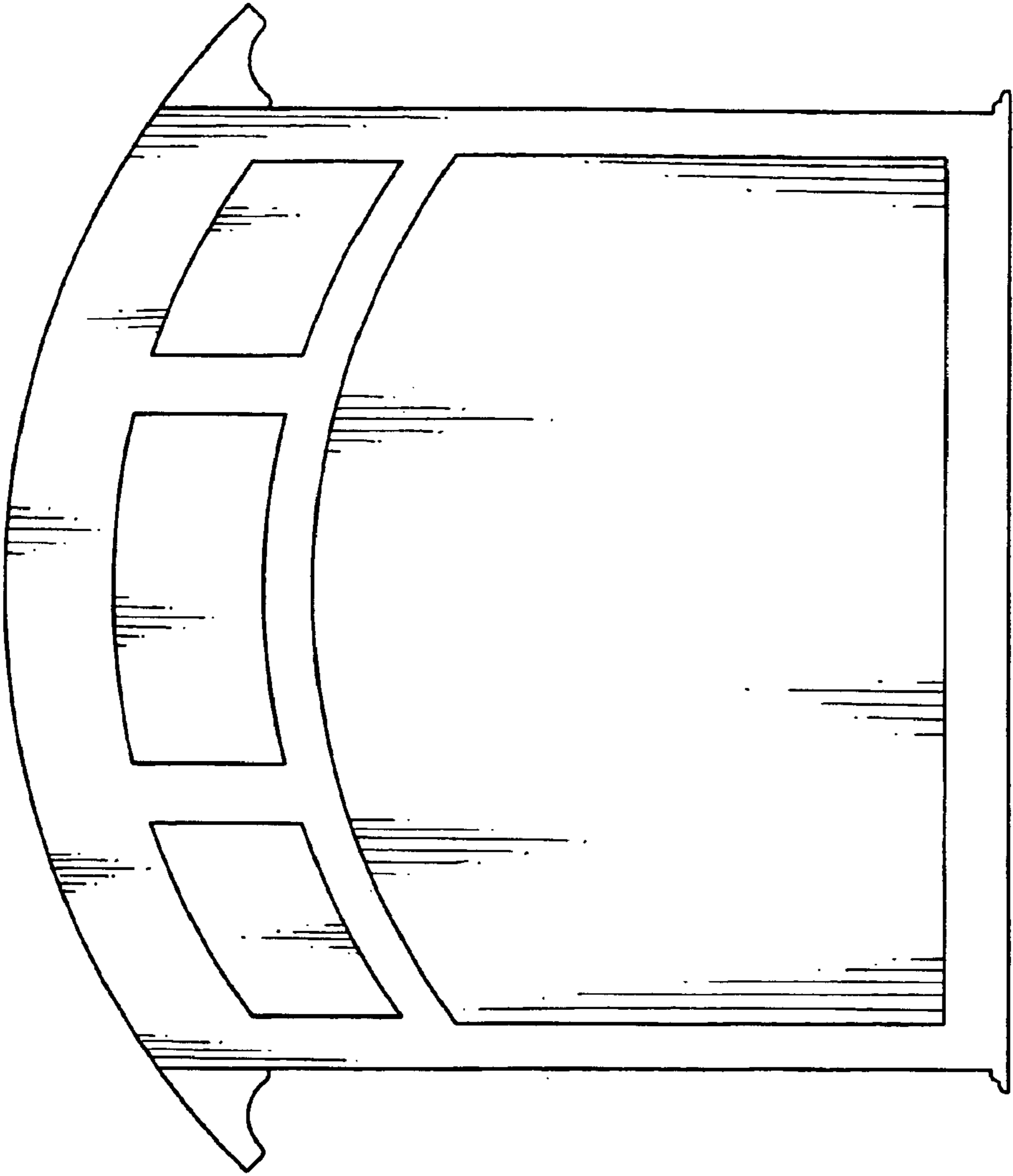


FIG.3

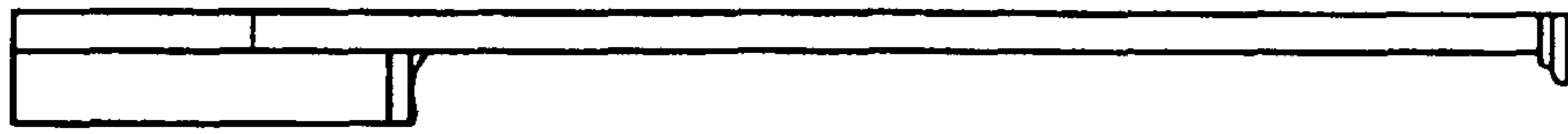


FIG. 5

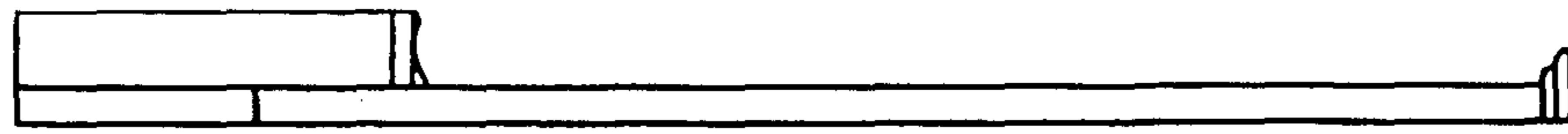


FIG. 4



FIG. 6



FIG. 7