

US00D504232S

(12) **United States Design Patent**
Chen

(10) **Patent No.:** **US D504,232 S**

(45) **Date of Patent:** **** Apr. 26, 2005**

(54) **WINDOW DISPLAY FOR A TOOLBOX**

(76) Inventor: **Kun-Chen Chen**, No. 6, Lane 609,
Sec. 1, Chung-Shan Rd., Ye-Her Li.,
Tachia Chen, Taichung Hsien (TW)

(**) Term: **14 Years**

(21) Appl. No.: **29/194,508**

(22) Filed: **Nov. 26, 2003**

Related U.S. Application Data

(63) Continuation-in-part of application No. 29/186,330, filed on
Jul. 15, 2003.

(51) **LOC (7) Cl.** **03-01**

(52) **U.S. Cl.** **D3/321**

(58) **Field of Search** D3/276, 281, 282,
D3/284, 292, 294, 295, 318, 321, 905;
D12/414.1; 211/70.6, 169; 312/283; 206/349,
372, 373, 375, 376, 378, 379, 459.5

(56) **References Cited**

U.S. PATENT DOCUMENTS

D343,731 S * 2/1994 Tsumita D3/282
D401,409 S * 11/1998 Yemini D3/281

D427,436 S * 7/2000 Chan D3/292
D459,580 S * 7/2002 Chen D3/276
D468,531 S * 1/2003 Hsu D3/282
D488,620 S * 4/2004 McAlpine et al. D3/318

* cited by examiner

Primary Examiner—Louis S. Zarfaz

Assistant Examiner—Monica A. Weingart

(74) *Attorney, Agent, or Firm*—Rosenberg, Klein & Lee

(57) **CLAIM**

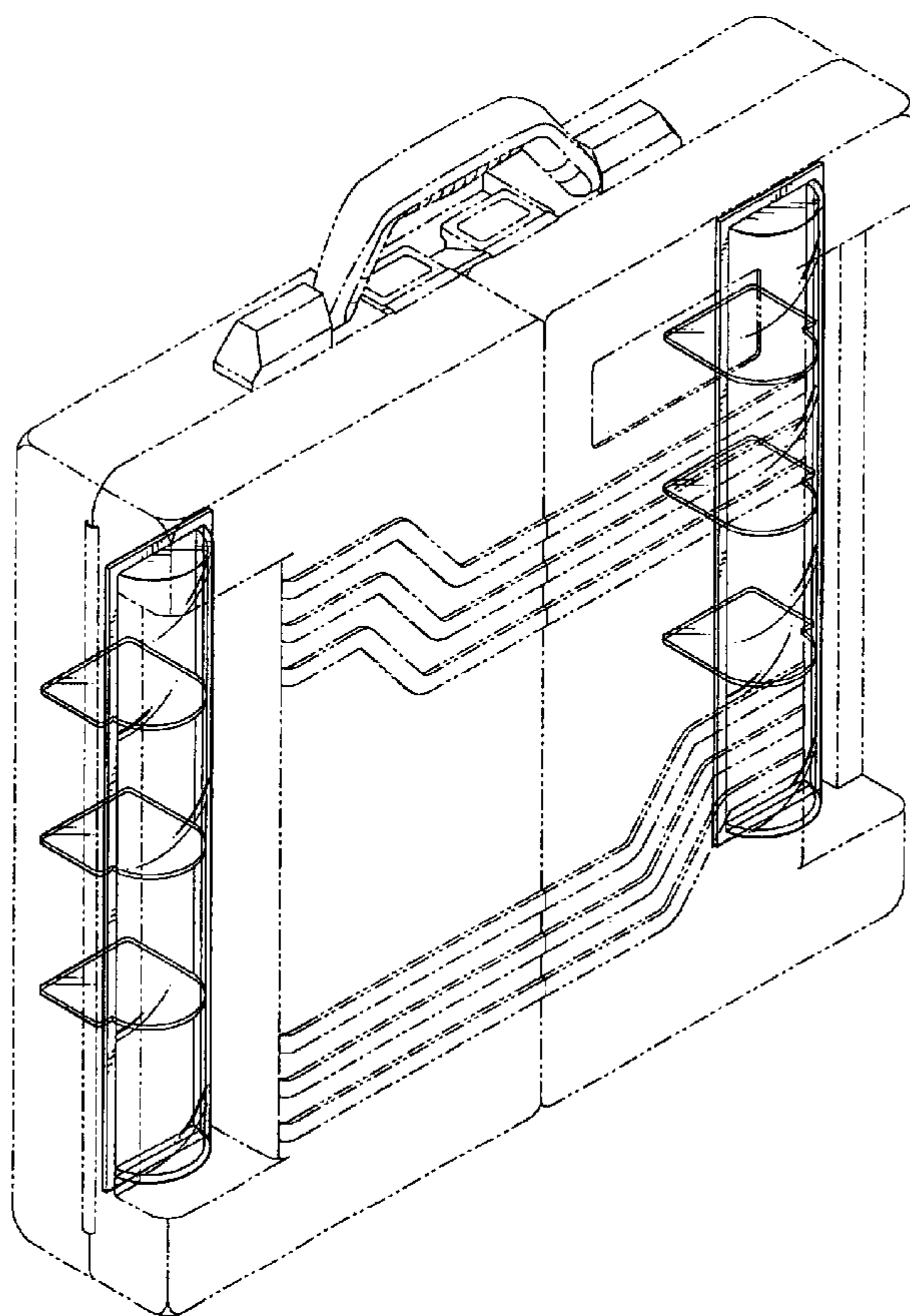
The ornamental design for a window display for a toolbox,
as shown and described.

DESCRIPTION

FIG. 1 is a perspective view of a window display for a
toolbox used with a tool box, showing my new design;
FIG. 2 is a front elevational view thereof;
FIG. 3 is a rear elevational view thereof;
FIG. 4 is a left side elevational view thereof;
FIG. 5 is a right side elevational view thereof;
FIG. 6 is a top plan view thereof; and,
FIG. 7 is a bottom plan view thereof.

The broken line showing, in the views, is for illustrative
purposes only and forms no part of the claimed design.

1 Claim, 5 Drawing Sheets



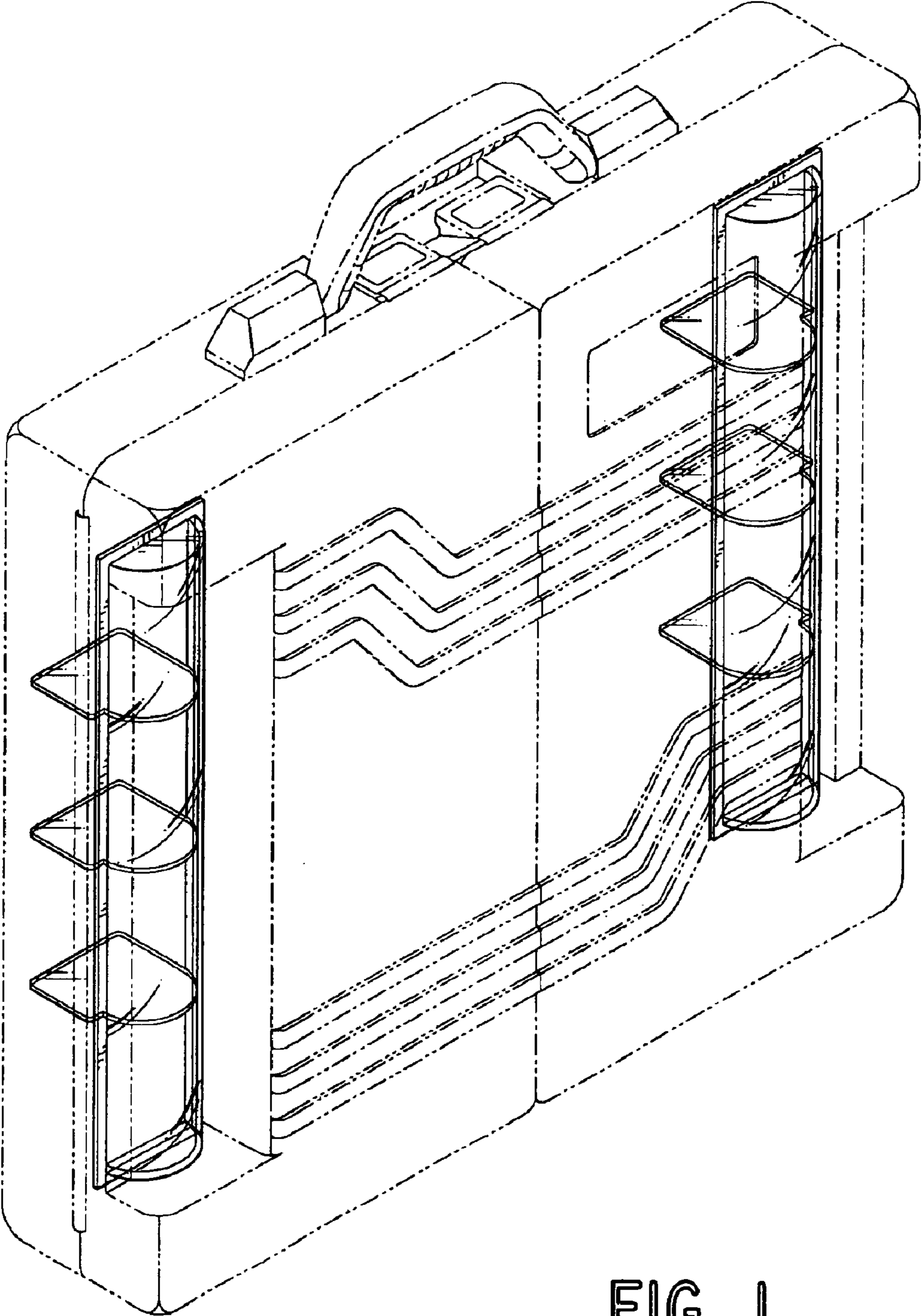


FIG. 1

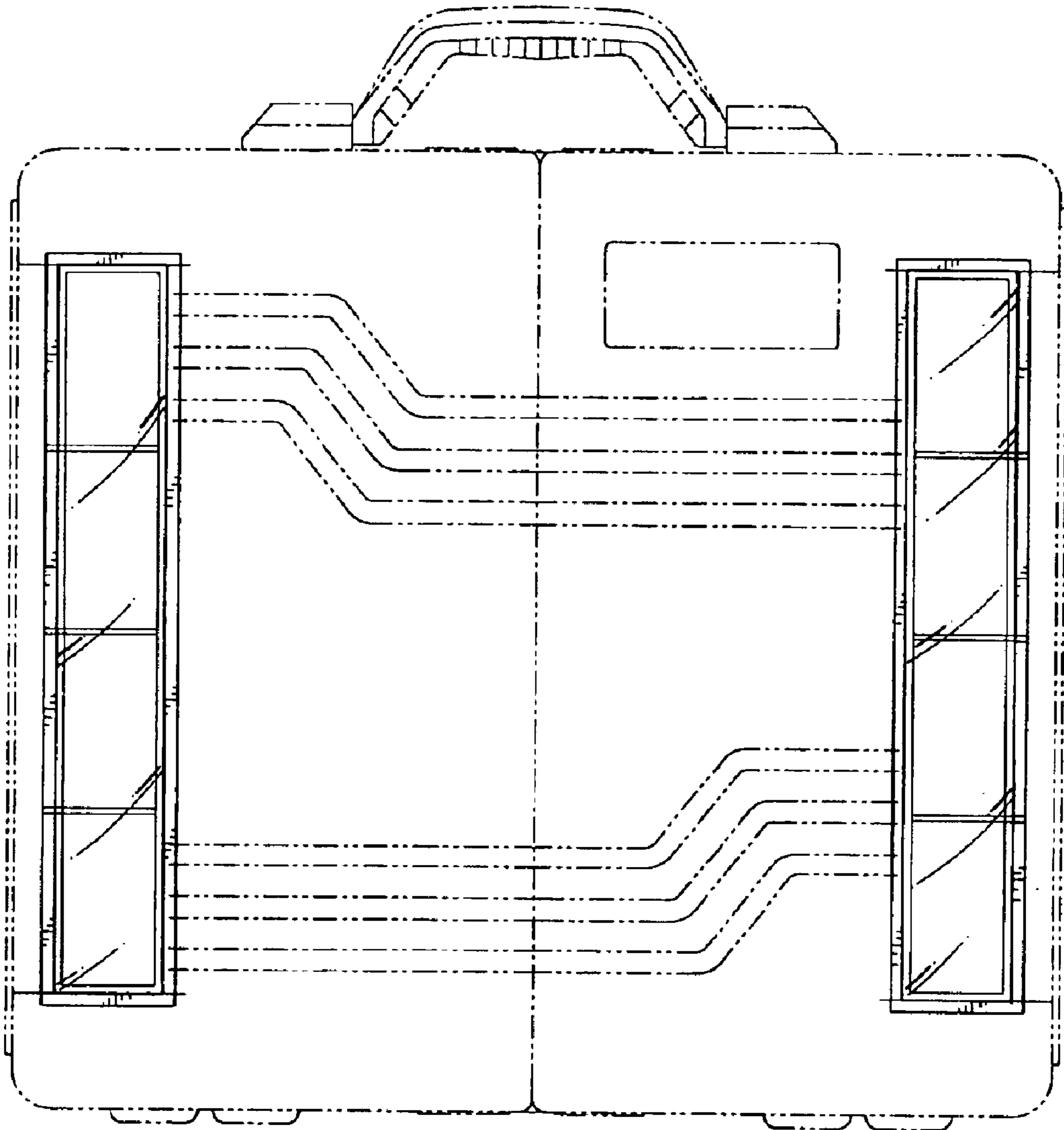


FIG. 2

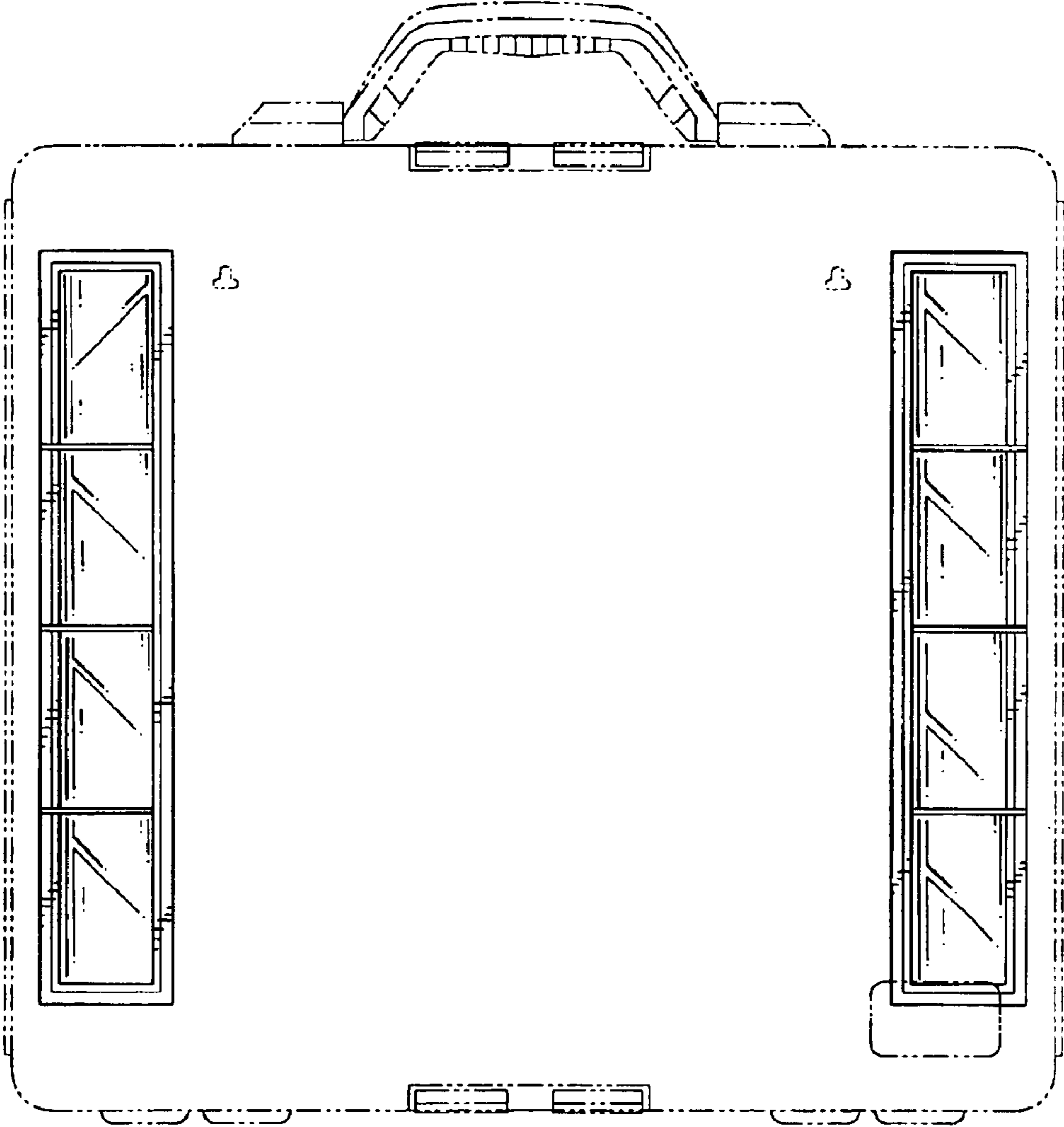


FIG. 3

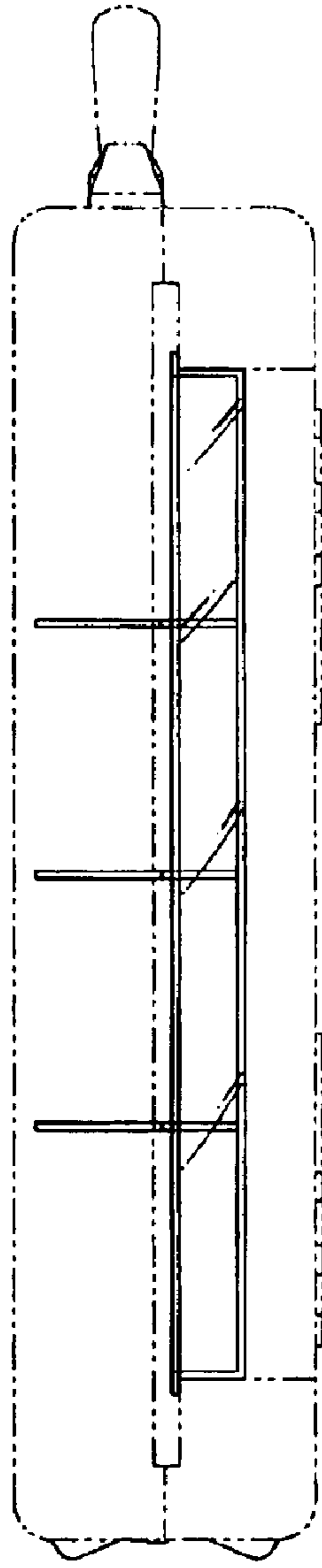


FIG. 4

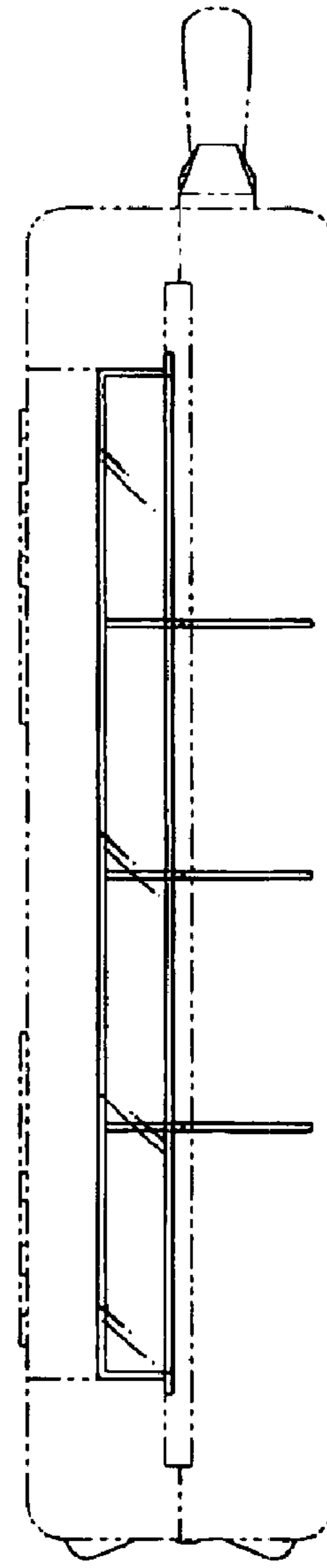


FIG. 5

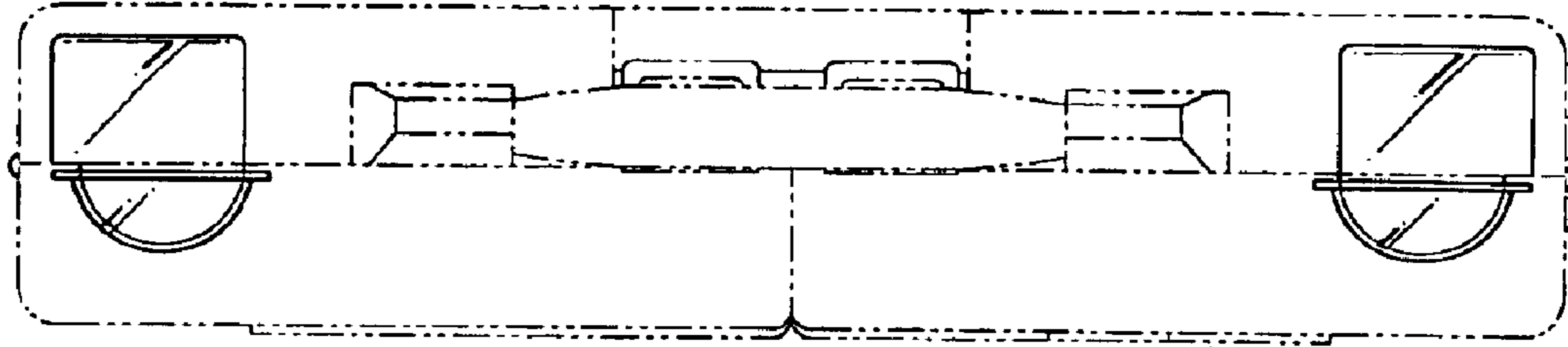


FIG. 6

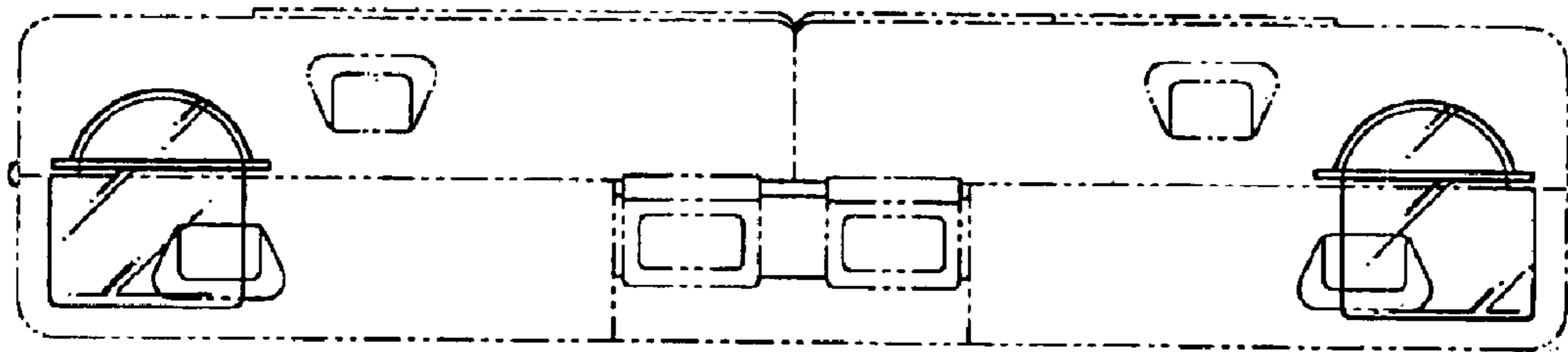


FIG. 7