

US00D504231S

(12) **United States Design Patent**
Eastman et al.

(10) **Patent No.: US D504,231 S**
(45) **Date of Patent: ** Apr. 26, 2005**

(54) **MEDIA DEPOSITORY BASE**

(75) Inventors: **Jeffery Eastman**, North Canton, OH (US); **Sean Haney**, North Canton, OH (US); **Robert Bowser**, Copley, OH (US); **Jeffrey Enright**, Akron, OH (US); **Michael Ryan**, Canton, OH (US); **William D. Beskitt**, Canton, OH (US); **Matthew Dunlap**, North Canton, OH (US); **Dale H. Blackson**, Canton, OH (US); **H. Thomas Graef**, Bolivar, OH (US)

(73) Assignee: **Diebold Self-Service Systems**, North Canton, OH (US)

(**) Term: **14 Years**

(21) Appl. No.: **29/193,170**

(22) Filed: **Nov. 4, 2003**

(51) **LOC (7) Cl.** **03-01**

(52) **U.S. Cl.** **D3/304; D3/307**

(58) **Field of Search** D3/201, 314, 304, D3/307; D19/75, 90; 312/9.1, 244; 220/752, 769, 908, DIG. 12-DIG. 14; 206/1.5, 307.1, 307, 308.2, 387.1, 387.11, 387.14, 816; D34/1

(56) **References Cited**

U.S. PATENT DOCUMENTS

3,756,383 A * 9/1973 Kryter 206/387.14

5,088,801 A * 2/1992 Rorke et al. 312/184
D327,756 S * 7/1992 Klein et al. D34/1
5,579,941 A * 12/1996 Romick 220/23.86
5,673,811 A * 10/1997 Dickinson et al. 220/812
5,797,487 A * 8/1998 Young 206/308.2
D458,429 S * 6/2002 Lenard D34/1

* cited by examiner

Primary Examiner—Louis S. Zarfaz

Assistant Examiner—John Windmuller

(74) *Attorney, Agent, or Firm*—Christopher L. Parmelee; Ralph E. Jocke; Walker & Jocke

(57) **CLAIM**

We claim the ornamental design for a media depository base, shown and described.

DESCRIPTION

FIG. 1 is a front perspective view of a media depository base showing our new design.

FIG. 2 is a back perspective view thereof.

FIG. 3 is a first side plan view thereof.

FIG. 4 is a second side plan view thereof.

FIG. 5 is a front end plan view thereof.

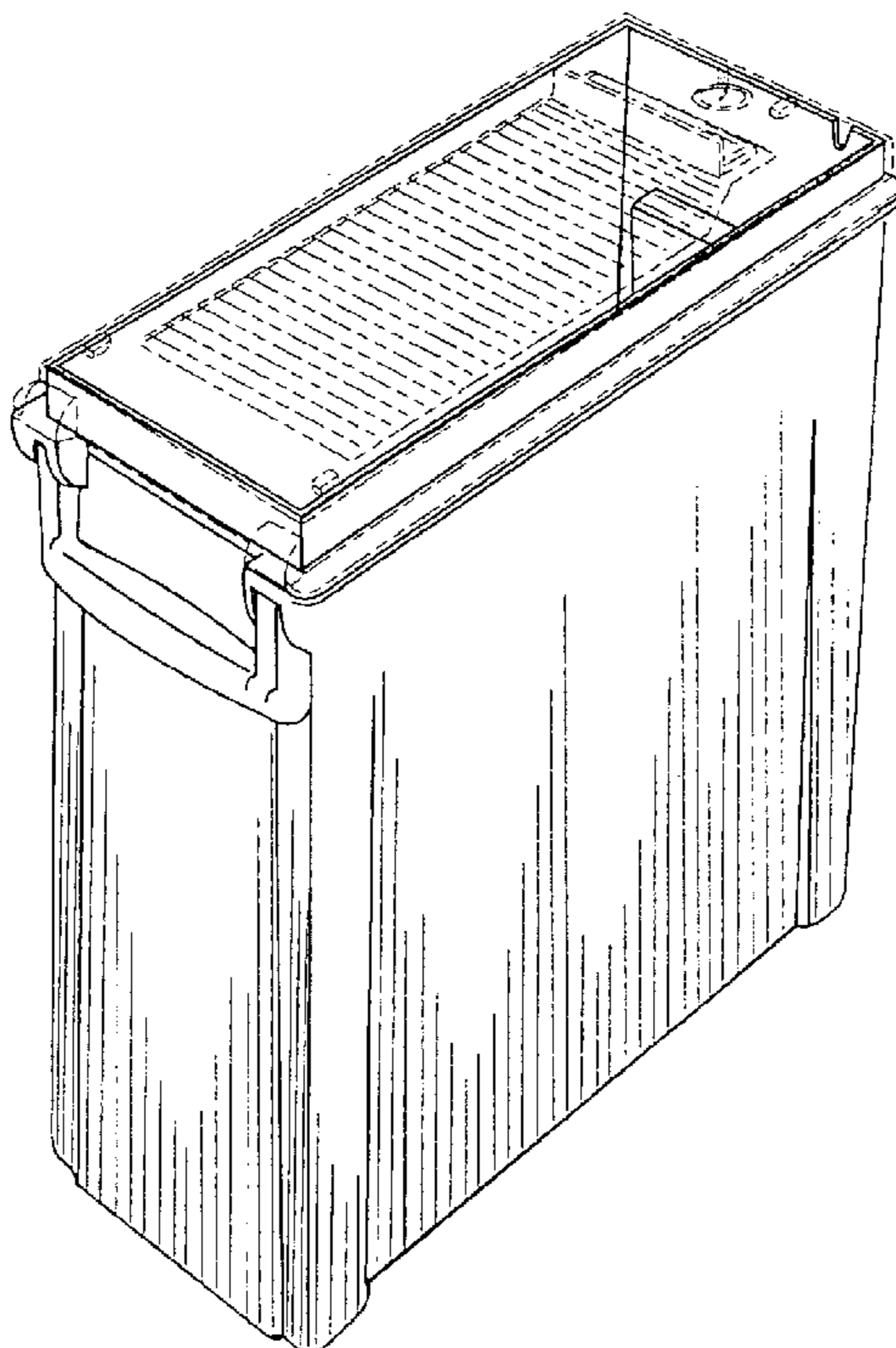
FIG. 6 is a back end plan view thereof.

FIG. 7 is a top plan view thereof; and,

FIG. 8 is a bottom plan view thereof.

The adjacent media depository top and key shown in broken lines are for illustrative purposes only and form no part of the claimed design.

1 Claim, 7 Drawing Sheets



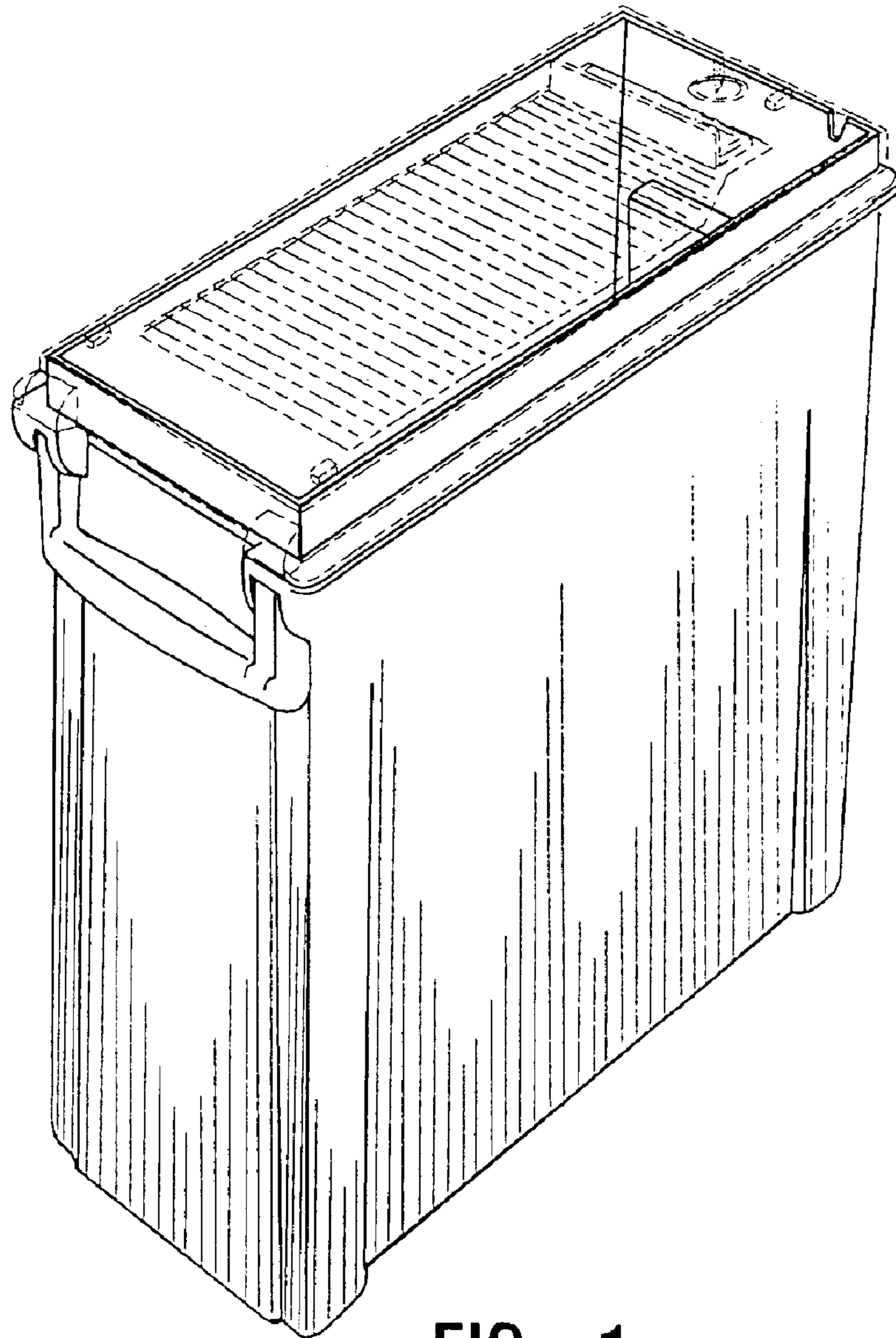


FIG. 1

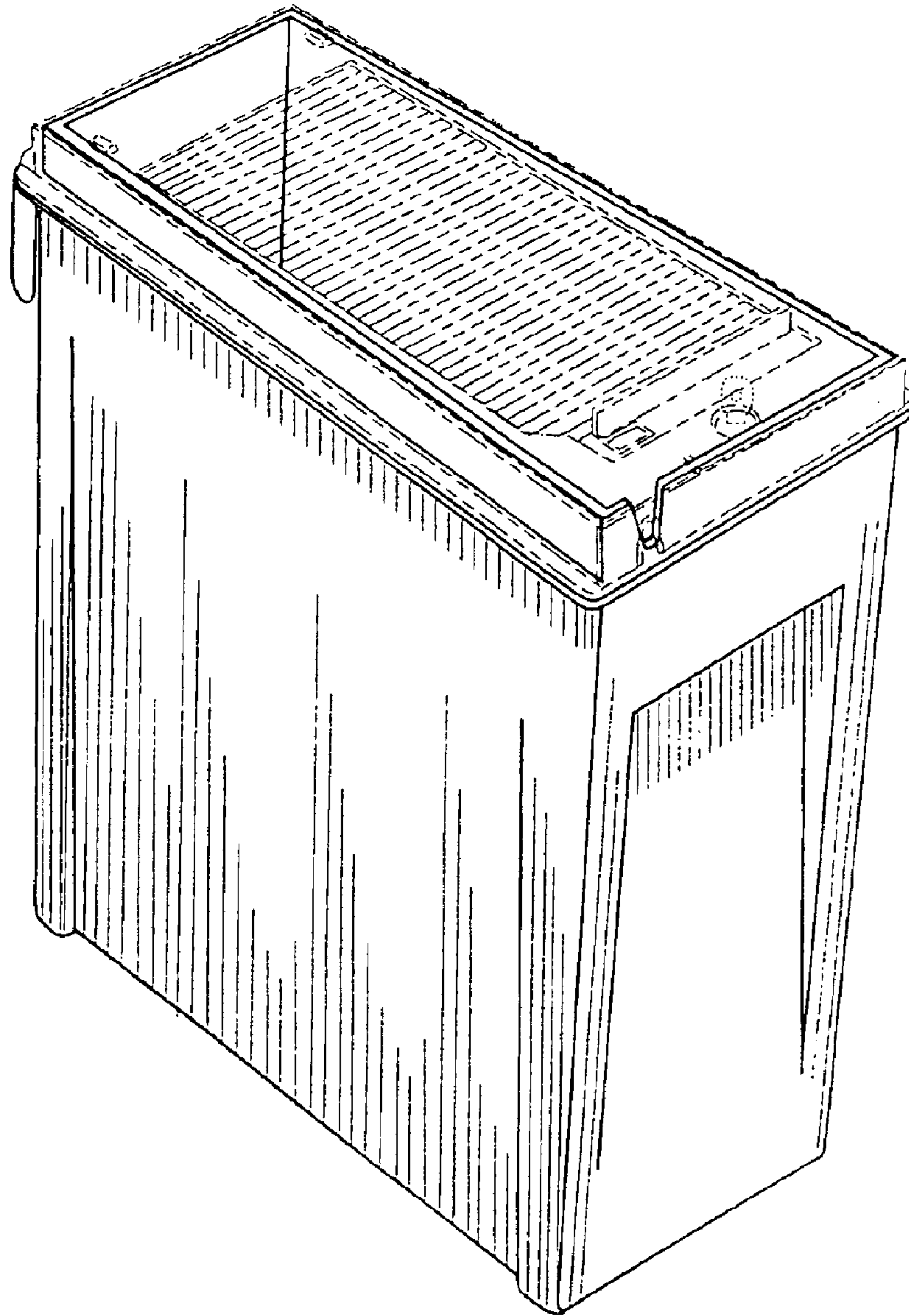


FIG. 2

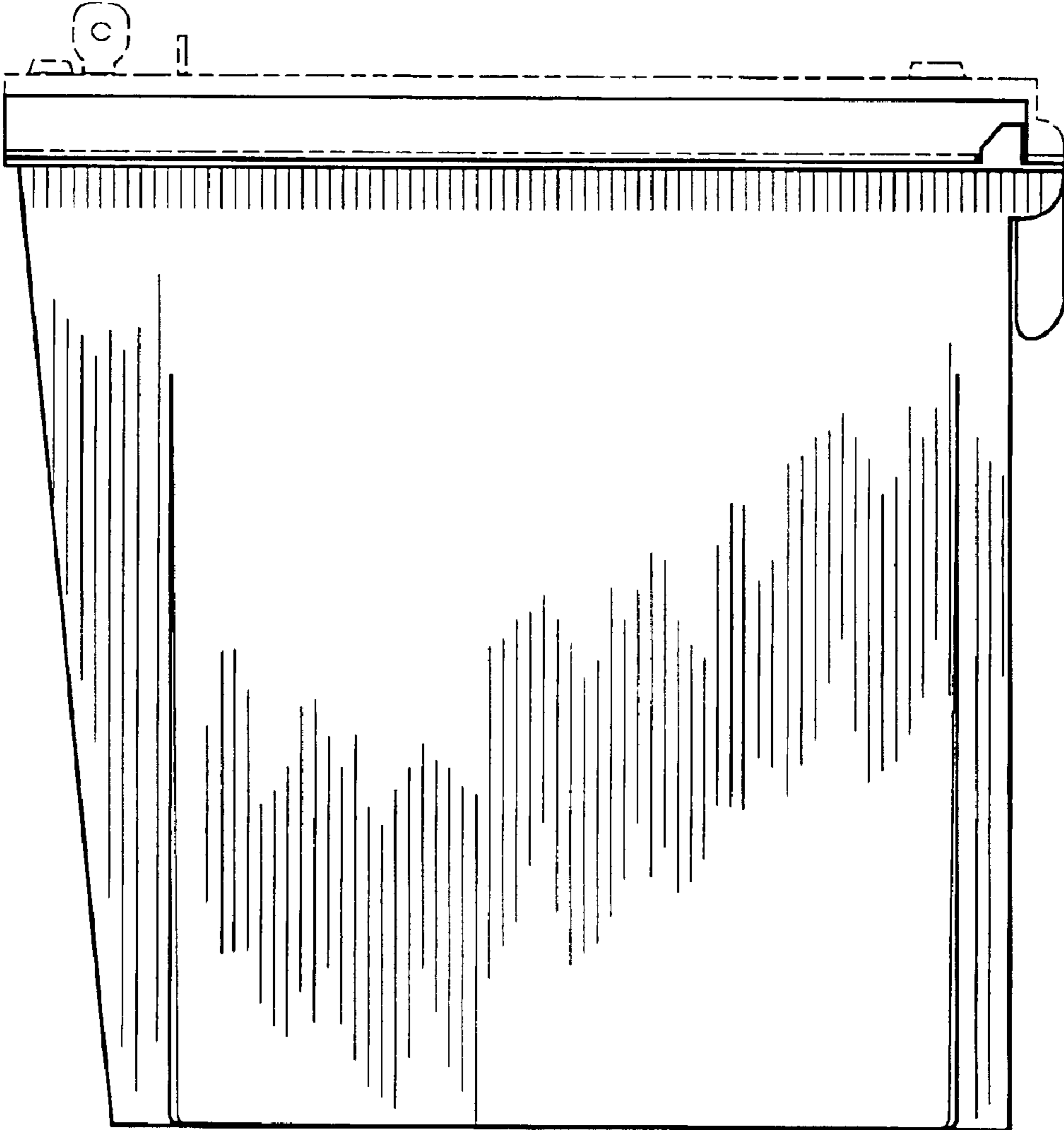


FIG. 3

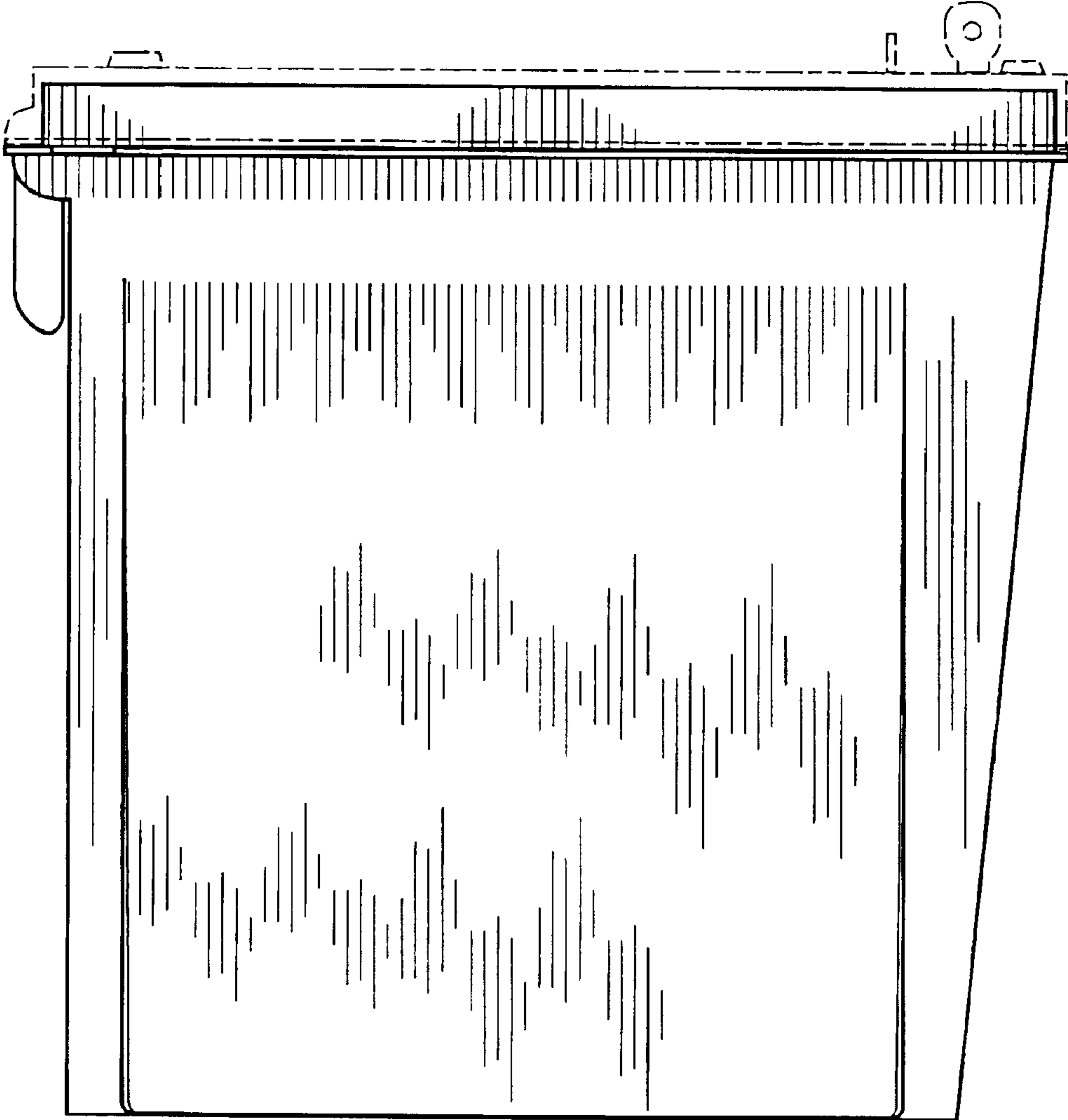


FIG. 4

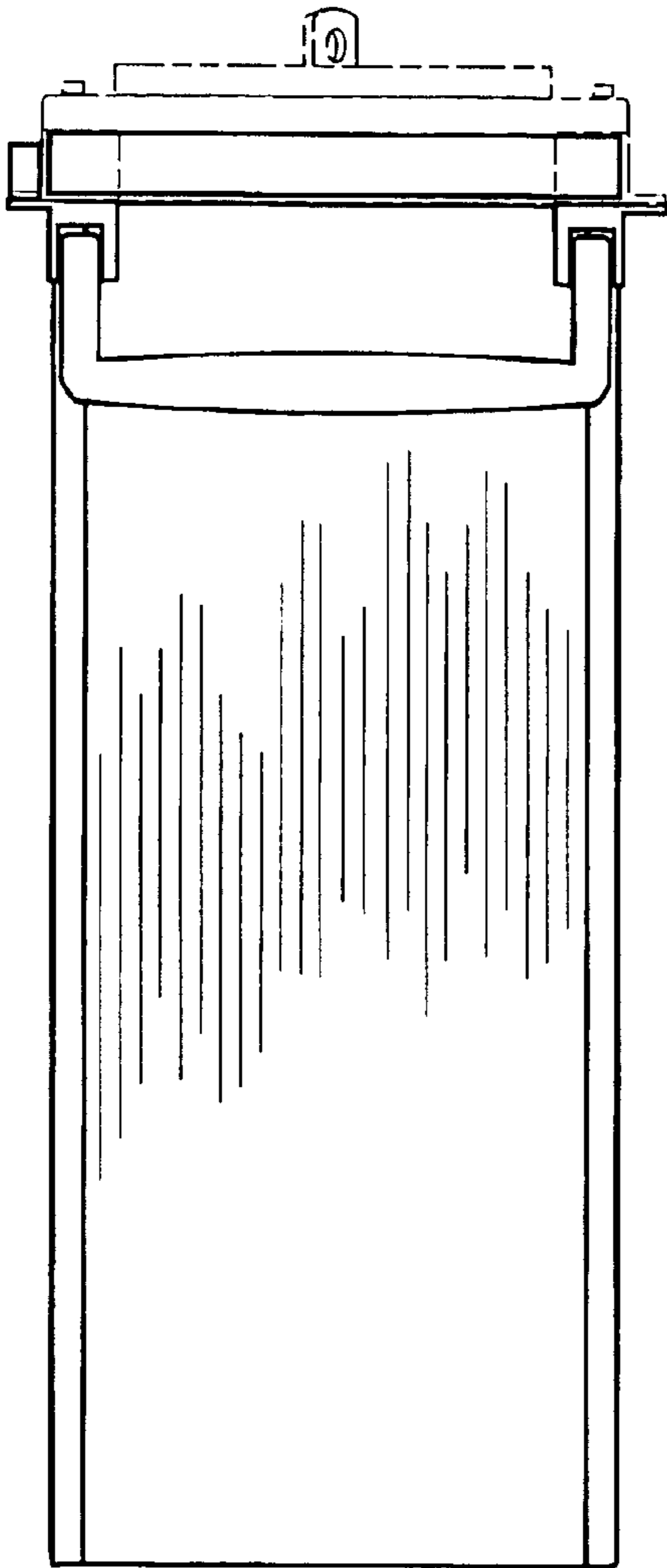


FIG. 5

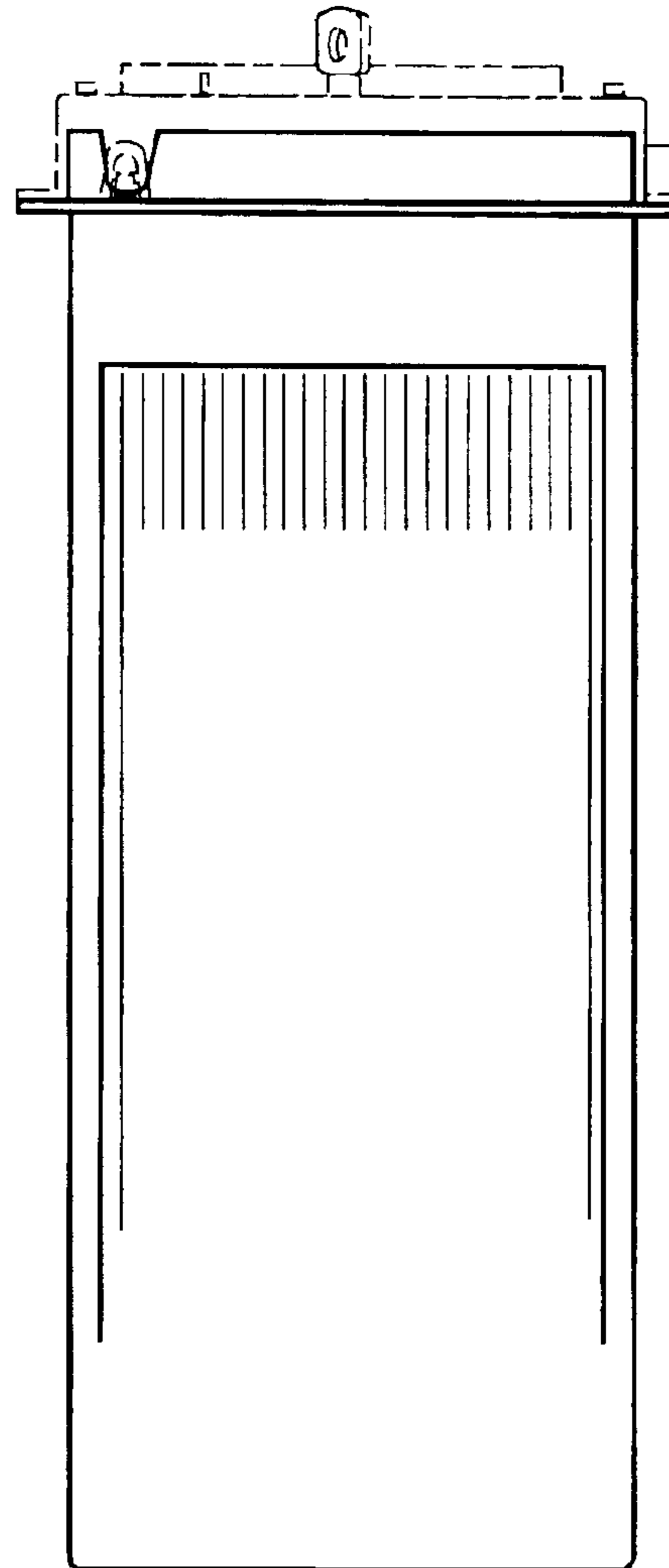


FIG. 6

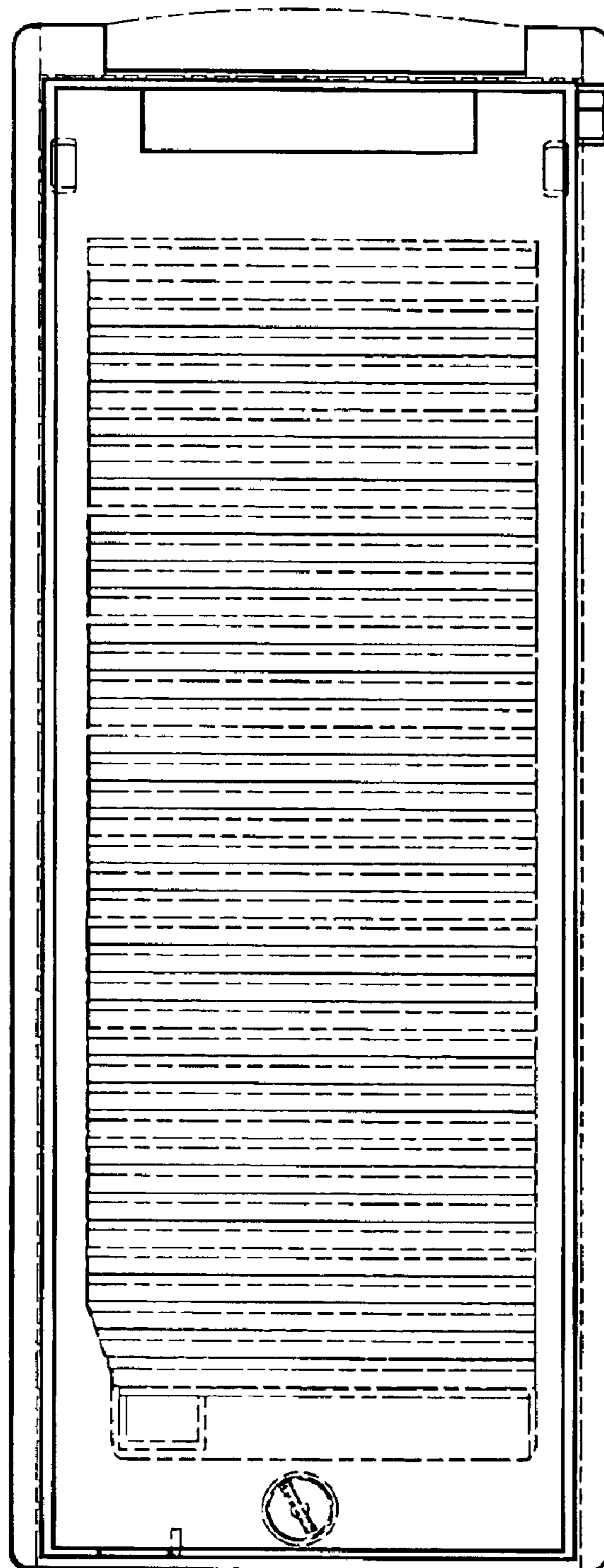


FIG. 7

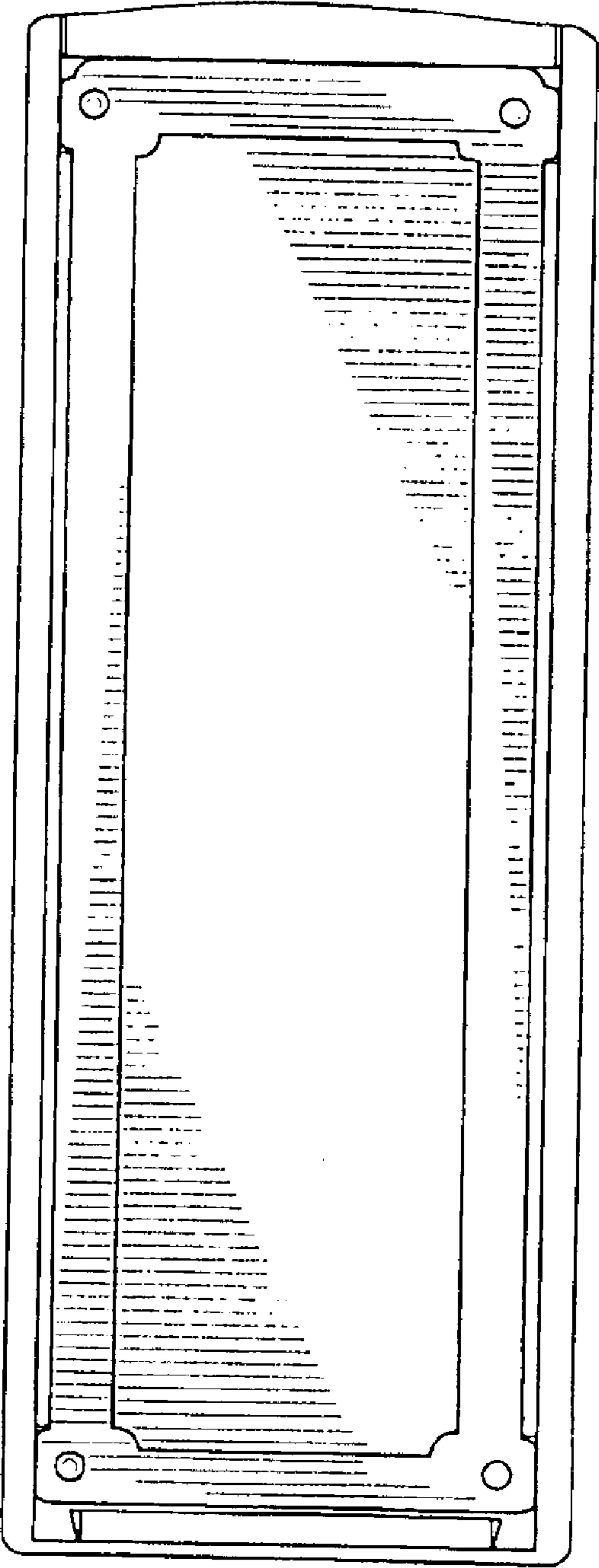


FIG. 8