

US00D504221S

(12) **United States Design Patent**
Protano

(10) **Patent No.:** **US D504,221 S**
(45) **Date of Patent:** **** Apr. 26, 2005**

(54) **UMBRELLA SUPPORTING DEVICE**

6,254,116 B1 7/2001 Szumlic et al.
6,375,146 B1 * 4/2002 Painchaud 248/541
6,471,289 B2 10/2002 Aguilar

(76) Inventor: **Helen E. Protano**, 55 Dene Dr.
Winsford, Cheshire (GB), CW7 1BL

* cited by examiner

(**) Term: **14 Years**

Primary Examiner—Robert A. Delehanty

(21) Appl. No.: **29/207,469**

(57) **CLAIM**

(22) Filed: **Jun. 15, 2004**

The ornamental design for a umbrella supporting device, as shown and described.

(51) **LOC (7) Cl.** **03-03**

(52) **U.S. Cl.** **D3/5**

(58) **Field of Search** D3/5-6, 10-17;
135/98, 15.1, 16, 20.1, 25.1, 27; 297/184.16;
D8/396; 248/514-515, 535, 541, 121, 230.1

DESCRIPTION

FIG. 1 is a front elevational view of an umbrella supporting device showing my new design;
FIG. 2 is a rear elevational view thereof;
FIG. 3 is a right side elevational view thereof;
FIG. 4 is a left side elevational view thereof;
FIG. 5 is a top plan view thereof;
FIG. 6 is a bottom plan view thereof;
FIG. 7 is a partially enlarged view of FIG. 1;
FIG. 8 is a partially enlarged view of FIG. 2;
FIG. 9 is a partially enlarged view of FIG. 3;
FIG. 10 is a partially enlarged view of FIG. 4;
FIG. 11 is a partially enlarged view of FIG. 6; and,
FIG. 12 is a partially enlarged top plan view of FIG. 1.

(56) **References Cited**

U.S. PATENT DOCUMENTS

3,050,280 A	8/1962	Regan	
3,765,434 A	10/1973	Riggs	
3,904,161 A	9/1975	Scott	
4,919,379 A	4/1990	Goetz	
5,669,536 A	* 9/1997	Wang 248/230.1
5,836,327 A	11/1998	Davis	
5,878,762 A	* 3/1999	Huang 248/121
5,896,880 A	4/1999	Bushweller et al.	
D413,429 S	9/1999	Carson	
6,244,557 B1	6/2001	Maze	

1 Claim, 8 Drawing Sheets

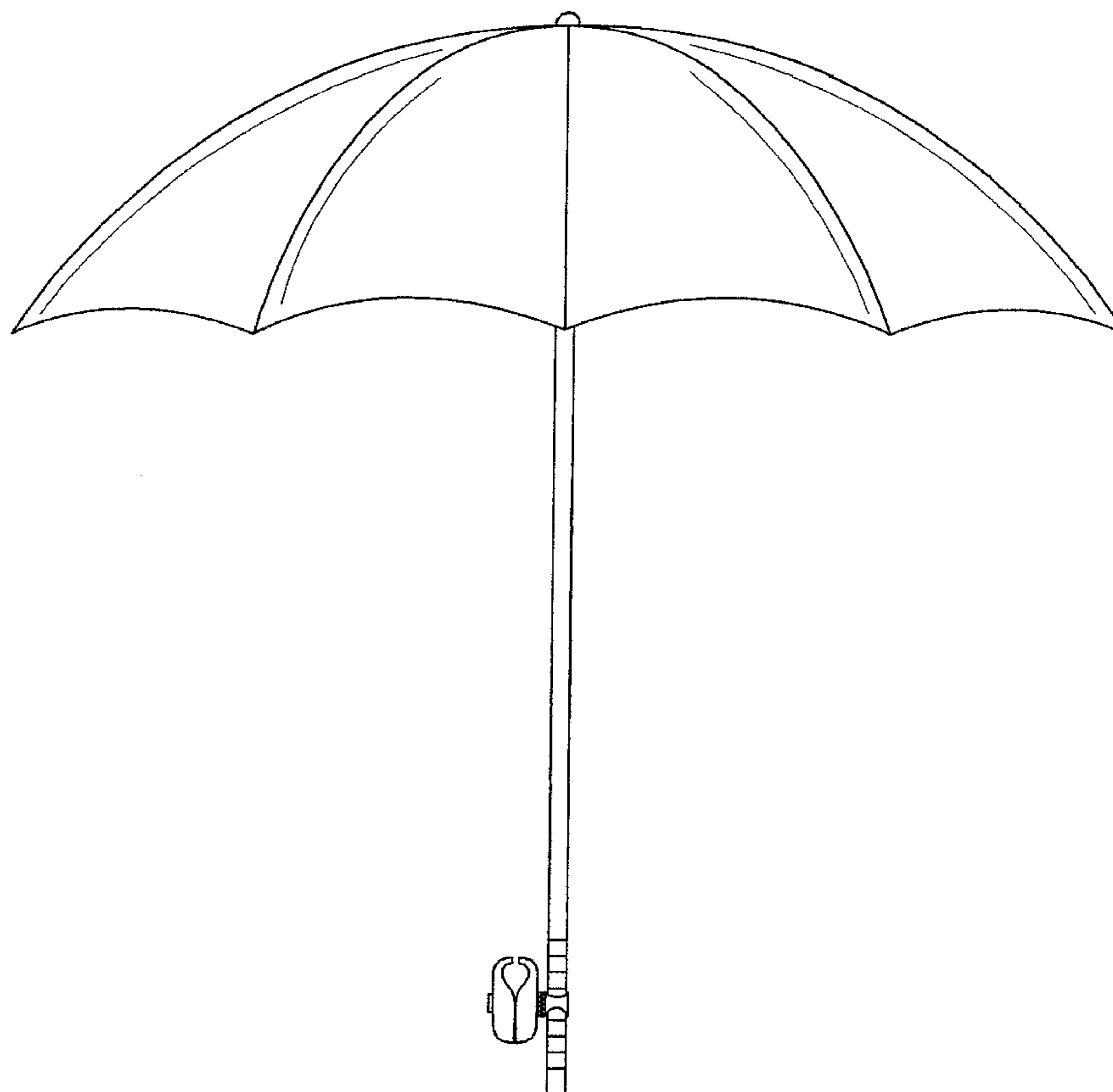




FIG. 1

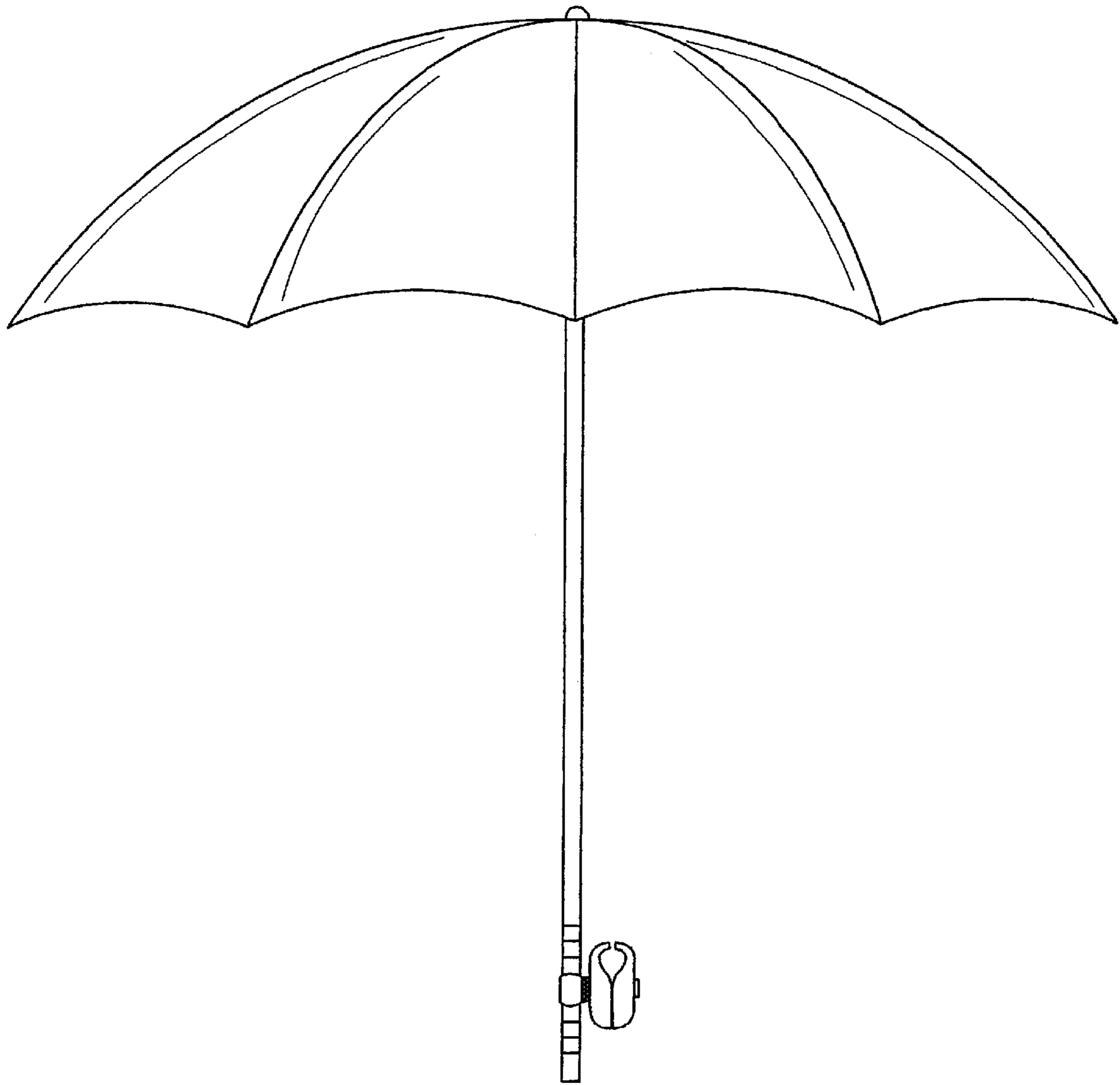


FIG. 2



FIG. 3



FIG. 4

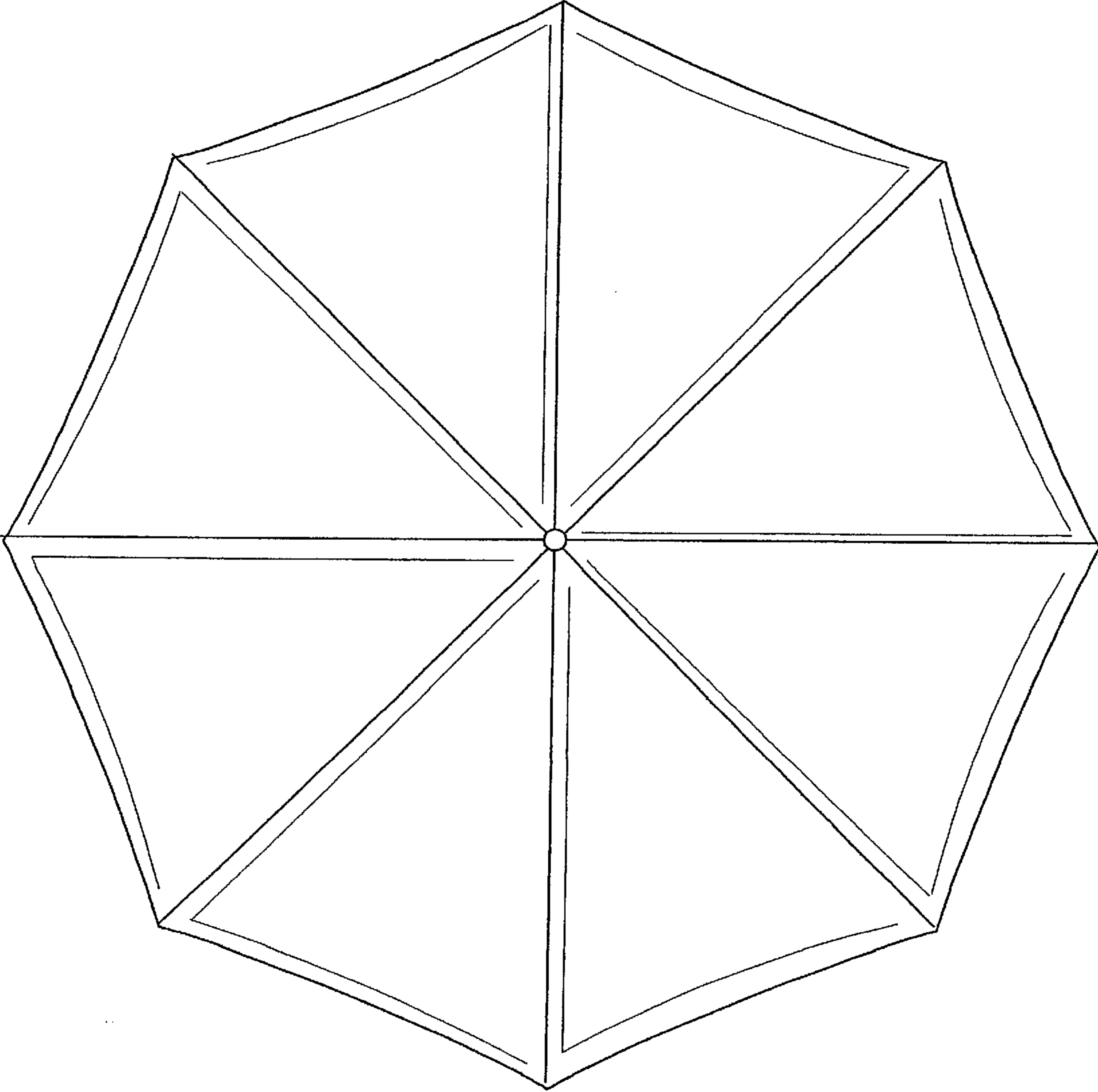


FIG. 5

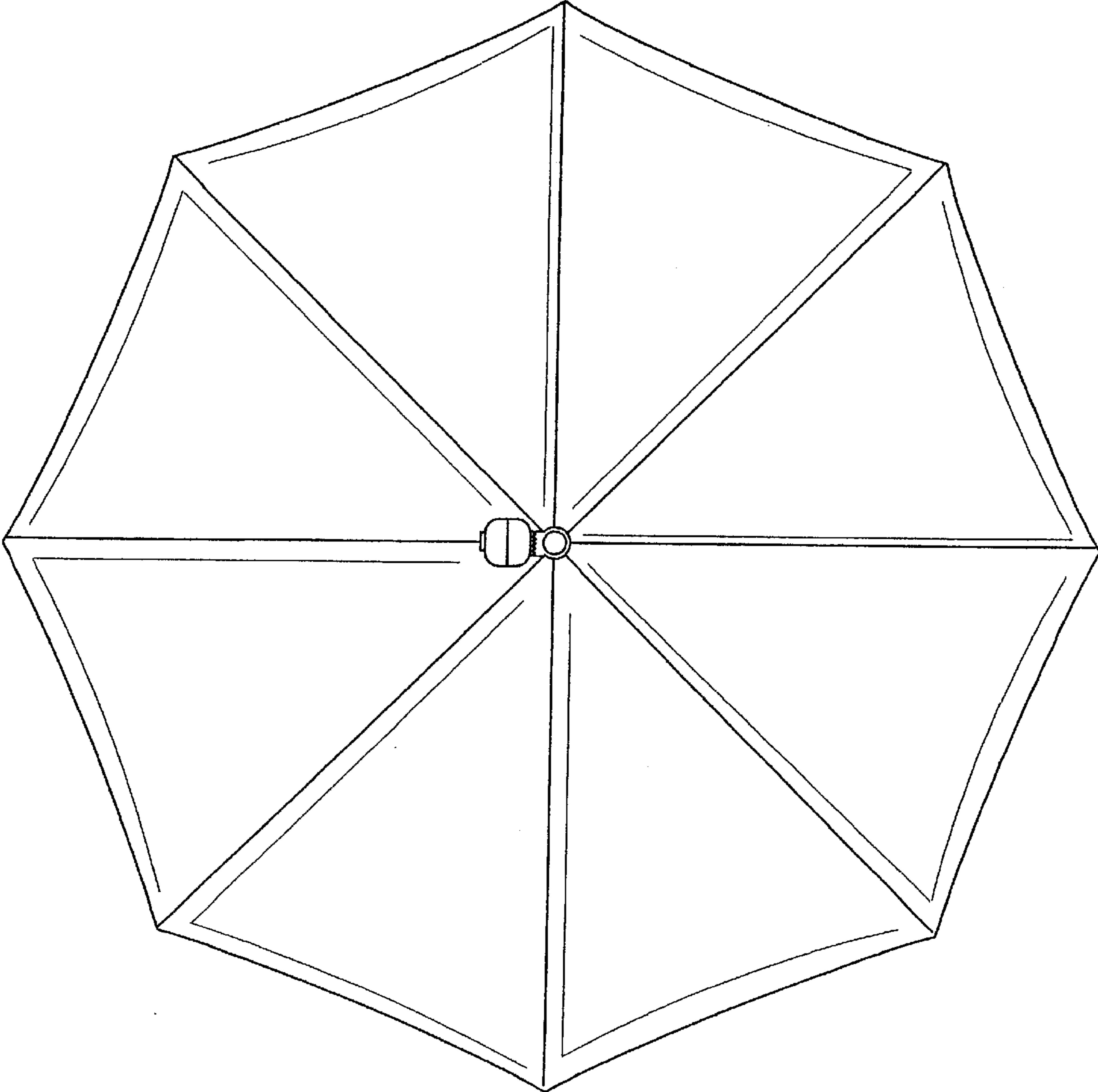


FIG. 6

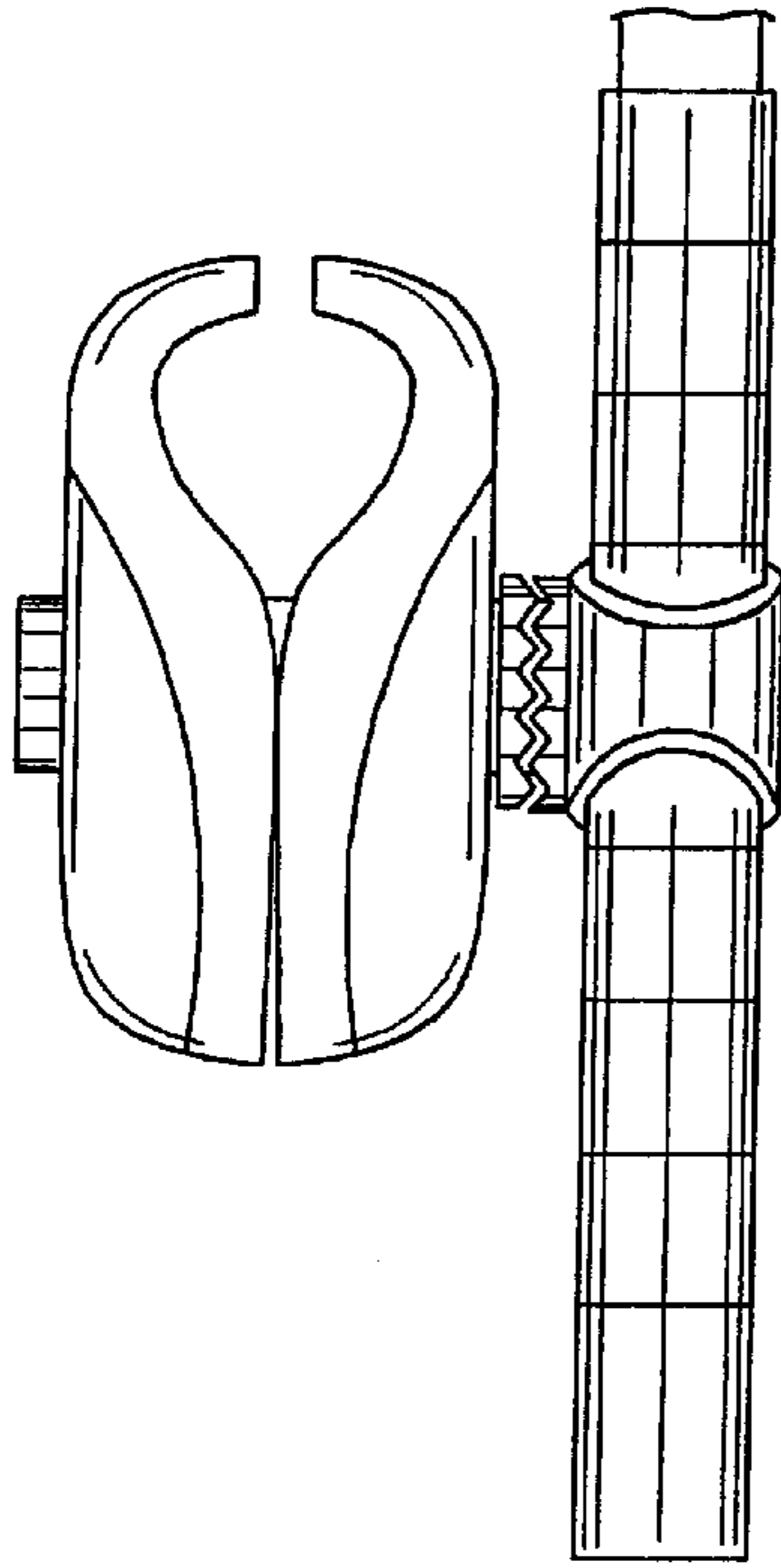


FIG. 7

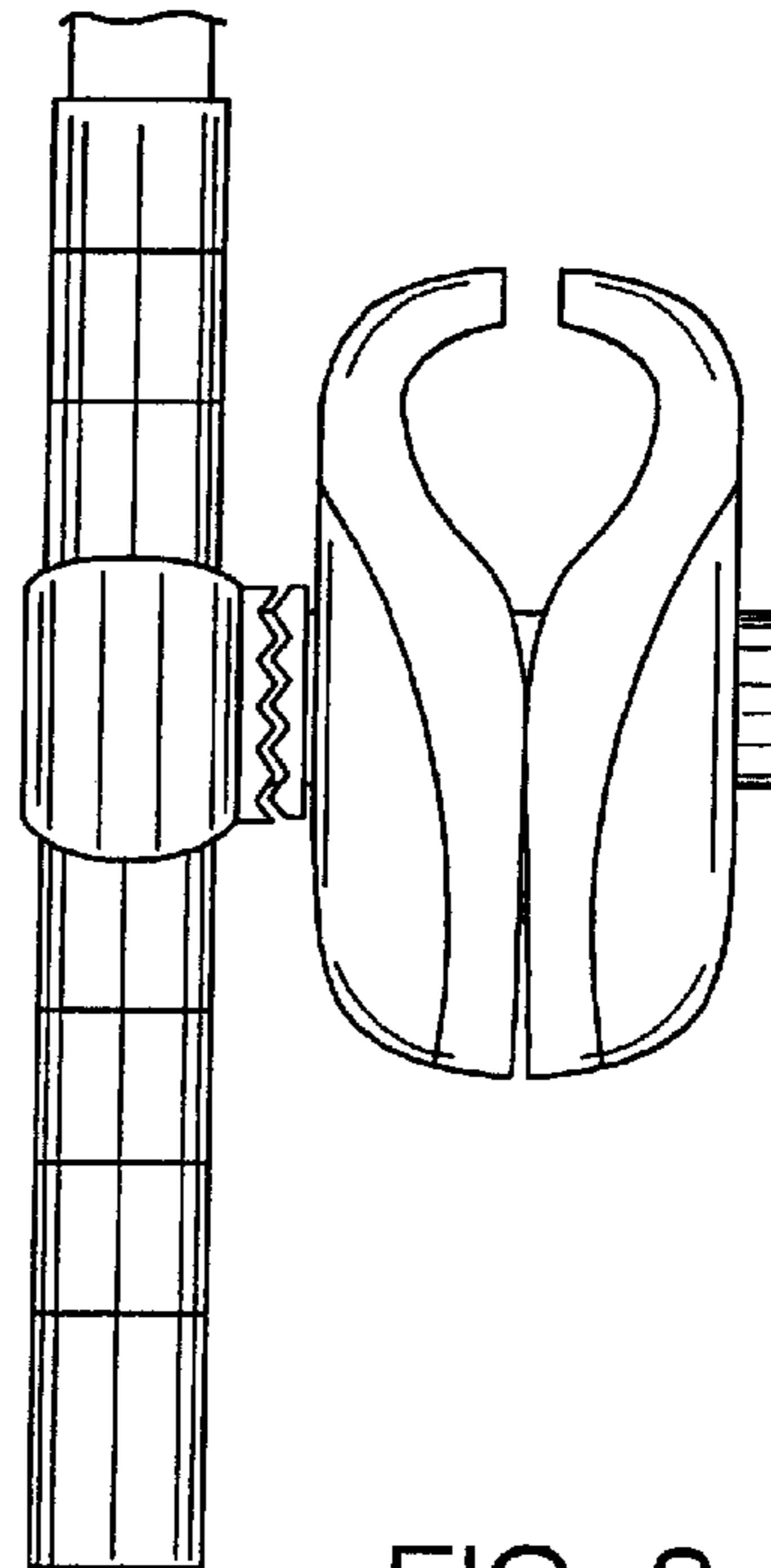


FIG. 8

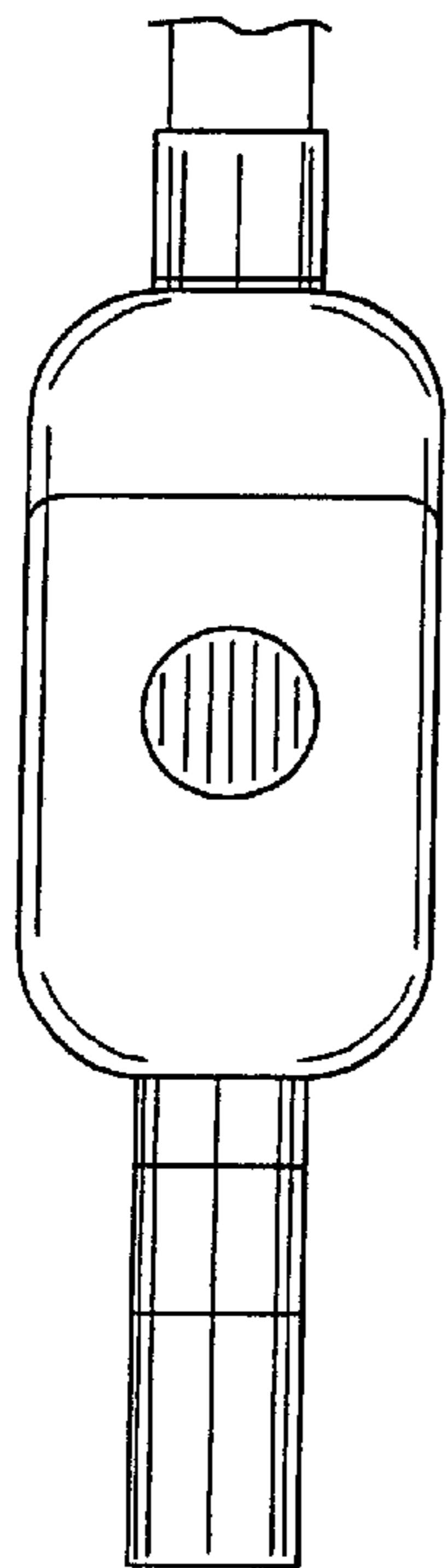


FIG. 9

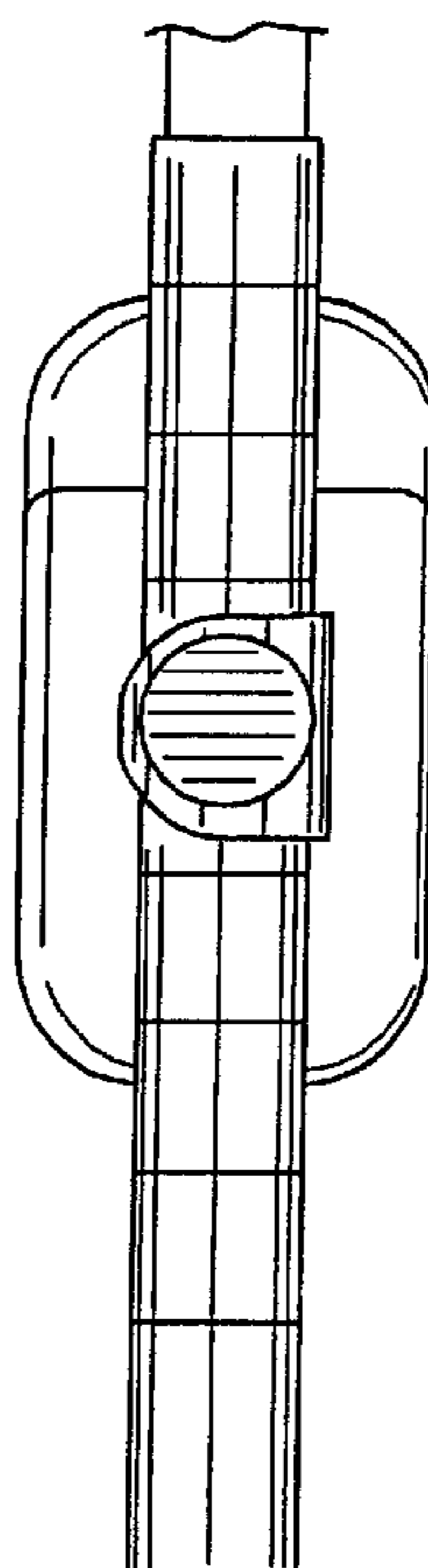


FIG. 10

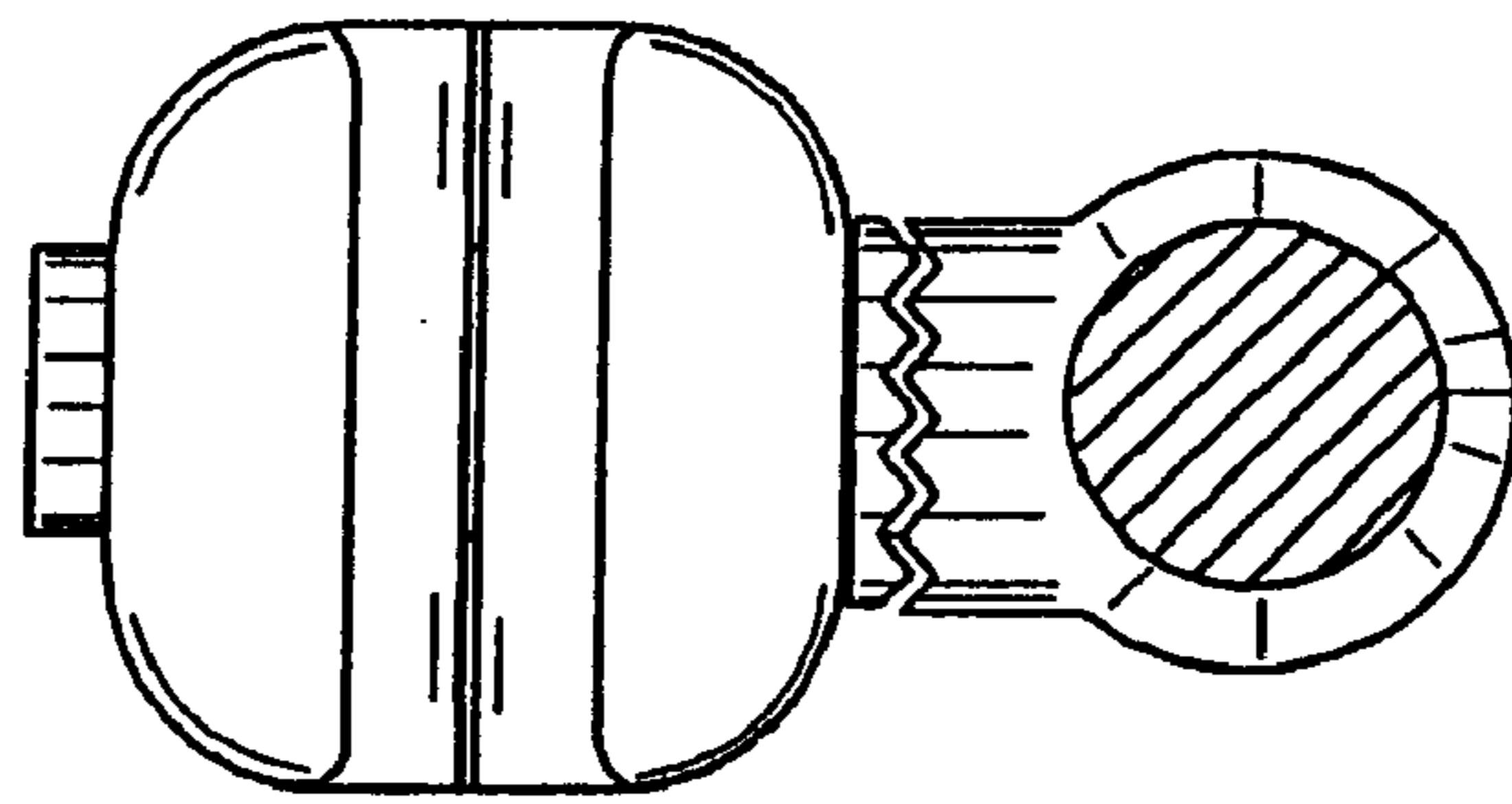


FIG. 11

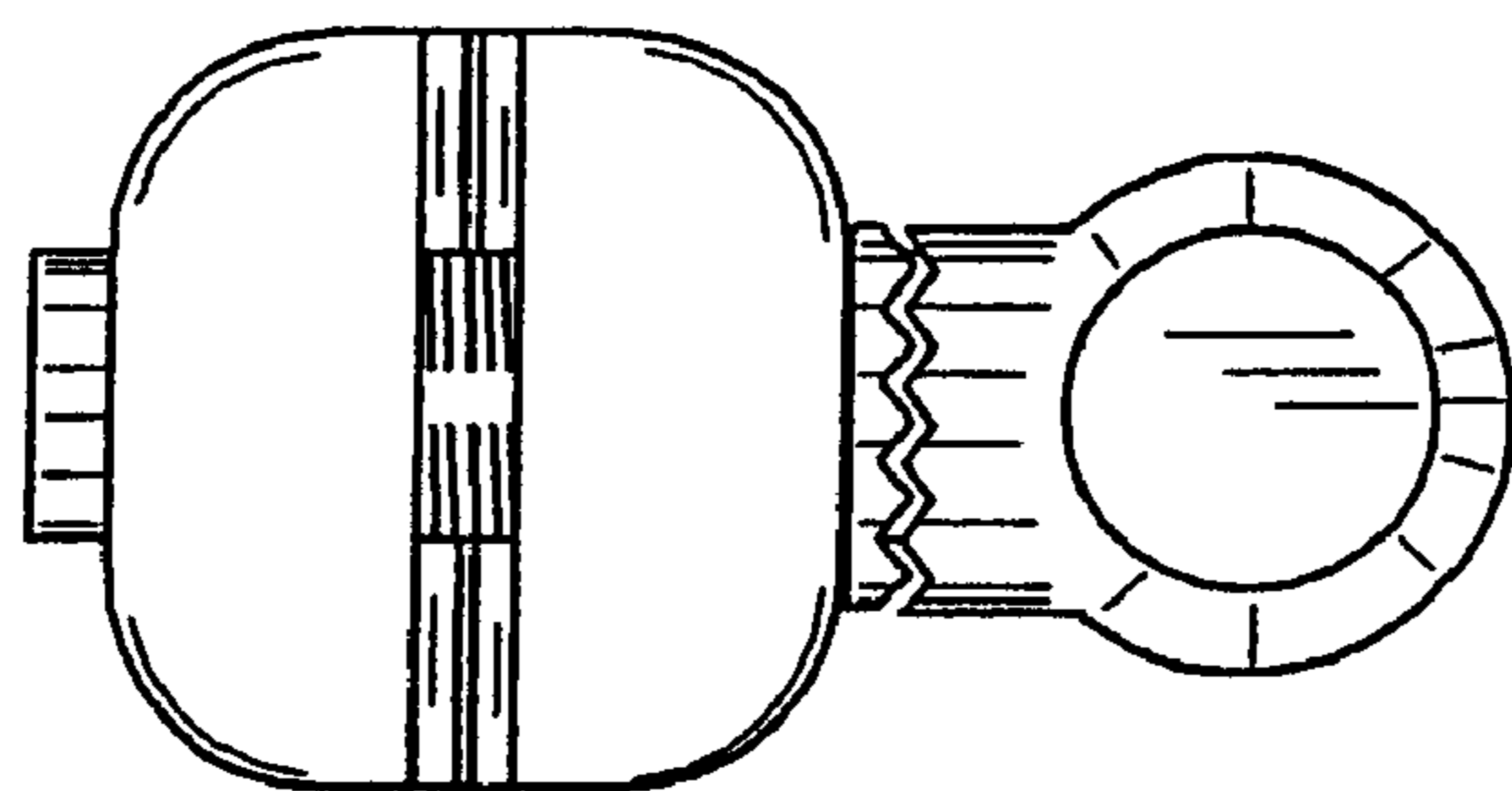


FIG. 12