

US00D504199S

(12) **United States Design Patent** (10) **Patent No.:** **US D504,199 S**  
**Bensussan et al.** (45) **Date of Patent:** **\*\* Apr. 19, 2005**

(54) **SPINE FOR A DUSTING IMPLEMENT**

**FOREIGN PATENT DOCUMENTS**

(75) Inventors: **Bernard Bensussan**, Monroe, CT (US);  
**Peter Suen**, Hong Kong (HK)

CH	354214	6/1961
GB	452936	9/1936

\* cited by examiner

(73) Assignee: **Unger Marketing International, L.L.C.**, Bridgeport, CT (US)

*Primary Examiner*—Alan P. Douglas  
*Assistant Examiner*—Lavone D. Tabor

(\*\*) Term: **14 Years**

(74) *Attorney, Agent, or Firm*—Ohlandt, Greeley, Ruggiero & Perle, LLP; George W. Rauchfuss, Jr.

(21) Appl. No.: **29/185,918**

(57) **CLAIM**

(22) Filed: **Jul. 7, 2003**

The ornamental design for a spine for a dusting implement, as shown and described.

(51) **LOC (7) Cl.** ..... **04-01**

**DESCRIPTION**

(52) **U.S. Cl.** ..... **D32/40**

(58) **Field of Search** ..... D32/35, 40, 51;  
15/143.1, 147.1, 147.2, 209.1, 210.1, 220.3,  
223, 226, 228, 229.1, 229.2, 229.3, 229.4;  
D7/688

FIG. 1 is a top plan view of my new design for a spine for a dusting implement; the bottom plan view is a mirror image of the top plan view;

FIG. 2 is a front elevational view of the spine for a dusting implement; the rear elevational view is a mirror image of the front elevational view;

FIG. 3 is a left side elevational view of the spine for a dusting implement;

FIG. 4 is a right side elevational view of the spine for a dusting implement; and,

FIG. 5 is a perspective view of the spine for a dusting implement.

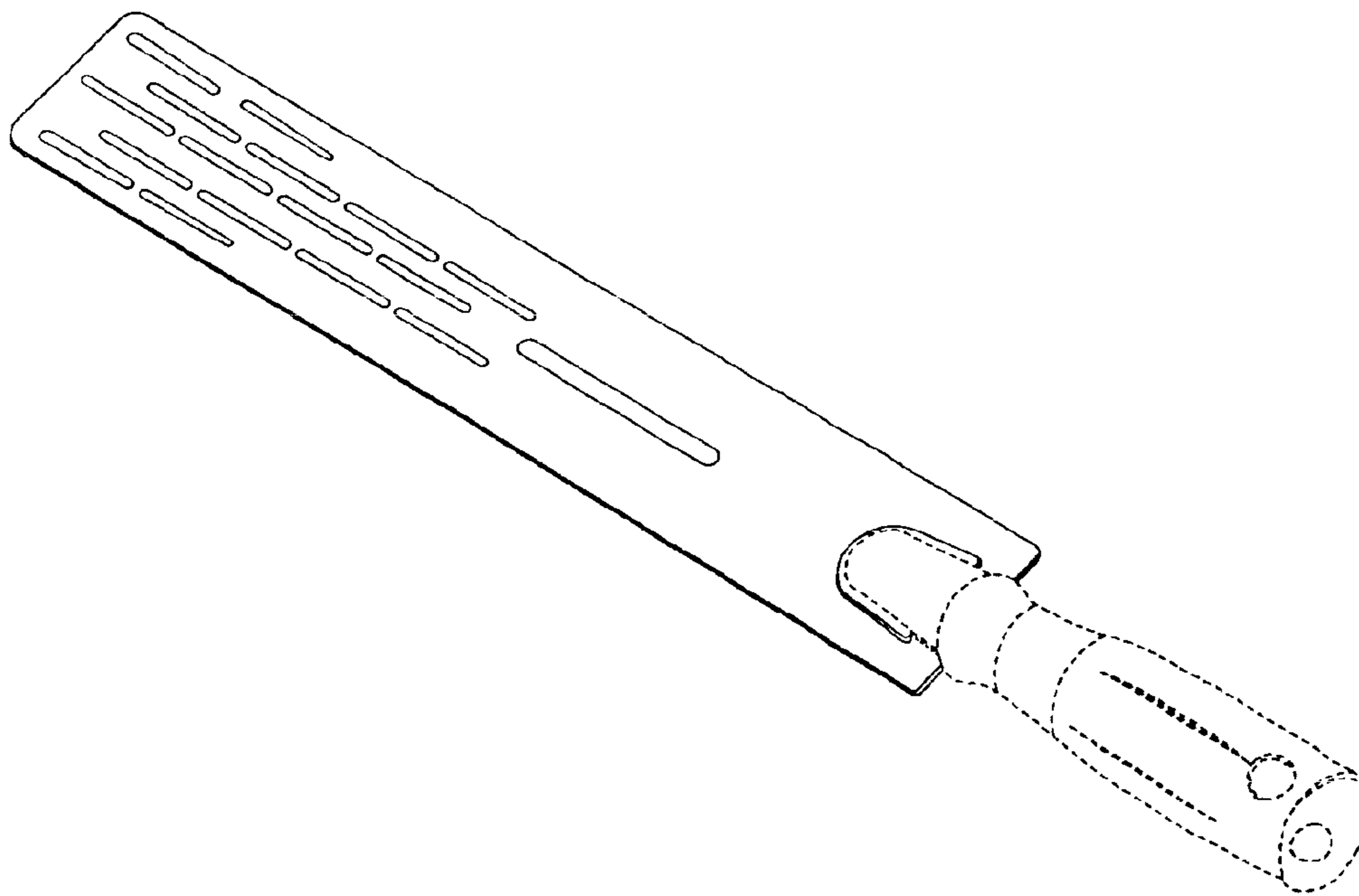
The handle for the spine is shown in dotted outline for illustrative purposes only and forms no part of the claimed design. In use, the spine for a dusting implement is inserted into a cloth, paper or other material dusting implement.

(56) **References Cited**

**U.S. PATENT DOCUMENTS**

127,187	A	*	5/1872	Peabody	
1,195,190	A	*	8/1916	Dunlap	15/226
2,262,888	A		11/1941	Dodge	15/147.2
2,746,074	A	*	5/1956	Carlson, Sr.	15/220.3
2,862,217	A	*	12/1958	Small et al.	15/147.2
D191,783	S		12/1961	Spotniz	
3,066,344	A	*	12/1962	Borrás et al.	15/229.3
D198,742	S		7/1964	Bennett	
4,032,239	A		6/1977	Maupin	401/203
D435,948	S	*	1/2001	Long	D32/40

**1 Claim, 2 Drawing Sheets**



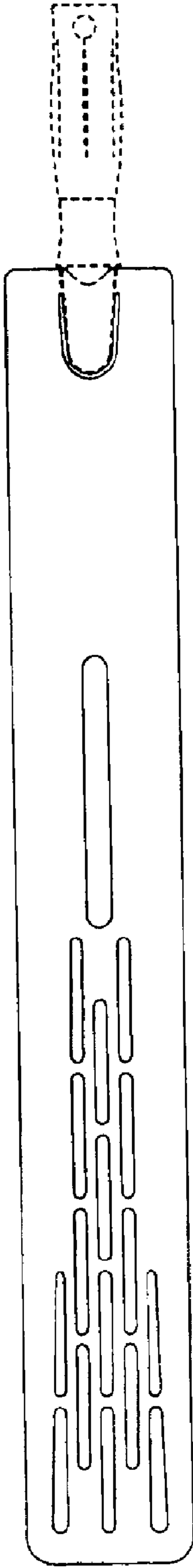


Fig. 1

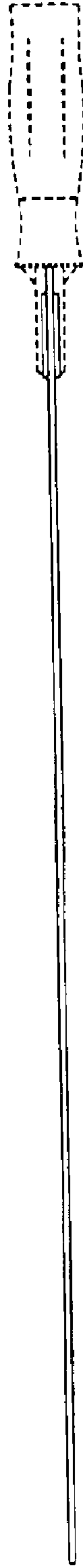


Fig. 2



Fig. 4



Fig. 3

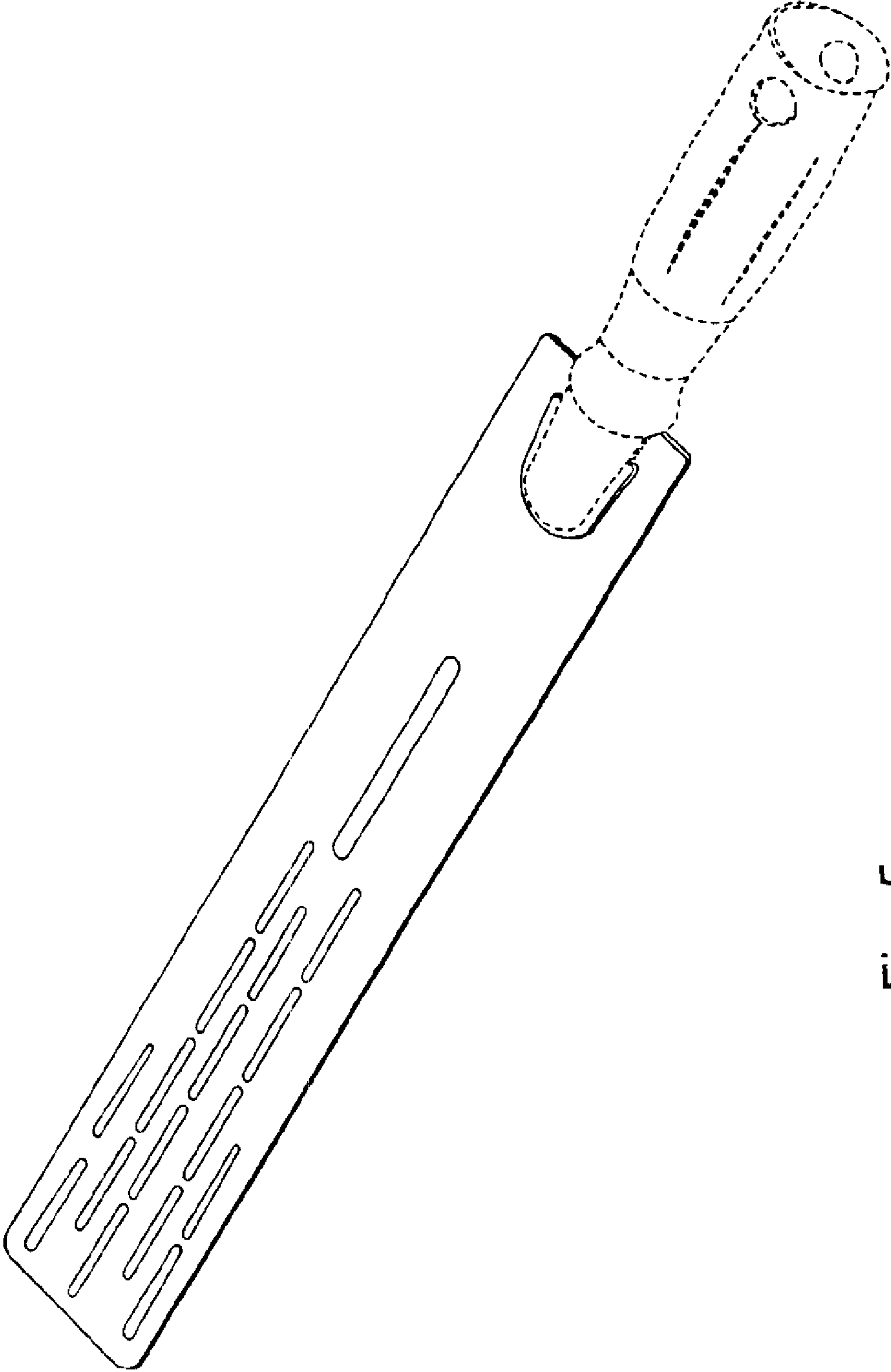


Fig. 5