

US00D504190S

(12) **United States Design Patent**
Keller

(10) **Patent No.:** **US D504,190 S**
(45) **Date of Patent:** **** Apr. 19, 2005**

- (54) **LIGHTING FIXTURE**
- (75) Inventor: **Charles Keller**, St. Gallen (CH)
- (73) Assignee: **Zumtobel Staff GmbH**, Dornbirn (AT)
- (**) Term: **14 Years**
- (21) Appl. No.: **29/194,946**
- (22) Filed: **Dec. 4, 2003**

D127,823 S	6/1941	Biller	D26/78
2,287,565 A	6/1942	Phillips	362/220
2,531,232 A	11/1950	Naysmith	362/219
2,564,273 A	8/1951	Neuman	362/221
3,125,301 A	3/1964	Stotter	362/217
4,407,011 A	9/1983	Lahm	362/225
4,499,529 A	2/1985	Figuroa	362/217
6,033,092 A	3/2000	Simon	362/223
D463,879 S	10/2002	Mier-Langner et al.	D26/77
D464,161 S	10/2002	Nourishad	D26/78

Related U.S. Application Data

- (62) Division of application No. 29/173,475, filed on Dec. 31, 2002.

(30) **Foreign Application Priority Data**

Jul. 4, 2002 (DE) 402 05 661

- (51) **LOC (7) Cl.** **26-03**
- (52) **U.S. Cl.** **D26/76**
- (58) **Field of Search** D26/24, 72, 75-78;
362/217-225, 151, 133

(56) **References Cited**

U.S. PATENT DOCUMENTS

908,838 A	1/1909	Brown	D26/77
D125,001 S	2/1941	Klingsick	D26/78

Primary Examiner—Clare E Hefflin

(74) *Attorney, Agent, or Firm*—Fitzpatrick, Cella, Harper & Scinto

(57) **CLAIM**

The ornamental design for a lighting fixture, as shown and described.

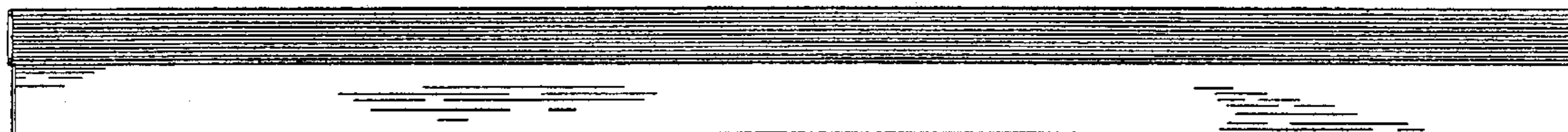
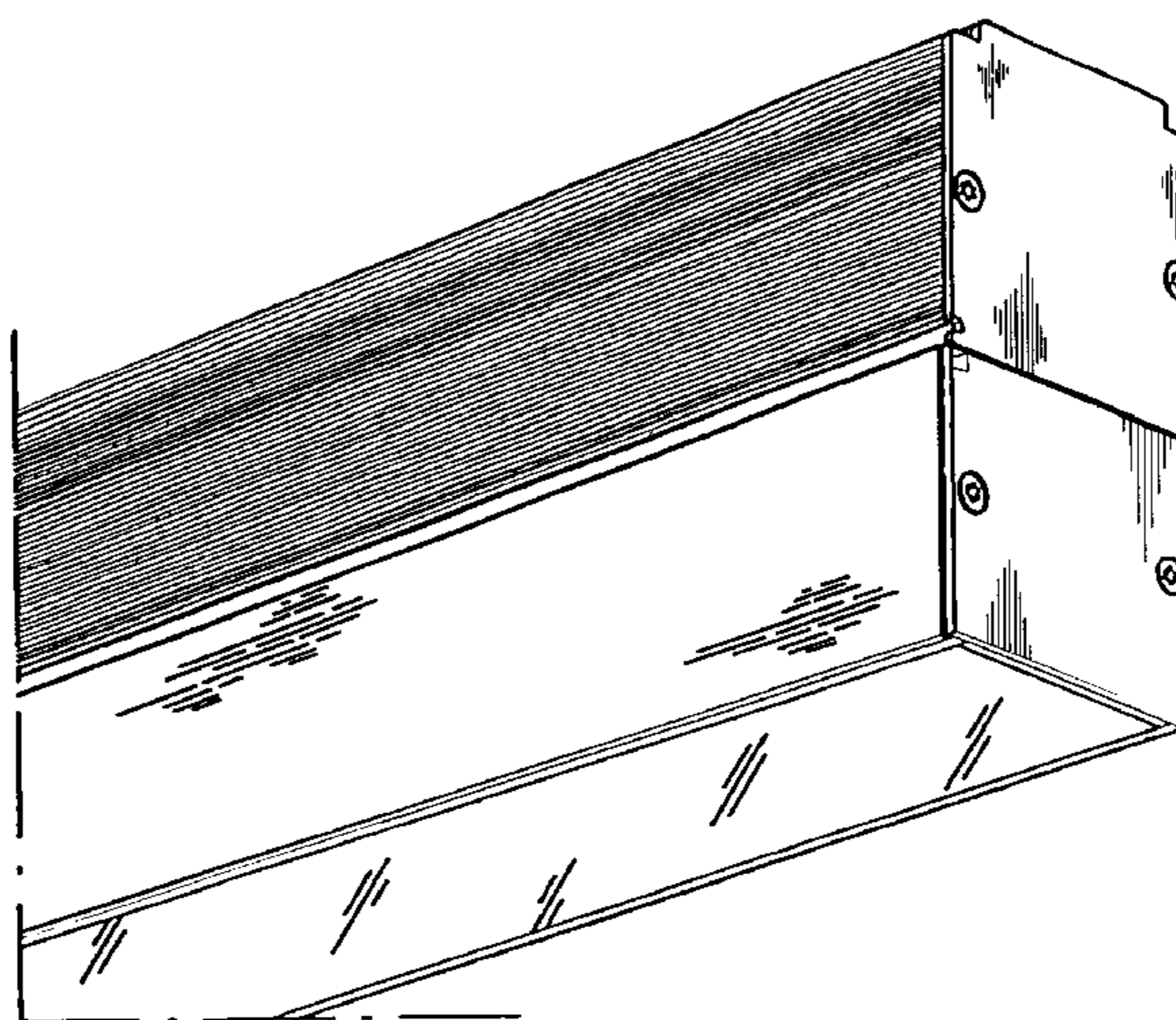
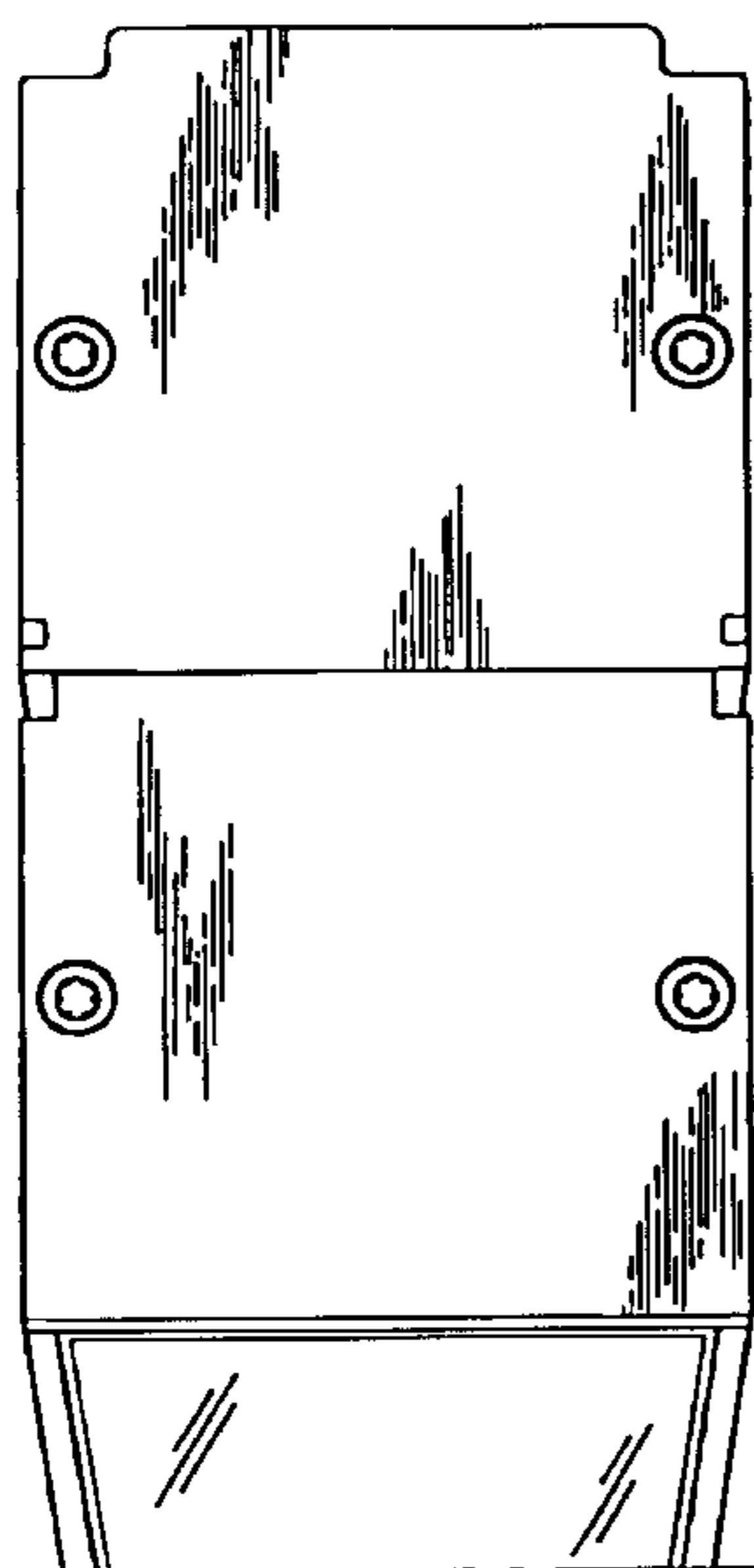
DESCRIPTION

FIG. 1 is an enlarged fragmentary end view of the lighting fixture, slightly tilted and showing one end and a portion of the bottom, of the new design;

FIG. 2 is a fragmentary perspective view showing one end, a portion of one side, and a portion of the bottom thereof; and,

FIG. 3 is a longitudinal side elevation thereof.

1 Claim, 2 Drawing Sheets



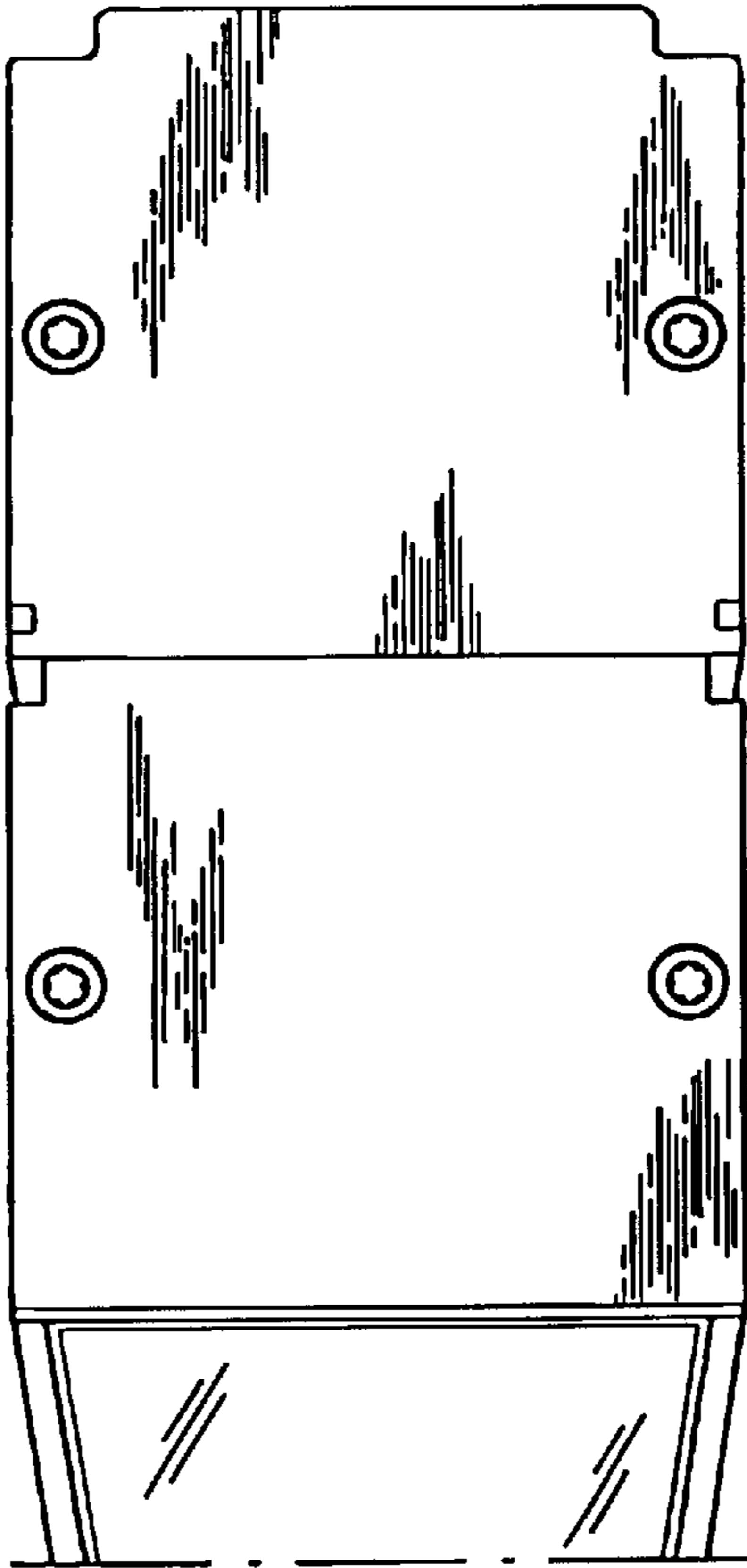
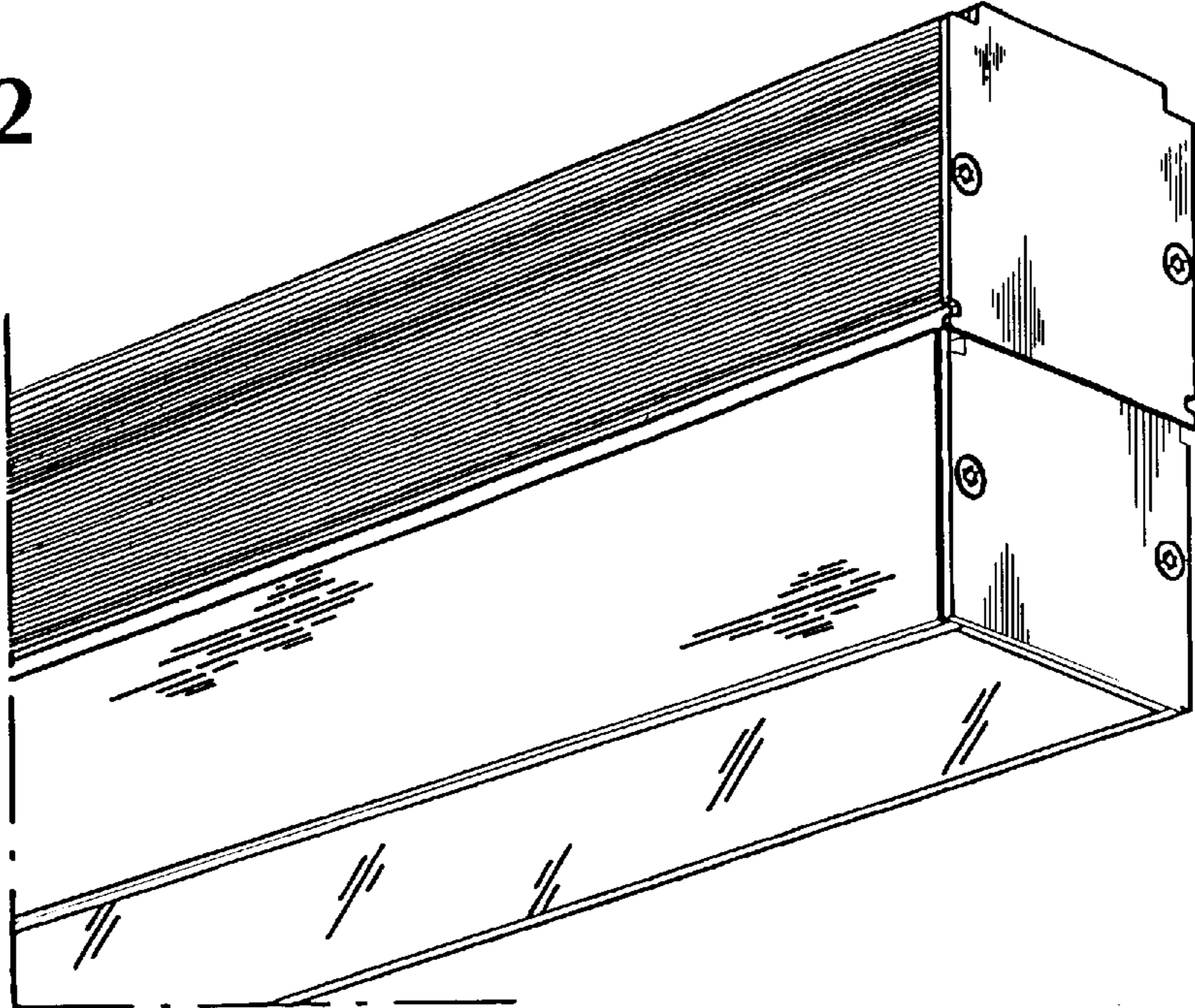


FIG. 1

FIG. 2



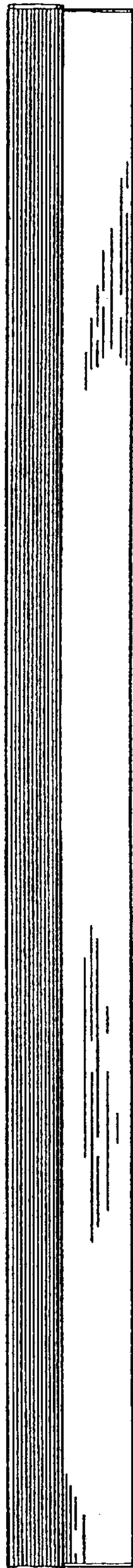


FIG. 3