

US00D504188S

(12) **United States Design Patent**
Chan

(10) **Patent No.:** **US D504,188 S**

(45) **Date of Patent:** **** Apr. 19, 2005**

(54) **LAMP**

(76) **Inventor:** **Teng-Chiung Chan**, 53-1, Hu Shan Street, Yen Chu Village, Hua Tan Hsiang, Changhua (TW)

(**) **Term:** **14 Years**

(21) **Appl. No.:** **29/194,489**

(22) **Filed:** **Nov. 26, 2003**

(51) **LOC (7) Cl.** **26-05**

(52) **U.S. Cl.** **D26/66**

(58) **Field of Search** D26/60-66, 93, D26/106-110, 112; 362/269, 275, 277-279, 285, 287, 401-403, 410-414, 419, 427

(56) **References Cited**

U.S. PATENT DOCUMENTS

- 5,065,297 A * 11/1991 Santambrogio 362/413
- D327,545 S * 6/1992 Lee D26/66
- D467,675 S * 12/2002 Chan D26/66

* cited by examiner

Primary Examiner—Alan P. Douglas

Assistant Examiner—Linda Brooks

(74) *Attorney, Agent, or Firm*—Rabin & Berdo, P.C.

(57) **CLAIM**

The ornamental design for a lamp, as shown and described.

DESCRIPTION

FIG. 1. is a front elevational view of a lamp showing my new design;

FIG. 2. is a rear elevational view thereof;

FIG. 3. is a left side elevational view thereof;

FIG. 4. is a right side elevational view thereof;

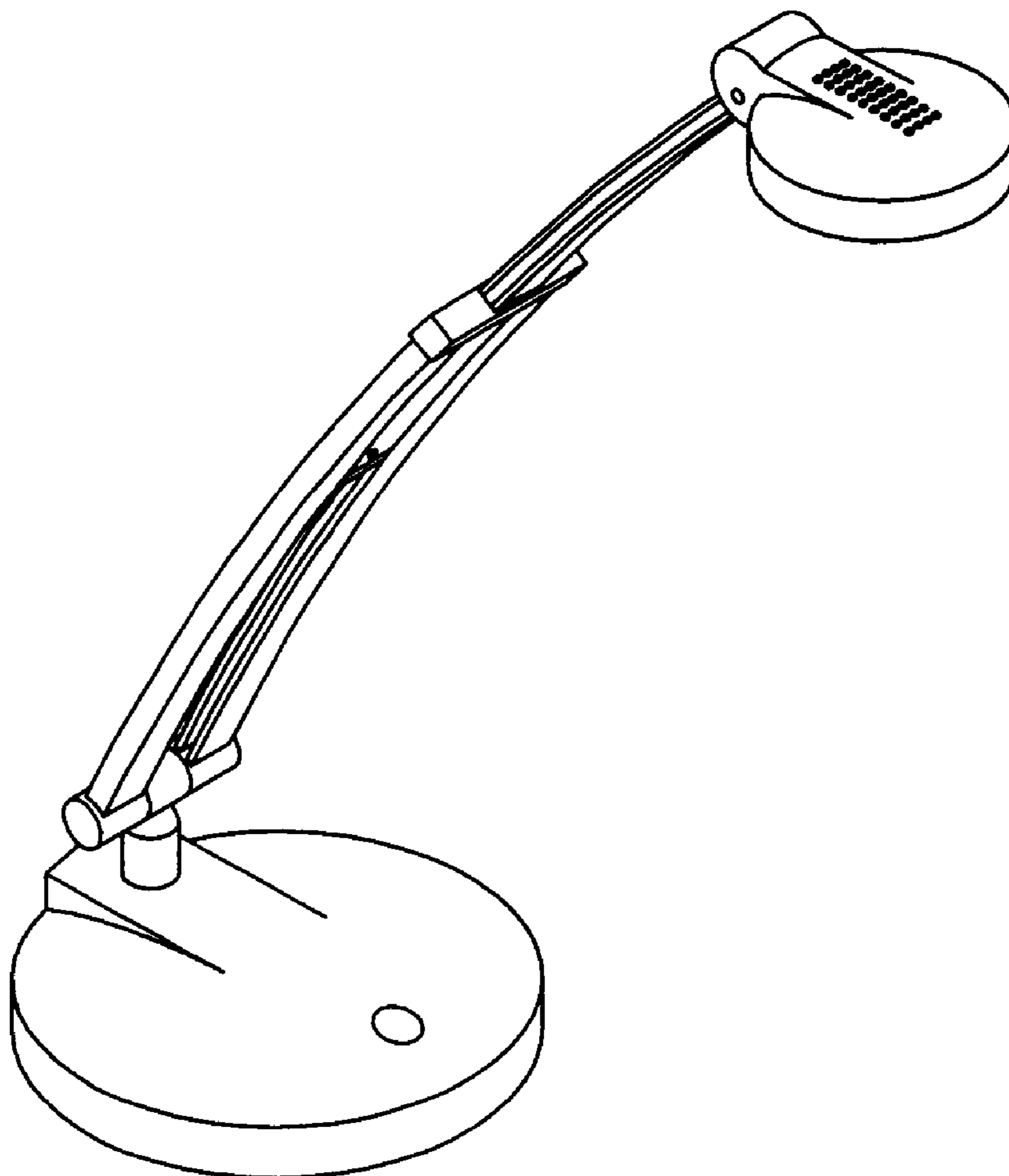
FIG. 5. is a top plan view thereof;

FIG. 6. is a bottom plan view thereof;

FIG. 7. is a perspective view thereof; and,

FIG. 8 is a view similar to FIG. 7, but with the lighting element in an extended position.

1 Claim, 5 Drawing Sheets



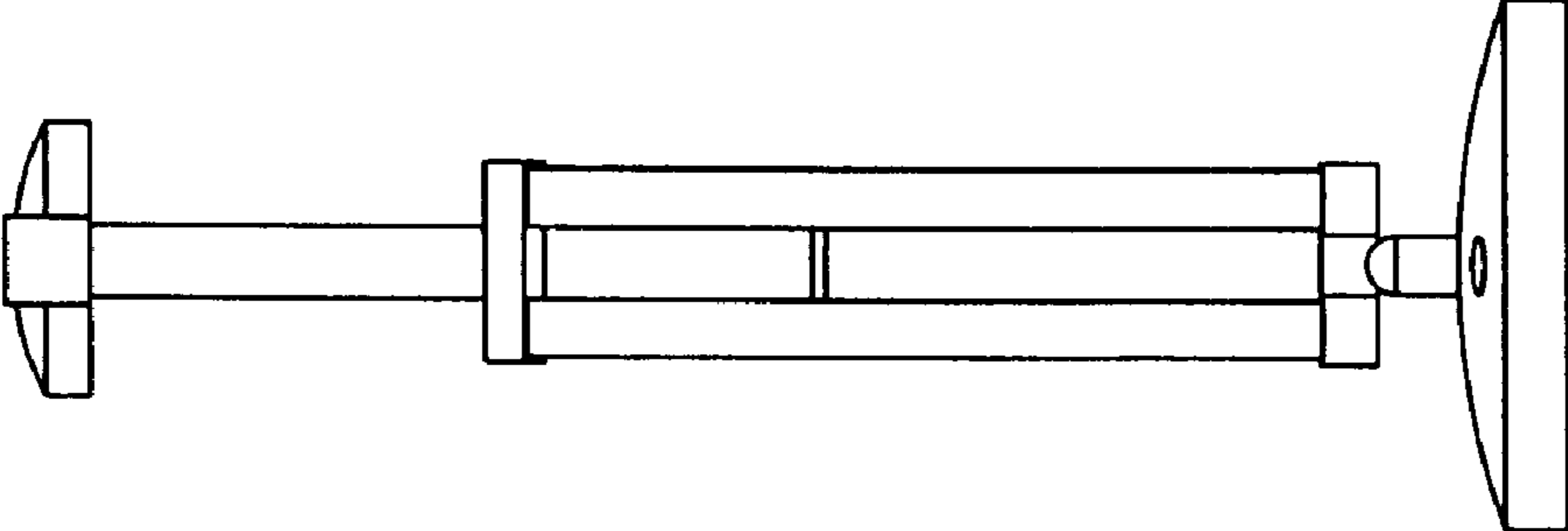


FIG. 2

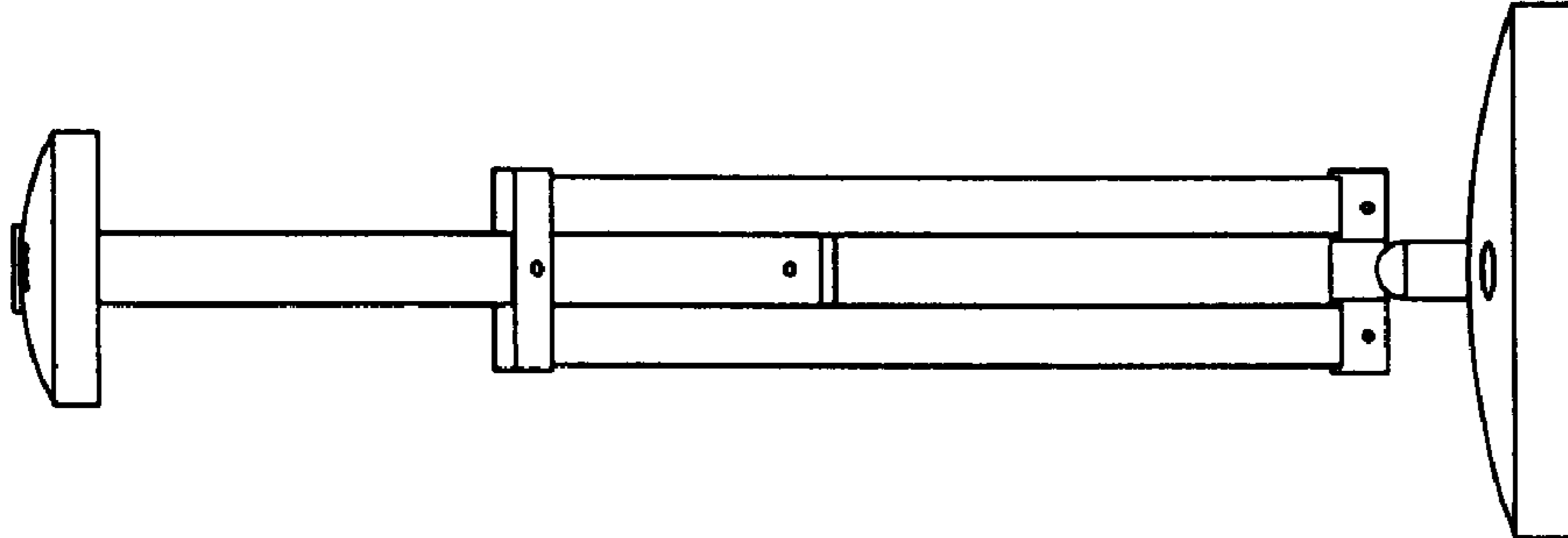


FIG. 1

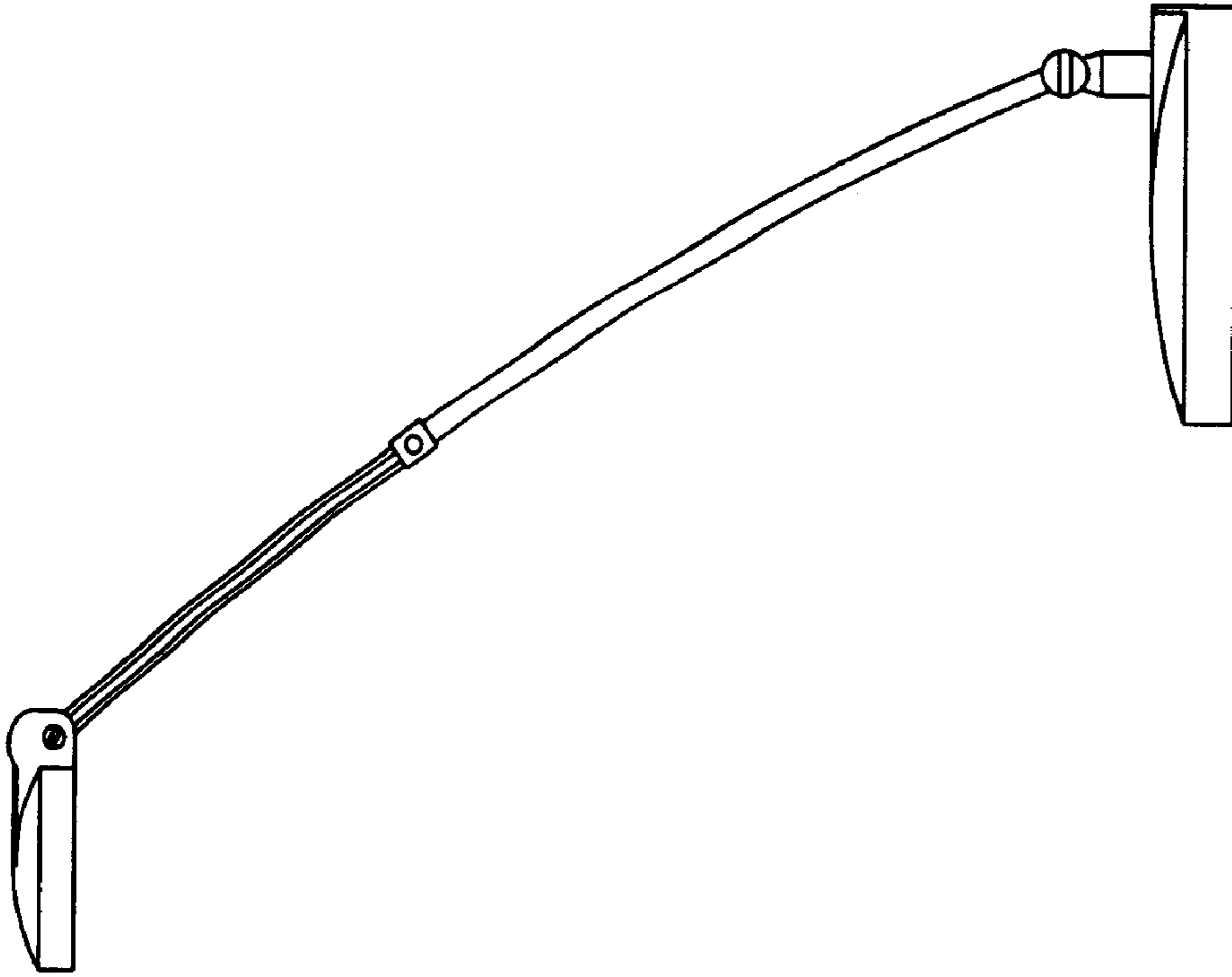


FIG. 3

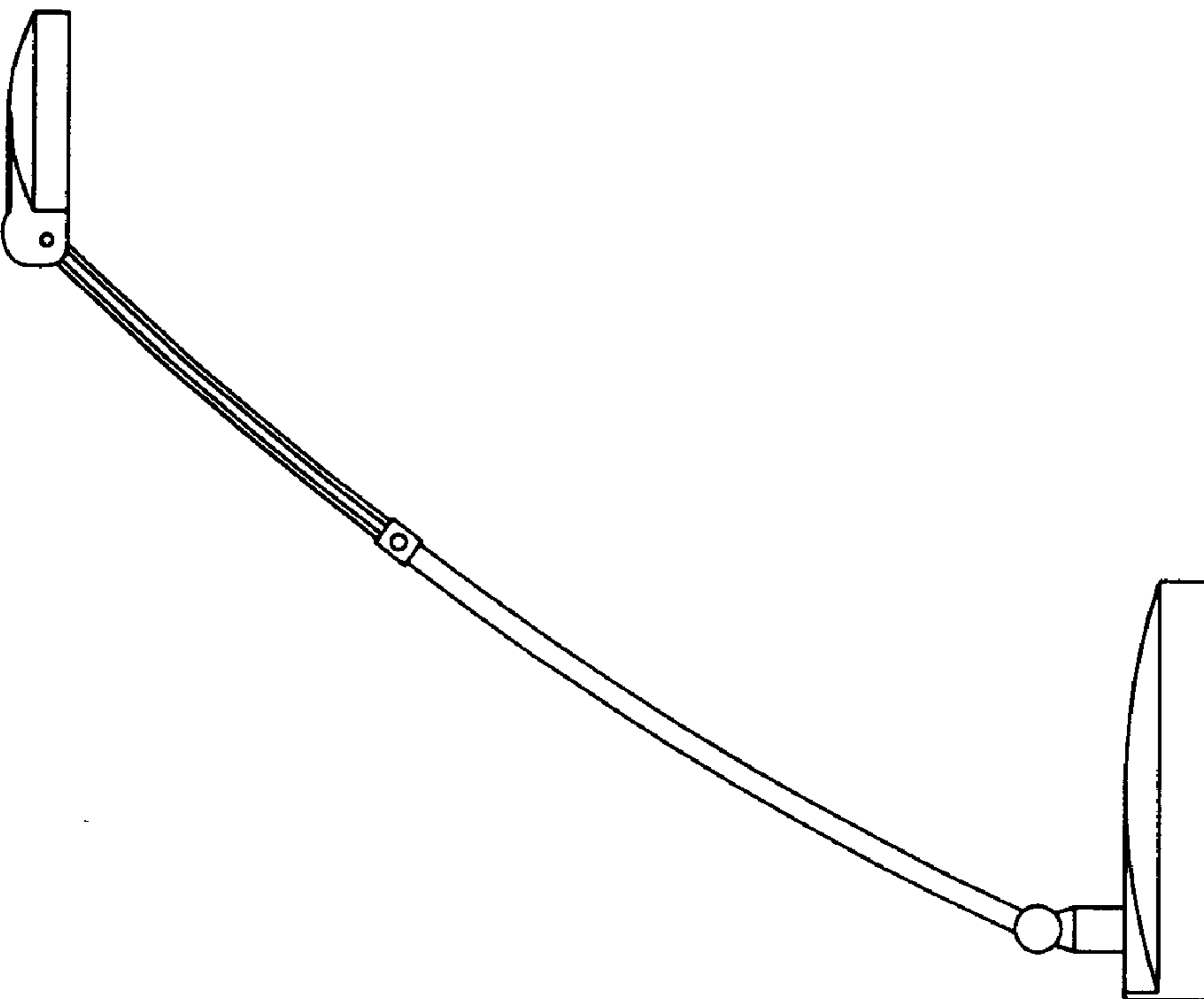


FIG. 4

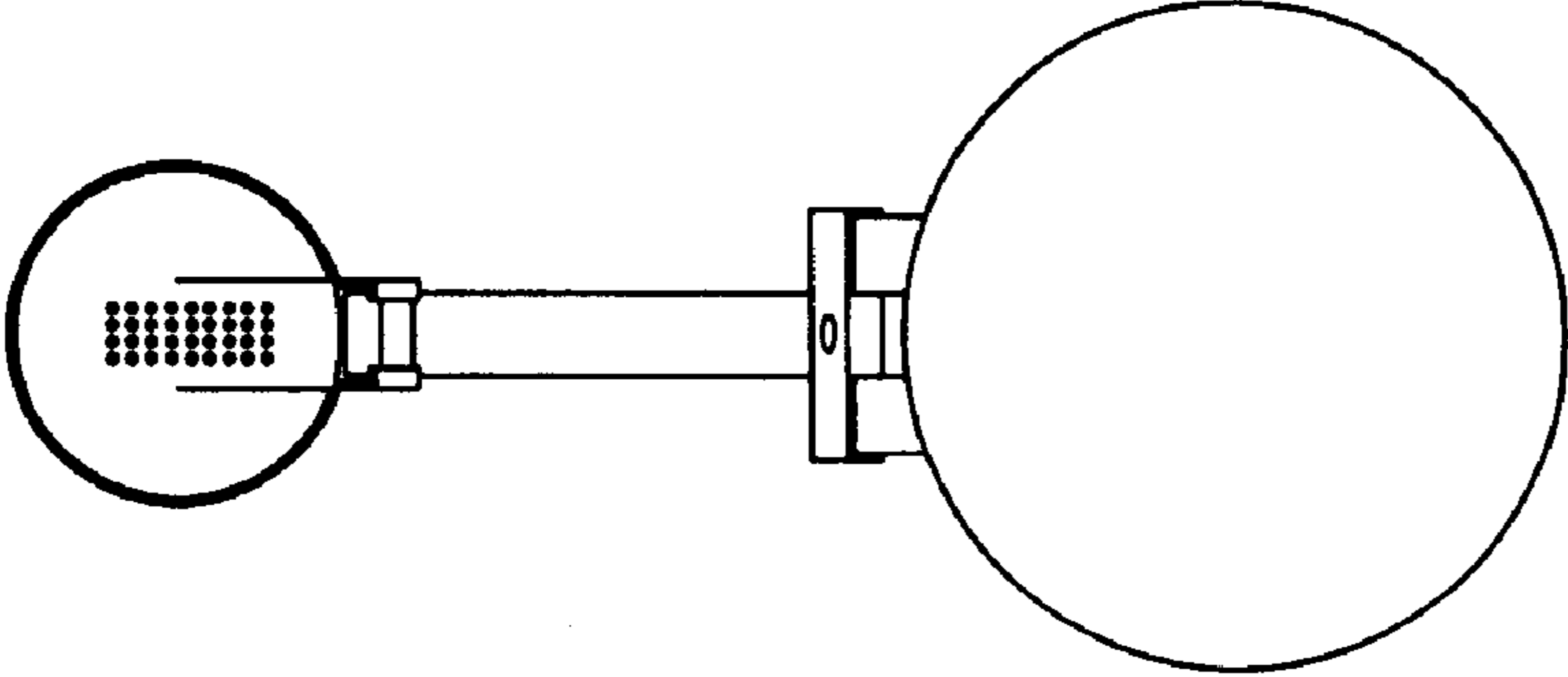


FIG. 6

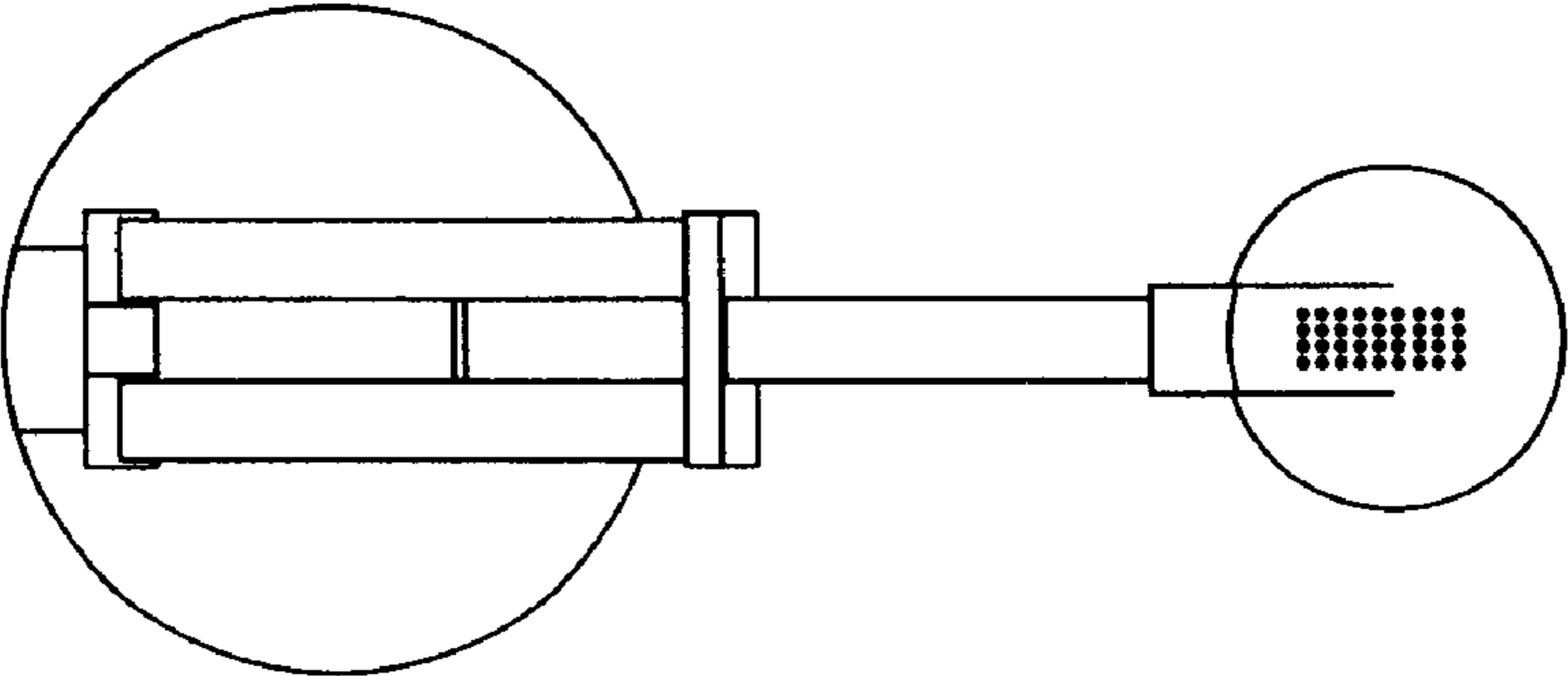


FIG. 5

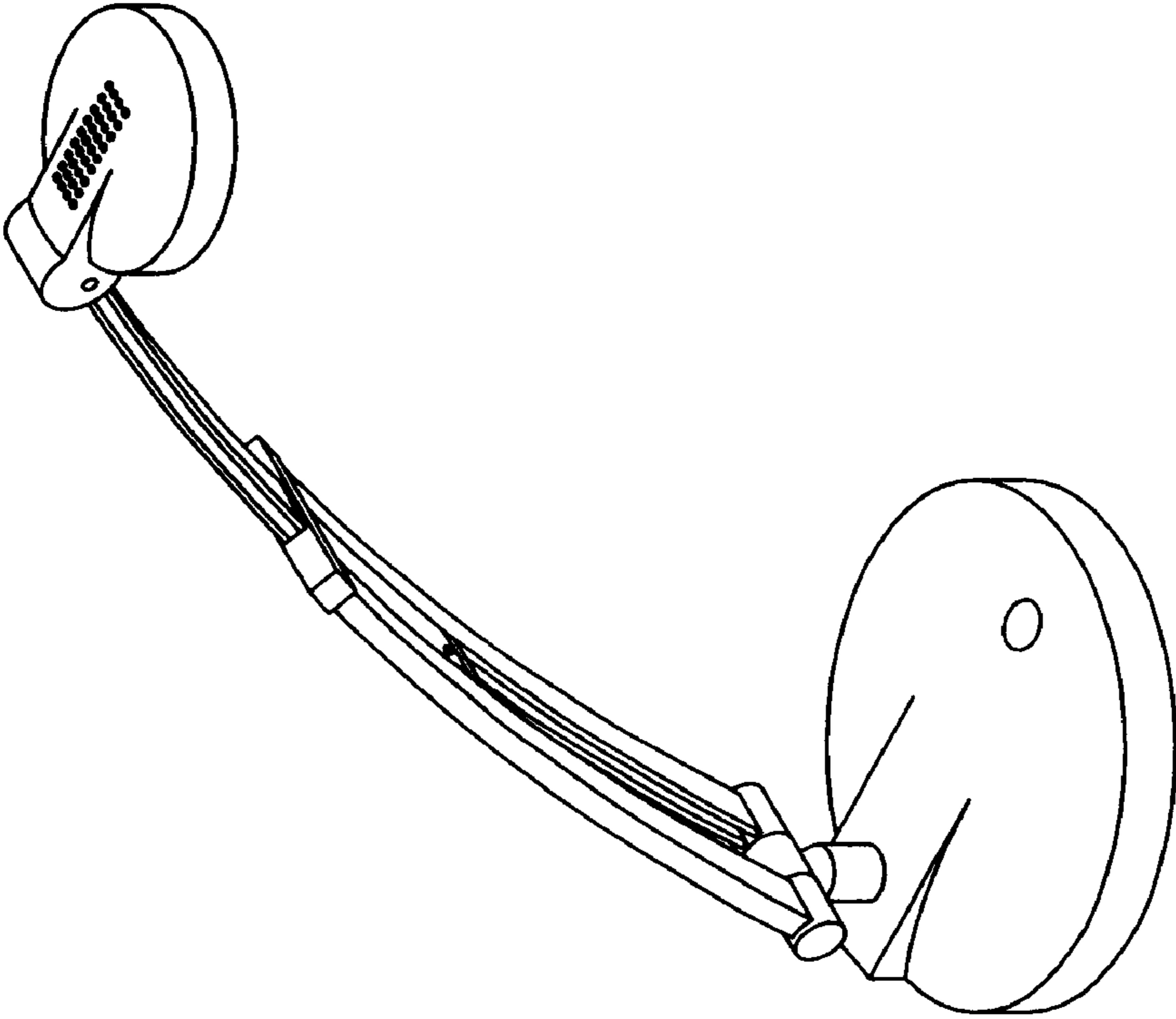


FIG. 7

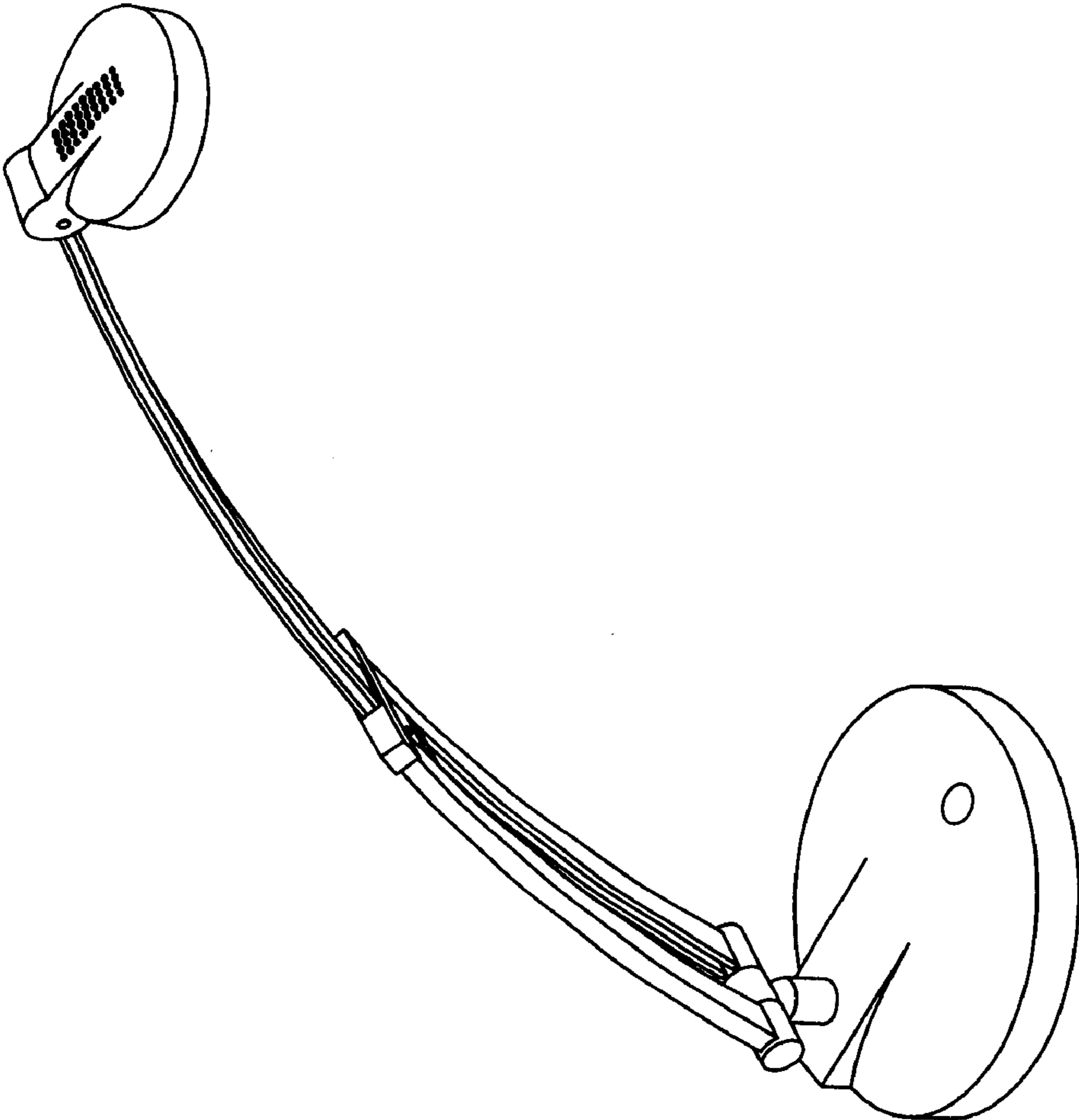


FIG. 8