

US00D504183S

(12) **United States Design Patent**
McCracken

(10) **Patent No.:** **US D504,183 S**
(45) **Date of Patent:** **** Apr. 19, 2005**

(54) **SHORING POST**

(75) Inventor: **Robert McCracken**, Des Moines, IA (US)

(73) Assignee: **Wilian Holding Company**, Des Moines, IA (US)

(**) Term: **14 Years**

5,713,687 A	2/1998	Schworer	
5,762,815 A	6/1998	Lee	
D404,505 S	* 1/1999	Welsch D25/126
5,975,483 A	11/1999	Schule	
6,174,110 B1	* 1/2001	Papadopoulos 405/290
6,179,511 B1	1/2001	Gassler	
6,227,752 B1	5/2001	Friedrich	
6,322,277 B1	11/2001	Jennings	
6,397,537 B1	6/2002	Auer et al.	

FOREIGN PATENT DOCUMENTS

CH	613744	10/1979
DE	3803223	5/1989

* cited by examiner

Primary Examiner—Doris Clark

(74) *Attorney, Agent, or Firm*—Daniel A. Rosenberg; Kent A. Herink; Davis, Brown, Koehn, Shors & Roberts, P.C.

(21) Appl. No.: **29/186,417**

(22) Filed: **Jul. 15, 2003**

(51) **LOC (7) Cl.** **25-01**

(52) **U.S. Cl.** **D25/126**

(58) **Field of Search** D25/126; 405/272, 405/276, 274, 273, 277, 282, 288, 287.1

(56) **References Cited**

U.S. PATENT DOCUMENTS

2,546,929 A	3/1951	Nampa	
D223,236 S	* 4/1972	Watanabe et al. D25/126
3,807,681 A	4/1974	Kane	
3,939,300 A	2/1976	Hawkins	
4,017,199 A	4/1977	Strassle	
4,021,973 A	5/1977	Hegg et al.	
4,481,748 A	11/1984	D’Alessio et al.	
4,490,064 A	12/1984	Ducharme	
4,583,359 A	4/1986	Staeger	
4,923,322 A	5/1990	Burg	
5,031,724 A	7/1991	Quinn	
5,078,532 A	1/1992	Williams	
5,263,296 A	11/1993	Spera	
5,315,805 A	5/1994	Harsch	
5,388,666 A	2/1995	Schworer	

(57) **CLAIM**

I claim the ornamental design for a shoring post, as shown.

DESCRIPTION

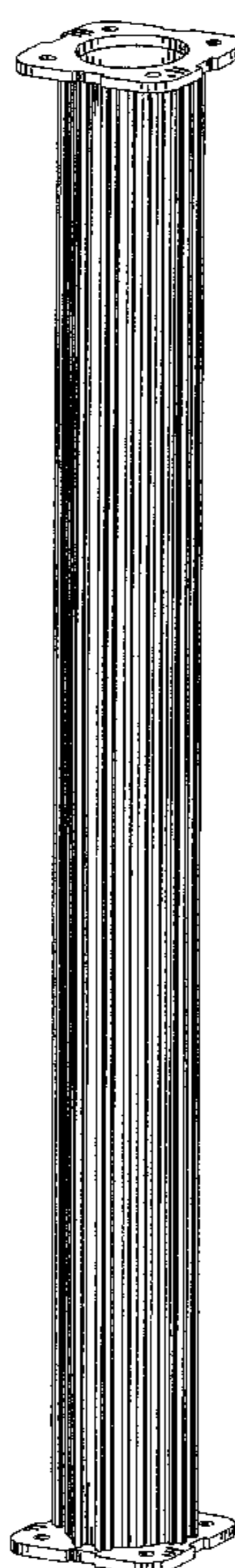
FIG. 1 is a perspective view of the shoring post of the present invention.

FIG. 2 is a side view of the shoring post of the present invention, the opposite side view being identical.

FIG. 3 is a cross sectional view of the shoring post of the present invention, taken along the line A—A shown in FIG. 2; and,

FIG. 4 is a top view of the shoring post of the present invention, the bottom view being identical.

1 Claim, 1 Drawing Sheet



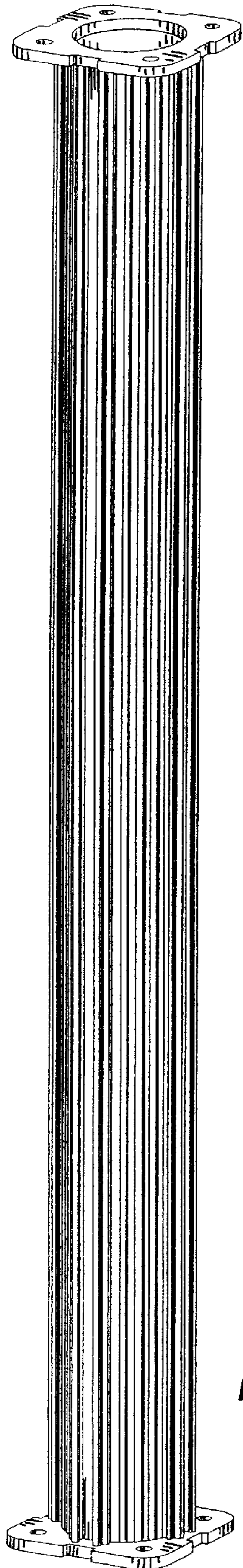


Fig. 1

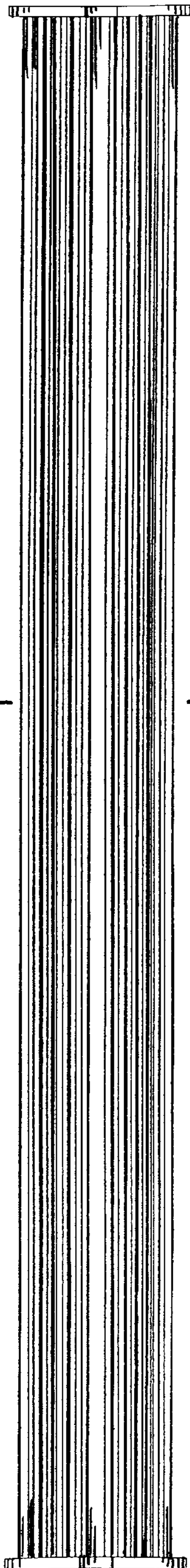


Fig. 2

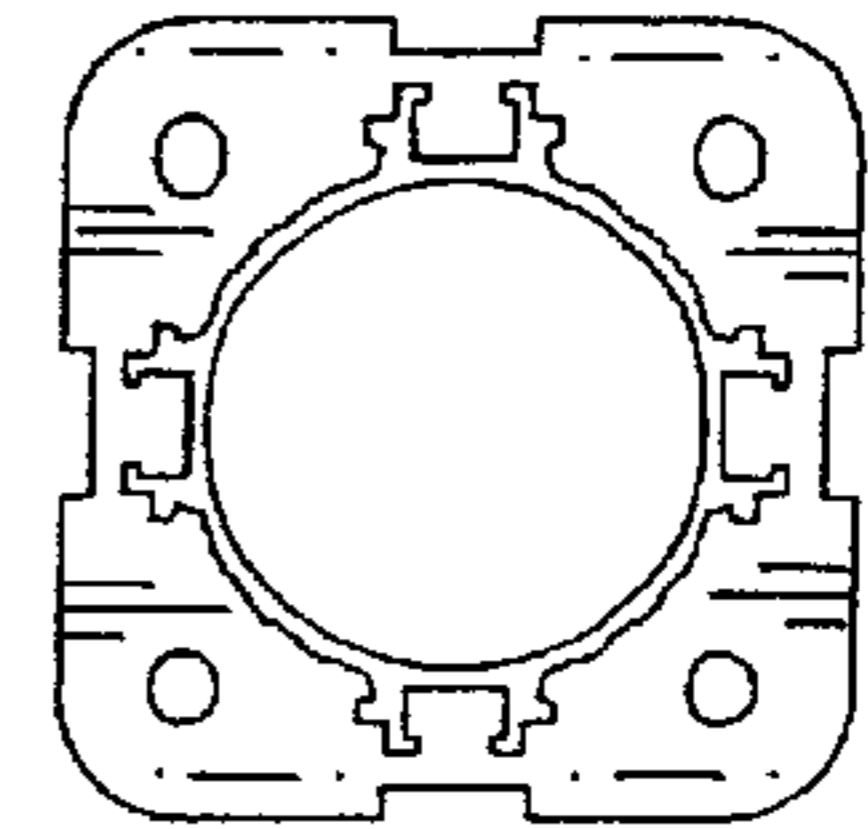
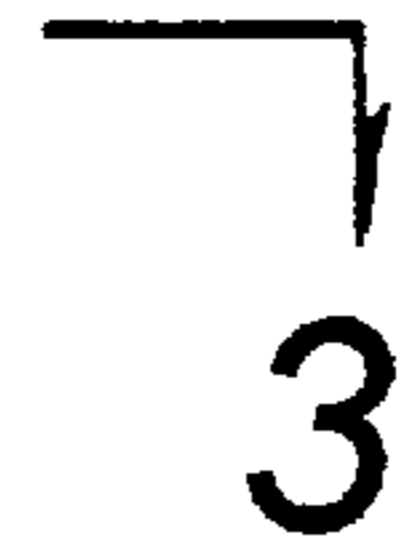
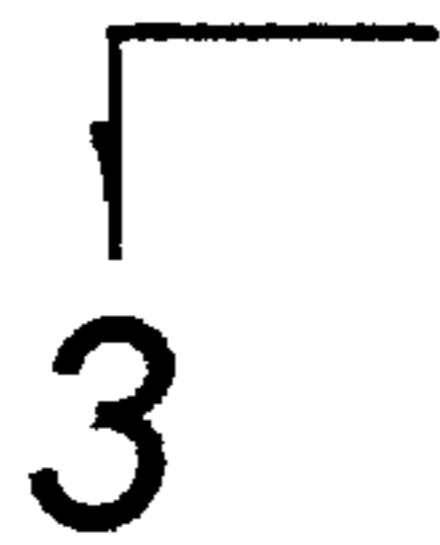


Fig. 3

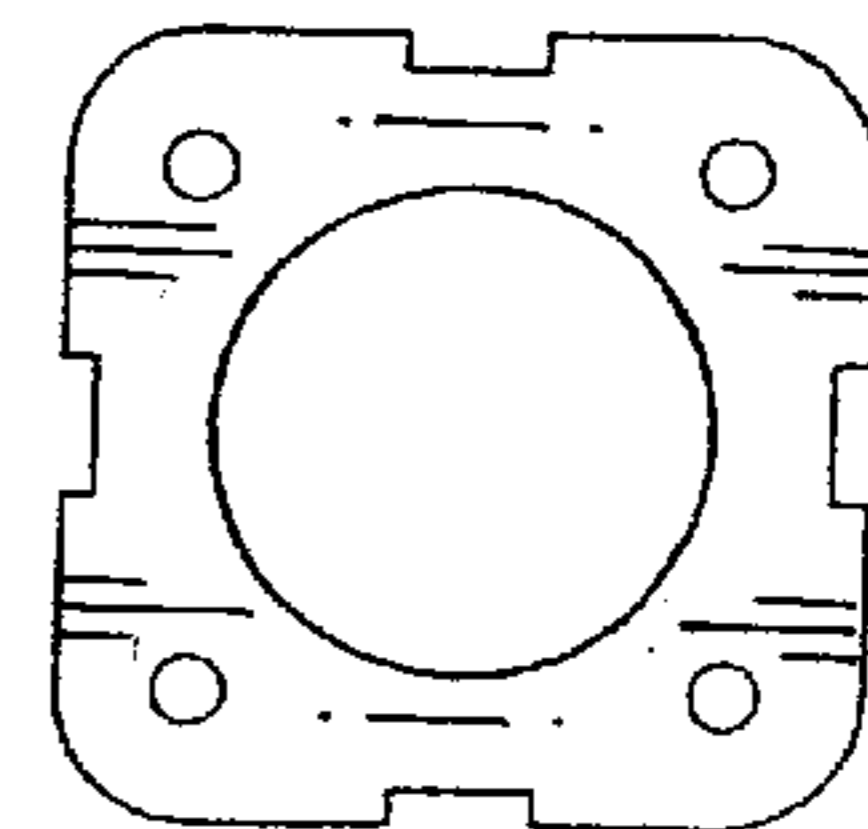


Fig. 4