

US00D504182S

(12) **United States Design Patent**
Goss

(10) **Patent No.:** **US D504,182 S**
(45) **Date of Patent:** **** Apr. 19, 2005**

(54) **WINDOW COMPONENT EXTRUSION**

(75) **Inventor:** **Lorane Goss**, Slippery Rock, PA (US)

(73) **Assignee:** **Mikron Industries, Inc.**, Kent, WA (US)

(**) **Term:** **14 Years**

(21) **Appl. No.:** **29/195,826**

(22) **Filed:** **Dec. 16, 2003**

(51) **LOC (7) Cl.** **25-01**

(52) **U.S. Cl.** **D25/124**

(58) **Field of Search** D25/124; 52/204.5;
49/504, DIG. 2

(56) **References Cited**

U.S. PATENT DOCUMENTS

D390,975 S * 2/1998 Tyra D25/124
6,006,478 A * 12/1999 Hubner et al. 52/204.5

OTHER PUBLICATIONS

Mikron Part No. 5929, First Drawn: Aug. 25, 1992; First Sold: Nov. 27, 1990.

Mikron Part No. 7253, First Drawn: Aug. 21, 1995; First Sold: Dec. 8, 1995.

* cited by examiner

Primary Examiner—Doris Clark

(74) *Attorney, Agent, or Firm*—Black Lowe & Graham PLLC

(57) **CLAIM**

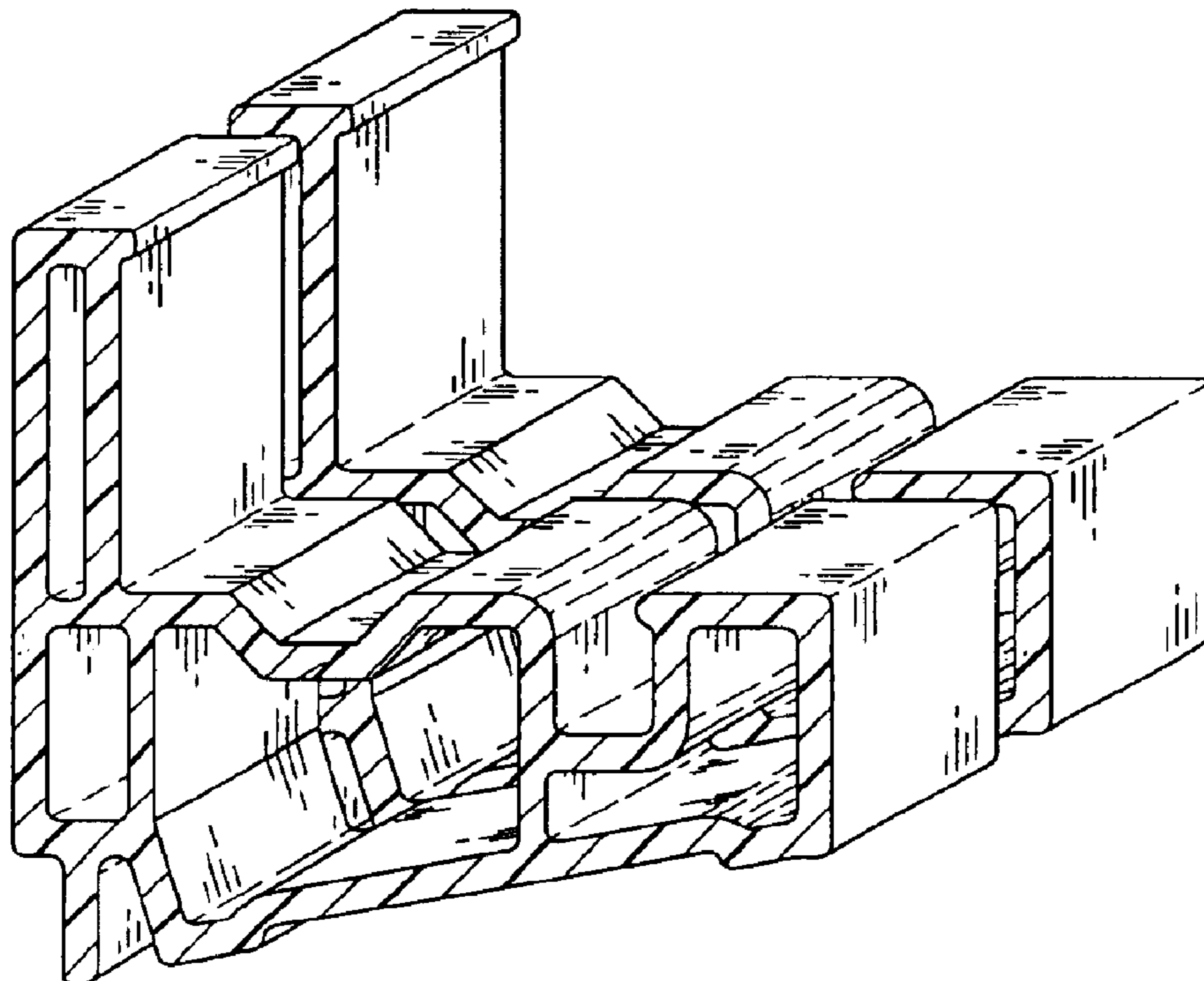
The ornamental design for a window component extrusion, as shown and described.

DESCRIPTION

FIG. 1 is a top right perspective view of the window component extrusion which is broken in the center indicating indefinite length; and,

FIG. 2 is a bottom left perspective view of the window component extrusion shown in FIG. 1.

1 Claim, 1 Drawing Sheet



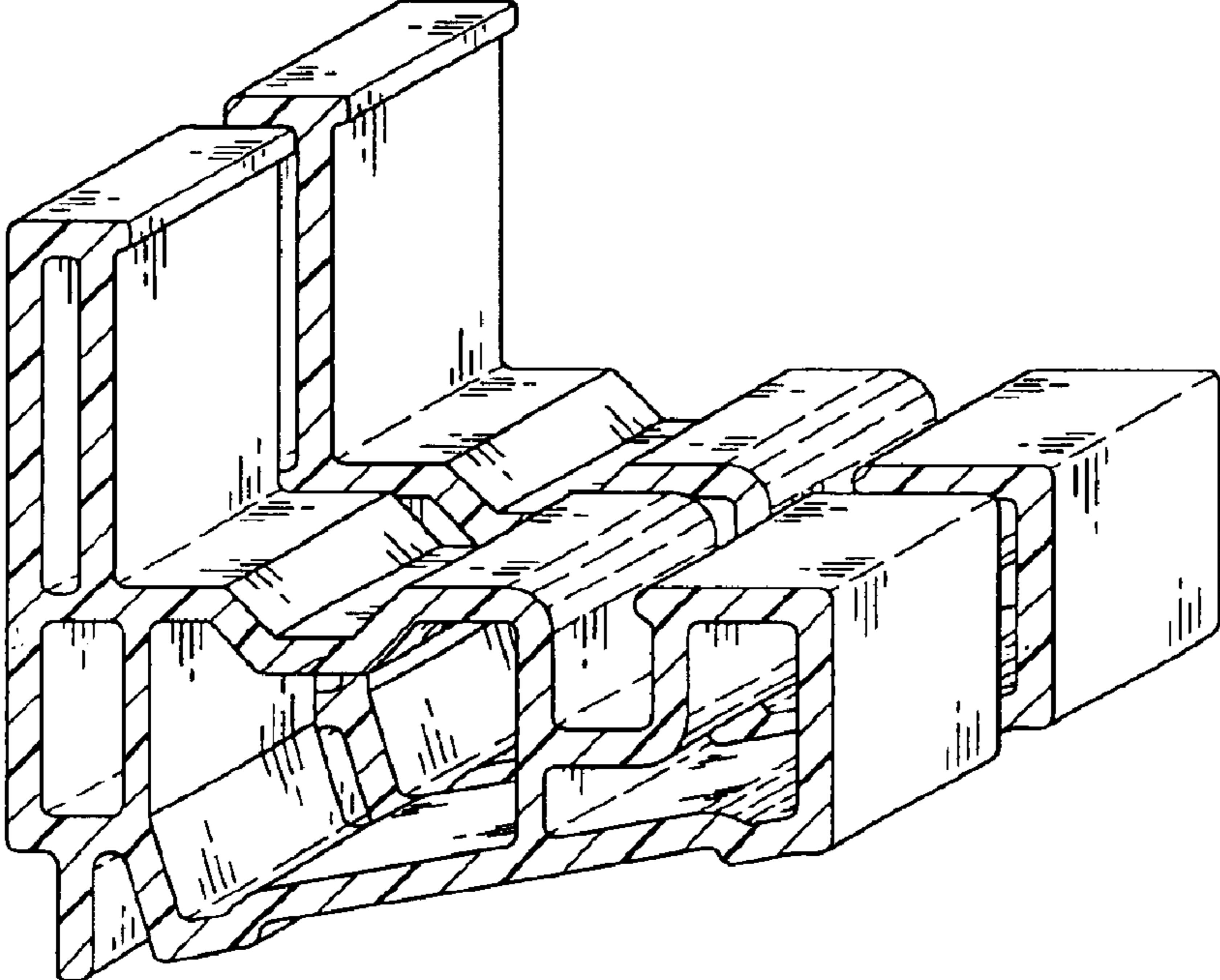


FIG. 1

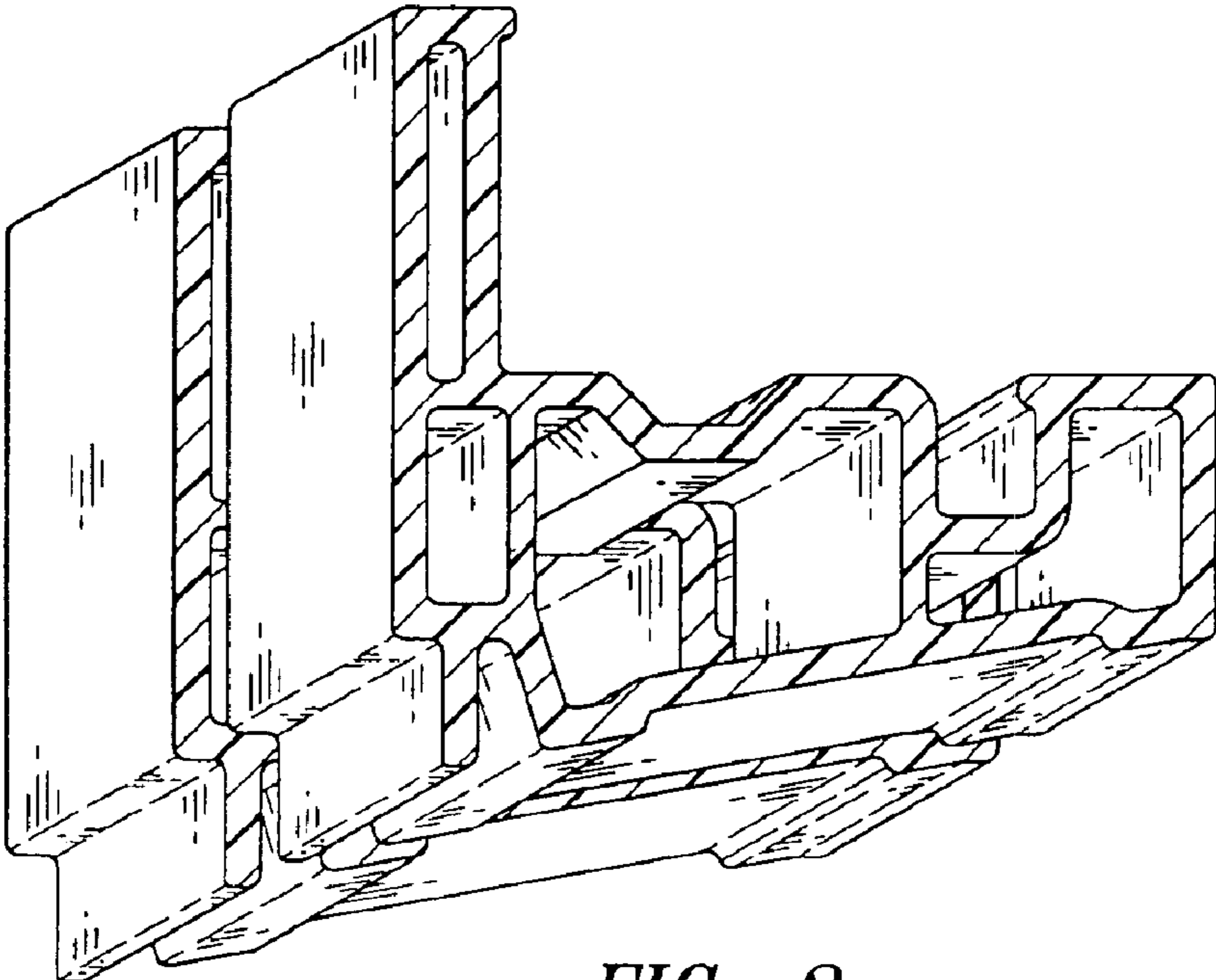


FIG. 2