



US00D504178S

(12) **United States Design Patent** (10) **Patent No.:** **US D504,178 S**  
**Zolotnik** (45) **Date of Patent:** **\*\* Apr. 19, 2005**

(54) **COMBINED SOAKING BASIN AND DISPOSABLE LINER**

(76) Inventor: **Vladimir Zolotnik**, 7308 Easthaven La., West Hills, CA (US) 91307

(\*\*) Term: **14 Years**

(21) Appl. No.: **29/180,418**

(22) Filed: **Apr. 22, 2003**

(51) **LOC (7) Cl.** ..... **28-03**

(52) **U.S. Cl.** ..... **D24/213**

(58) **Field of Search** ..... D24/213, 212, D24/211, 123; D23/278, 284; D28/56; 601/27, 70, 28; 604/293; 4/622, 619

(56) **References Cited**

**U.S. PATENT DOCUMENTS**

1,060,236	A	*	4/1913	Dodge	.....	4/622
2,061,142	A	*	11/1936	Denocenzo	.....	4/622
D215,566	S	*	10/1969	Gilson	.....	D24/123
3,851,340	A	*	12/1974	Keusch	.....	4/622
D322,320	S	*	12/1991	Cohn	.....	D24/213
D330,426	S	*	10/1992	Elkerbout	.....	D24/213
2004/0003460	A1	*	1/2004	Zolotnik	.....	4/622

\* cited by examiner

*Primary Examiner*—Ian Simmons

(74) *Attorney, Agent, or Firm*—Freilich, Hornbaker & Rosen

(57) **CLAIM**

The ornamental design for a combined soaking basin and disposable liner, as shown and described.

**DESCRIPTION**

FIG. 1 is an upper perspective view of a combined soaking basin and disposable liner my new design;

FIG. 2 is an exploded perspective view thereof;

FIG. 3 is an upper perspective view of the soaking basin, with the disposable liner removed for ease of illustration;

FIG. 4 is a top plan view;

FIG. 5 is an end elevational view thereof;

FIG. 6 is a side elevational view thereof;

FIG. 7 is a bottom plan view thereof;

FIG. 8 is a cross-sectional view thereof, taken along line 8—8 of FIG. 4;

FIG. 9 is a cross-sectional view thereof, taken along line 9—9 of FIG. 4;

FIG. 10 is an enlarged sectional view thereof, taken along line 10 of FIG. 9;

FIG. 11 is an enlarged sectional view thereof, taken along line 11 of FIG. 9;

FIG. 12 is an upper perspective view of the disposable liner, with the soaking basin removed for ease of illustration;

FIG. 13 is a top plan view thereof;

FIG. 14 is an end elevational view thereof;

FIG. 15 is a side elevational view thereof;

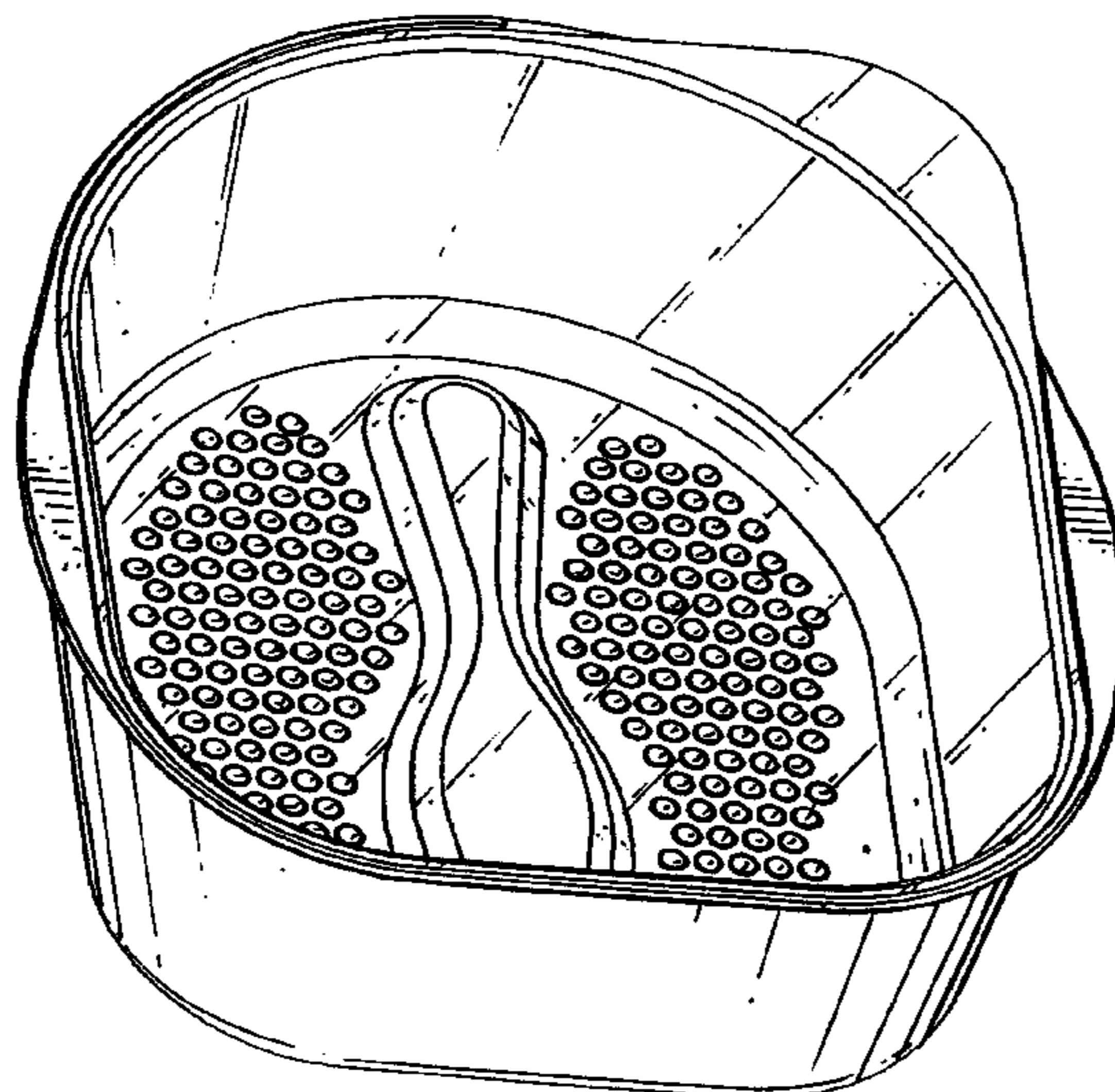
FIG. 16 is a bottom plan view thereof;

FIG. 17 is a cross-sectional view thereof, taken along line 17—17 of FIG. 13;

FIG. 18 is a cross-sectional view thereof, taken along line 18—18 of FIG. 13; and,

FIG. 19 is an enlarged sectional view thereof, taken along line 10 of FIG. 18.

**1 Claim, 10 Drawing Sheets**



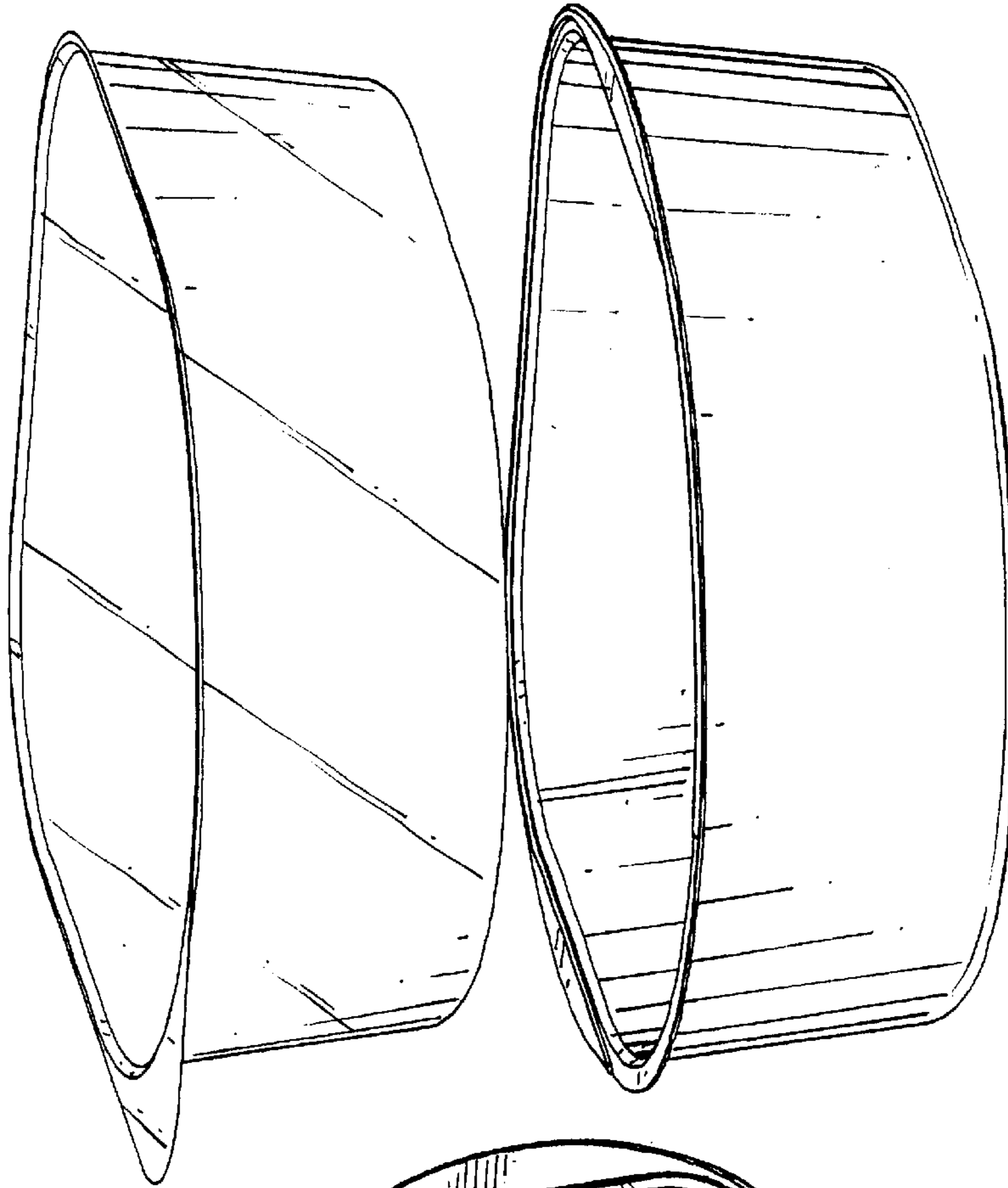


FIG. 2

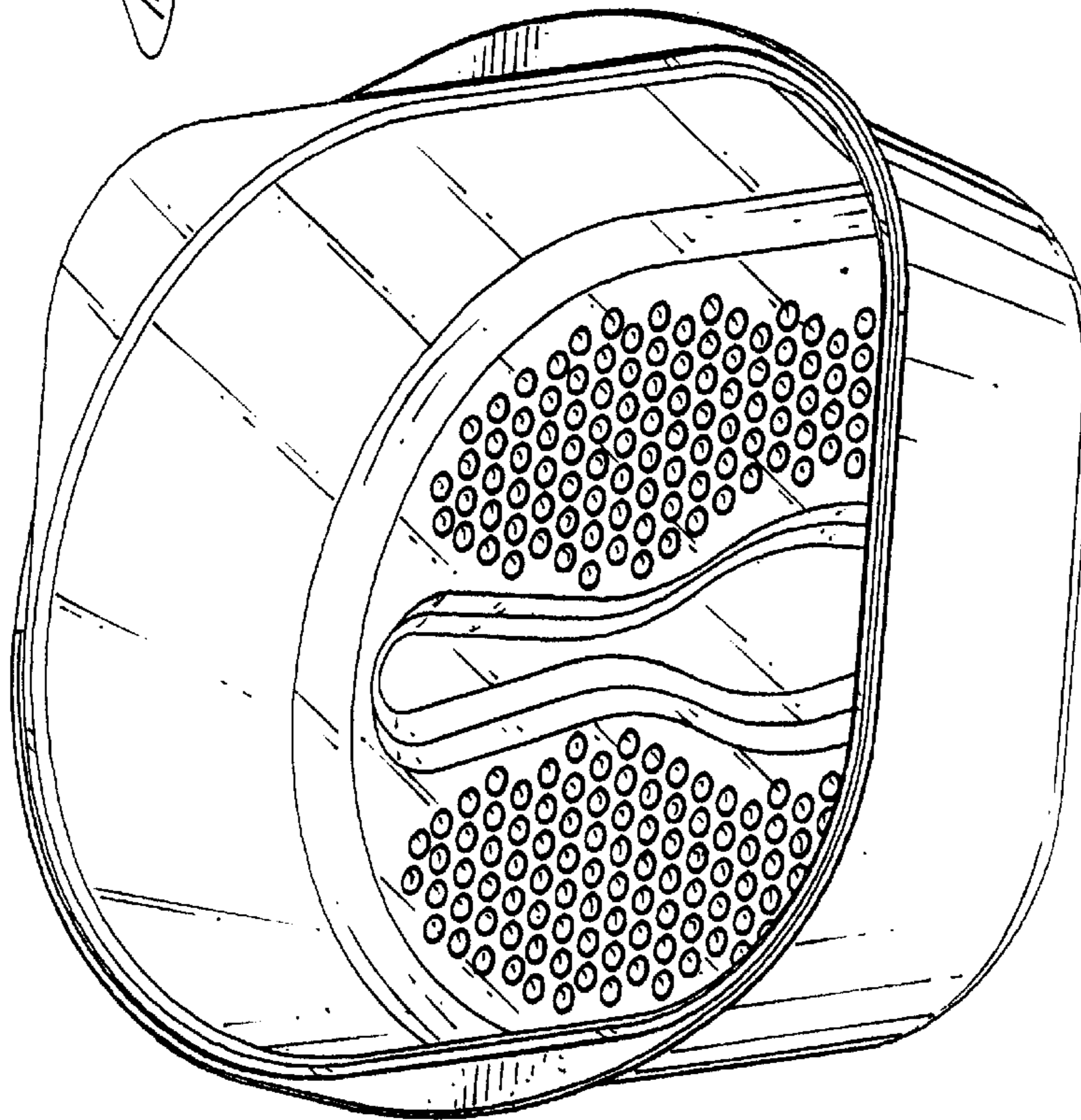


FIG. 1

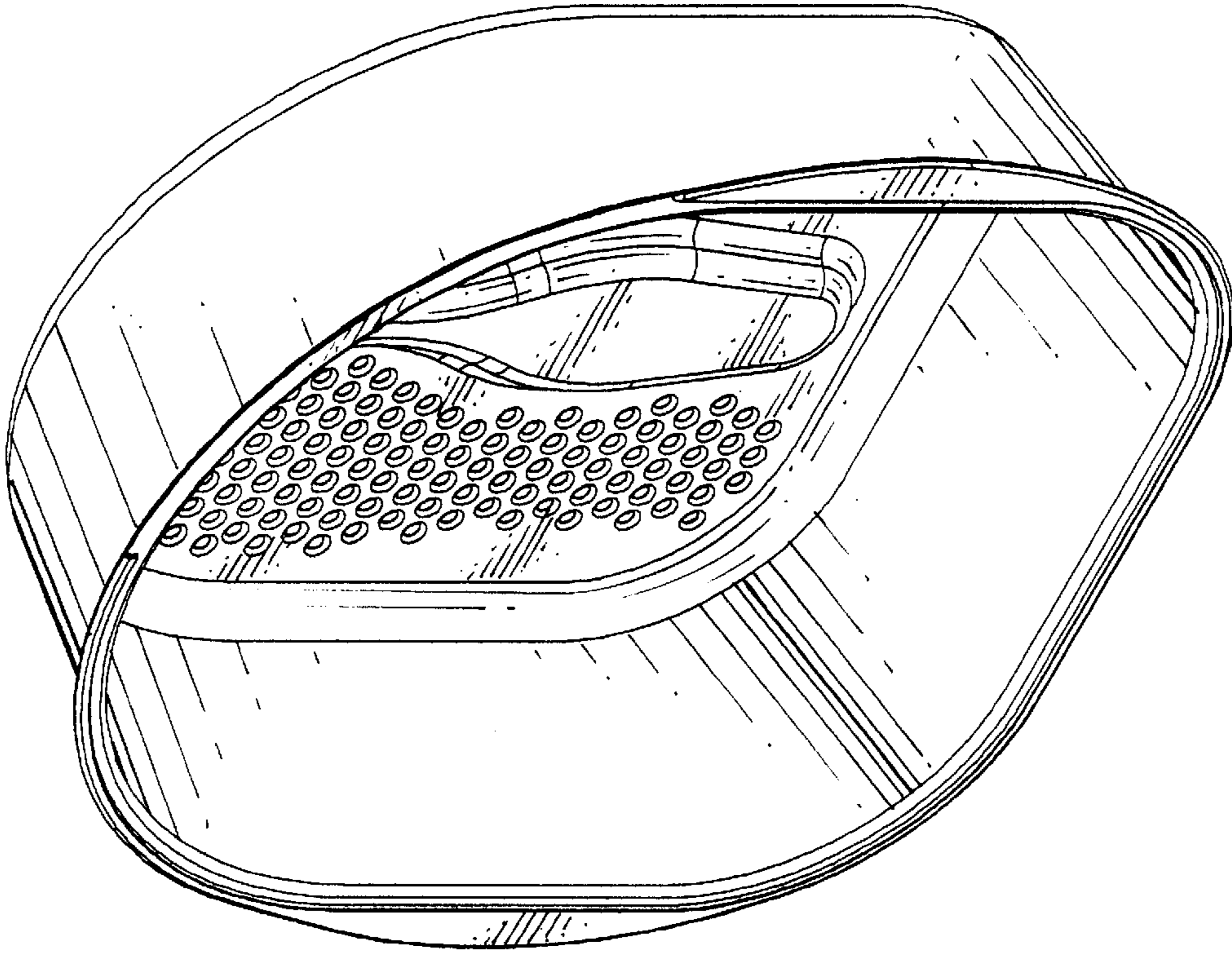


FIG. 3

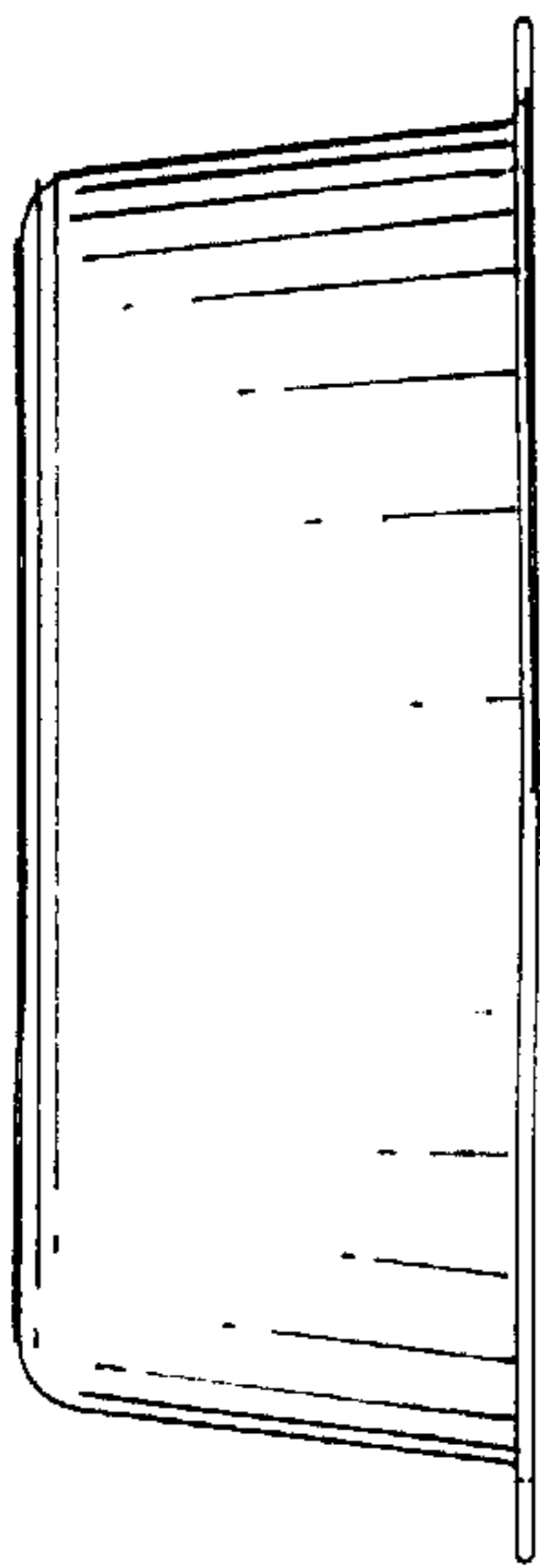


FIG. 5

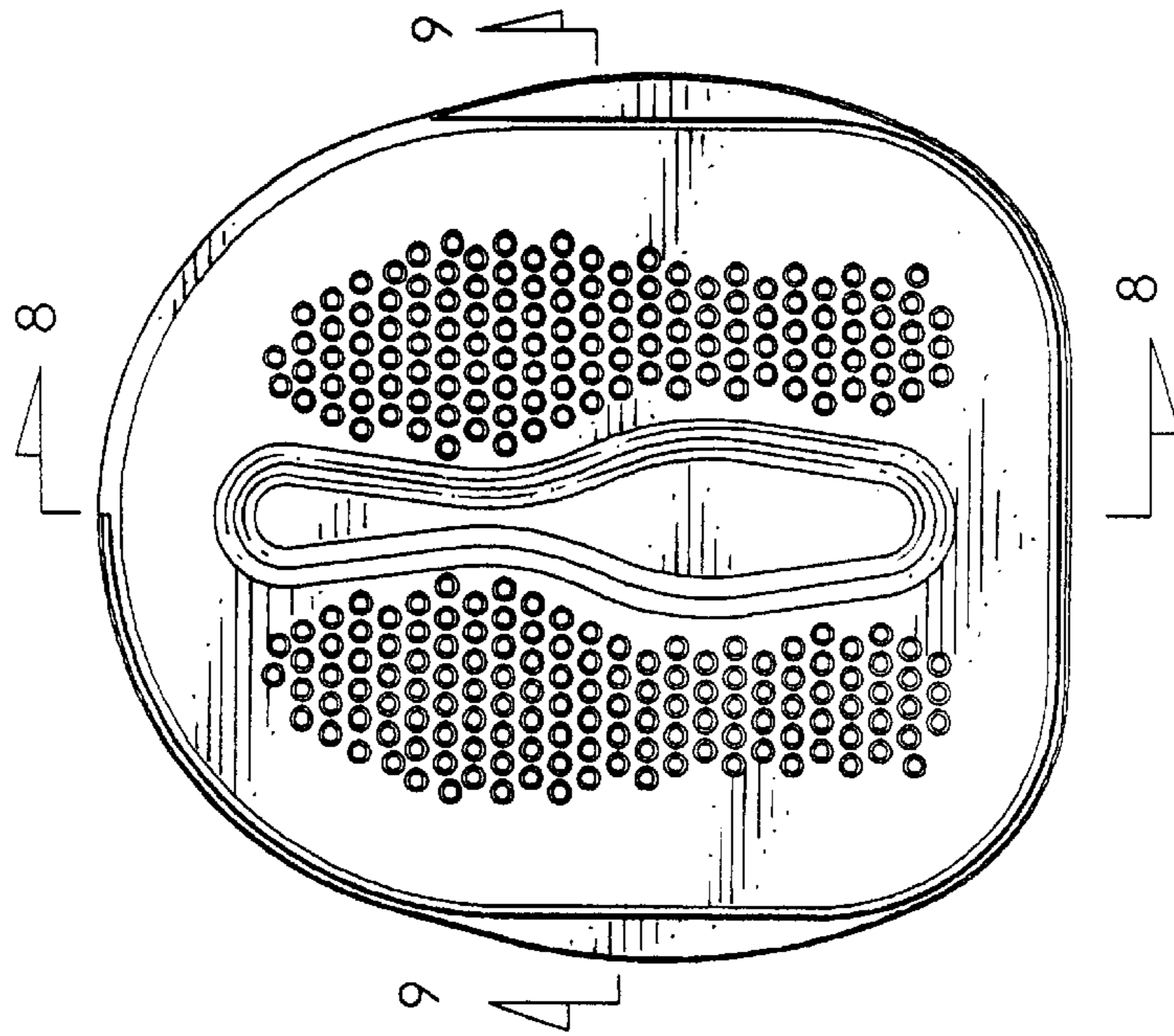


FIG. 4

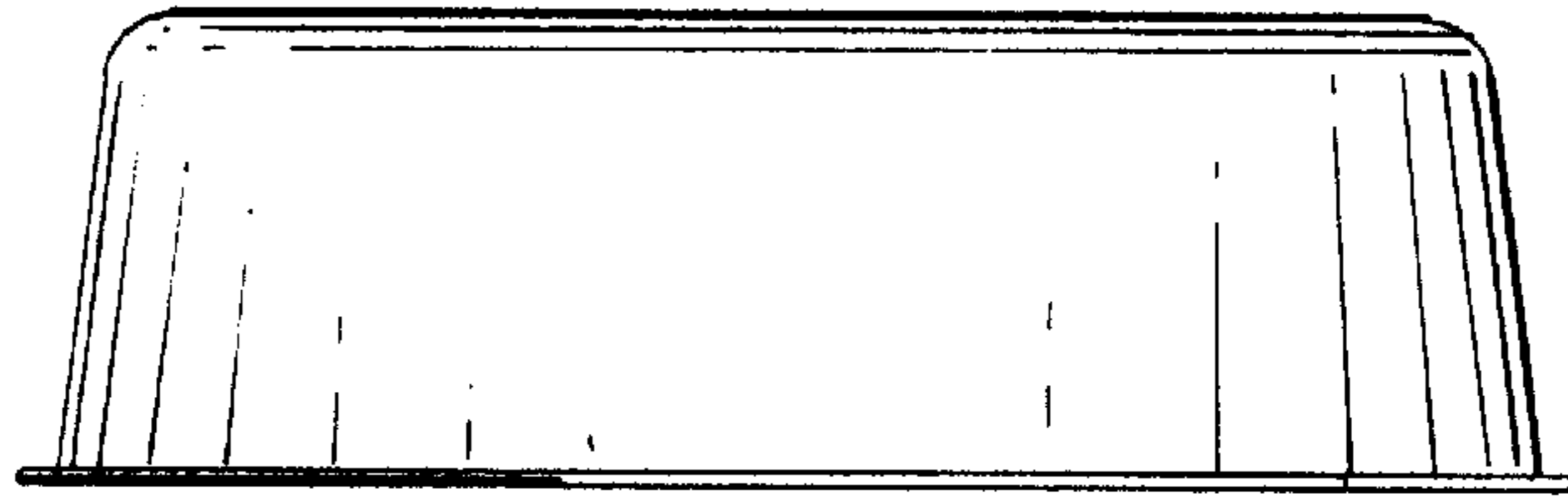


FIG. 6

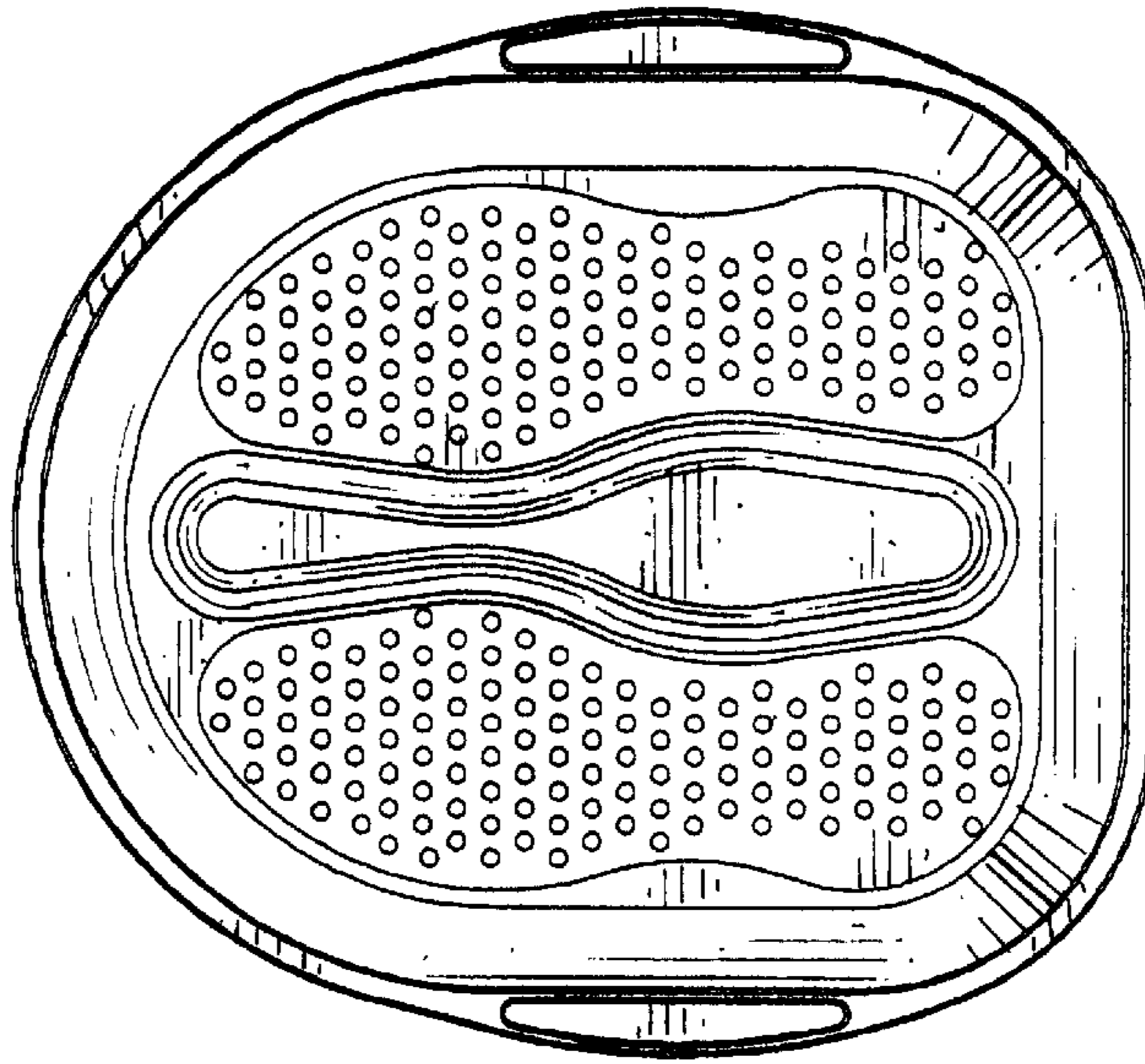


FIG. 7

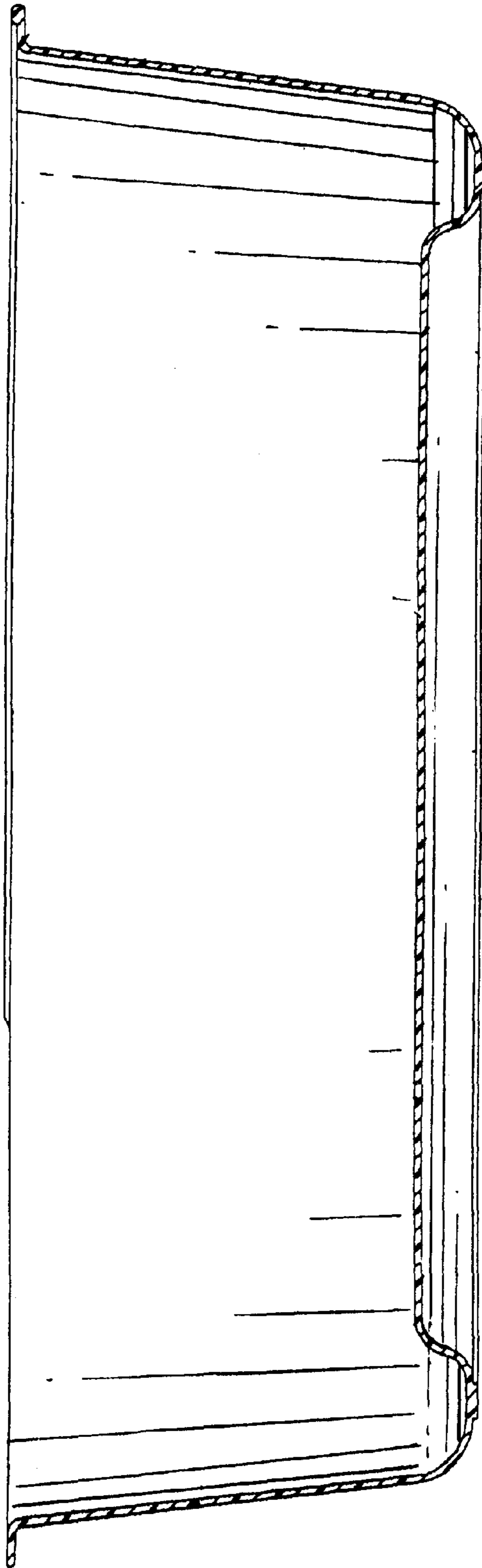


FIG. 8

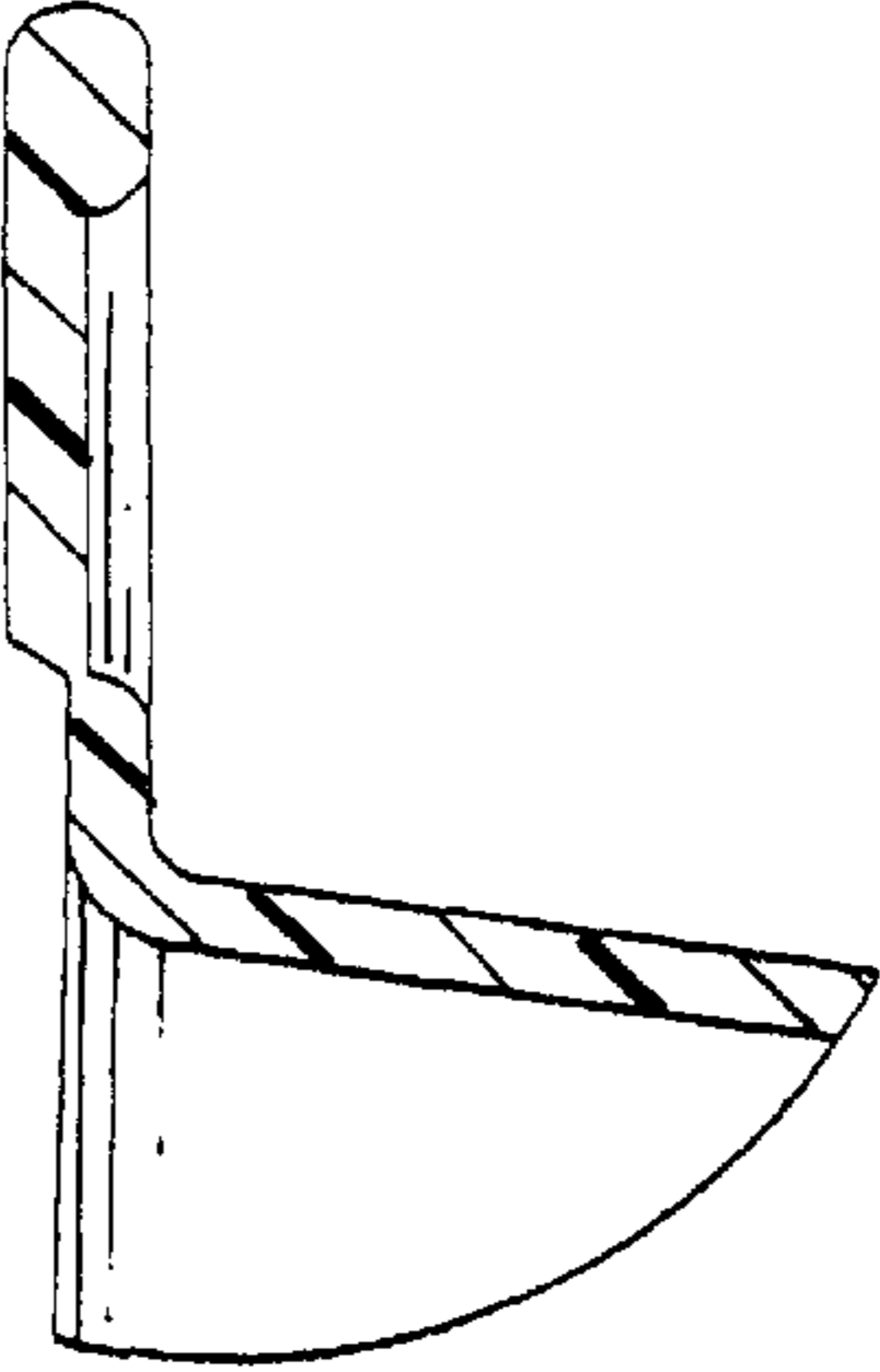
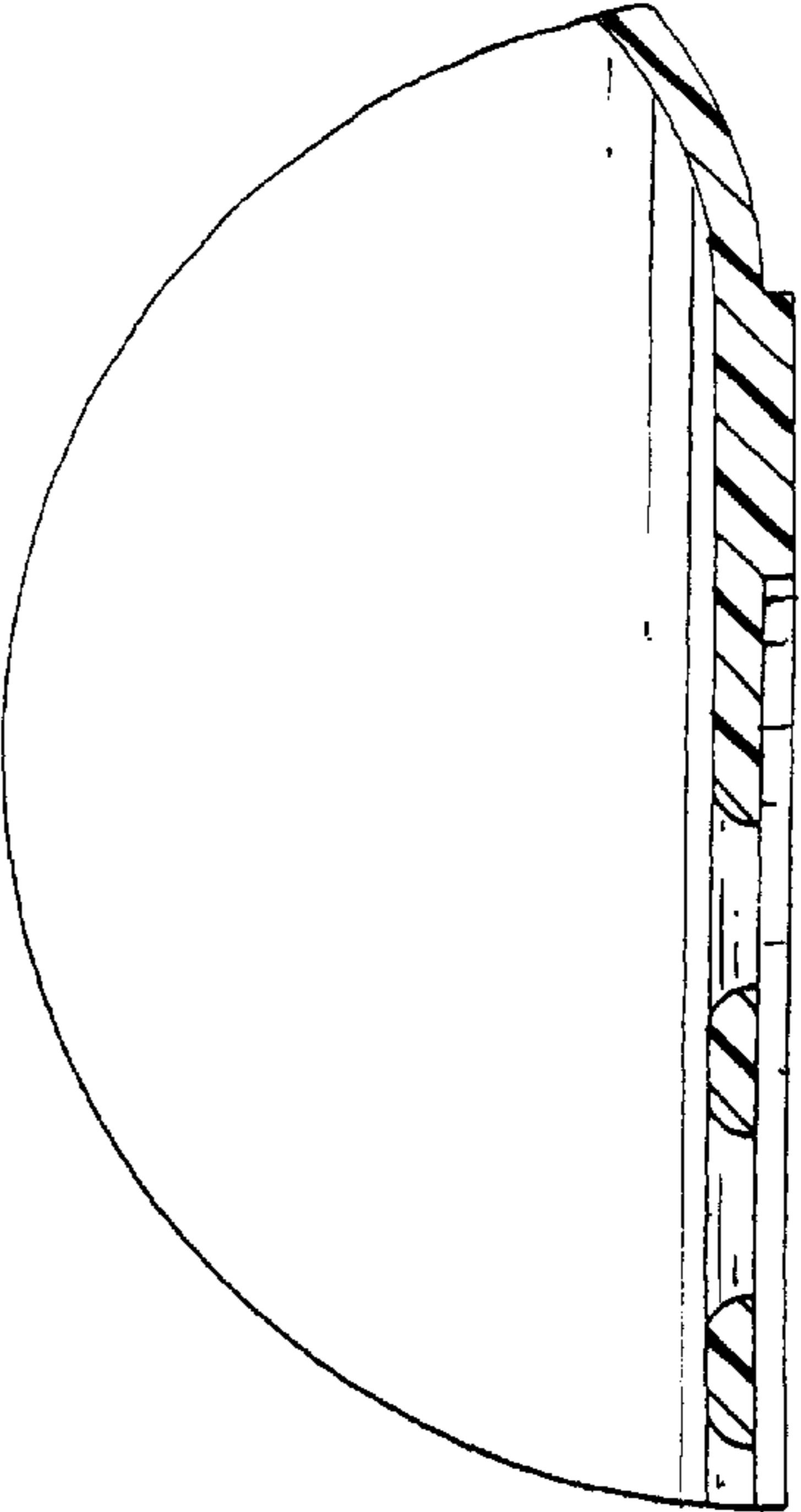
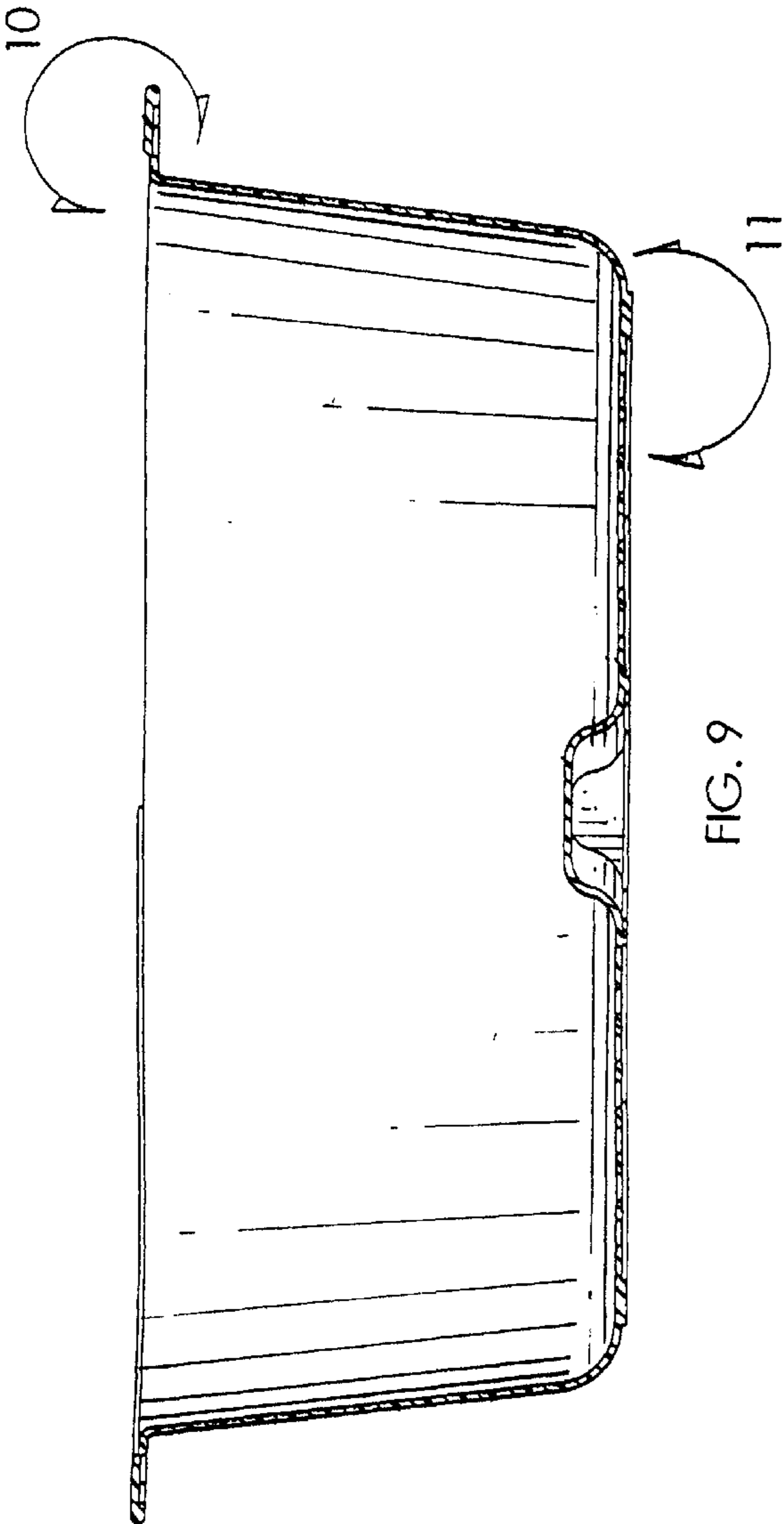


FIG. 11

FIG. 10

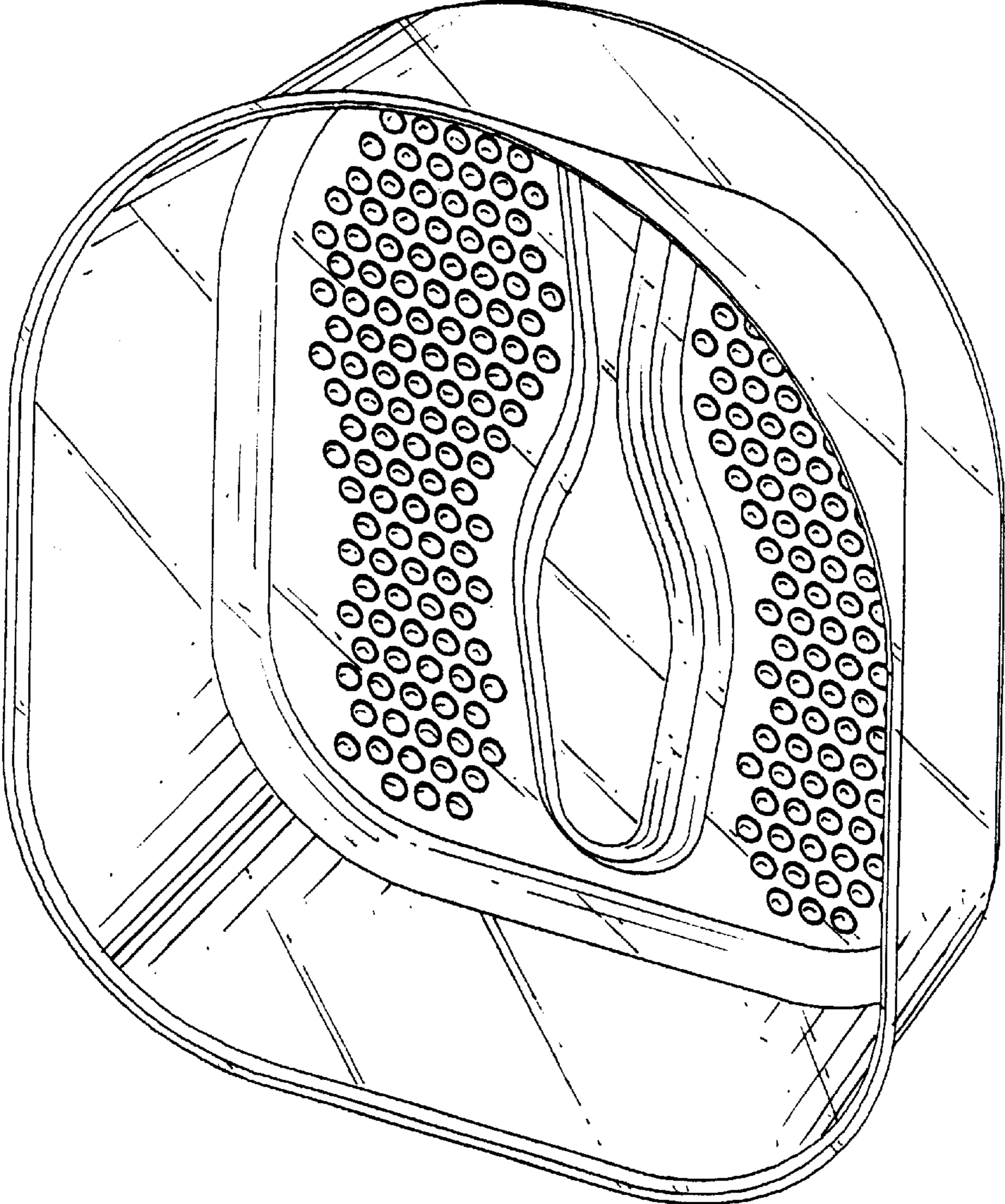


FIG. 12

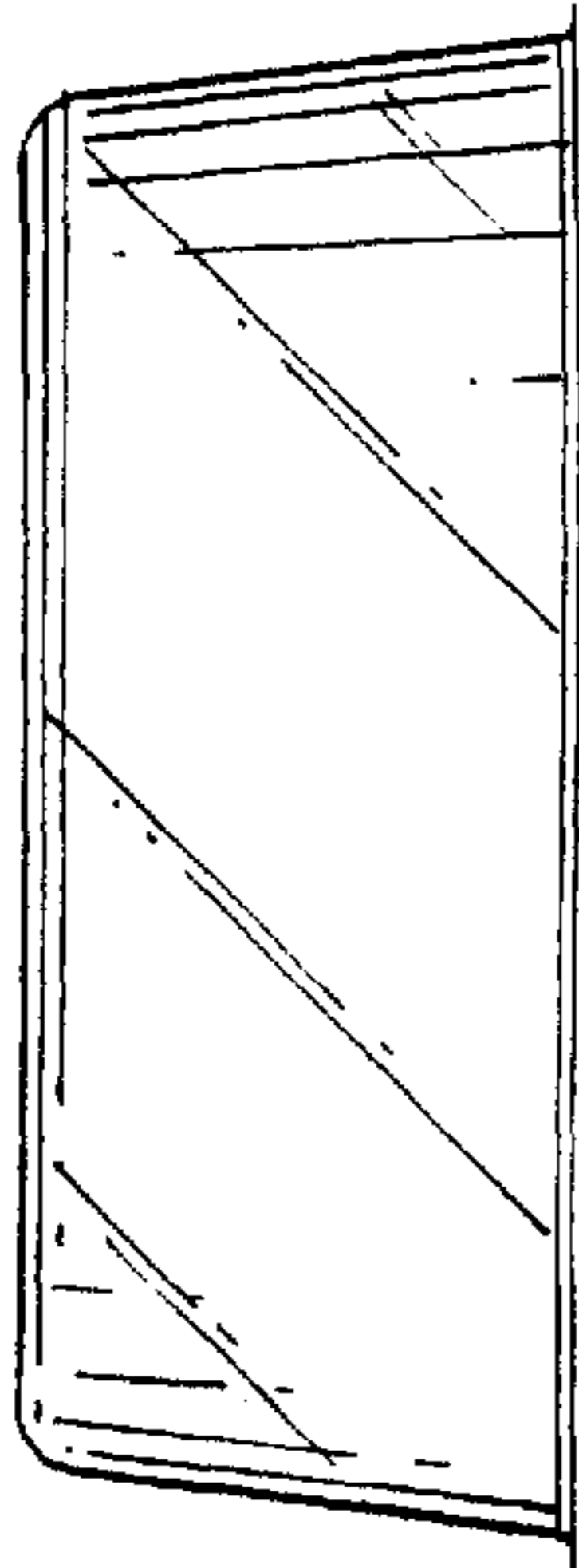


FIG. 14

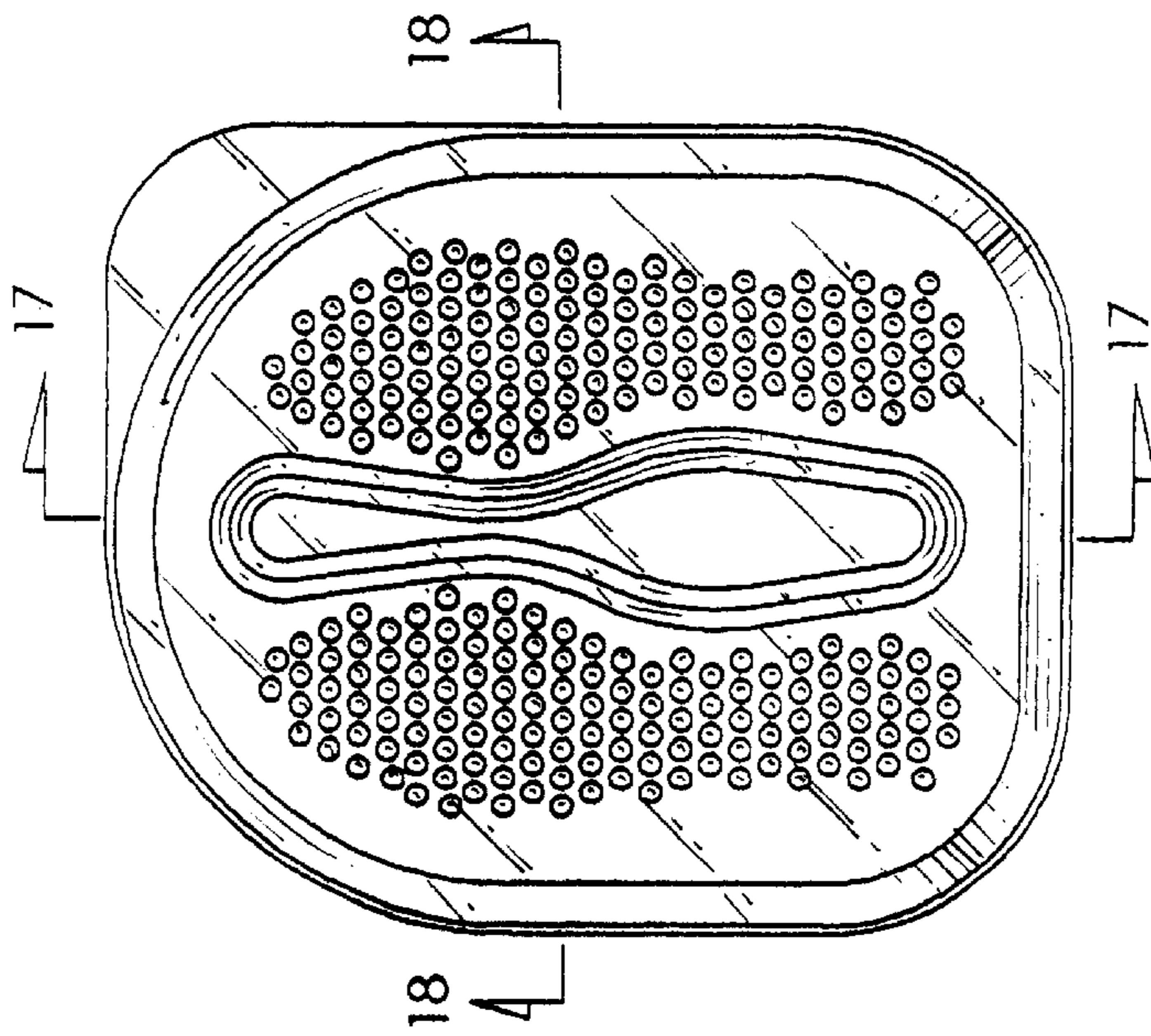


FIG. 13

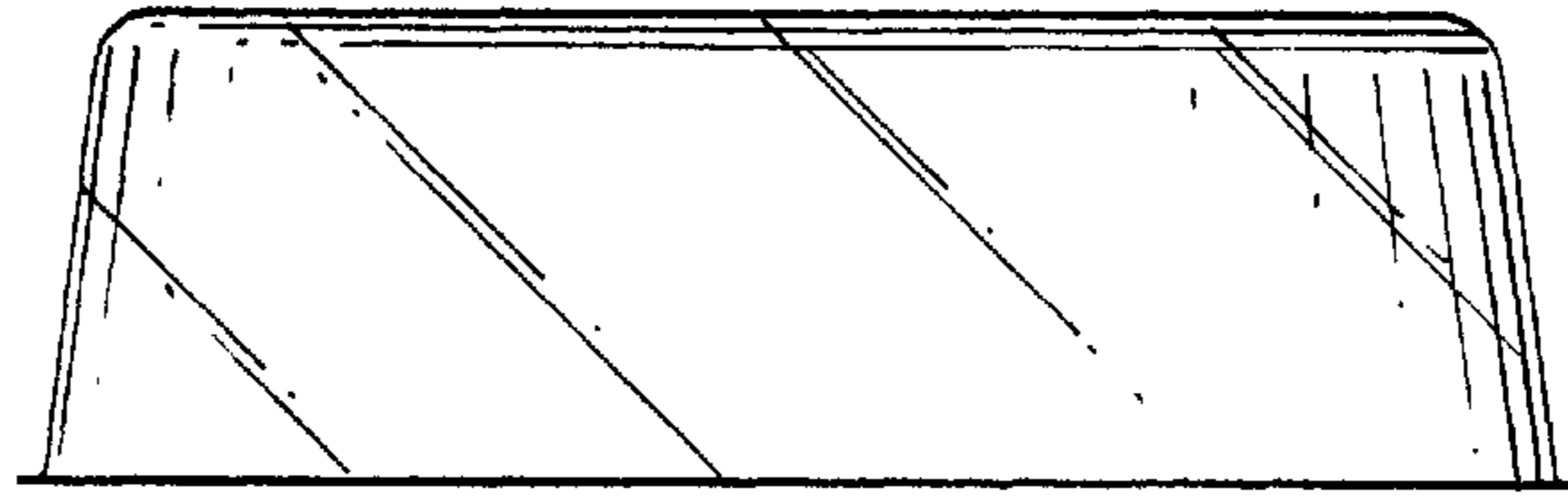


FIG. 15

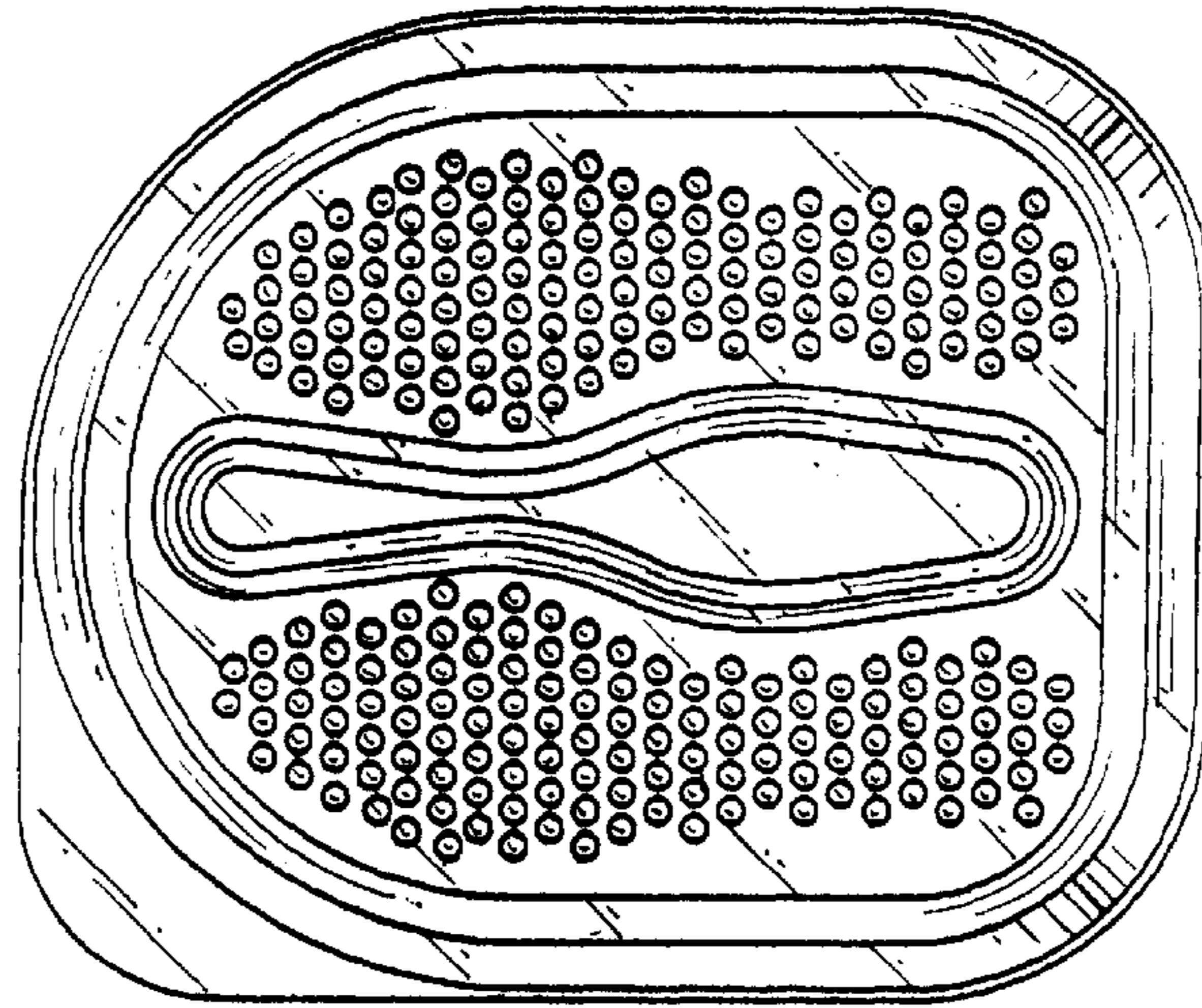


FIG. 16



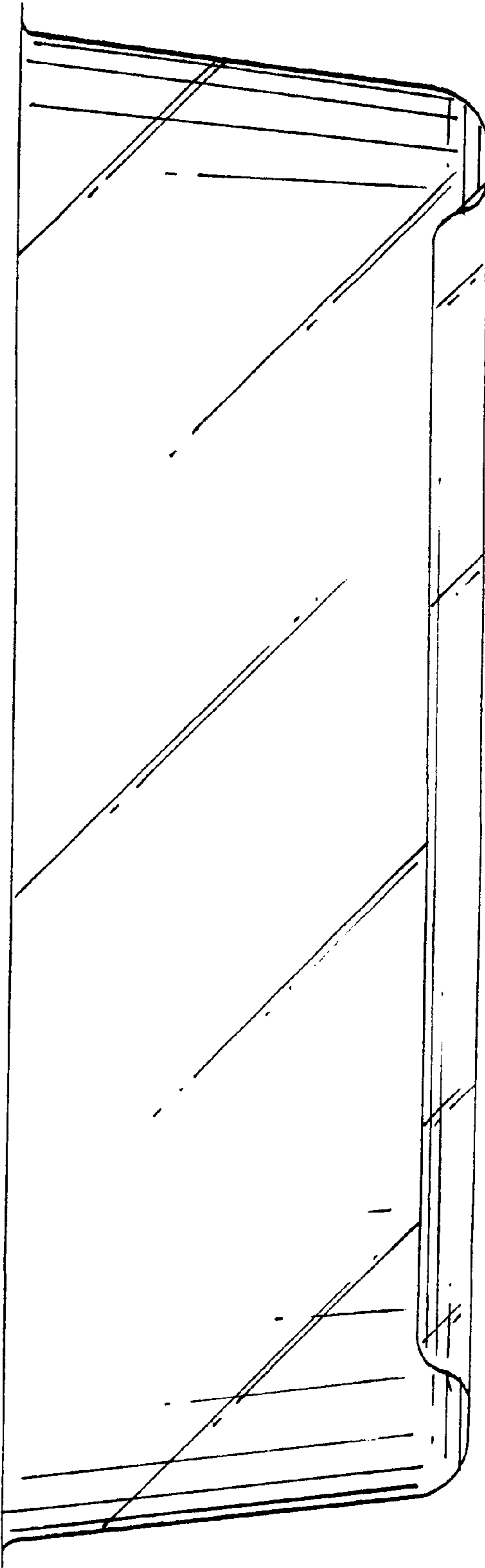


FIG. 17

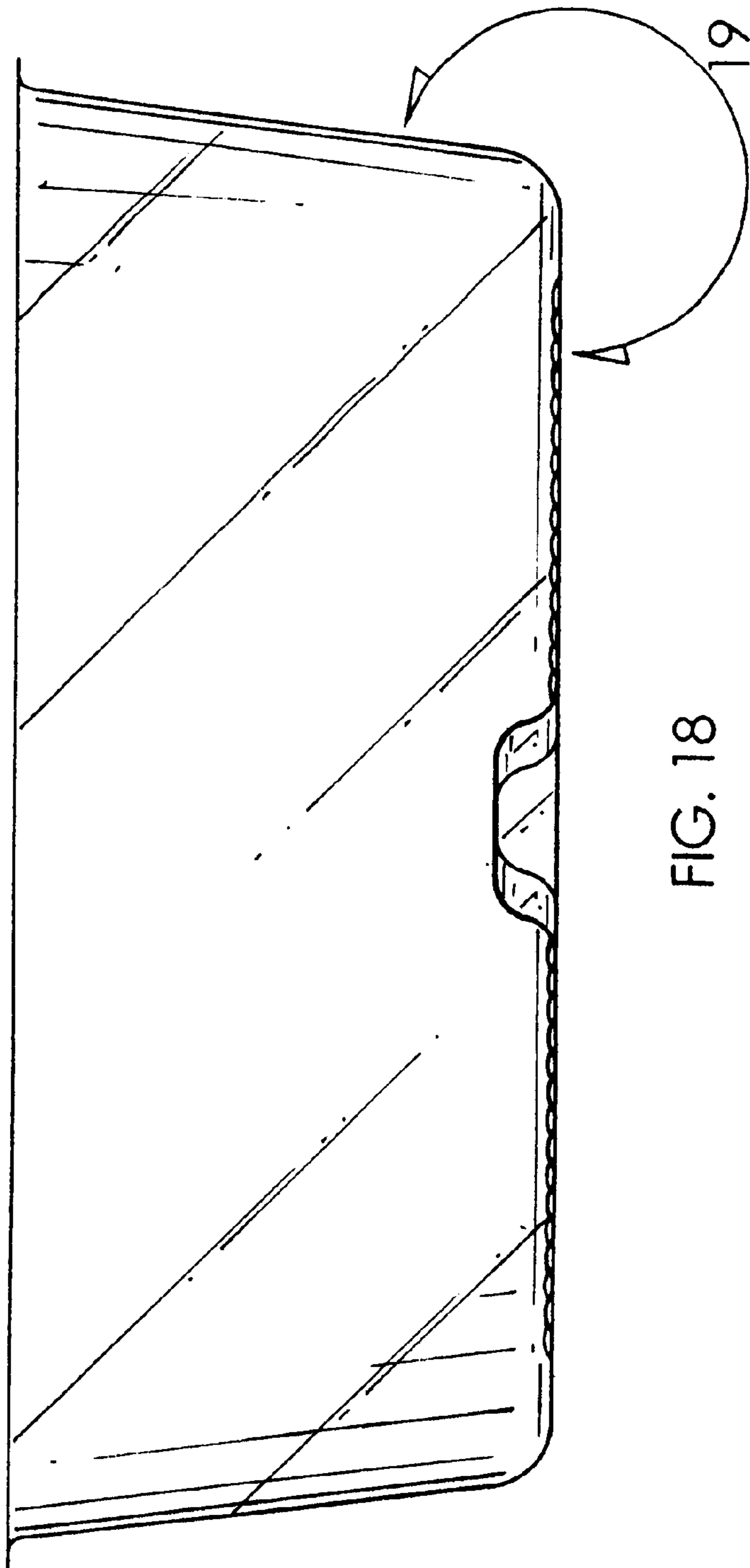


FIG. 18

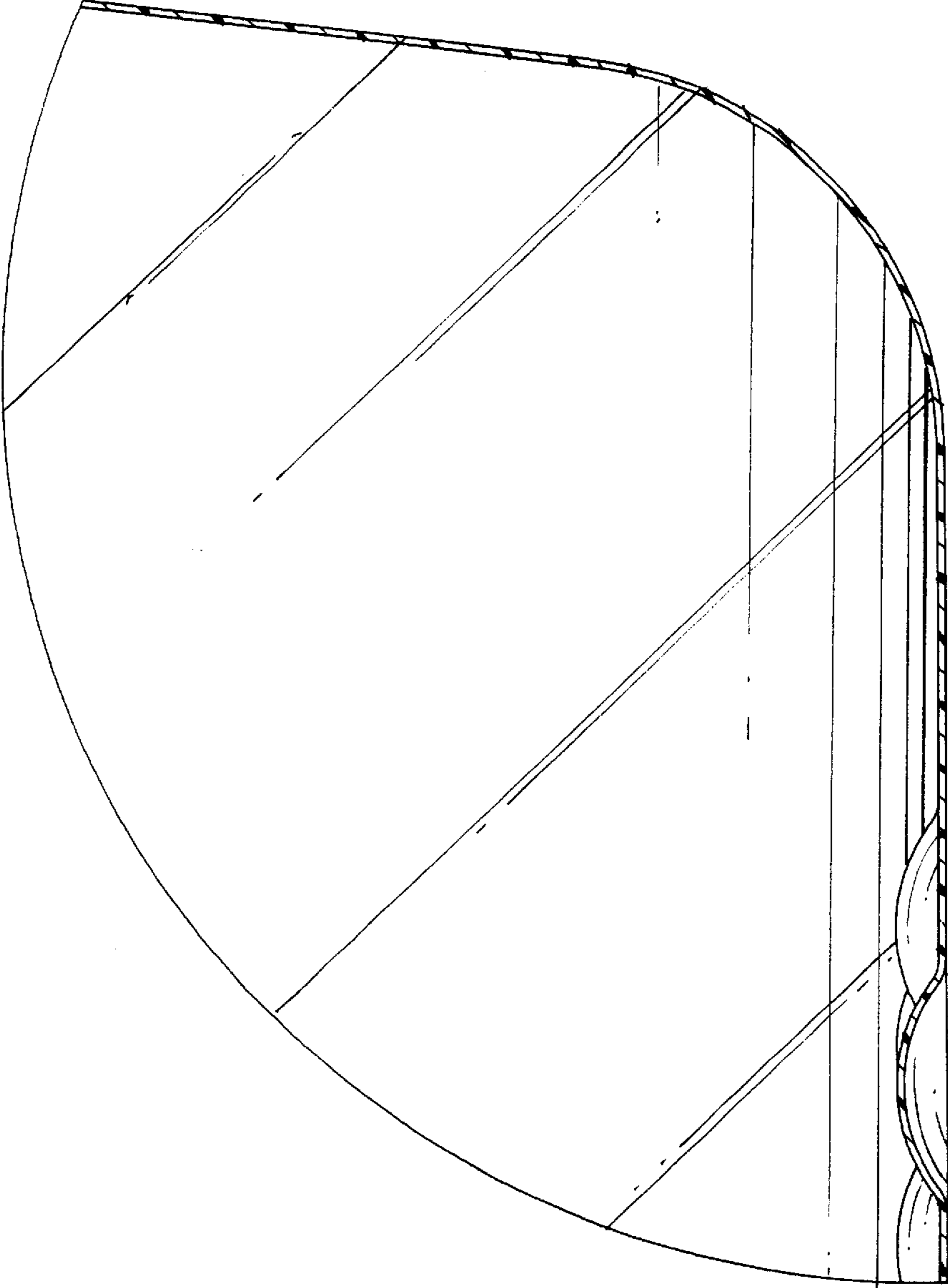


FIG. 19