

US00D504176S

(12) **United States Design Patent**
Vijfvinkel

(10) **Patent No.:** **US D504,176 S**

(45) **Date of Patent:** **** Apr. 19, 2005**

(54) **TWEEZERS**

(75) **Inventor:** **Gerrit Jan Vijfvinkel, Geervliet (NL)**

(73) **Assignee:** **D.O.R.C. Dutch Ophthalmic Research Center (International) B.V., Zuidland (NL)**

(**) **Term:** **14 Years**

(21) **Appl. No.:** **29/183,440**

(22) **Filed:** **Jun. 10, 2003**

(30) **Foreign Application Priority Data**

Dec. 11, 2002 (BX) 80155-00

(51) **LOC (7) Cl.** **24-02**

(52) **U.S. Cl.** **D24/143; D24/133**

(58) **Field of Search** D24/143, 133,
D24/150, 147, 146; D28/55; 606/205, 1,
210, 13, 206, 207, 174, 170, 162

(56) **References Cited**

U.S. PATENT DOCUMENTS

- 4,955,887 A * 9/1990 Zirm 606/170
- D328,644 S * 8/1992 Pericic D24/133
- 5,290,302 A * 3/1994 Pericic 606/206

- 5,370,658 A * 12/1994 Scheller et al. 606/205
- 5,893,873 A * 4/1999 Rader et al. 606/205
- D460,185 S * 7/2002 Etter et al. D24/143
- 6,488,695 B1 * 12/2002 Hickingbotham 606/206

OTHER PUBLICATIONS

“Disposable Instruments and Accessories” D.O.R.C. International b.v. Kingston, NH; Holland pp. 1–4 © 2002.

“It Is Rocket Science” Alcon/Grieshaber [undated].

* cited by examiner

Primary Examiner—Ian Simmons

(74) *Attorney, Agent, or Firm*—Merchant & Gould P.C.

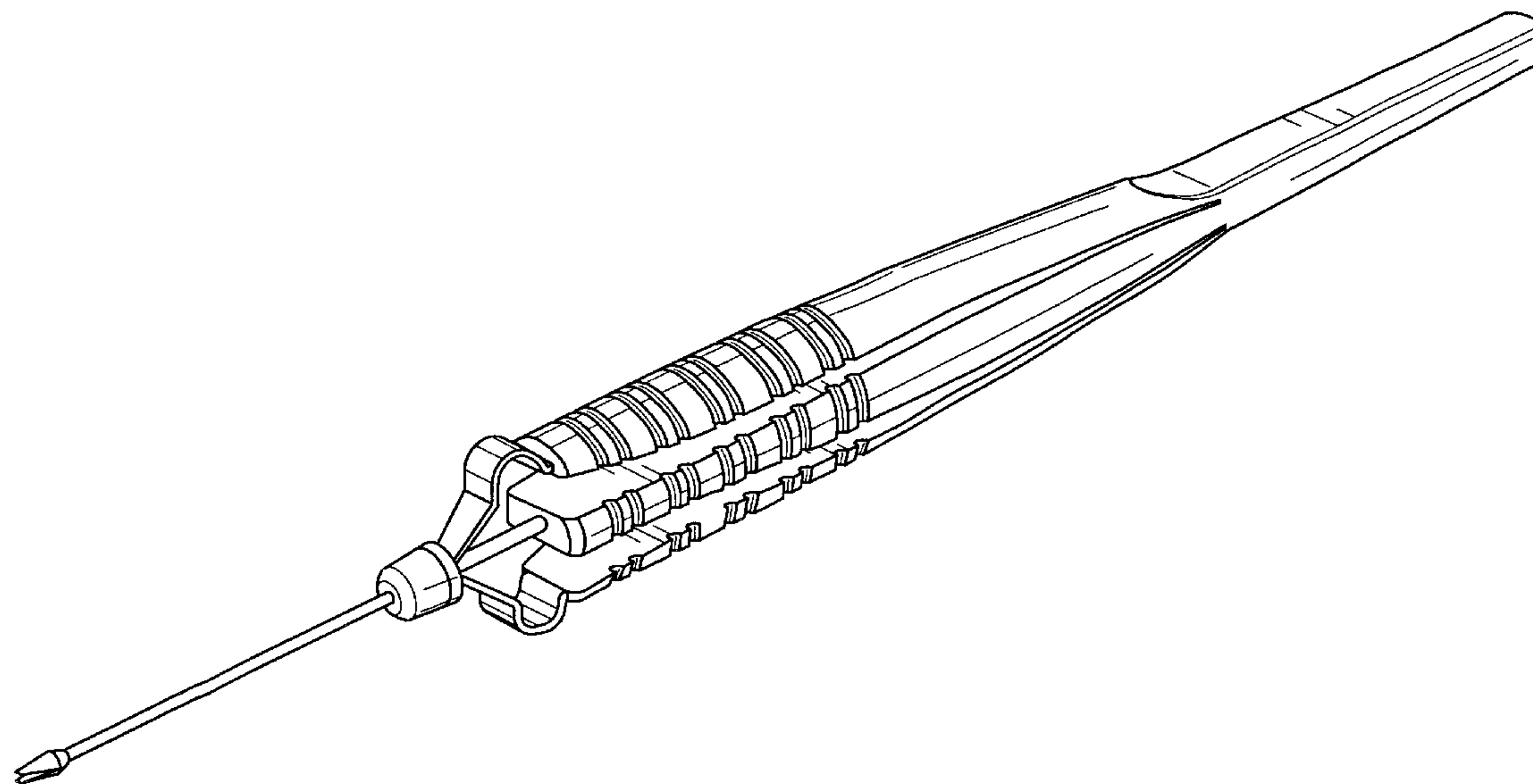
(57) **CLAIM**

The ornamental design for tweezers, as shown and described.

DESCRIPTION

FIG. 1 is a perspective view thereof;
 FIG. 2 is a left side elevational view thereof; with the right side view being a mirror image thereof;
 FIG. 3 is a top plan view thereof; with the bottom plan view being a mirror image thereof;
 FIG. 4 is a front elevational view thereof; and,
 FIG. 5 is a rear elevational view thereof.

1 Claim, 2 Drawing Sheets



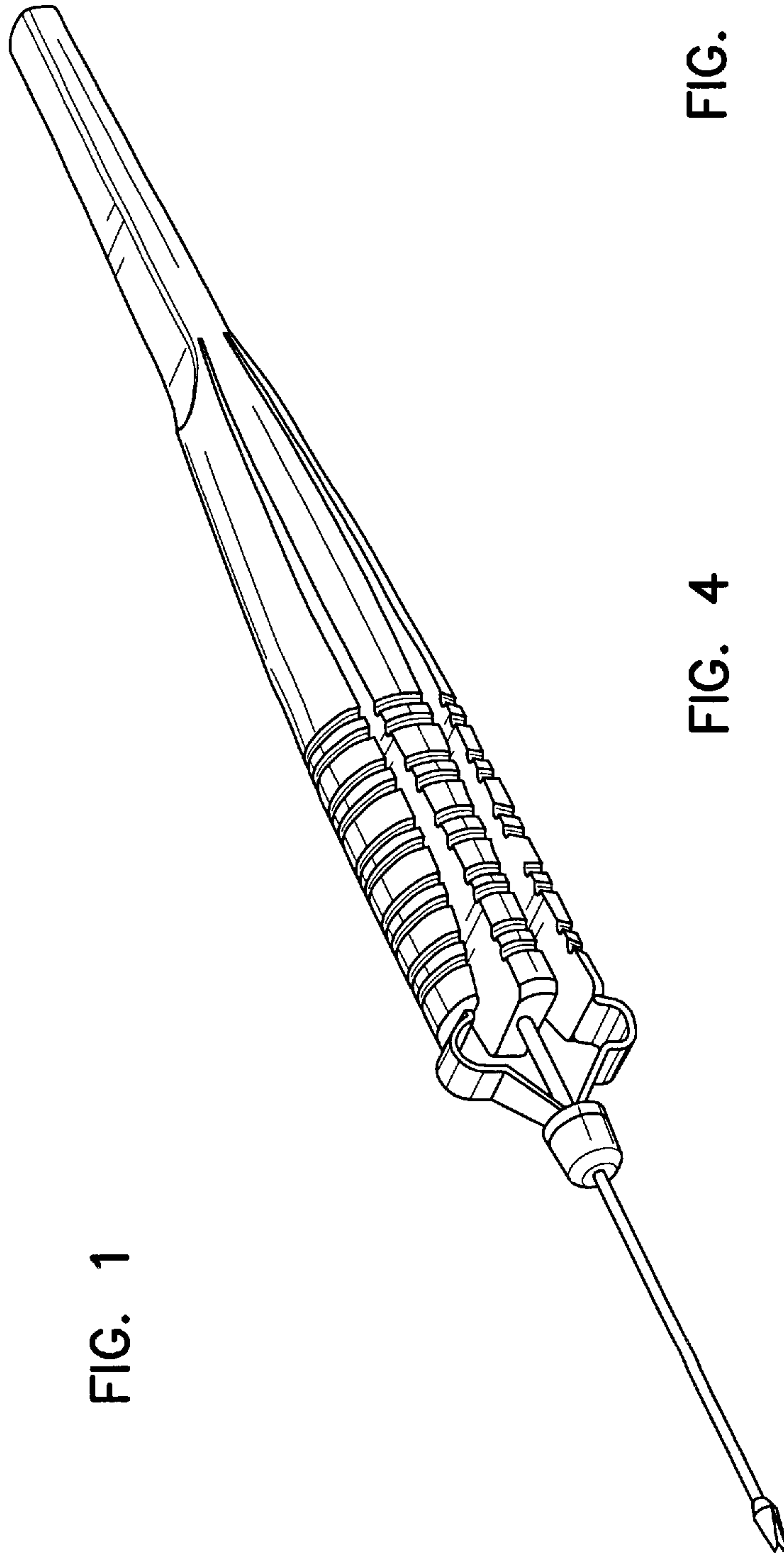


FIG. 1

FIG. 4

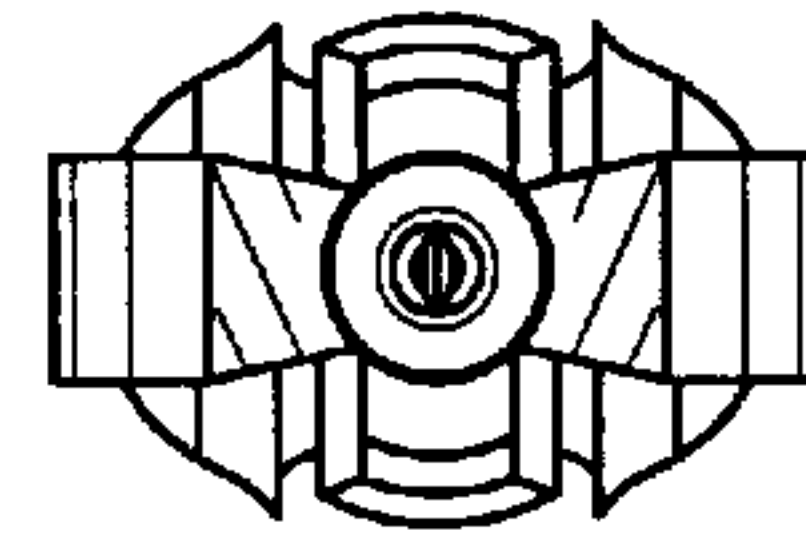
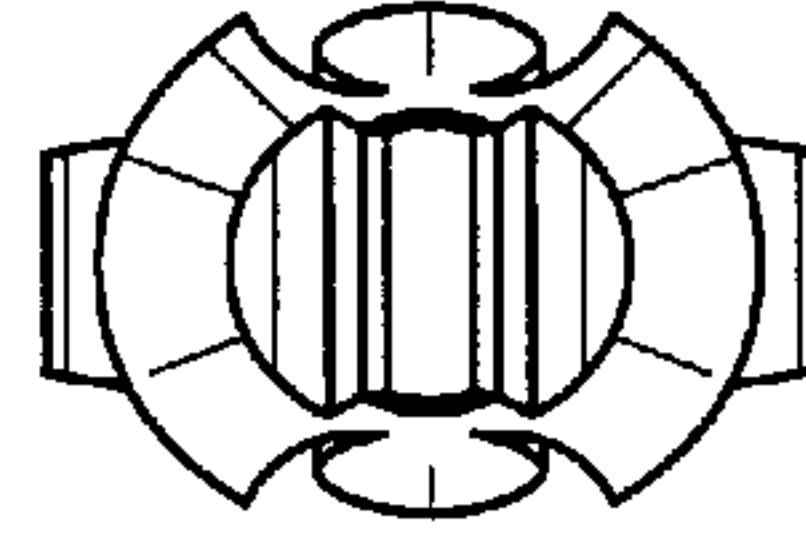


FIG. 5



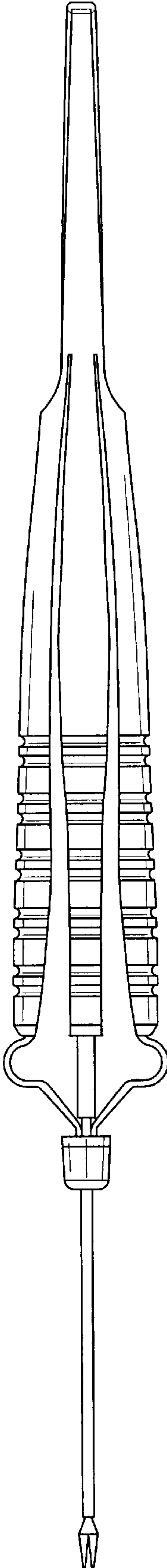


FIG. 2

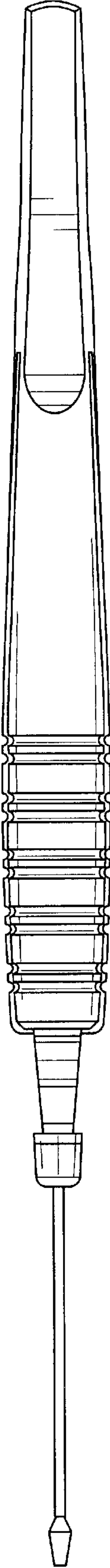


FIG. 3