



US00D504173S

(12) **United States Design Patent**
Cohen

(10) **Patent No.:** **US D504,173 S**
(45) **Date of Patent:** **** Apr. 19, 2005**

(54) **COMBINED CEILING FAN HOUSING AND LIGHT KIT**

(75) **Inventor:** **Frederick Cohen**, Los Angeles, CA (US)

(73) **Assignee:** **Air Cool Industrial Co., Ltd.**, Taichung (TW)

(**) **Term:** **14 Years**

(21) **Appl. No.:** **29/190,877**

(22) **Filed:** **Sep. 26, 2003**

(51) **LOC (7) Cl.** **23-04**

(52) **U.S. Cl.** **D23/411**

(58) **Field of Search** D23/411, 377, D23/379, 385; 416/5; D26/59, 51, 72, 81-86

(56) **References Cited**

U.S. PATENT DOCUMENTS

D483,853 S * 12/2003 Stauffer D23/411

* cited by examiner

Primary Examiner—Lisa Lichtenstein
(74) *Attorney, Agent, or Firm*—Parsons & Goltry; Michael W. Goltry; Robert A. Parsons

(57) **CLAIM**

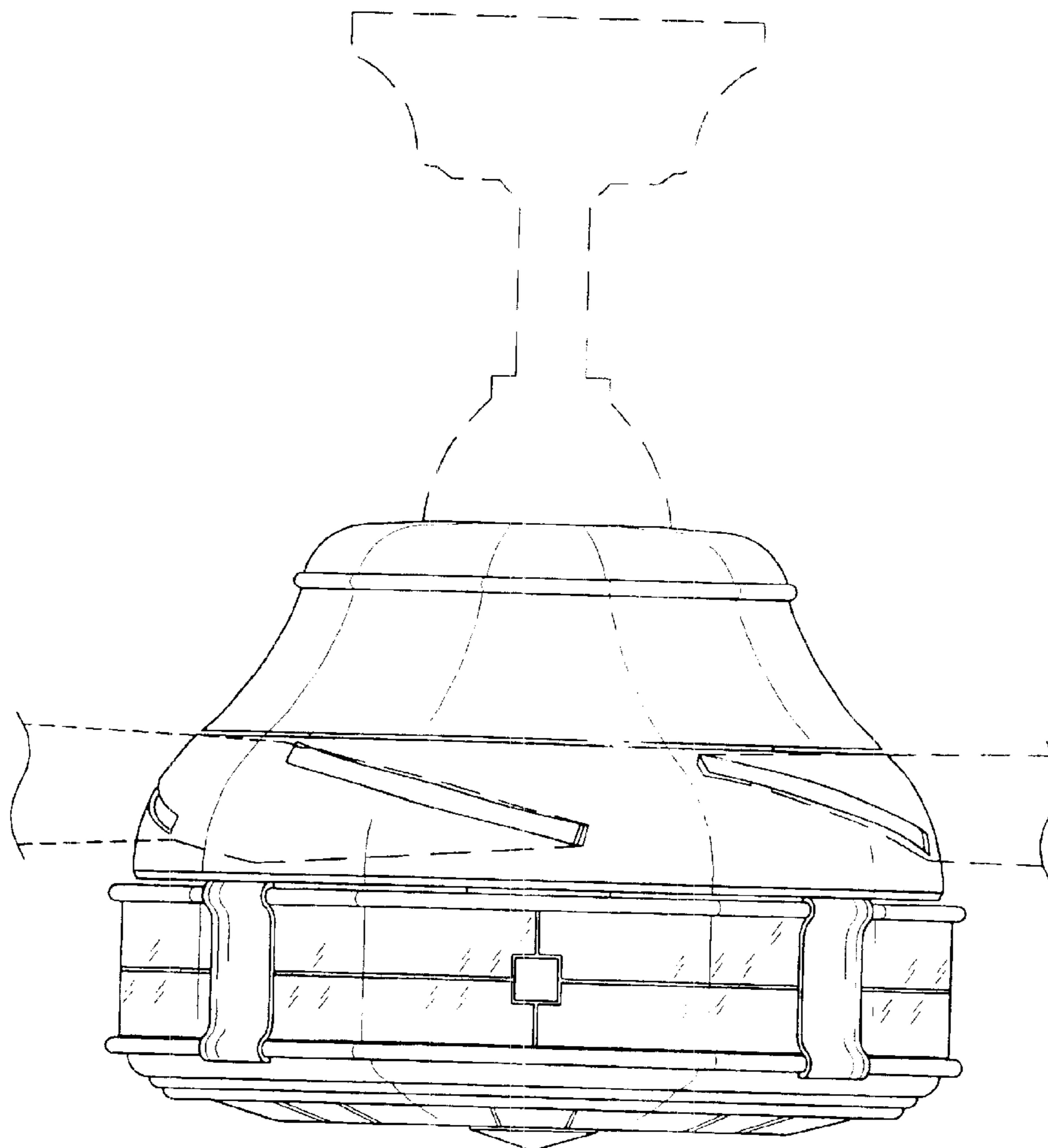
The ornamental design for a combined ceiling fan housing and light kit, as shown and described.

DESCRIPTION

FIG. 1 is a front elevational view of a combined ceiling fan housing and light kit showing my new design, the rear elevational view, the left side elevational view, and the right side elevational view being substantially the same thereof; FIG. 2 is a bottom perspective view thereof; FIG. 3 is a top perspective view thereof; FIG. 4 is a top plan view thereof; and, FIG. 5 is a bottom plan view thereof.

The broken lines in the views show environmental features, which are for illustrative purposes only and form no part of the claimed design.

1 Claim, 5 Drawing Sheets



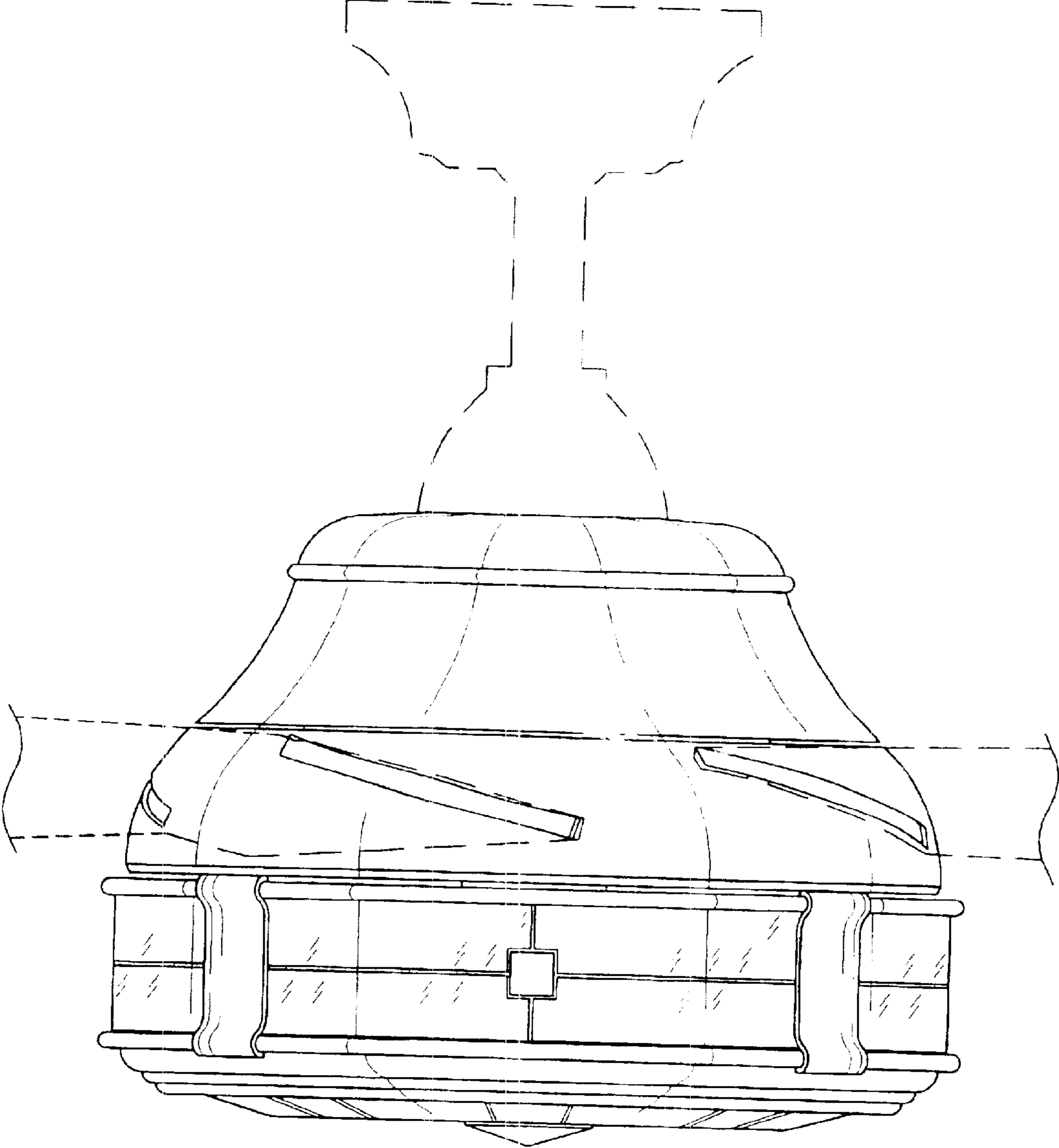


FIG. 1

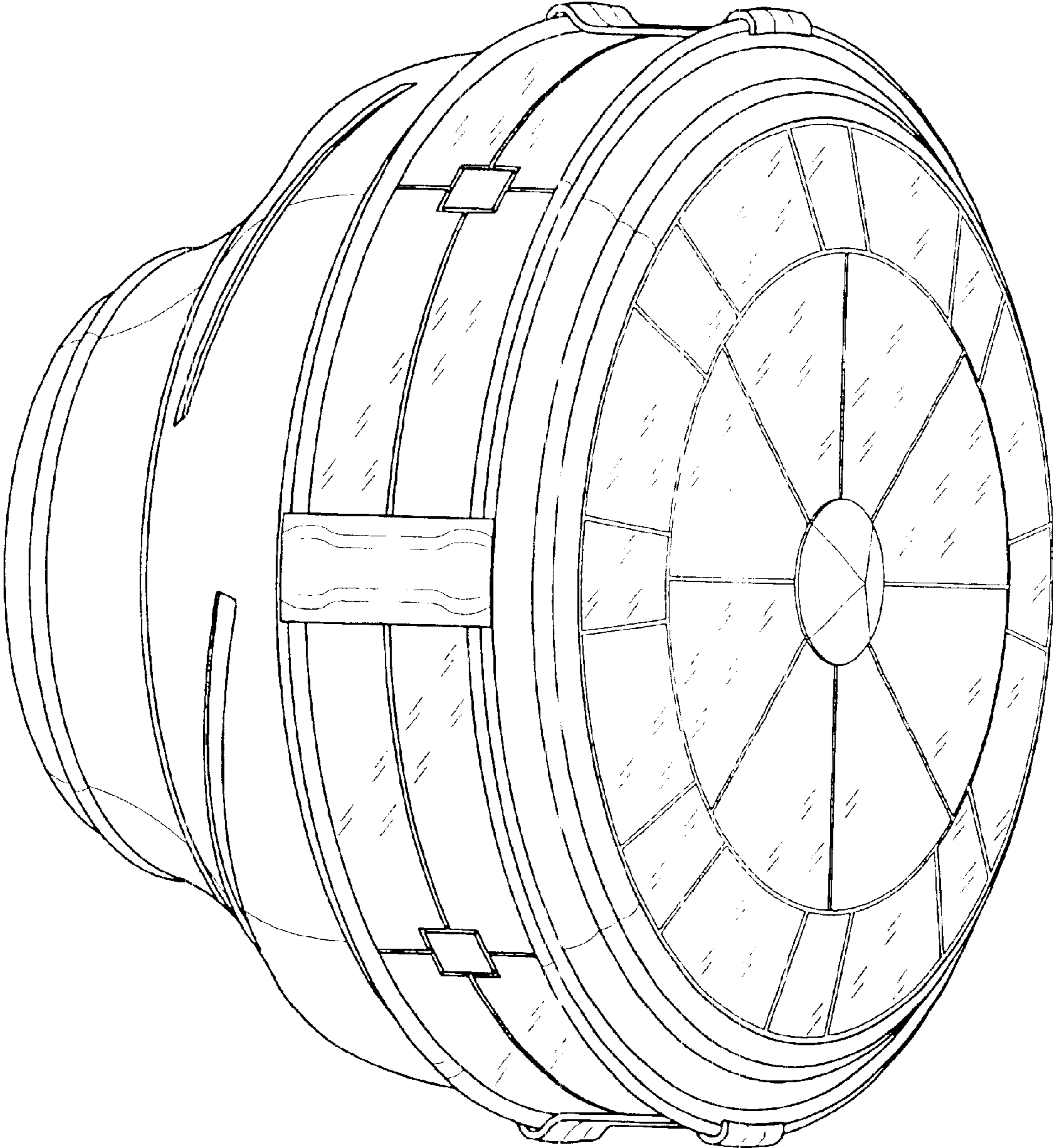


FIG. 2

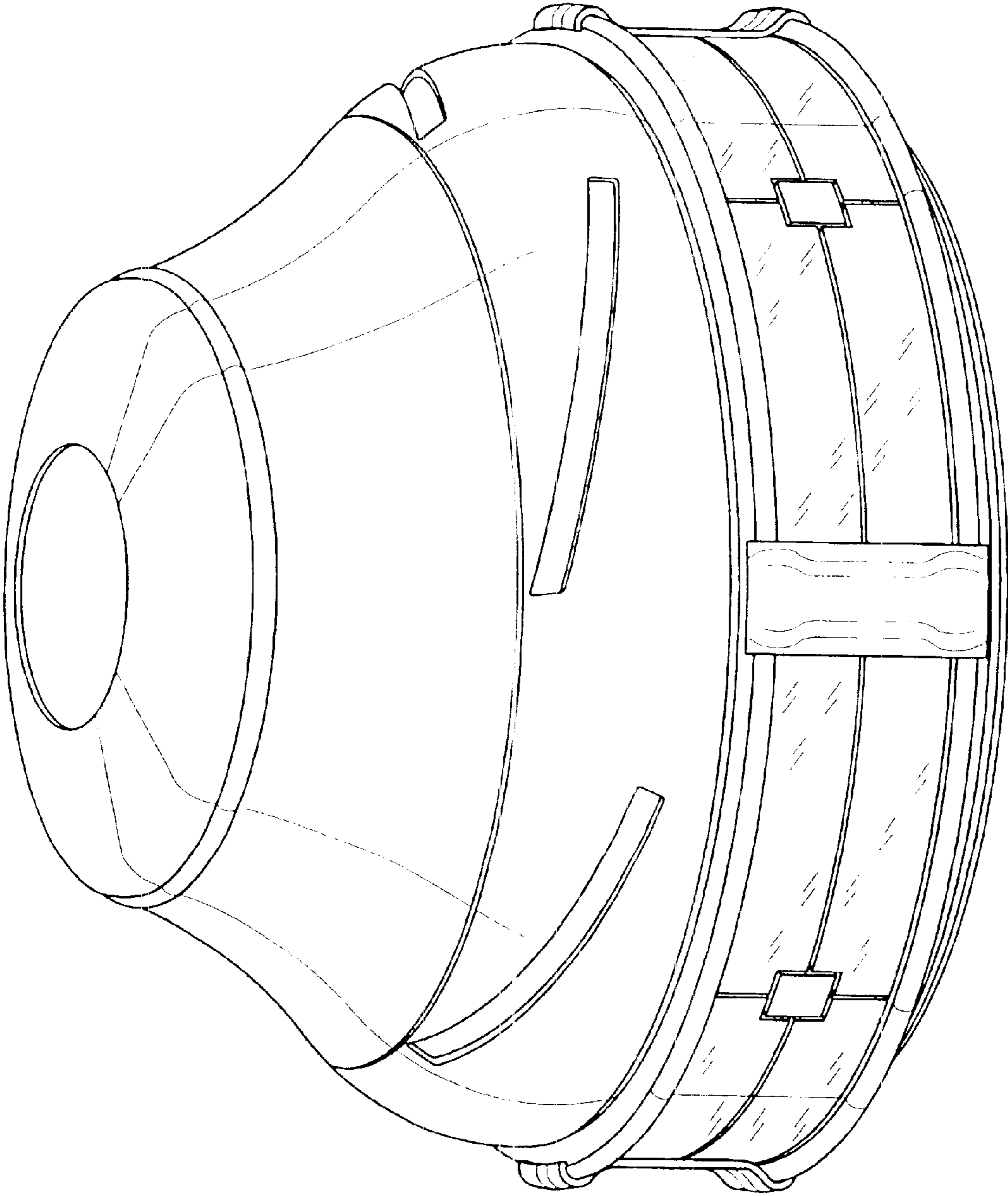


FIG. 3

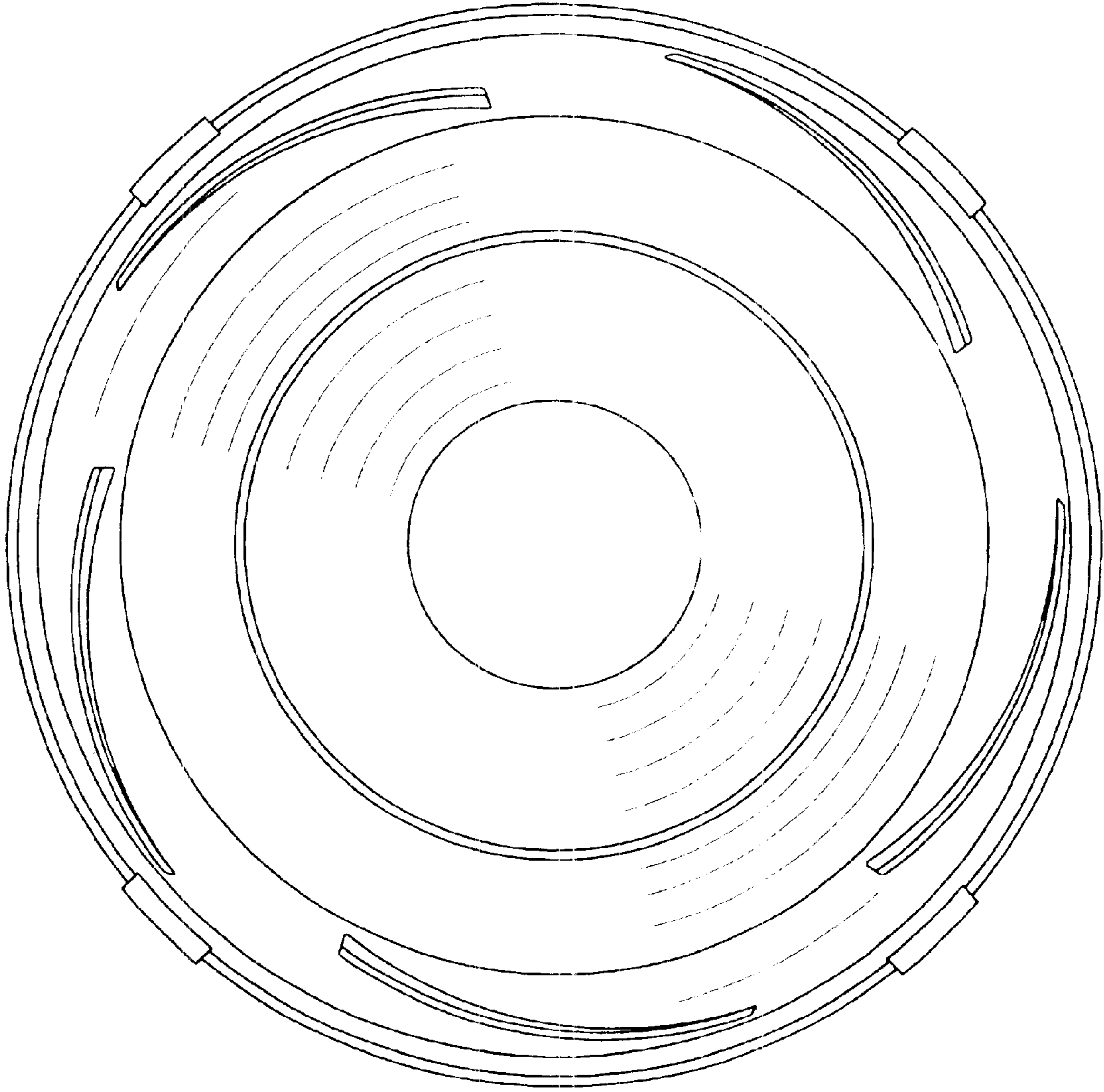


FIG. 4

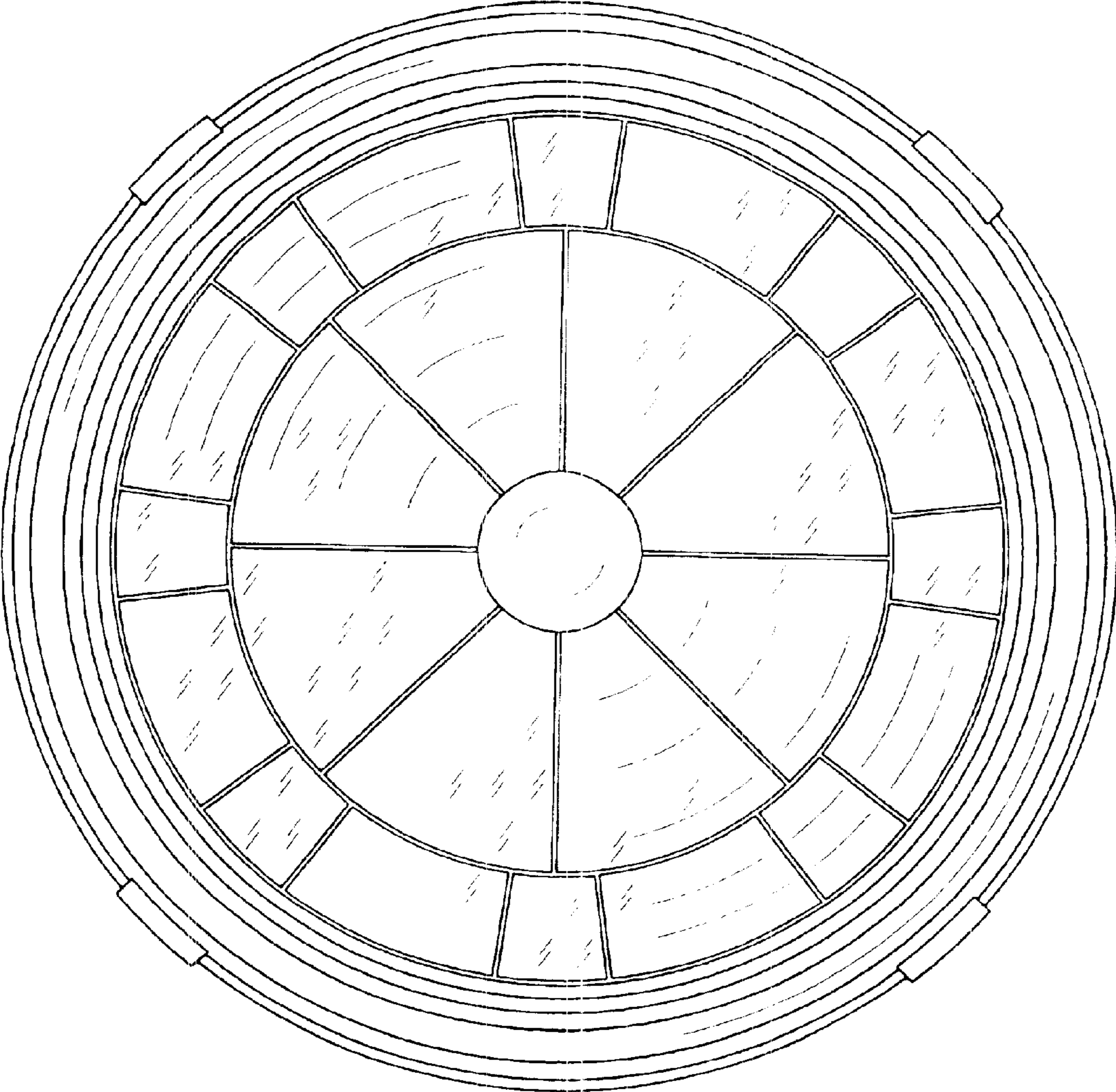


FIG. 5