

US00D504169S

(12) **United States Design Patent**
Gross et al.

(10) **Patent No.:** **US D504,169 S**
(45) **Date of Patent:** **** Apr. 19, 2005**

(54) **SINK**

(75) **Inventors:** **Wolfgang Gross**, Moehlin (CH); **Max Ris**, Wangen/Olten (CH); **Jay Beaumont**, Jenkintown, PA (US); **Ronald Lemme**, Hellertown, PA (US)

(73) **Assignee:** **Niro-Plan AG**, Aarburg (CH)

(**) **Term:** **14 Years**

(21) **Appl. No.:** **29/209,471**

(22) **Filed:** **Jul. 16, 2004**

Related U.S. Application Data

(62) Division of application No. 29/188,146, filed on Aug. 13, 2003, now Pat. No. Des. 497,662.

(51) **LOC (7) Cl.** **23-02**

(52) **U.S. Cl.** **D23/284**

(58) **Field of Search** D23/271, 273,
D23/284-286, 293.1, 303, 308, 289-292;
4/630-642, 661, 663-665, 619, 645-646,
650-652

(56) **References Cited**

U.S. PATENT DOCUMENTS

D353,878 S 12/1994 Hauser
D387,173 S 12/1997 Jeans
D471,263 S 3/2003 Bayer et al.

Primary Examiner—Robert A. Delehanty

(74) *Attorney, Agent, or Firm*—Akin, Gump, Strauss, Hauer & Feld, LLP

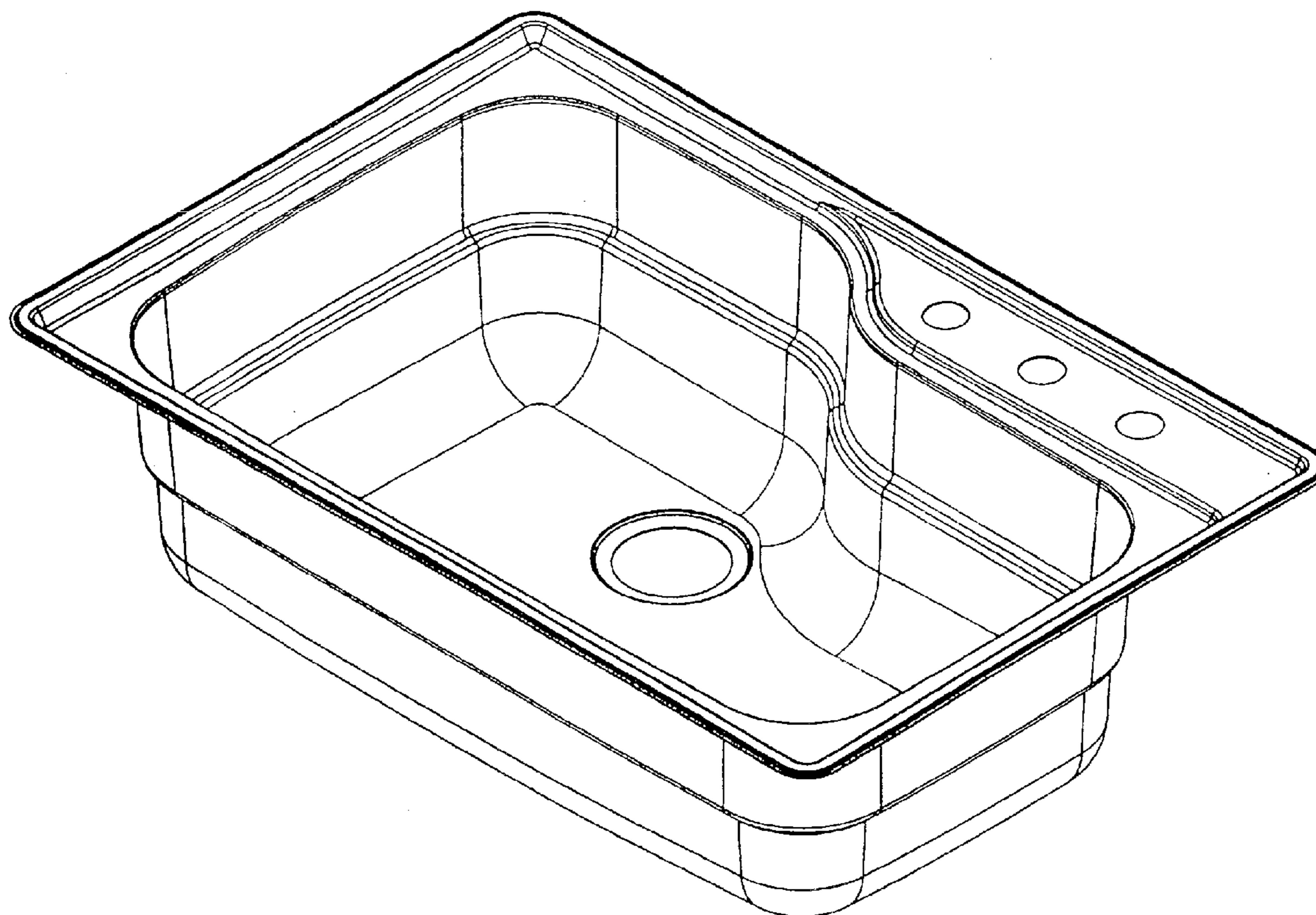
(57) **CLAIM**

The ornamental design for a sink, as shown and described.

DESCRIPTION

FIG. 1 is an upper perspective view of a preferred embodiment of a sink in accordance with my new design;
FIG. 2 is a top plan view thereof;
FIG. 3 is a bottom plan view thereof;
FIG. 4 is a front elevational view thereof;
FIG. 5 is a rear elevational view thereof;
FIG. 6 is a left side elevational view thereof; and,
FIG. 7 is a right side elevational view thereof.

1 Claim, 6 Drawing Sheets



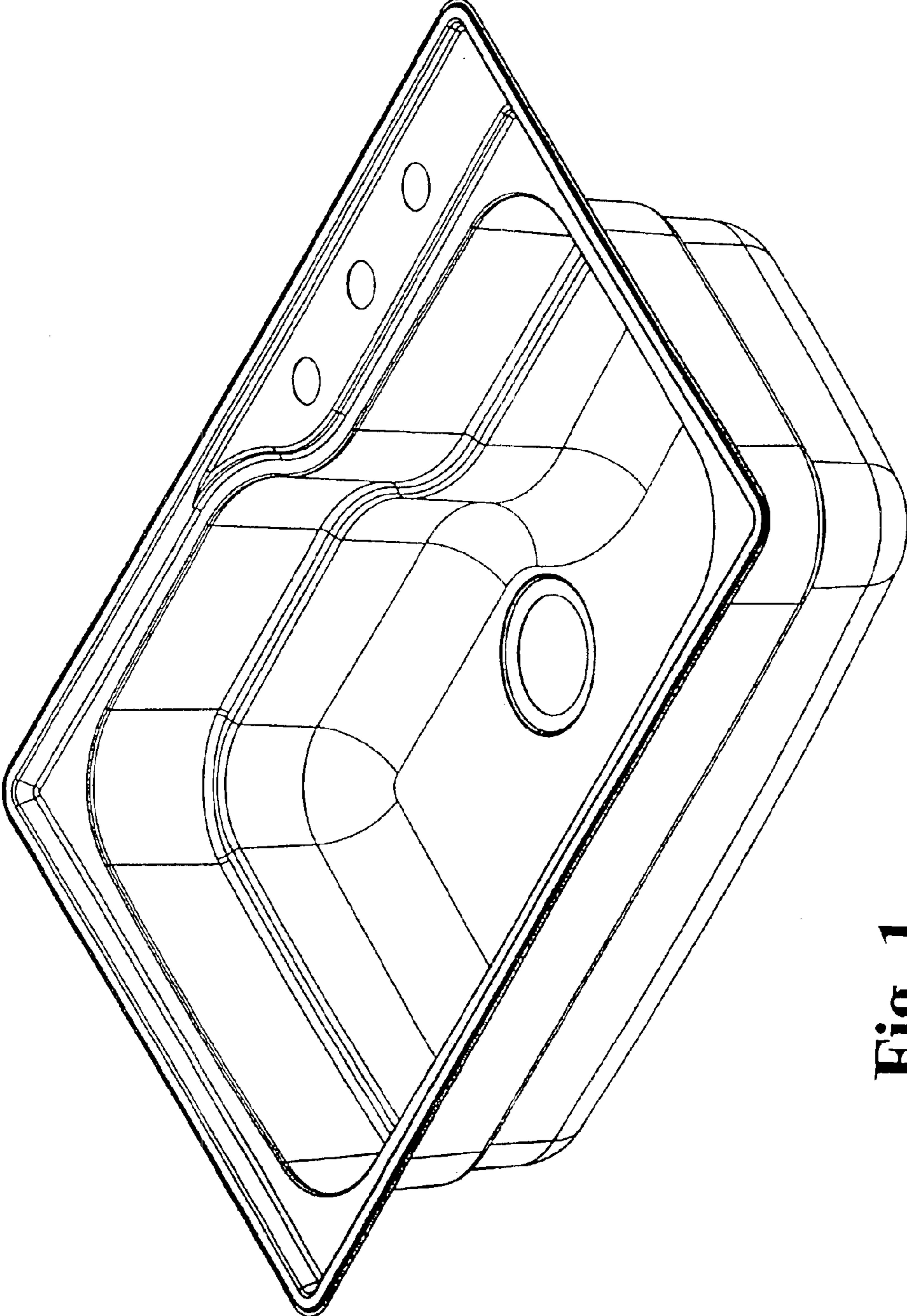


Fig. 1

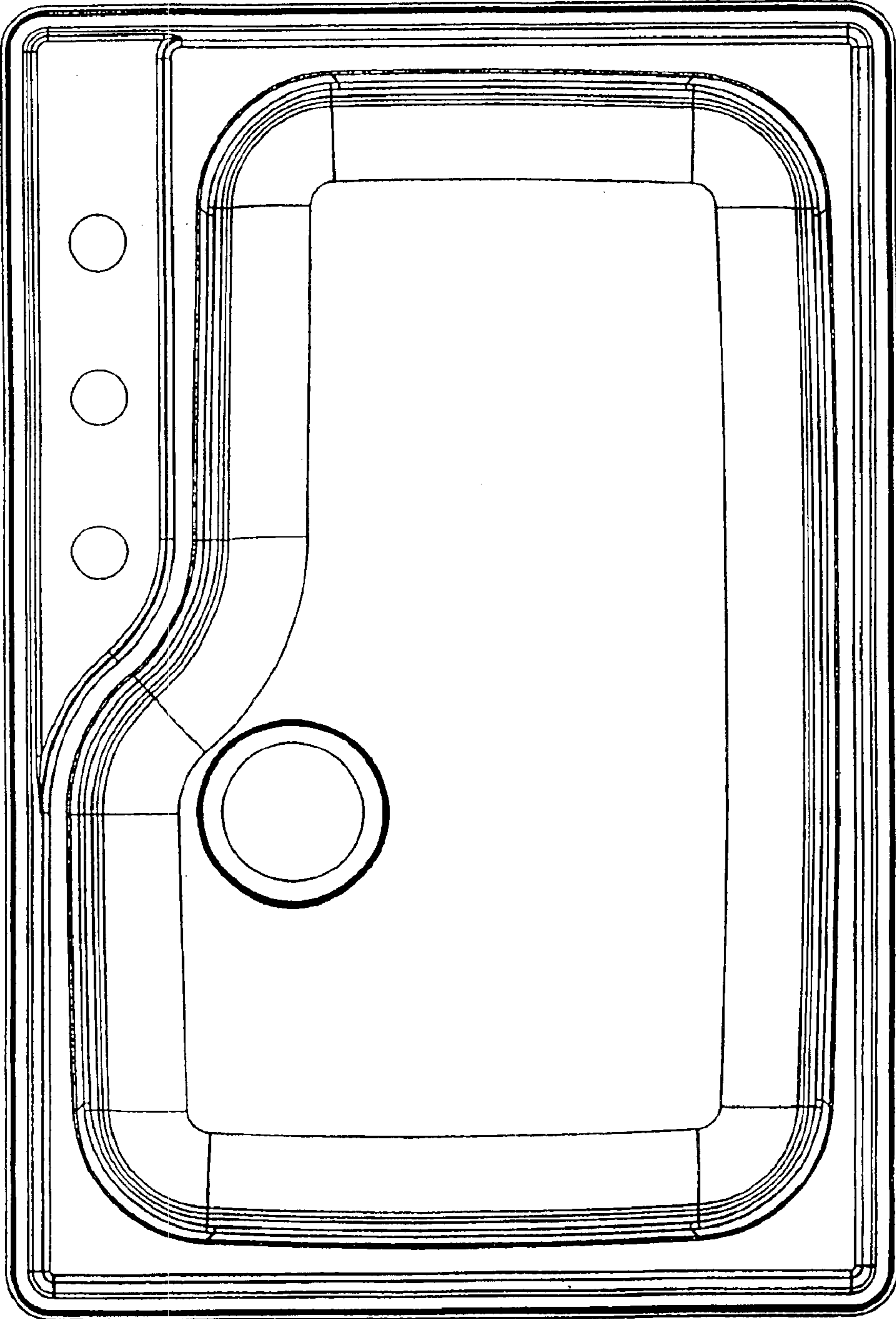


Fig. 2

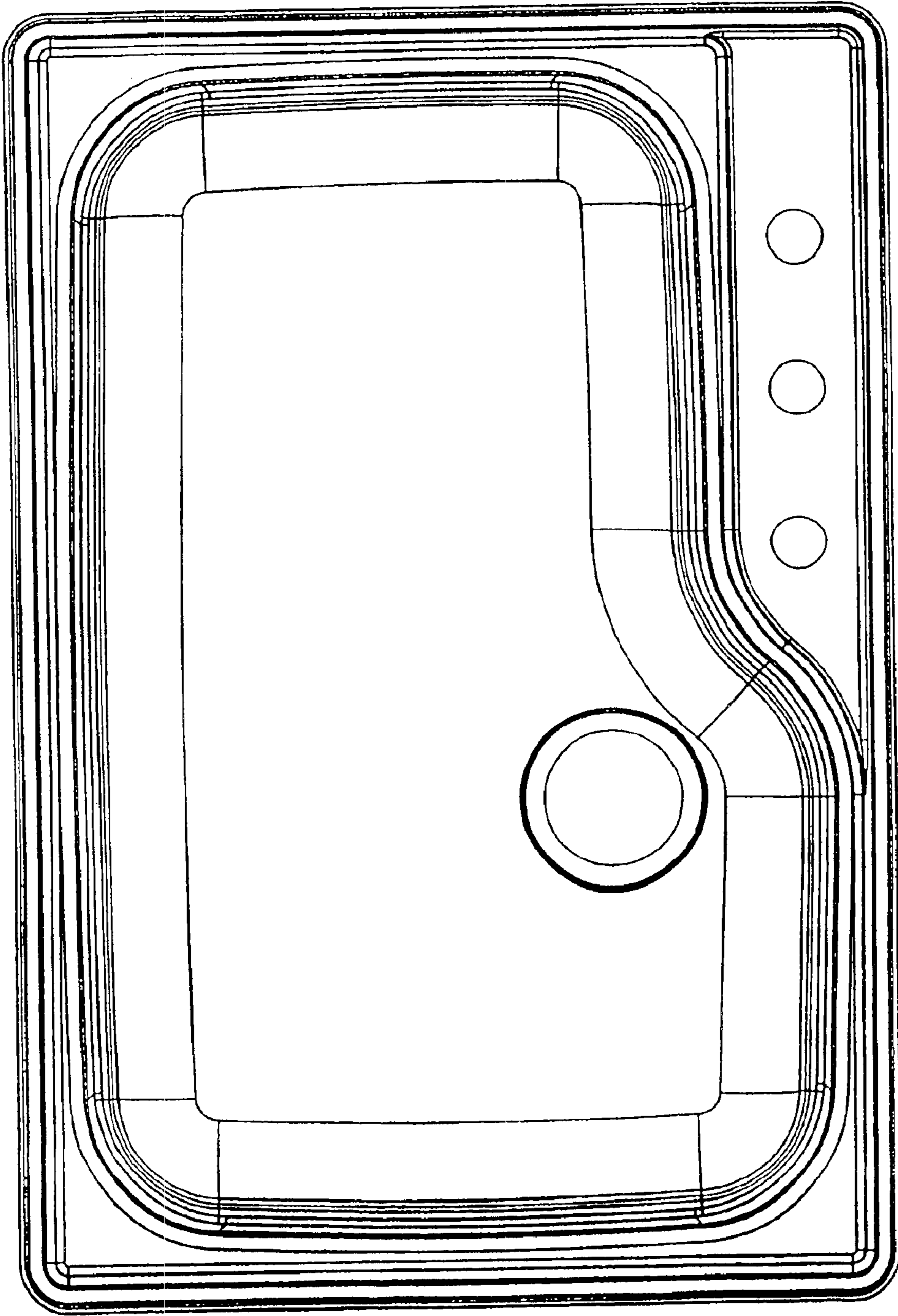


Fig. 3

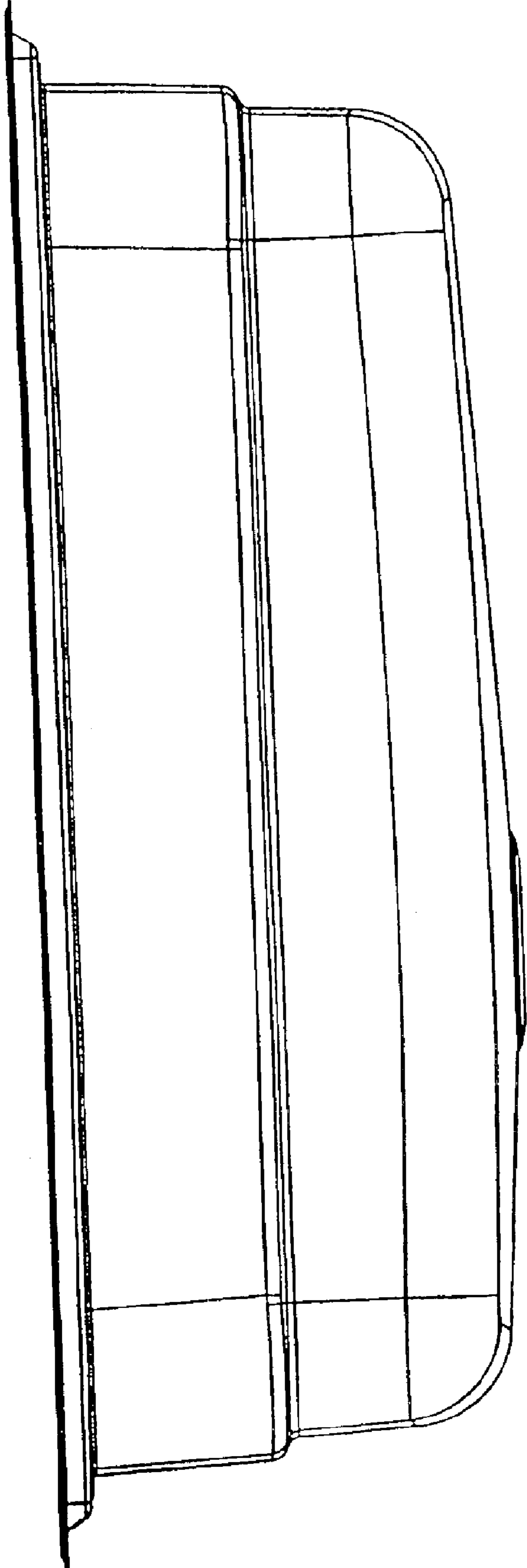


Fig. 4

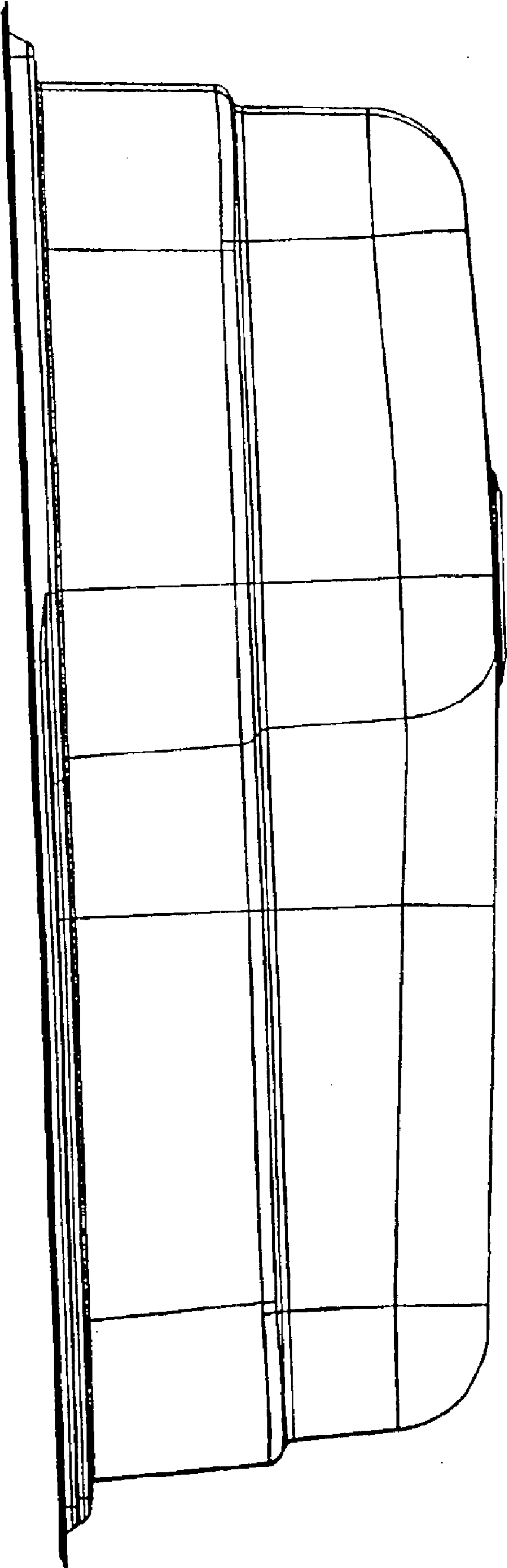


Fig. 5

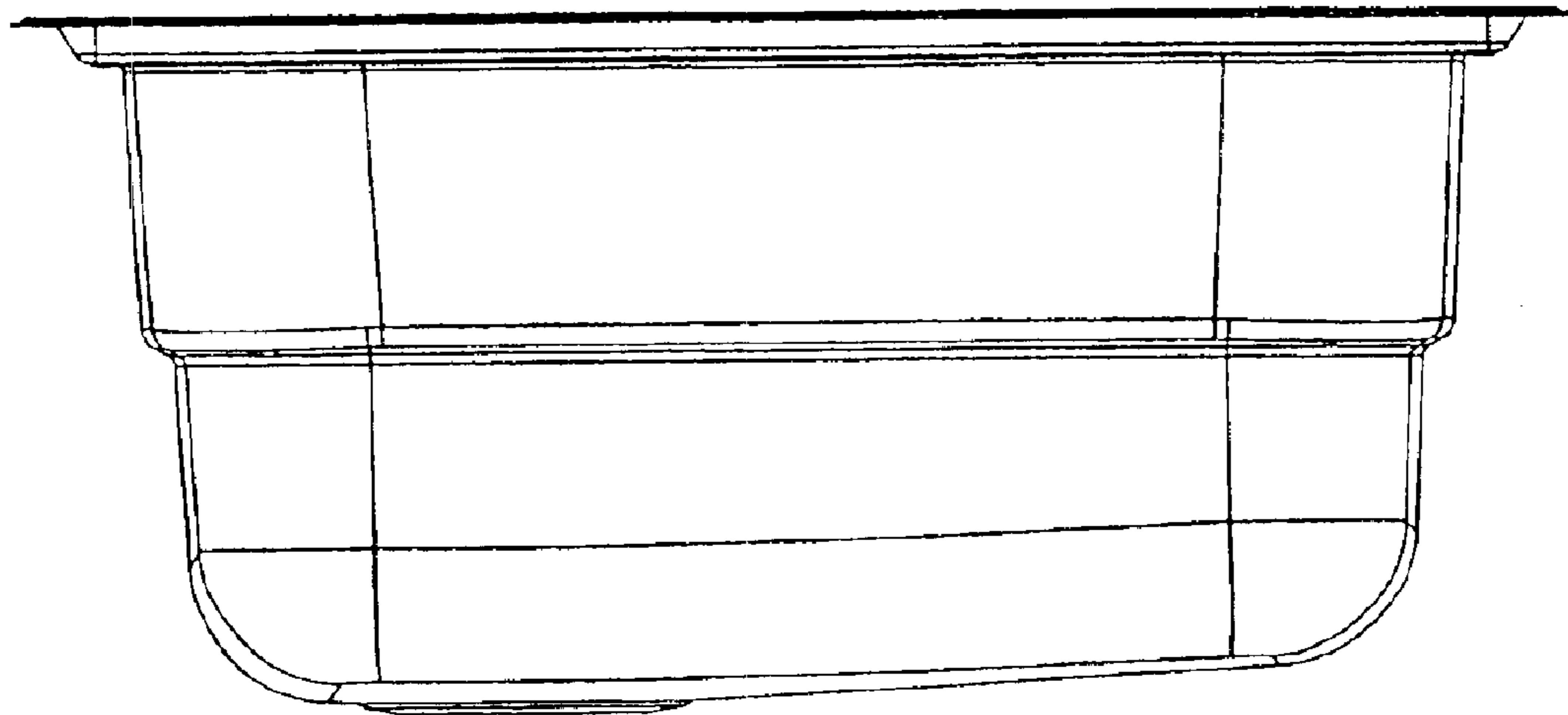


Fig. 6

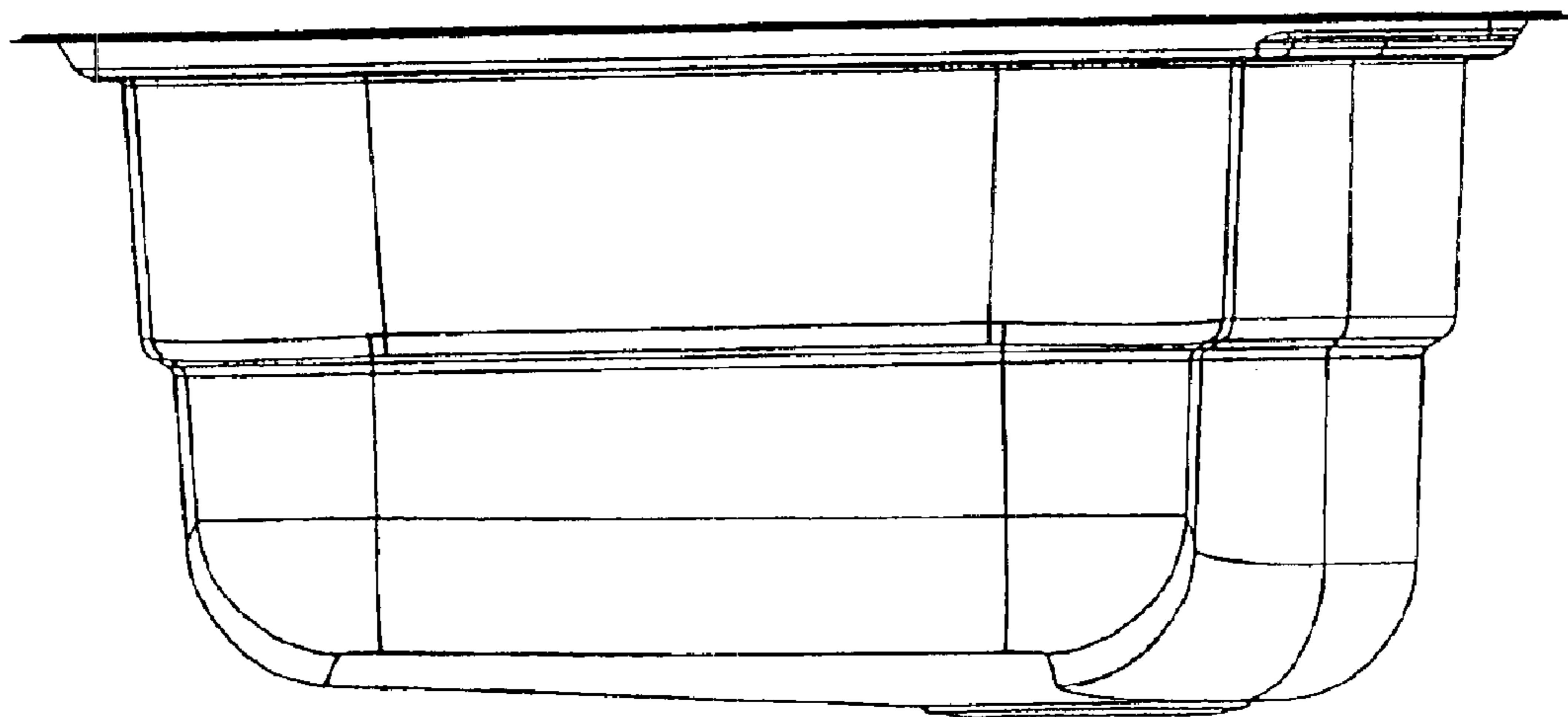


Fig. 7