

US00D504168S

(12) **United States Design Patent**
McCormick

(10) **Patent No.:** **US D504,168 S**

(45) **Date of Patent:** **** Apr. 19, 2005**

(54) **TRIGGER COMPONENT FOR FIREARMS**

(76) **Inventor:** **Michael L. McCormick**, P.O. Box
1560, Manchaca, TX (US) 78652

(**) **Term:** **14 Years**

(21) **Appl. No.:** **29/199,153**

(22) **Filed:** **Feb. 10, 2004**

(51) **LOC (7) Cl.** **22-01**

(52) **U.S. Cl.** **D22/108**

(58) **Field of Search** D22/100, 103,
D22/104, 108, 199; D21/573, 574; D8/14.1,
29.1; 124/31, 77; 89/1.42, 136, 147, 150;
42/42.01, 42.02, 42.03, 69.01, 70.04, 70.06,
70.07, 70.11

(56) **References Cited**

U.S. PATENT DOCUMENTS

4,060,067	A	*	11/1977	Dandine	124/31
5,927,578	A	*	7/1999	Kay	42/70.07
D441,410	S	*	5/2001	Fernandez et al.	D21/574
D462,105	S	*	8/2002	Myers	D22/108
D473,910	S	*	4/2003	Rice et al.	D22/108

D484,926	S	*	1/2004	Rice et al.	D21/573
6,748,938	B1	*	6/2004	Rice et al.	124/77
6,802,305	B1	*	10/2004	Hatcher	124/31
2004/0200115	A1	*	10/2004	Monks et al.	42/70.06

* cited by examiner

Primary Examiner—Cathy Anne MacCormac

Assistant Examiner—Melanie Levy

(74) *Attorney, Agent, or Firm*—Russell D. Culbertson; The Culbertson Group, P.C.

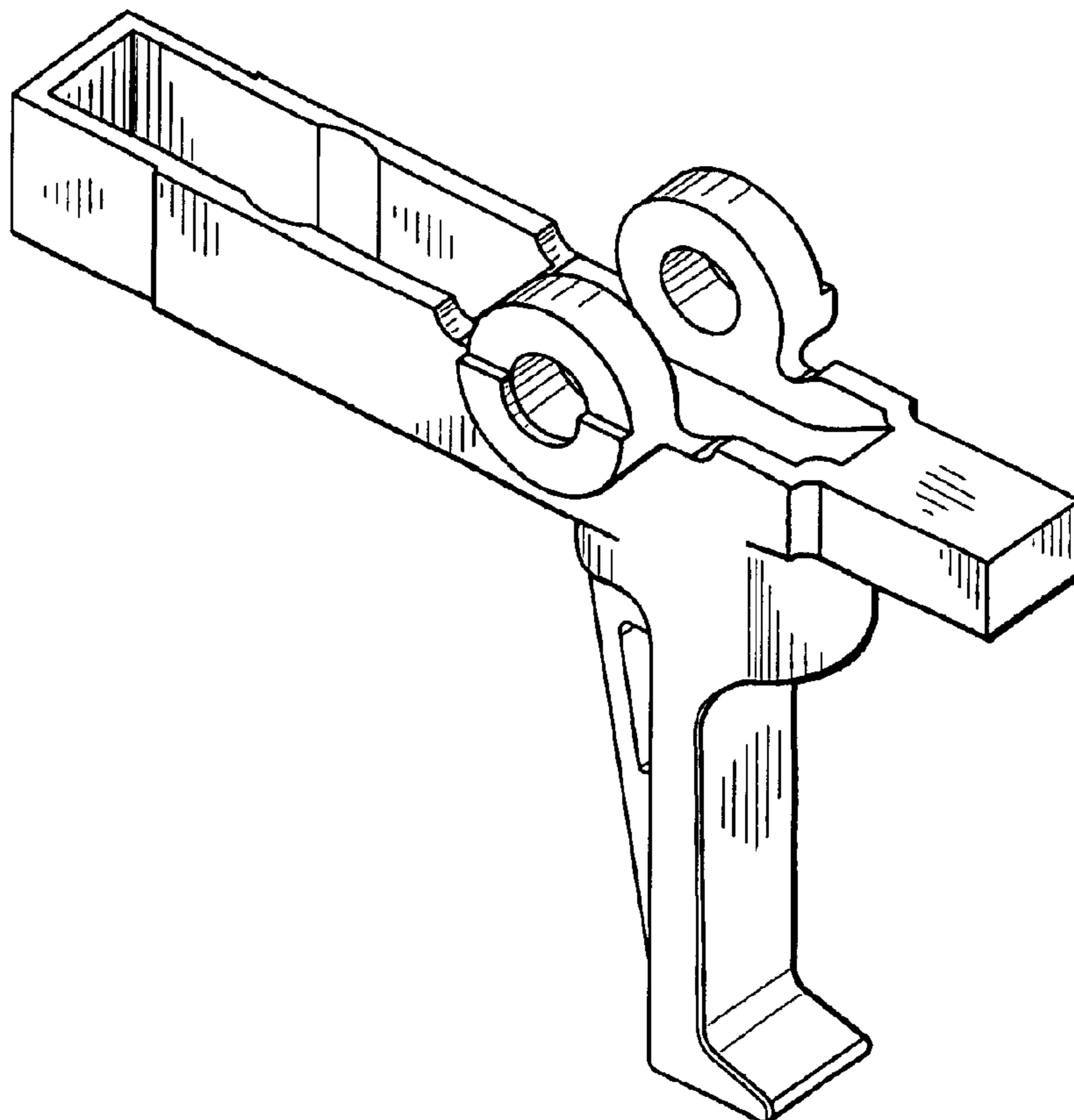
(57) **CLAIM**

The ornamental design for a trigger component for firearms, as shown.

DESCRIPTION

FIG. 1 is a perspective view of a trigger component for firearms showing my new design; FIG. 2 is a right side view thereof; FIG. 3 is a top view thereof; FIG. 4 is a bottom view thereof; FIG. 5 is a front view thereof; and, FIG. 6 is a rear view thereof.

1 Claim, 3 Drawing Sheets



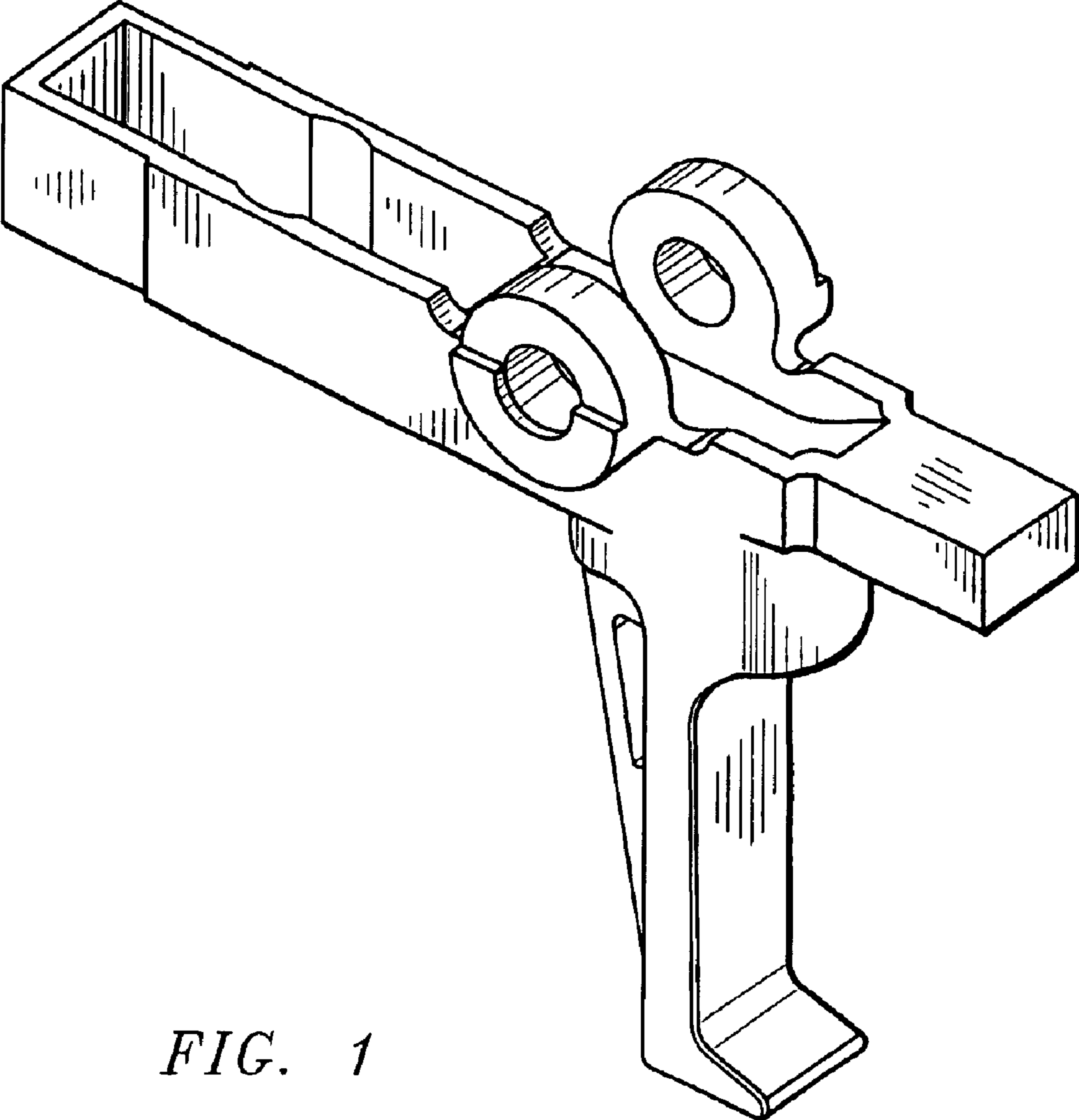


FIG. 1

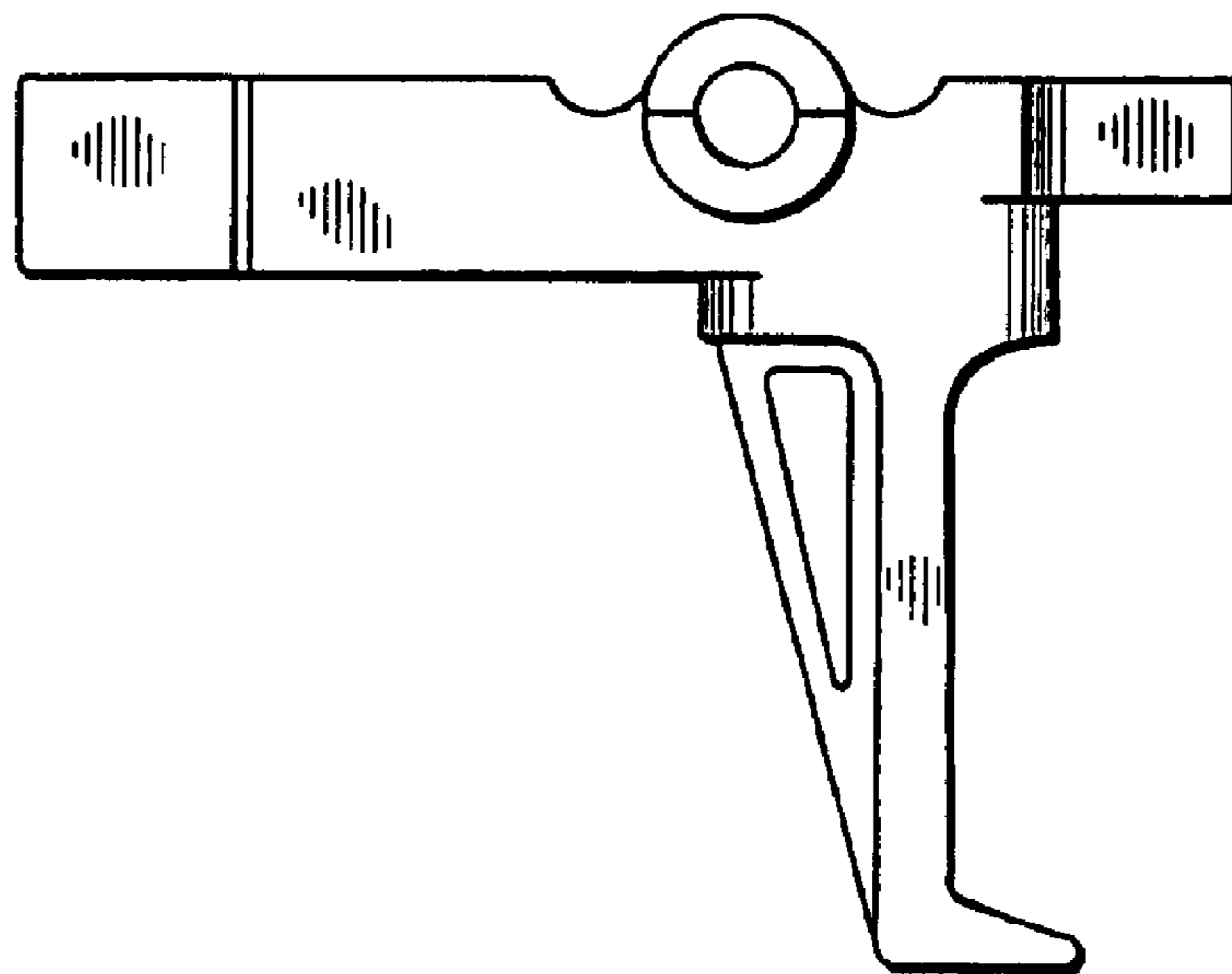


FIG. 2

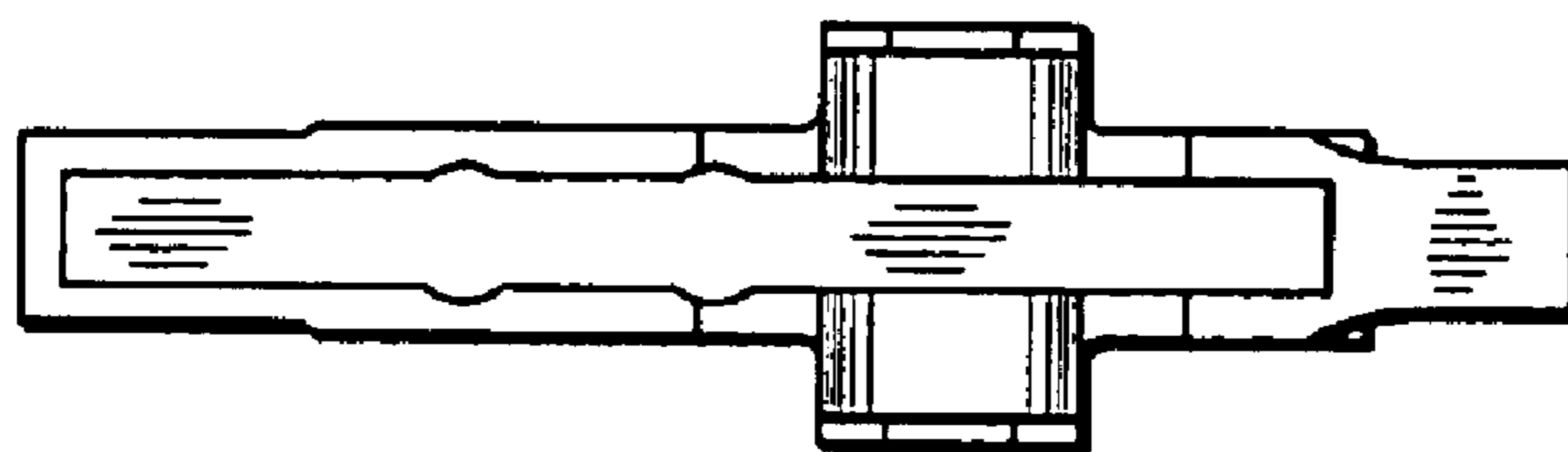


FIG. 3

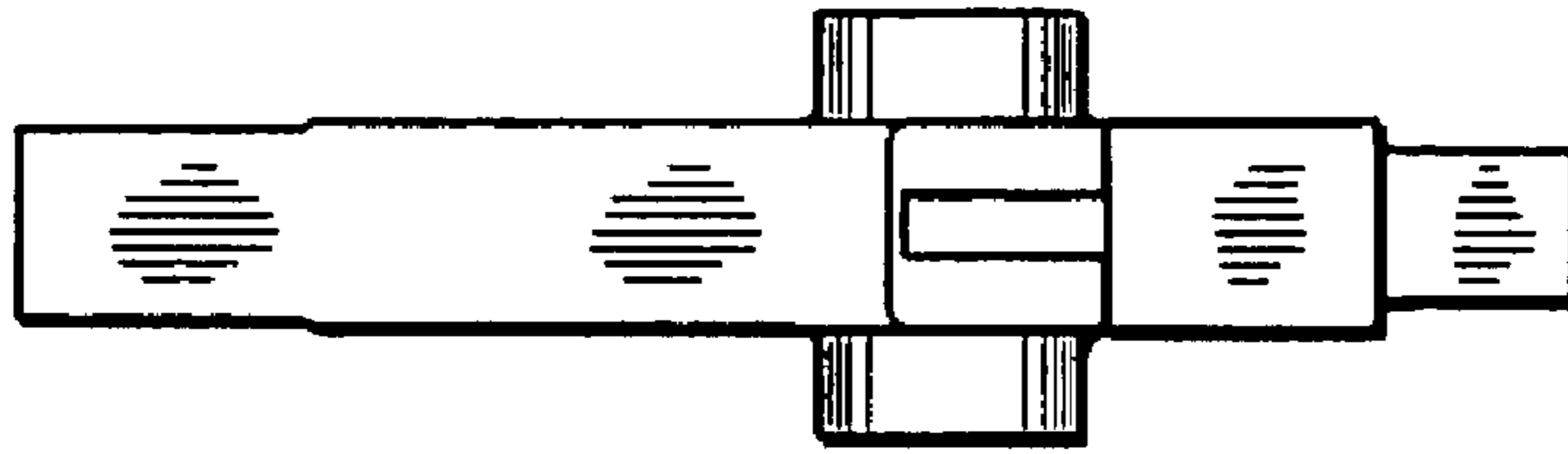


FIG. 4

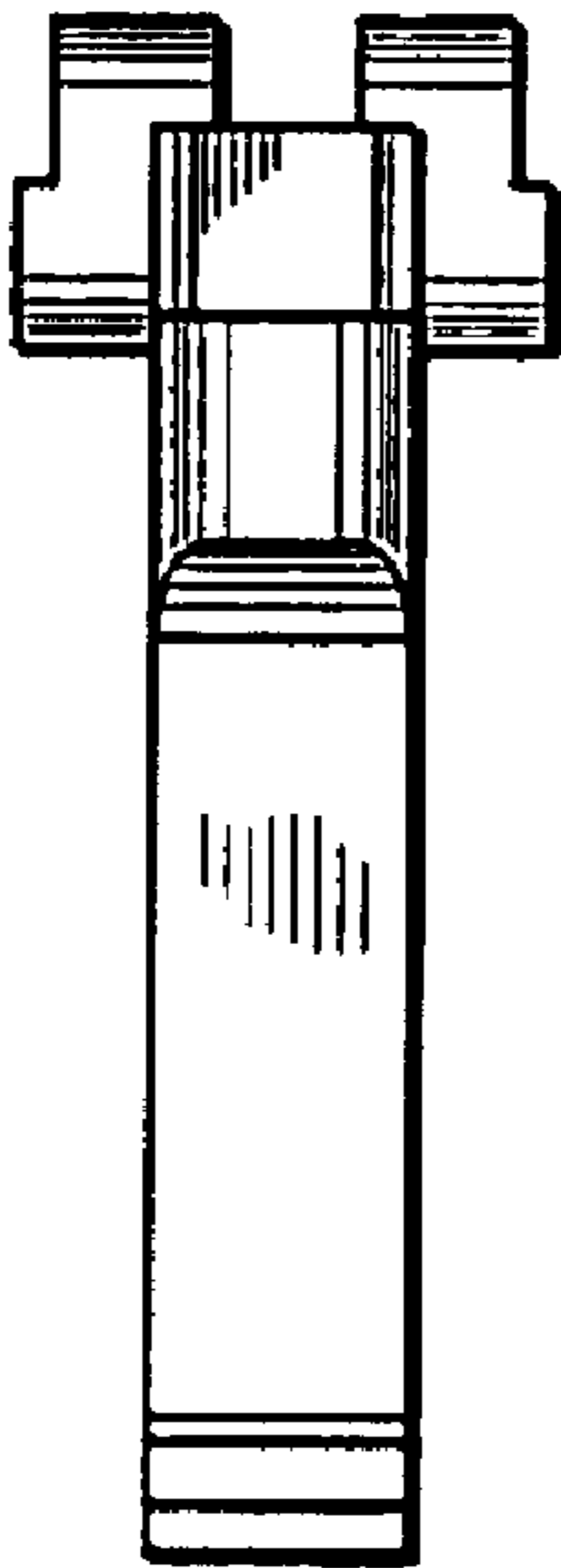


FIG. 5

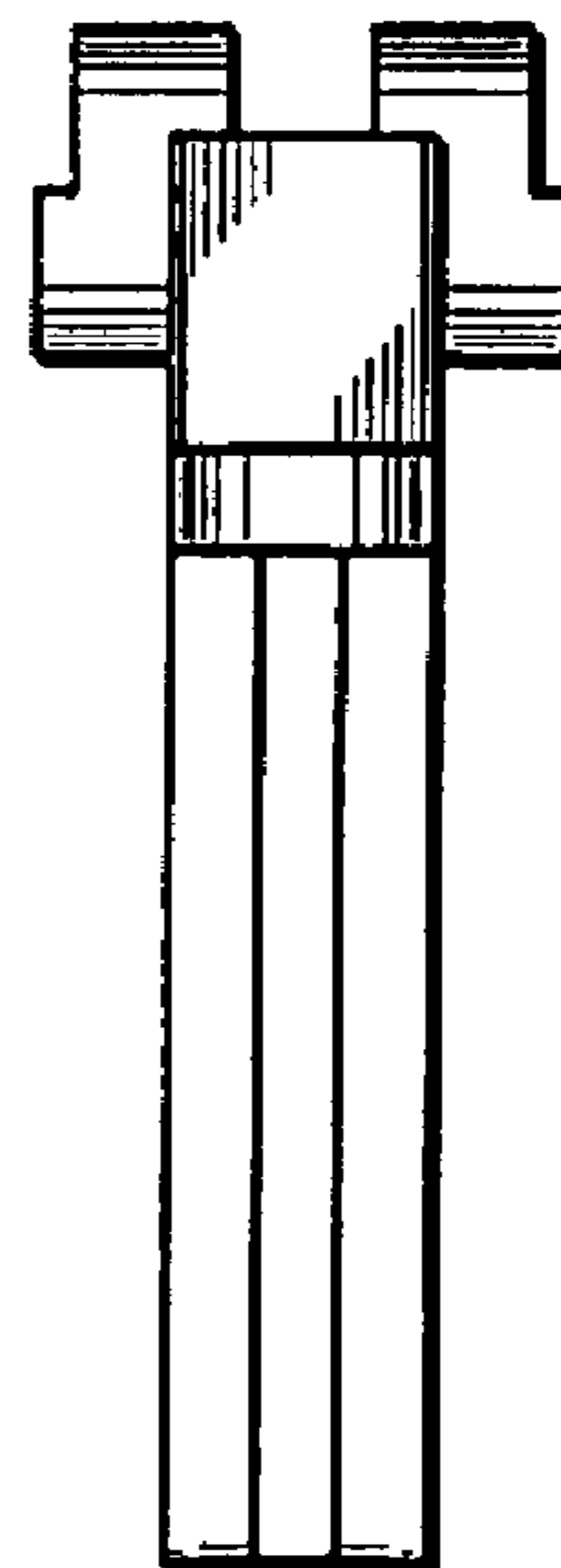


FIG. 6