

US00D504167S

(12) **United States Design Patent**
Iwata et al.

(10) **Patent No.: US D504,167 S**
(45) **Date of Patent: ** Apr. 19, 2005**

(54) **WEIGHT PORTION FOR A GOLF CLUB IRON HEAD**

(75) Inventors: **Mototaka Iwata**, Osaka (JP); **Isamu Toshinari**, Osaka (JP); **Tomomi Watanabe**, Osaka (JP); **Mamoru Saraie**, Osaka (JP); **Kiyotaka Chaen**, Osaka (JP)

(73) Assignee: **Mizuno Corporation**, Osaka (JP)

(**) Term: **14 Years**

(21) Appl. No.: **29/191,445**

(22) Filed: **Oct. 7, 2003**

(30) **Foreign Application Priority Data**

Oct. 16, 2000 (JP) 2000-314678

(51) **LOC (7) Cl. 21-02**

(52) **U.S. Cl. D21/759**

(58) **Field of Search D21/747-751,**
D21/759; 473/324-331, 350

(56) **References Cited**

U.S. PATENT DOCUMENTS

4,915,386 A	4/1990	Antonious	
5,282,625 A	2/1994	Schmidt et al.	
5,330,187 A	7/1994	Schmidt et al.	
5,333,872 A	8/1994	Manning et al.	
5,413,336 A	5/1995	Iwanaga	
5,749,795 A	5/1998	Schmidt et al.	
5,807,191 A	9/1998	Nakahara	
5,816,936 A	10/1998	Aizawa et al.	
6,210,290 B1	4/2001	Erickson	
D454,932 S	3/2002	Mahaffey et al.	
D466,576 S	* 12/2002	Nagai et al.	D21/759
D466,961 S	* 12/2002	Nagai et al.	D21/759
D471,610 S	* 3/2003	Mugica et al.	D21/759

FOREIGN PATENT DOCUMENTS

EP	0 622 095 A1	11/1994
GB	2288984	11/1995
GB	2331249	5/1999
JP	5-27951	7/1993
JP	6-134047	5/1994
JP	6-343722	12/1994
JP	6-343723	12/1994
JP	7-204301	8/1995
JP	3035480	3/1997
JP	10-024130	1/1998
JP	3045407	2/1998
JP	11-047322	2/1999
JP	11-114109	4/1999
JP	11-178960	7/1999
JP	11-216204	8/1999
JP	3066989	3/2000
JP	2001-212266	8/2001

* cited by examiner

Primary Examiner—Mitchell Siegel

(74) *Attorney, Agent, or Firm*—Troutman Sanders LLP; Gerald R. Boss

(57) **CLAIM**

The ornamental design for a weight portion for a golf club iron head, as shown and described.

DESCRIPTION

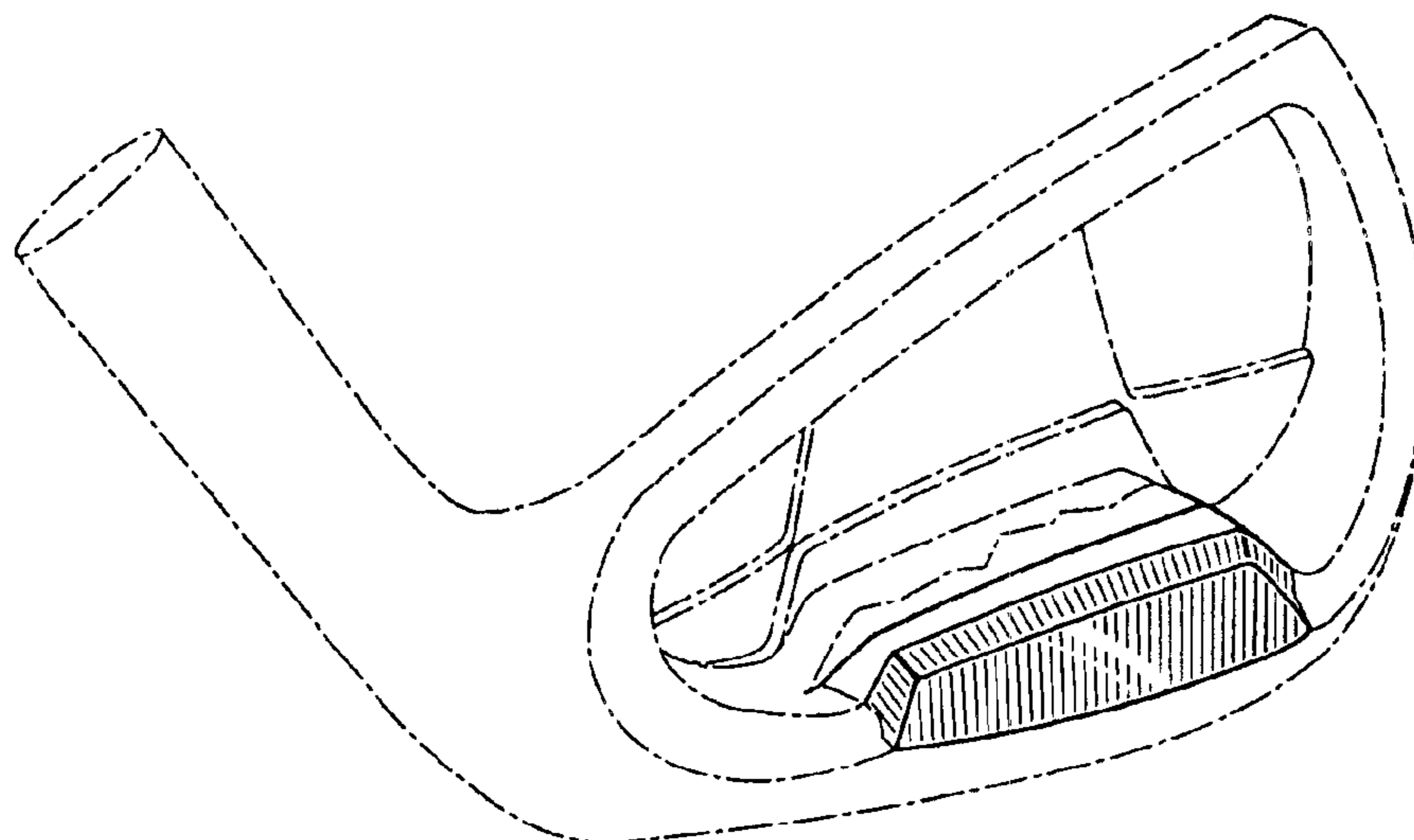
FIG. 1 is a bird's-eye perspective view of my ornamental design for a weight portion on the rear of a golf club iron, with phantom lines indicating the environmental structure associated with the design which form no part of the claimed design throughout the figures;

FIG. 2 is a elevation of the weight portion;

FIG. 3 is a side elevation of the weight portion, as viewed at lines 3—3 in FIG. 2; and,

FIG. 4 is a cross-section of the weight portion, taken along lines 4—4 in FIG. 2.

1 Claim, 2 Drawing Sheets



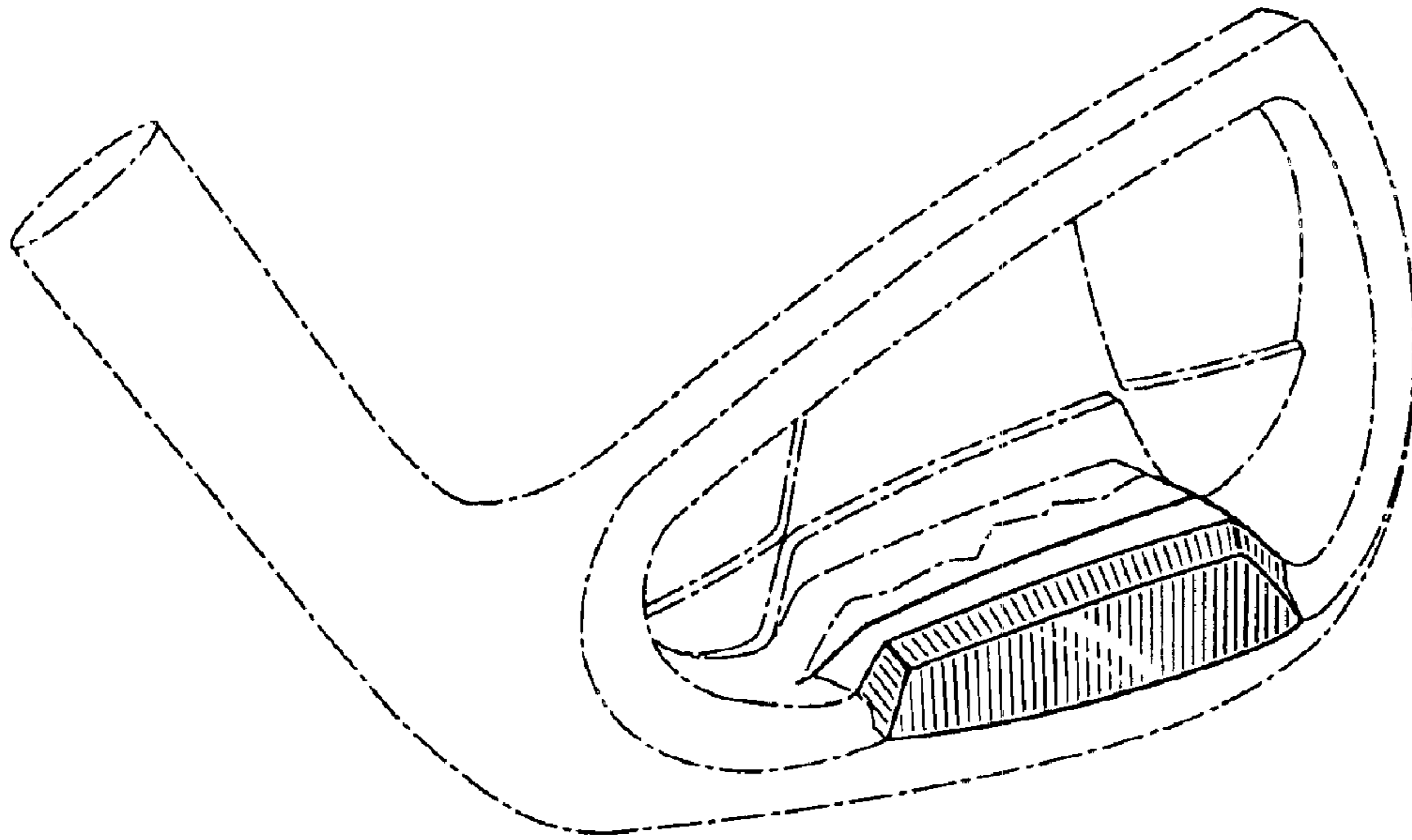


FIG 1

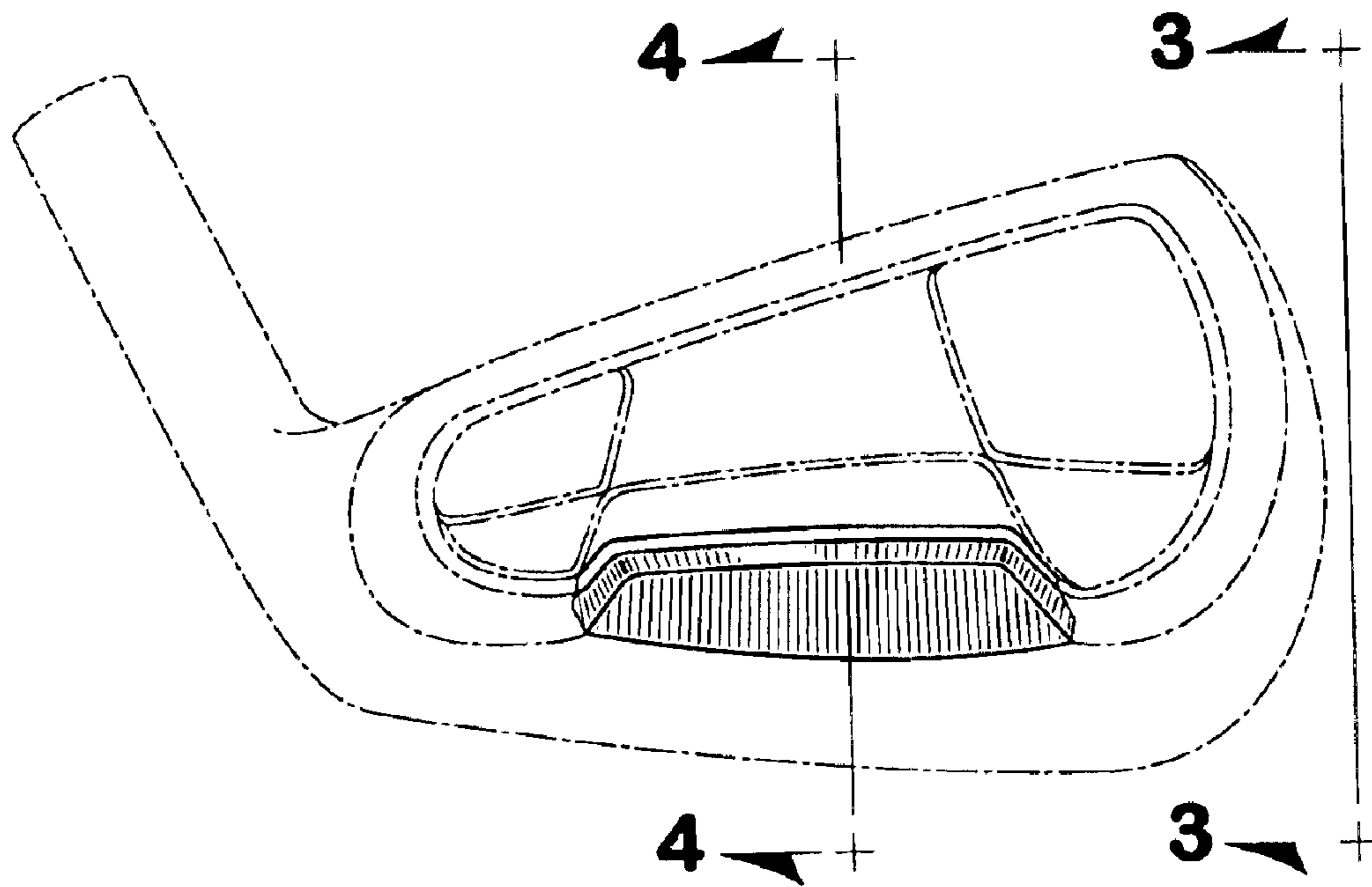


FIG 2

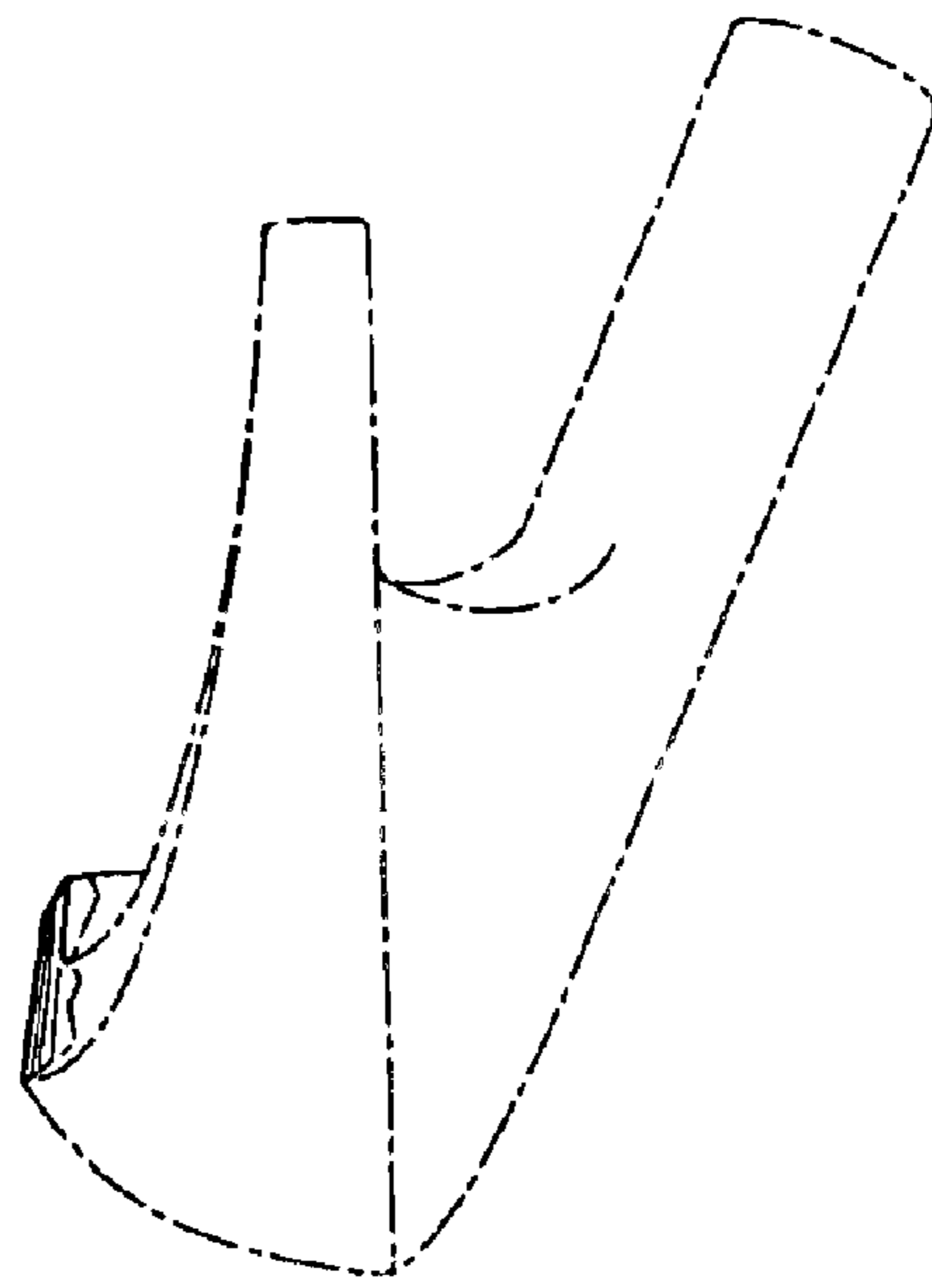


FIG 3

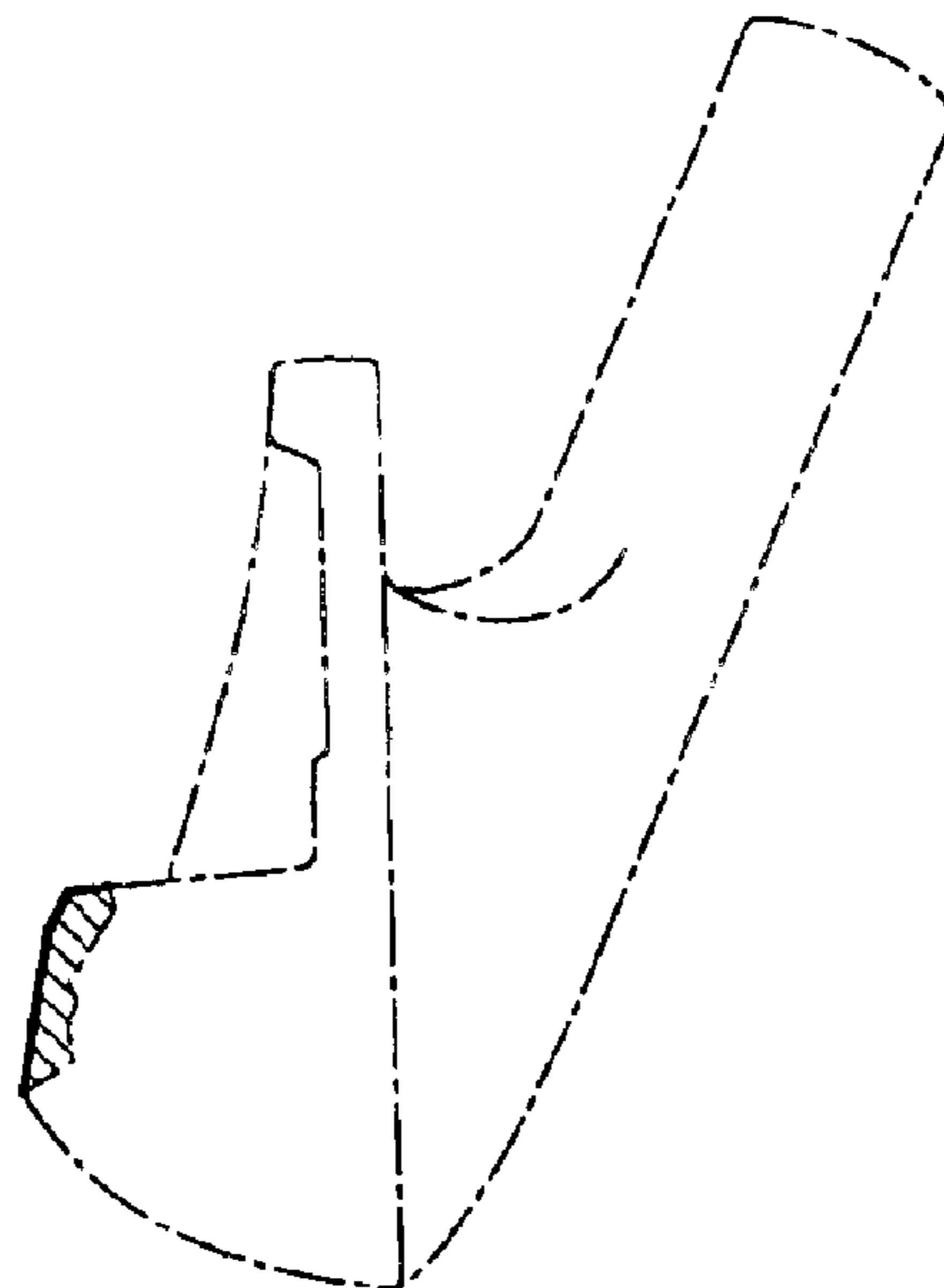


FIG 4