

US00D504164S

(12) **United States Design Patent**
Ceppo

(10) **Patent No.:** **US D504,164 S**
(45) **Date of Patent:** **** Apr. 19, 2005**

(54) **COMBINATION BARBELL SAFETY SPOTTER BAR STAND AND DUMBBELL HOLDER STAND**

(76) **Inventor:** **Louis Ceppo**, 5853 Parkwalk Dr., Boynton Beach, FL (US) 33437

(**) **Term:** **14 Years**

(21) **Appl. No.:** **29/188,694**

(22) **Filed:** **Aug. 20, 2003**

(51) **LOC (7) Cl.** **21-02**

(52) **U.S. Cl.** **D21/686**

(58) **Field of Search** D21/662, 676,
D21/686, 690, 691, 694; 482/92, 93, 94,
104, 139, 148

(56) **References Cited**

U.S. PATENT DOCUMENTS

5,468,203	A	*	11/1995	Okonkwo	482/104
D368,288	S	*	3/1996	Kasbohm	D21/686
D381,715	S	*	7/1997	Reeder	D21/691
5,954,619	A	*	9/1999	Petrone	482/104
D425,152	S	*	5/2000	Ceppo	D21/686
6,149,556	A	*	11/2000	Jordan	482/104
D441,813	S	*	5/2001	Ceppo	D21/686

* cited by examiner

Primary Examiner—Philip S. Hyder
(74) *Attorney, Agent, or Firm*—McHale & Slavin, P.A.

(57) **CLAIM**

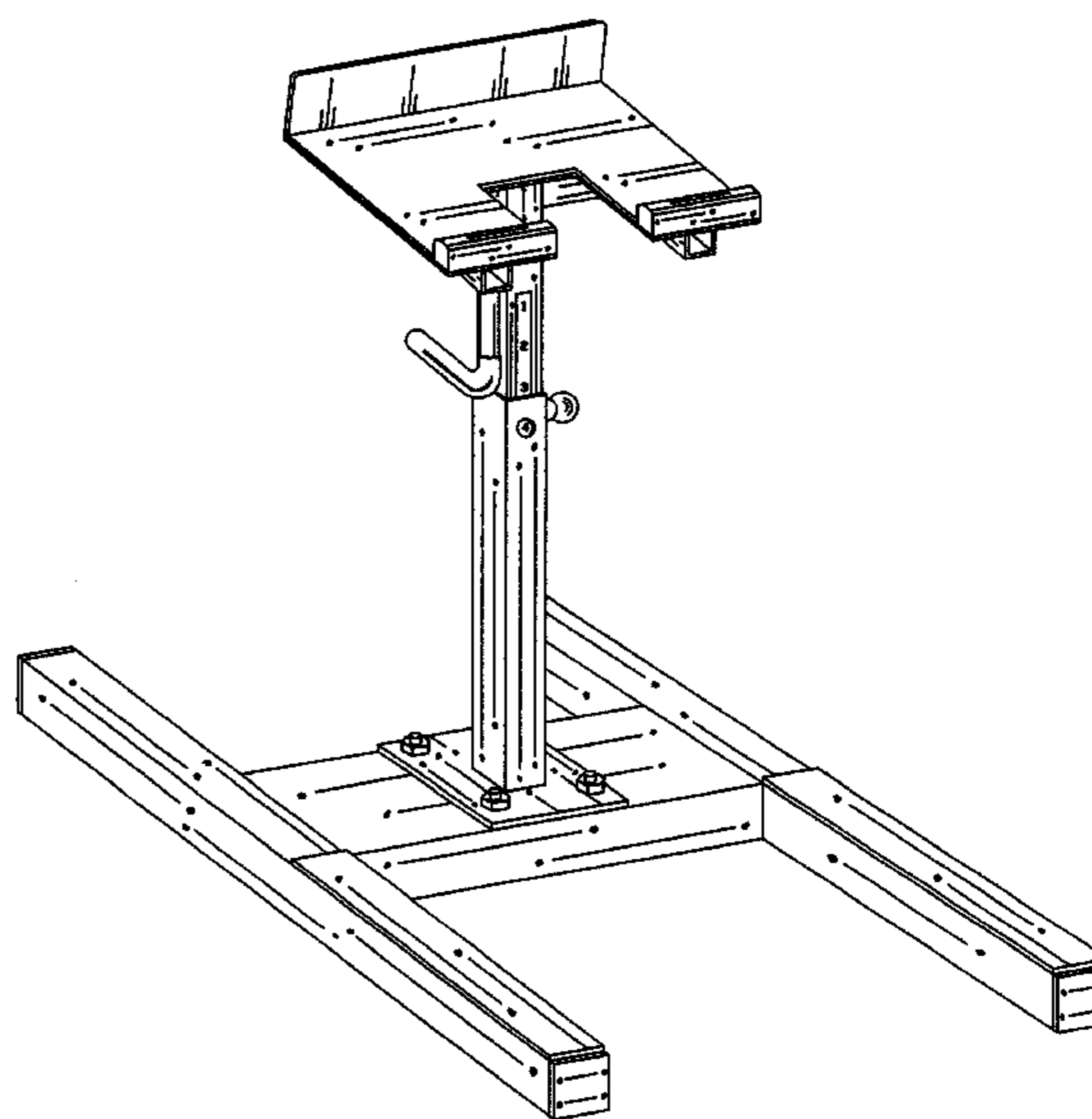
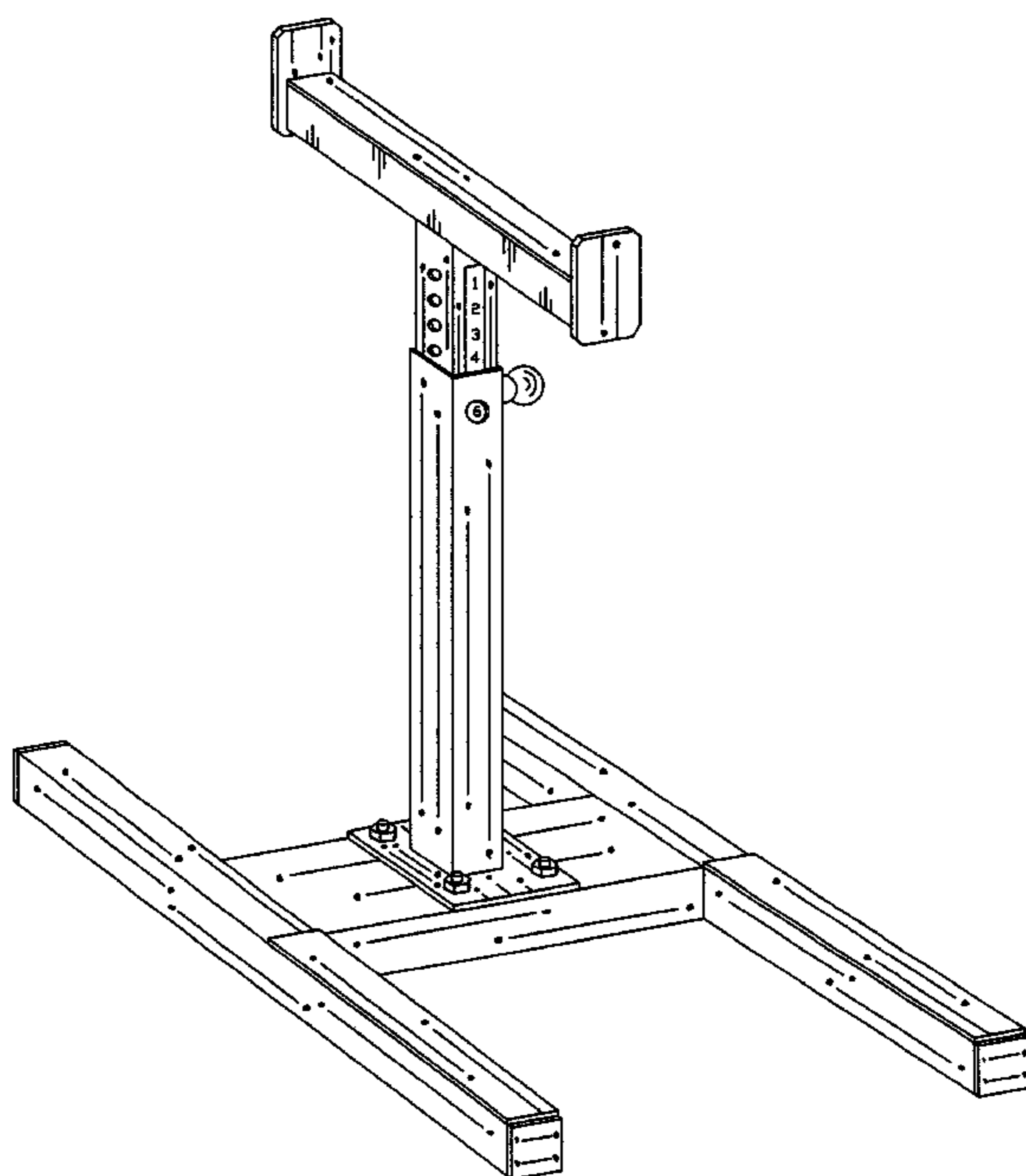
The ornamental design for a combination barbell safety spotter bar stand and dumbbell holder stand, as shown and described.

DESCRIPTION

FIG. 1 is a perspective view of a combination barbell safety spotter bar stand and dumbbell holder stand showing my new design, in the barbell holder configuration;
 FIG. 2 is a rear elevation view thereof;
 FIG. 3 is a left side elevation view thereof;
 FIG. 4 is a right side elevation view thereof;
 FIG. 5 is a front elevation view thereof;
 FIG. 6 is a top plan view thereof;
 FIG. 7 is a bottom plan view thereof;
 FIG. 8 is a perspective view of the combination barbell safety spotter bar stand and dumbbell holder stand showing my new design, in the dumbbell holder configuration;
 FIG. 9 is a perspective view of the dumbbell holder stand;
 FIG. 10 is a rear elevation view thereof;
 FIG. 11 is a left side elevation view thereof;
 FIG. 12 is a right side elevation view thereof;
 FIG. 13 is a front elevation view thereof;
 FIG. 14 is a top plan view thereof; and,
 FIG. 15 is a bottom plan view thereof.

The broken line showing of the dumbbell is for illustrative purposes only and forms no part of the claimed design.

1 Claim, 15 Drawing Sheets



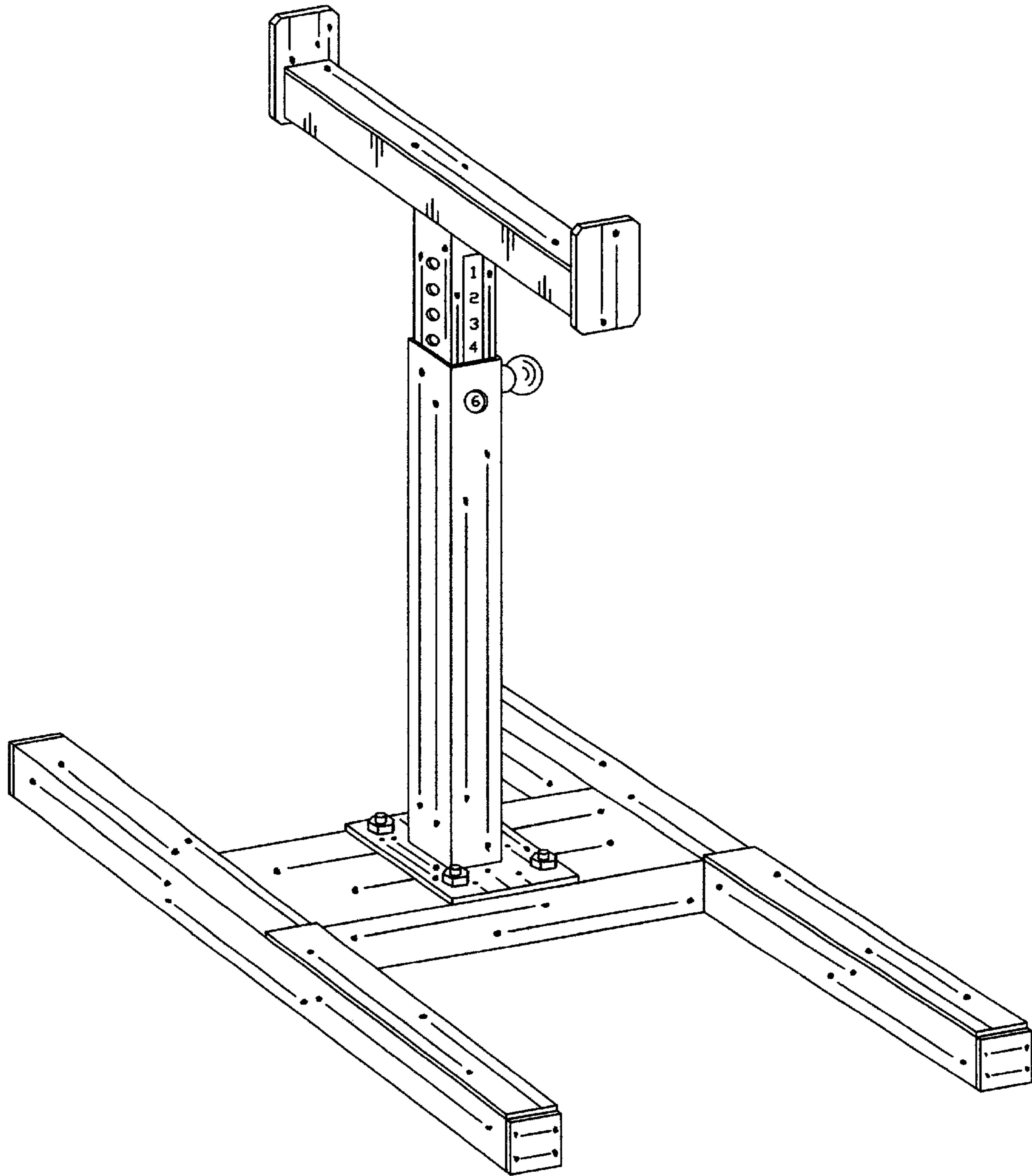


FIG. 1

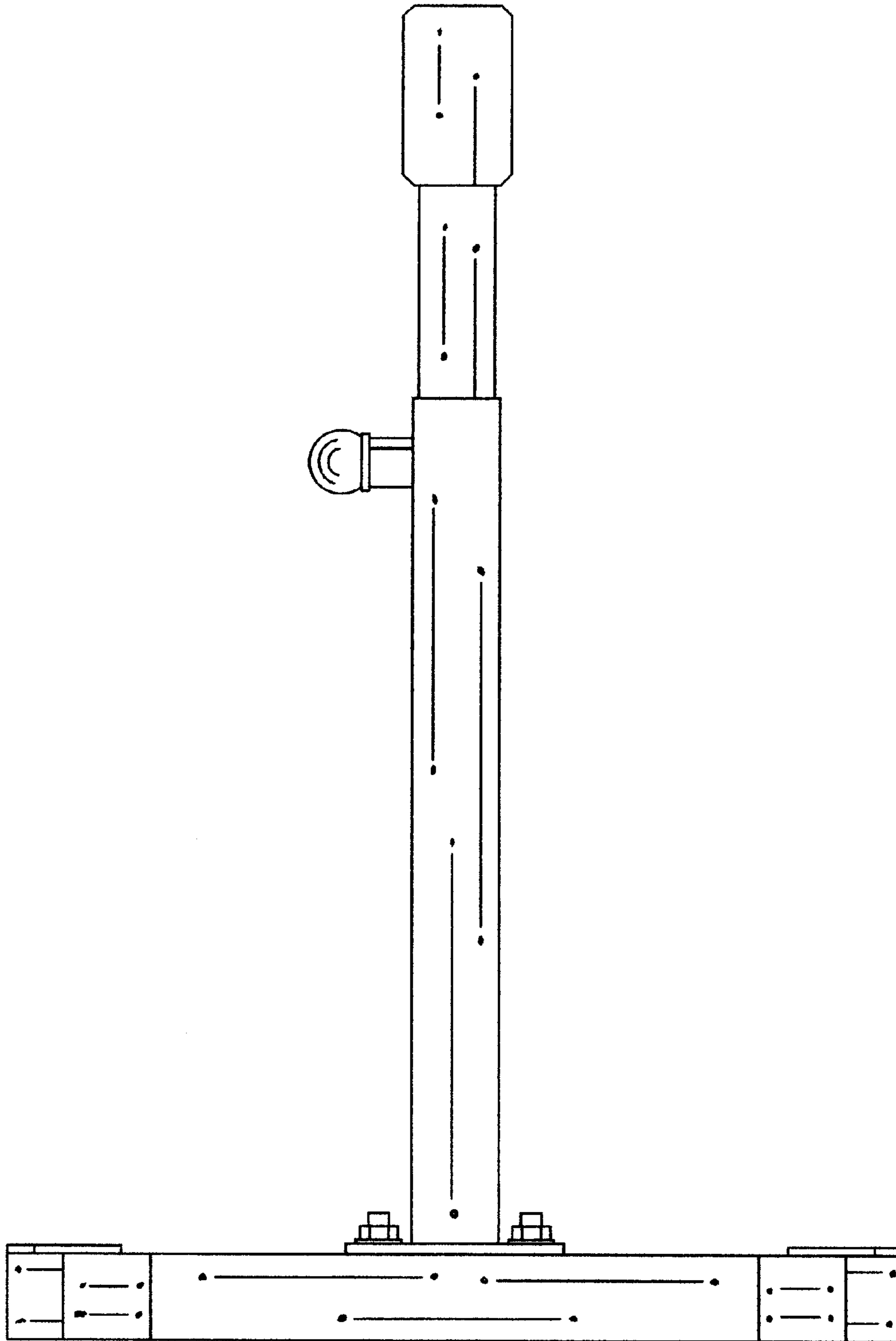


FIG. 2

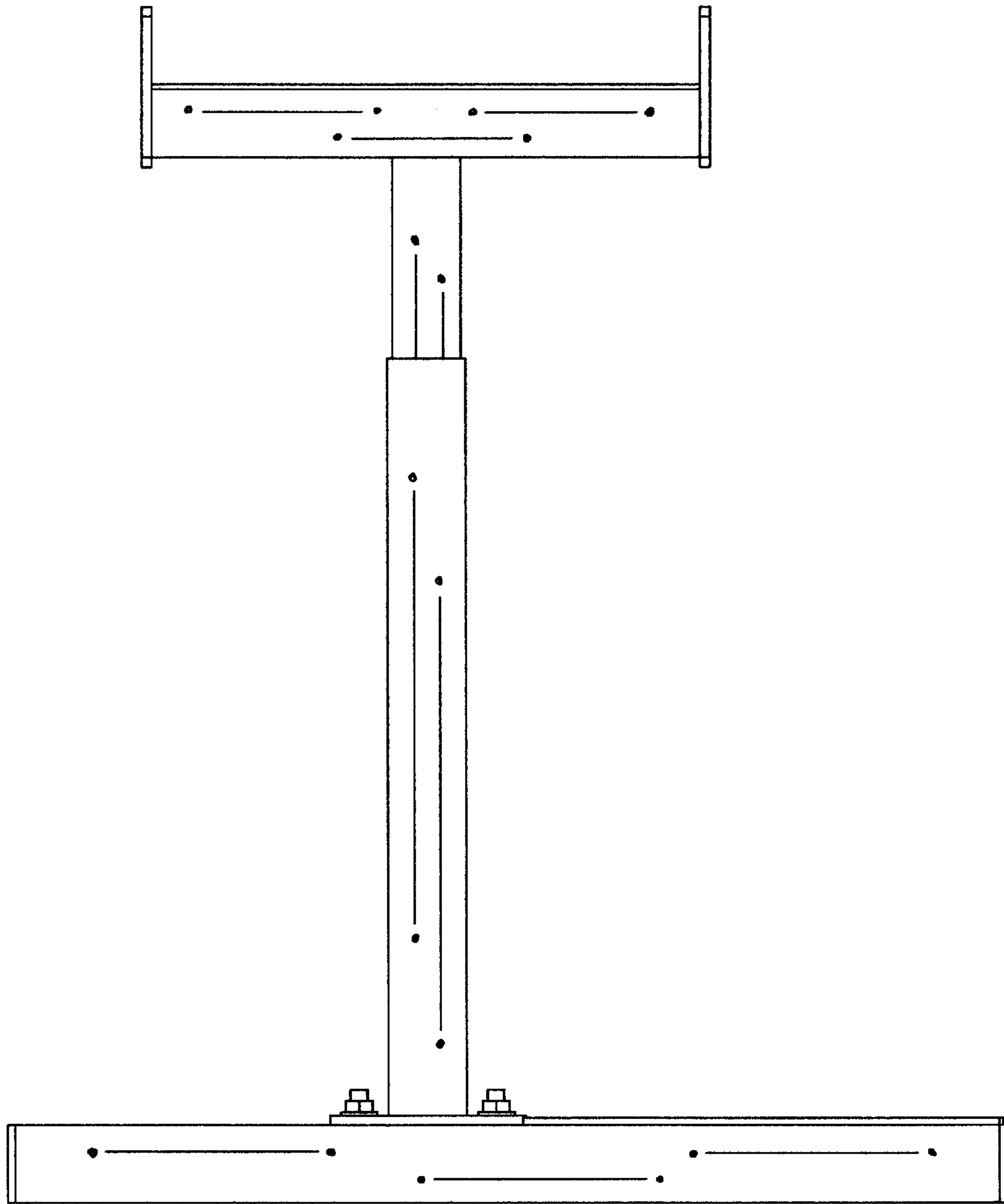


FIG. 3

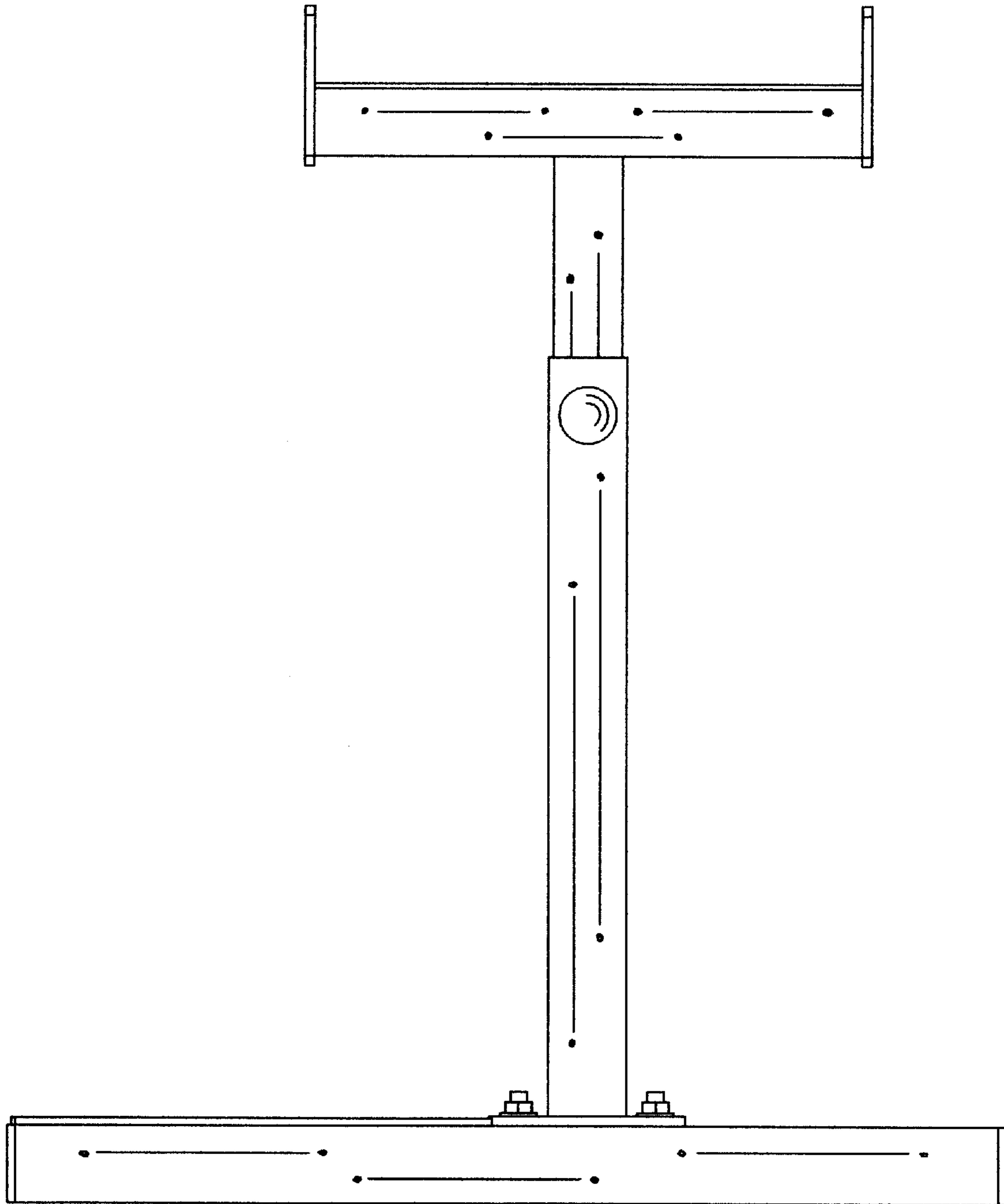


FIG. 4

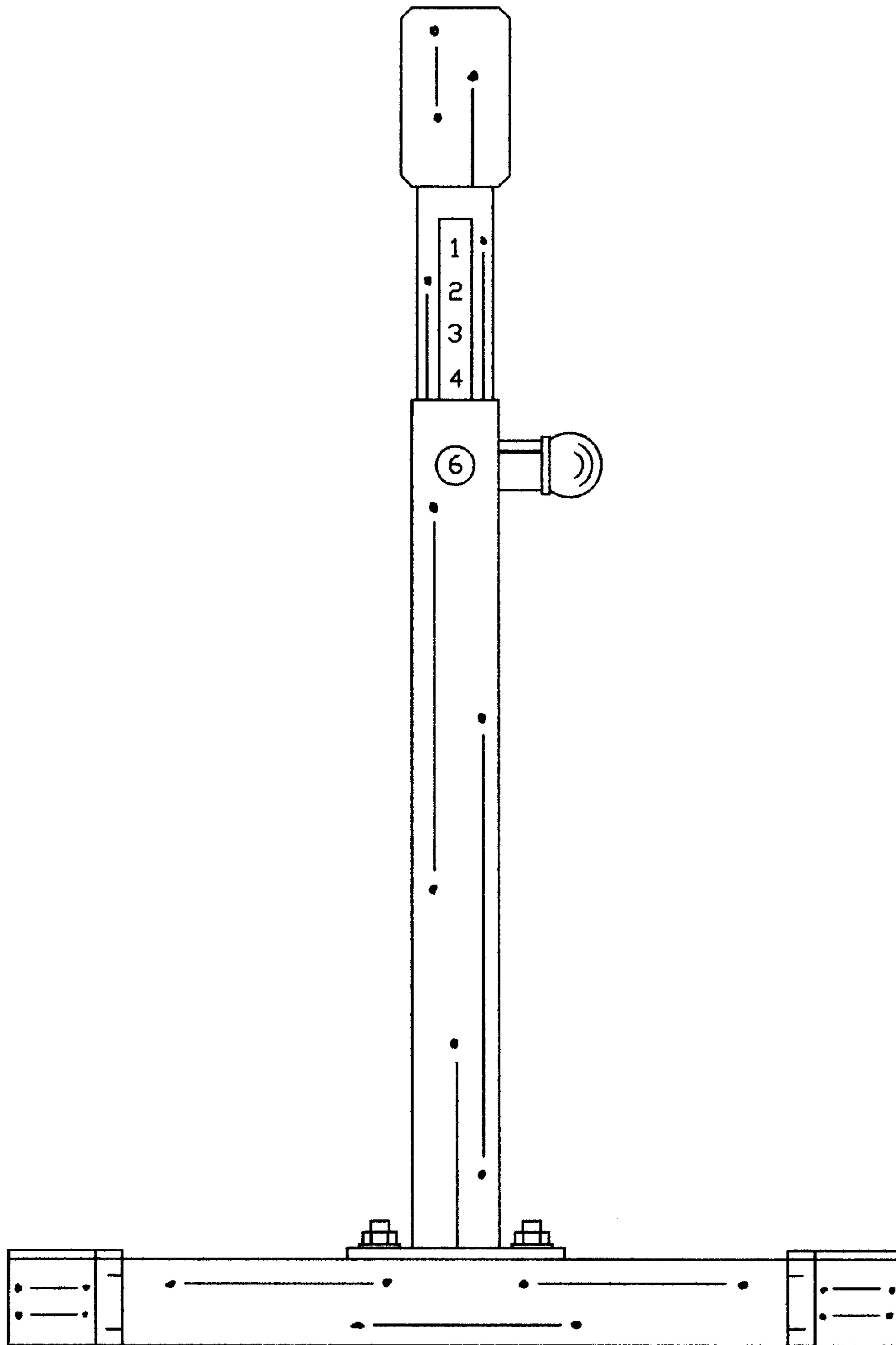


FIG. 5

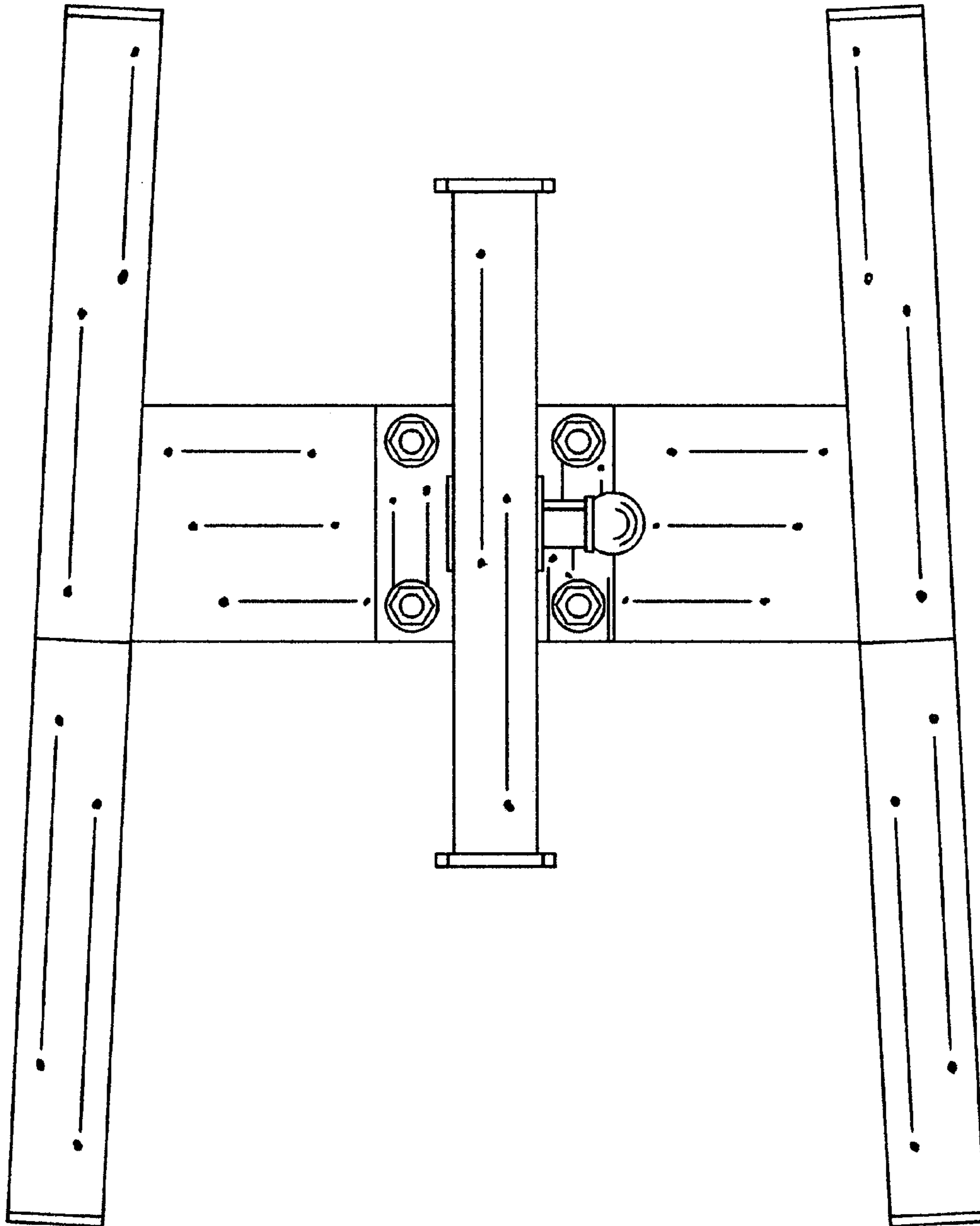


FIG. 6

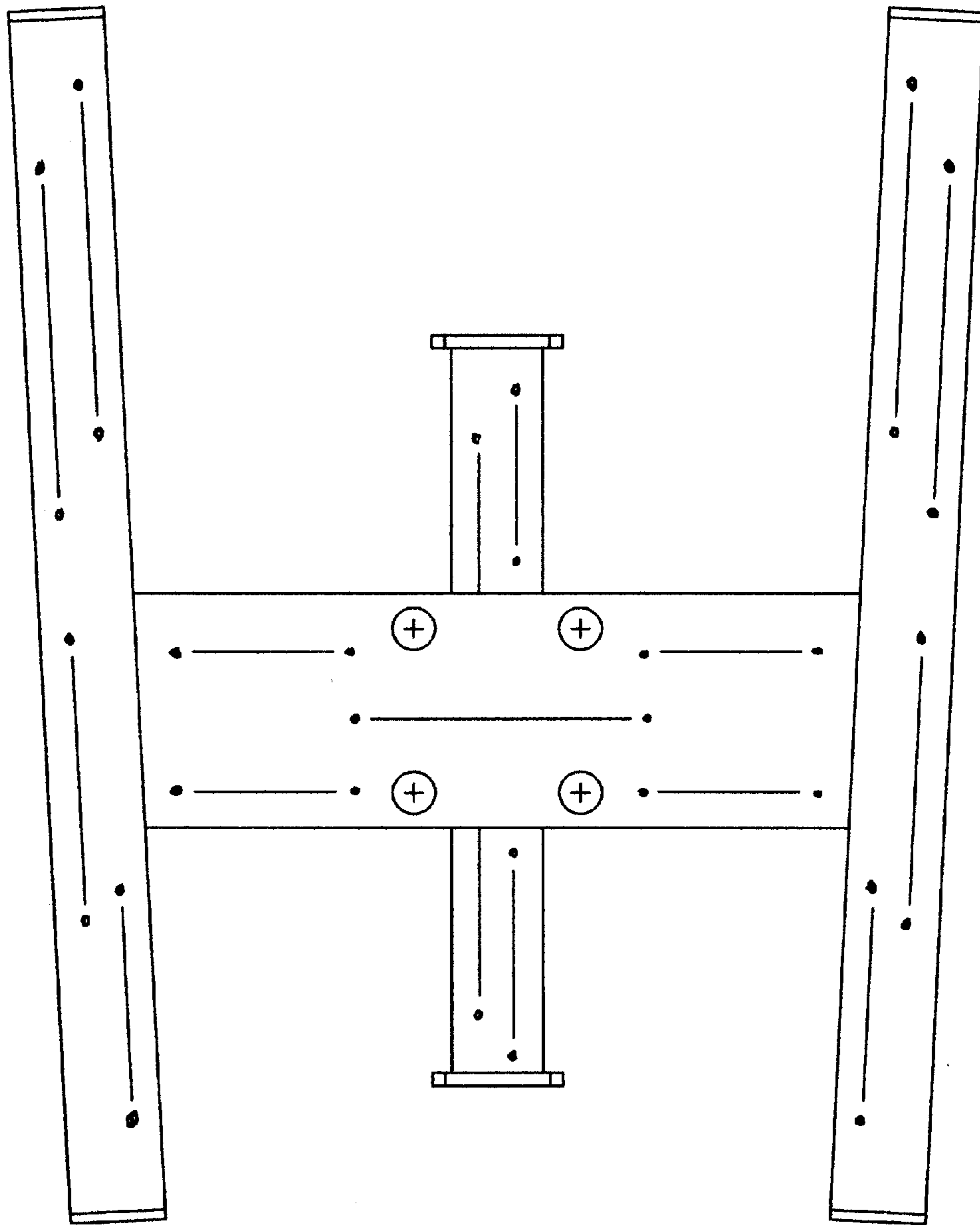


FIG. 7

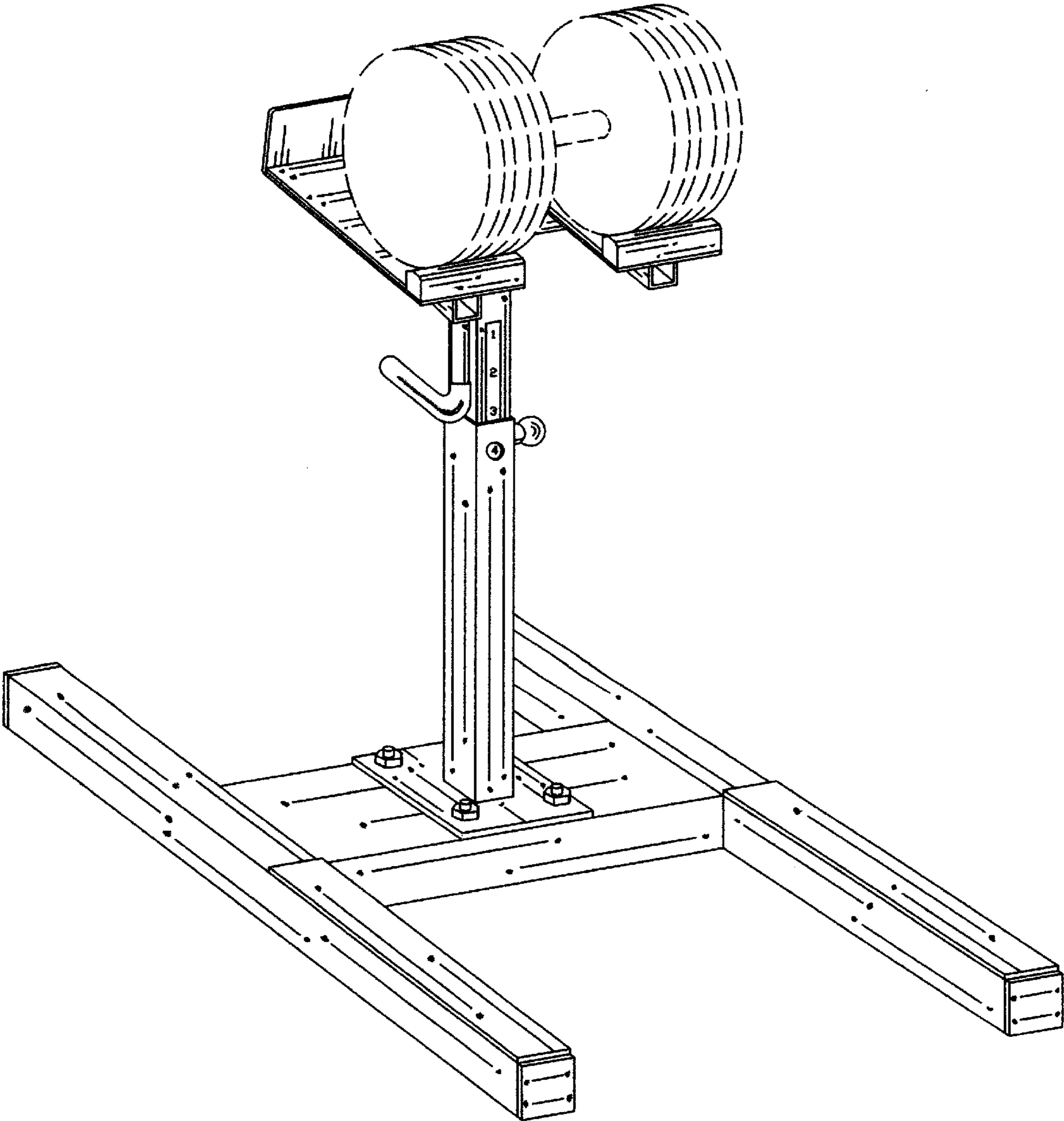


FIG. 8

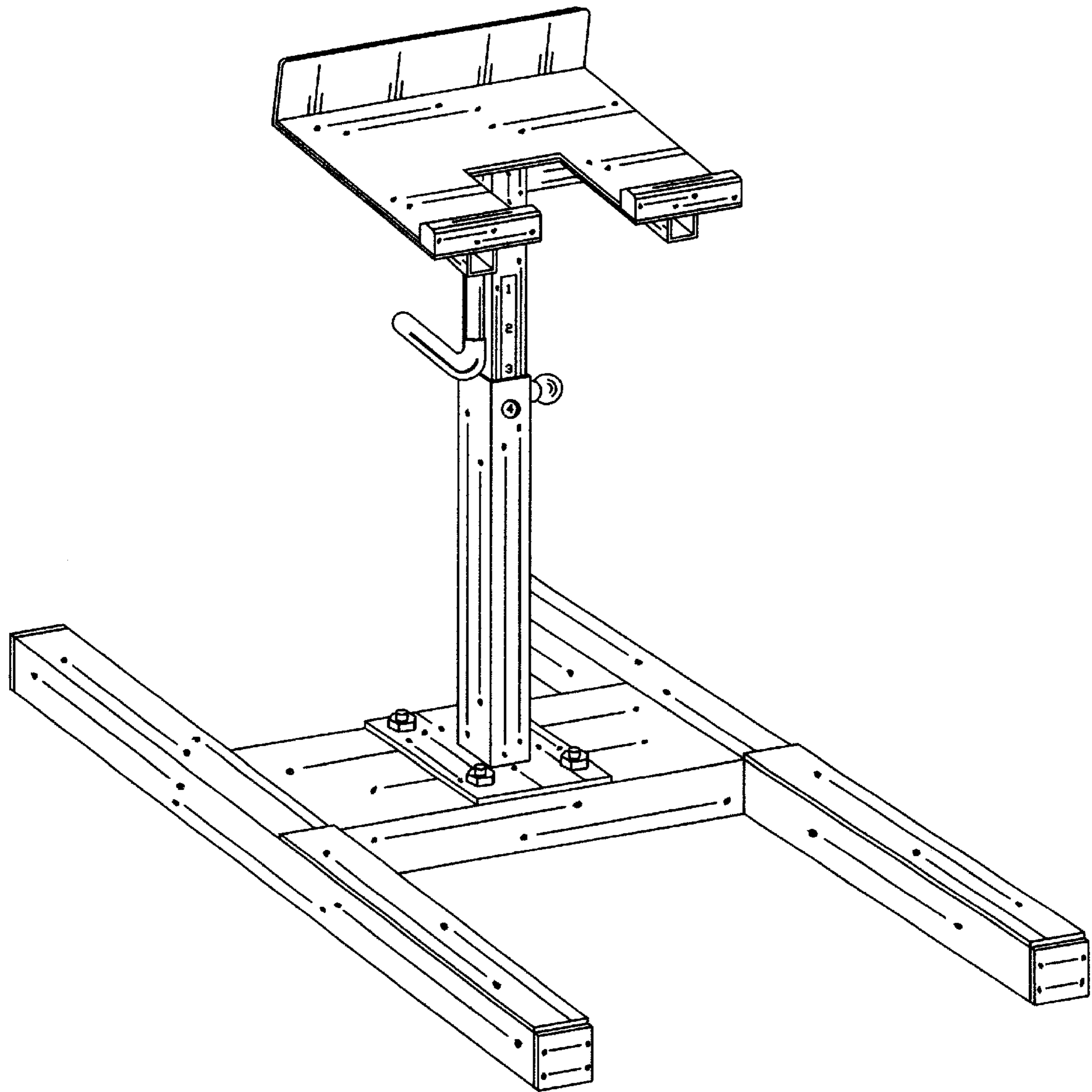


FIG. 9

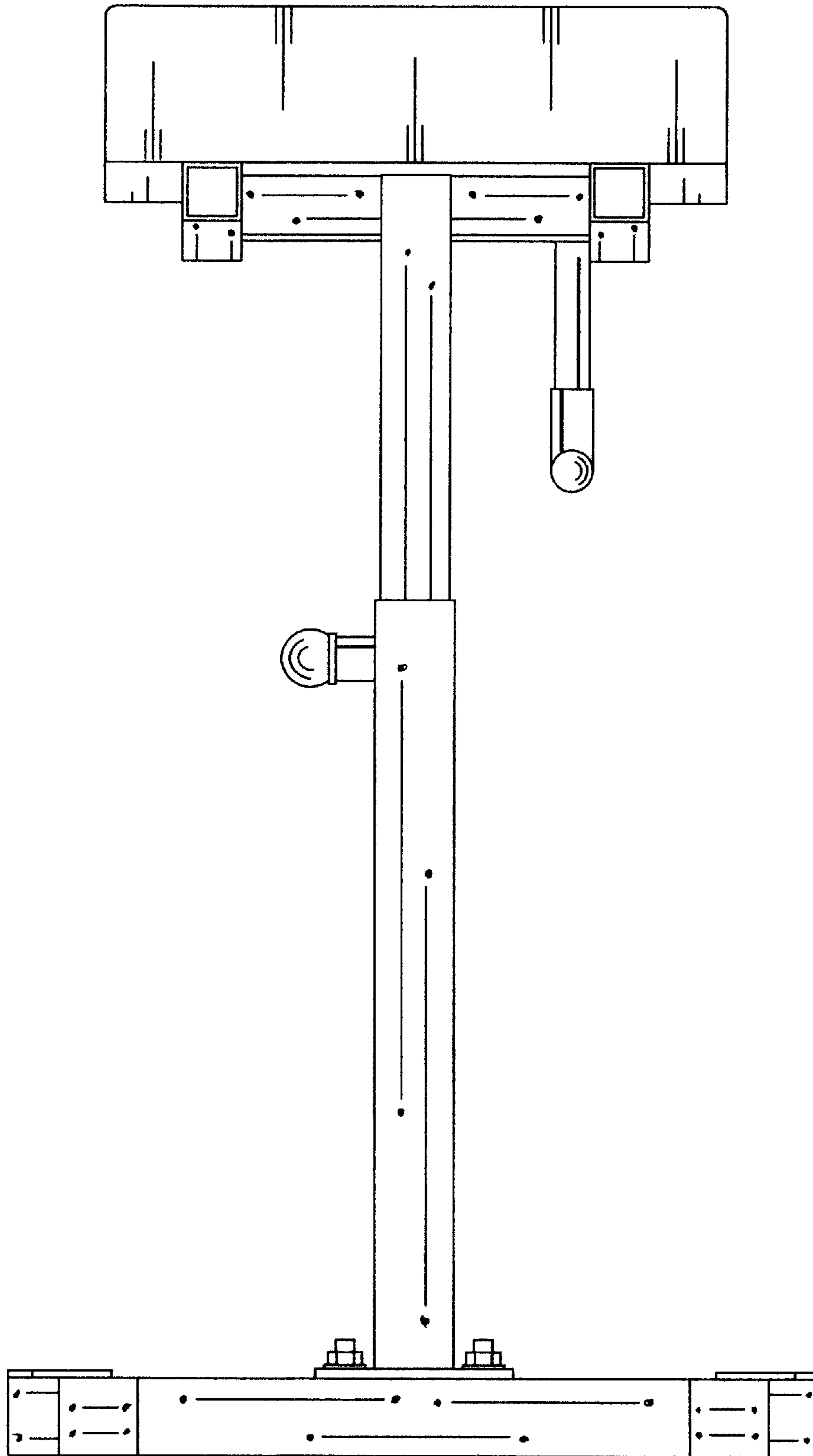


FIG. 10

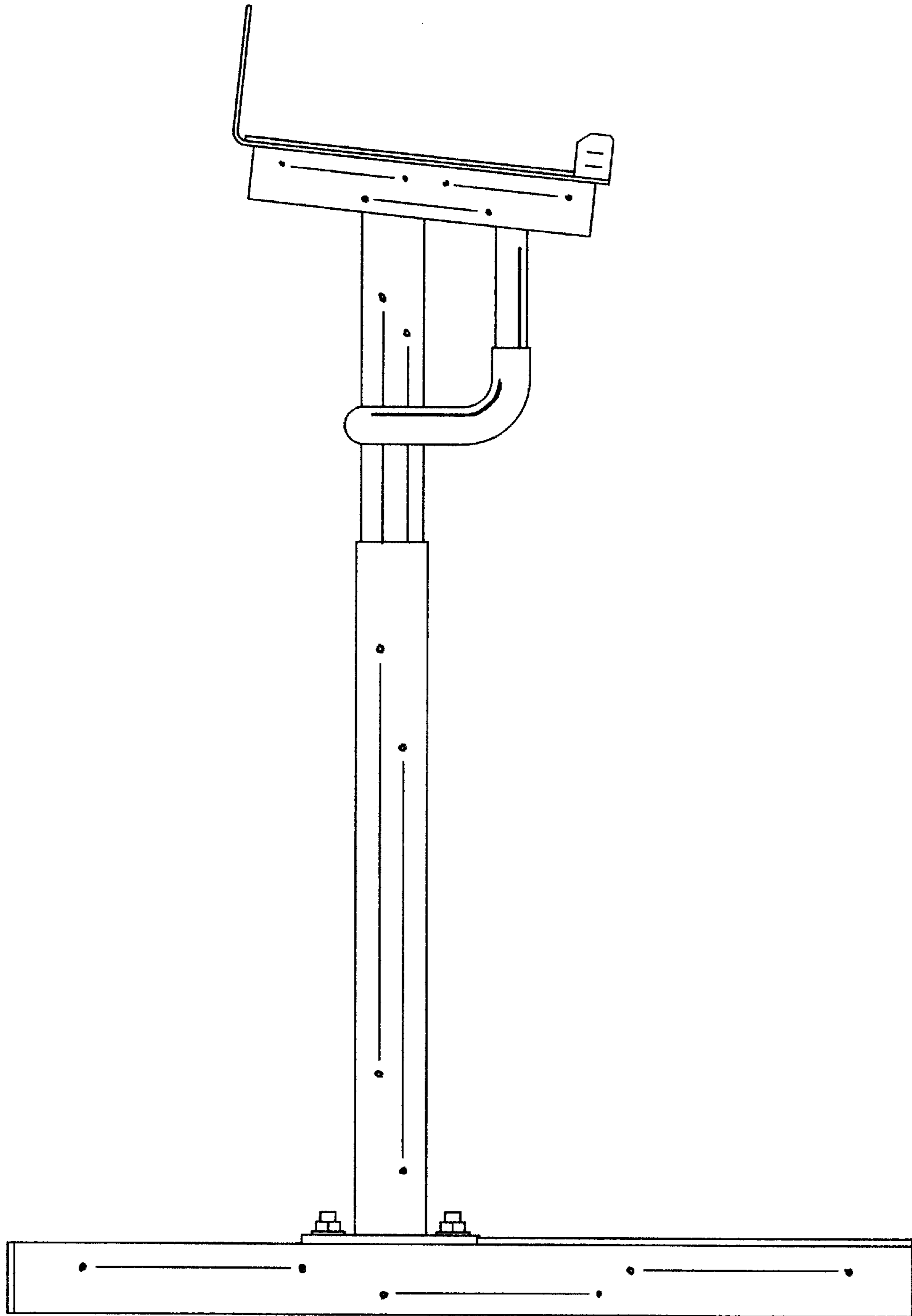


FIG. 11

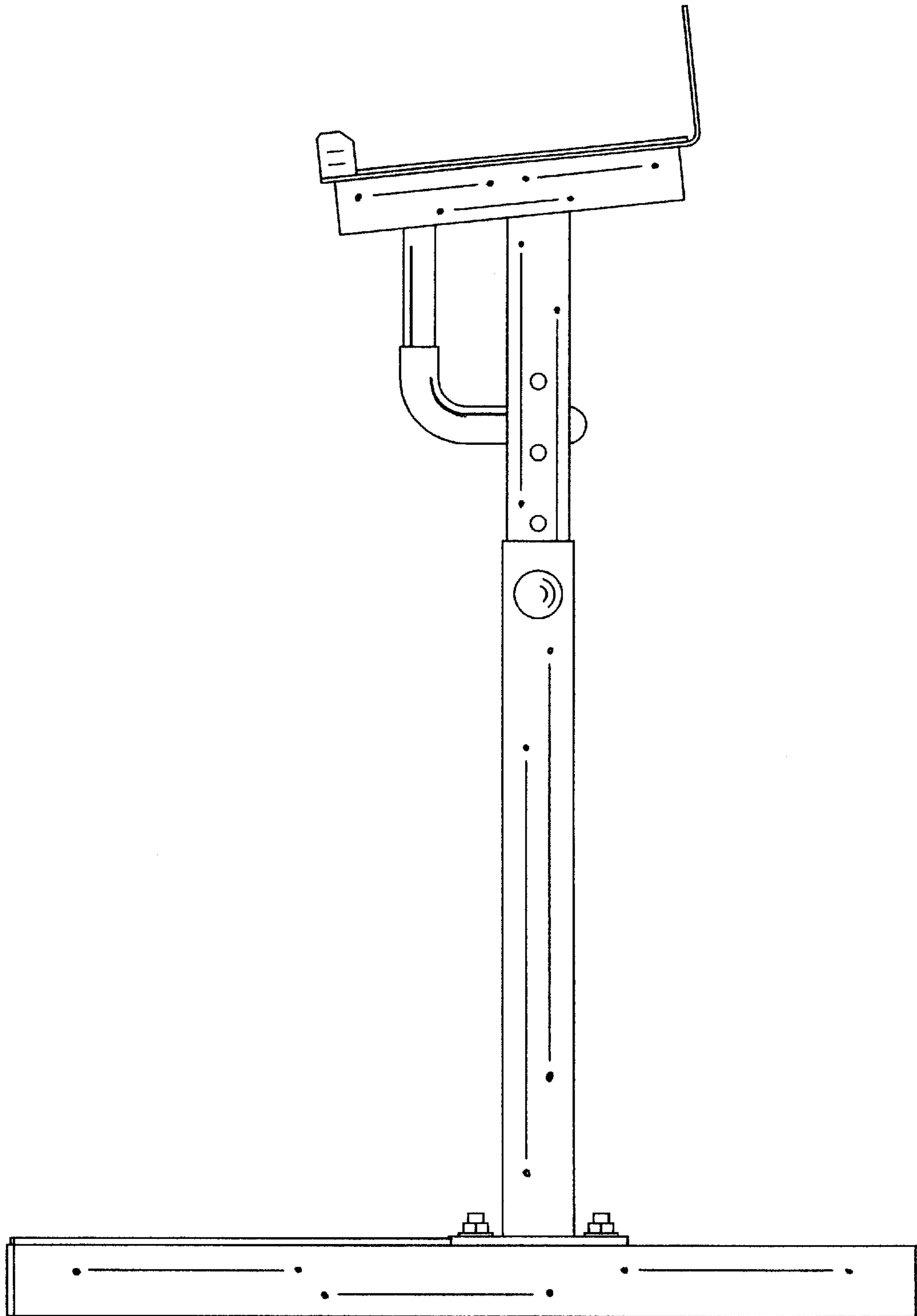


FIG. 12

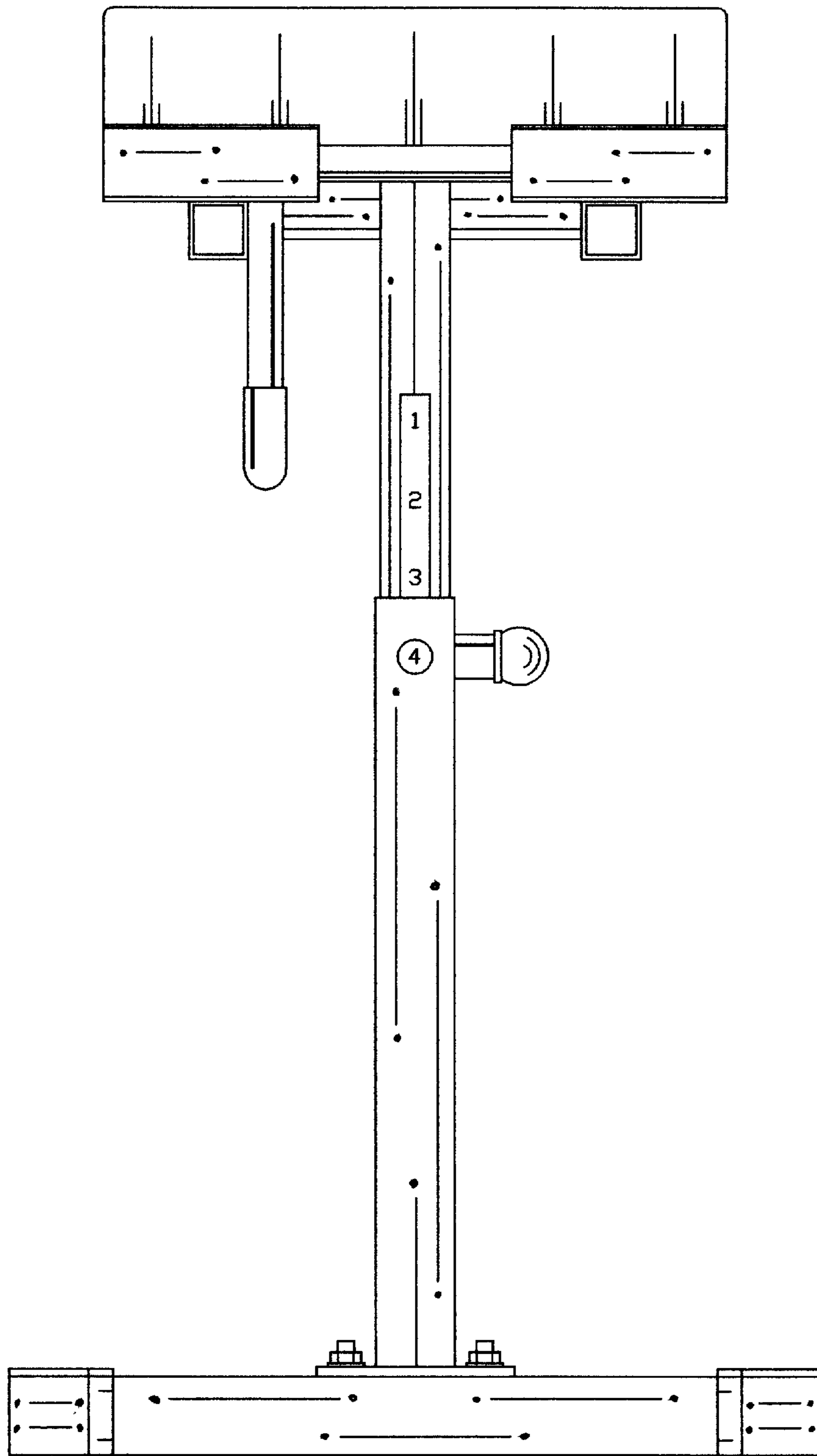


FIG. 13

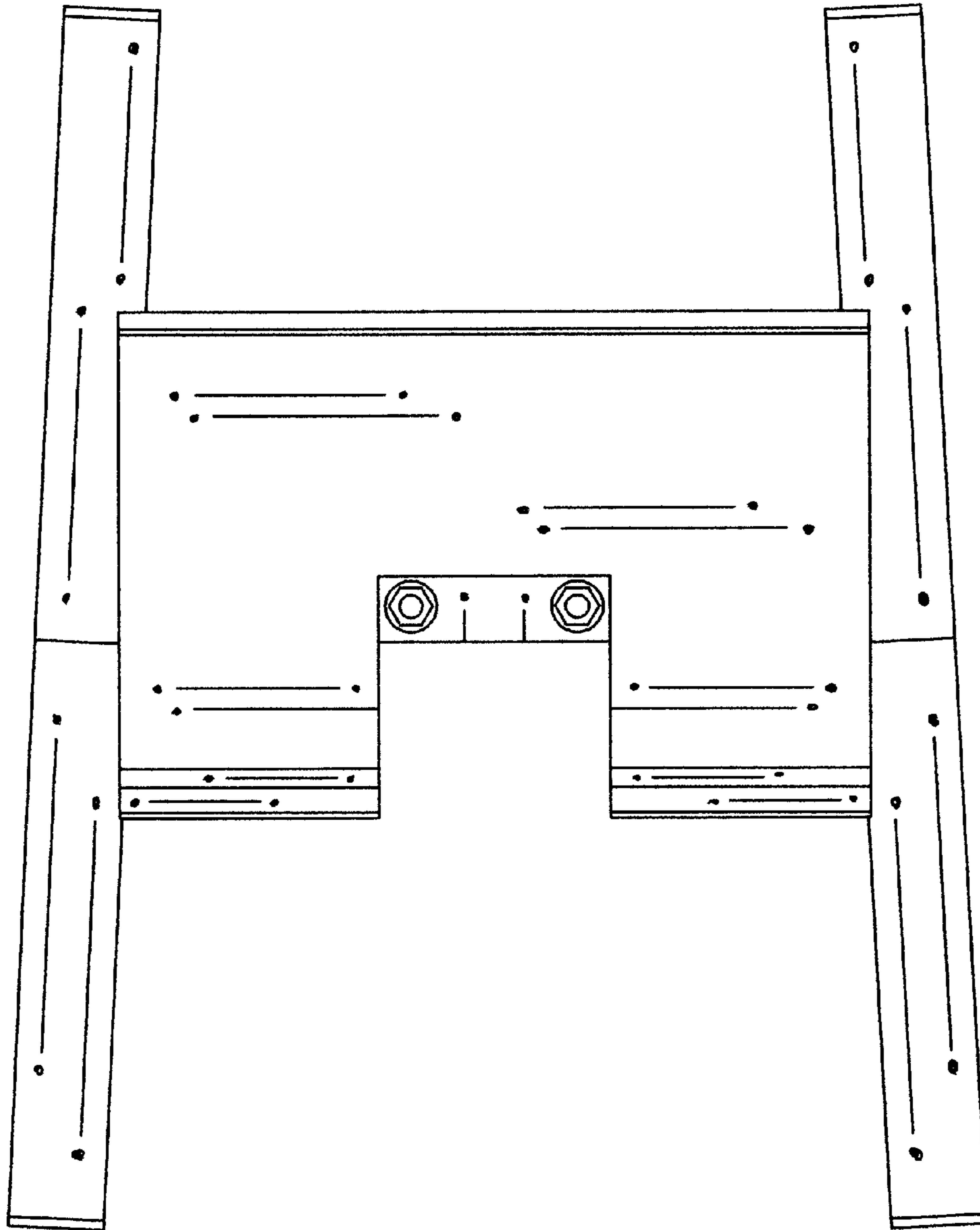


FIG. 14

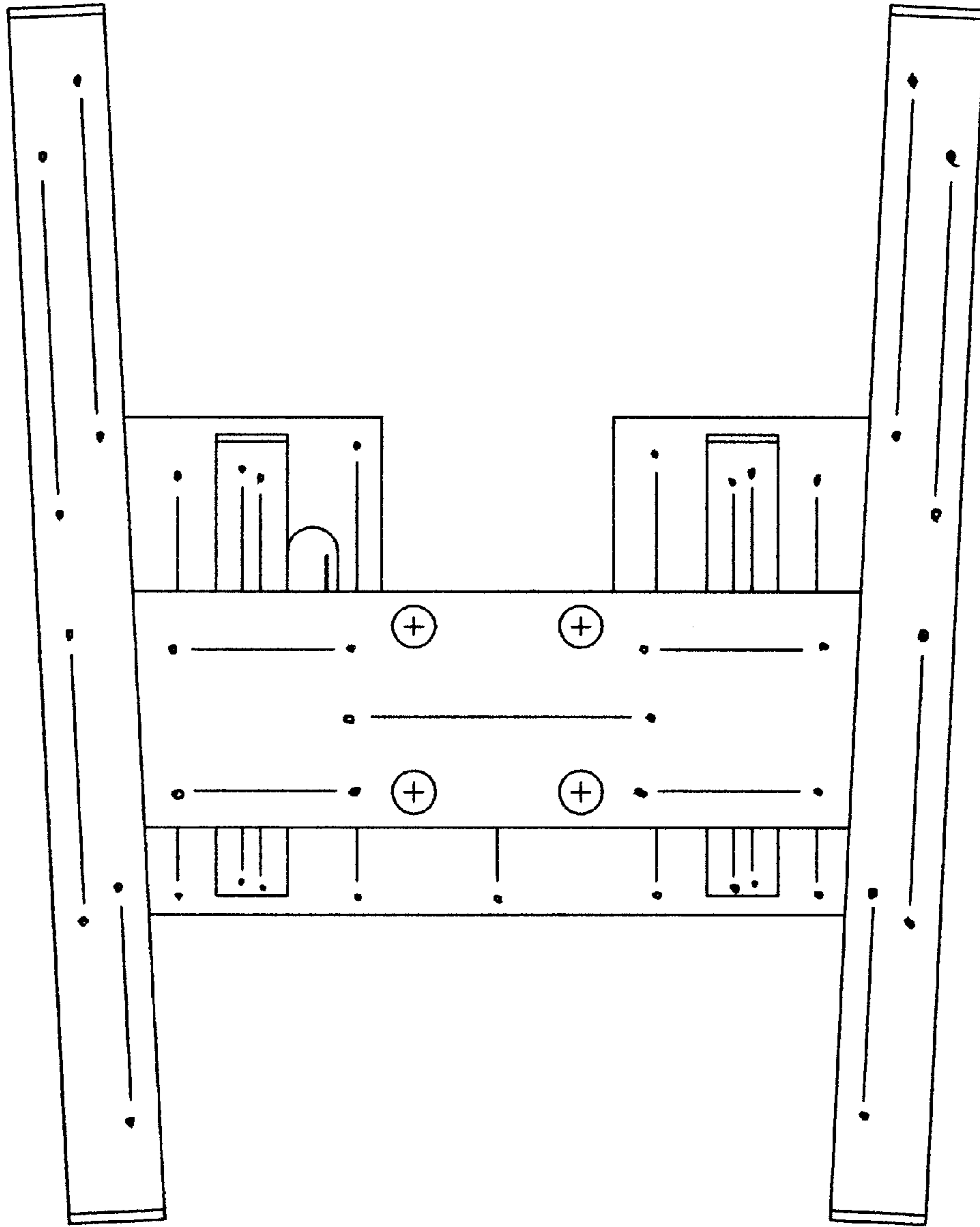


FIG. 15