

US00D504162S

(12) **United States Design Patent**
Andersen

(10) **Patent No.:** **US D504,162 S**

(45) **Date of Patent:** **** Apr. 19, 2005**

(54) **TOY MAGNET**

(75) **Inventor:** **Jakob Andersen, Mid Levels (HK)**

(73) **Assignee:** **Dracco Company Ltd., Kowloon (HK)**

(**) **Term:** **14 Years**

(21) **Appl. No.:** **29/178,890**

(22) **Filed:** **Apr. 2, 2003**

(51) **LOC (7) Cl. 21-01**

(52) **U.S. Cl. D21/404; D21/488; D21/489**

(58) **Field of Search D21/386, 387,
D21/390, 398, 404, 436, 437, 441, 484,
488, 503, 489; D11/132-140; D13/183;
446/85, 92, 102, 108, 111, 116, 119-122,
124-139; 335/285, 286, 291-294, 296-298,
302-304, 306**

(56) **References Cited**

U.S. PATENT DOCUMENTS

2,469,364 A	*	5/1949	Boyle	273/160
3,148,539 A	*	9/1964	Cook	73/804
3,706,158 A	*	12/1972	Jensen	446/92
D240,953 S	*	8/1976	Simonsen et al.	D21/488
5,360,364 A	*	11/1994	Poulsen et al.	446/102

5,658,660 A	*	8/1997	Teshima et al.	428/334
D400,602 S	*	11/1998	Glickman et al.	D21/484
D409,680 S	*	5/1999	Krog	D21/502
6,491,563 B1	*	12/2002	Bailey	446/122
6,626,727 B1	*	9/2003	Balanchi	446/85

OTHER PUBLICATIONS

Bunting Magnetics Co. "Magnet Manual" Catalog No. 364-3, p. 6: magnets indicated by arrows.*

* cited by examiner

Primary Examiner—Catherine Tuttle

(74) *Attorney, Agent, or Firm*—Sughrue Mion, PLLC

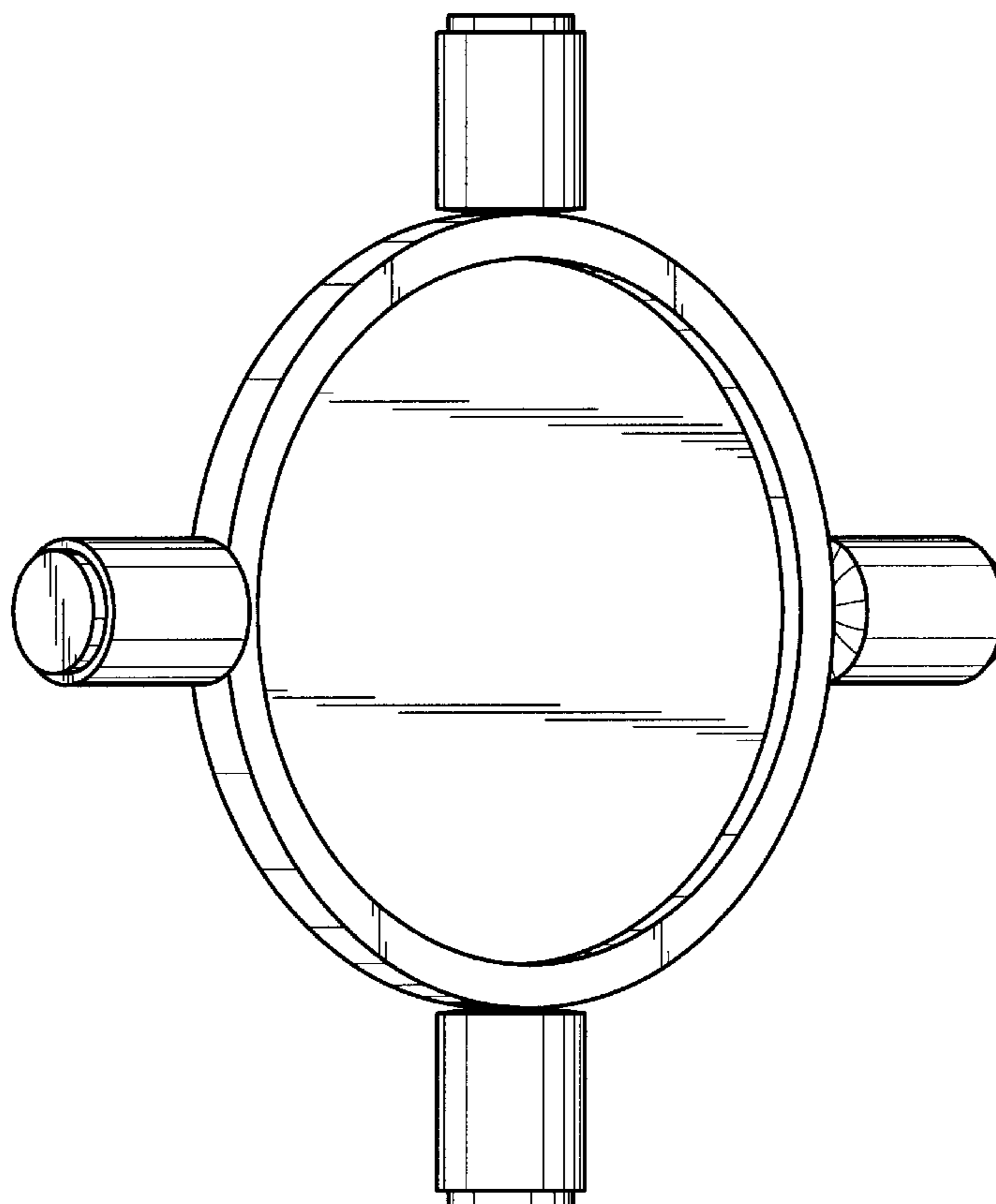
(57) **CLAIM**

The ornamental design for a toy magnet, as shown and described.

DESCRIPTION

FIG. 1 is a perspective view of the front and left side of a toy magnet showing my new design; FIG. 2 is a front elevational view thereof, the rear elevational view being identical thereto; and, FIG. 3 is a left side elevational view thereof, the right side, top and bottom views each being identical thereto.

1 Claim, 3 Drawing Sheets



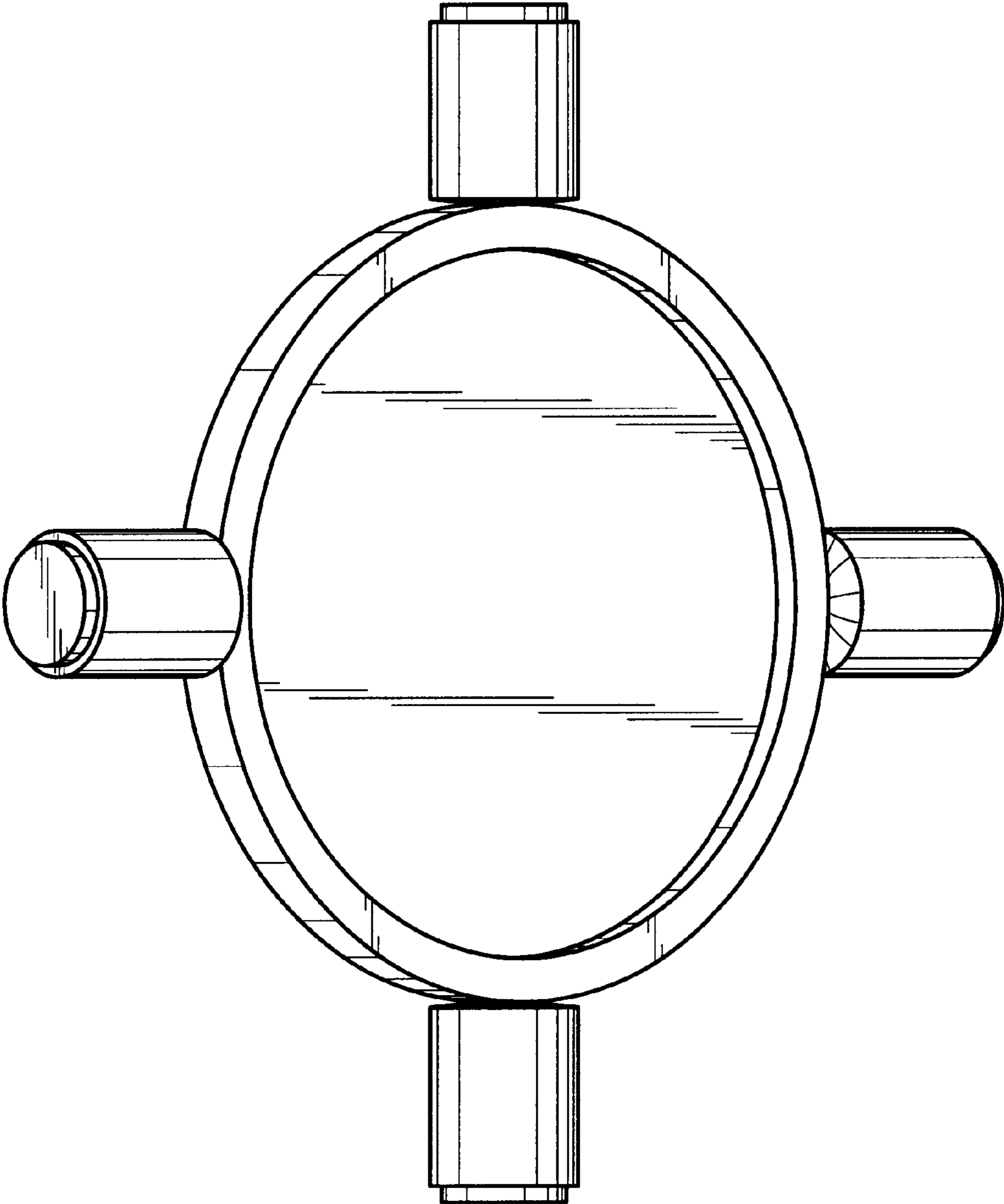


Fig. 1

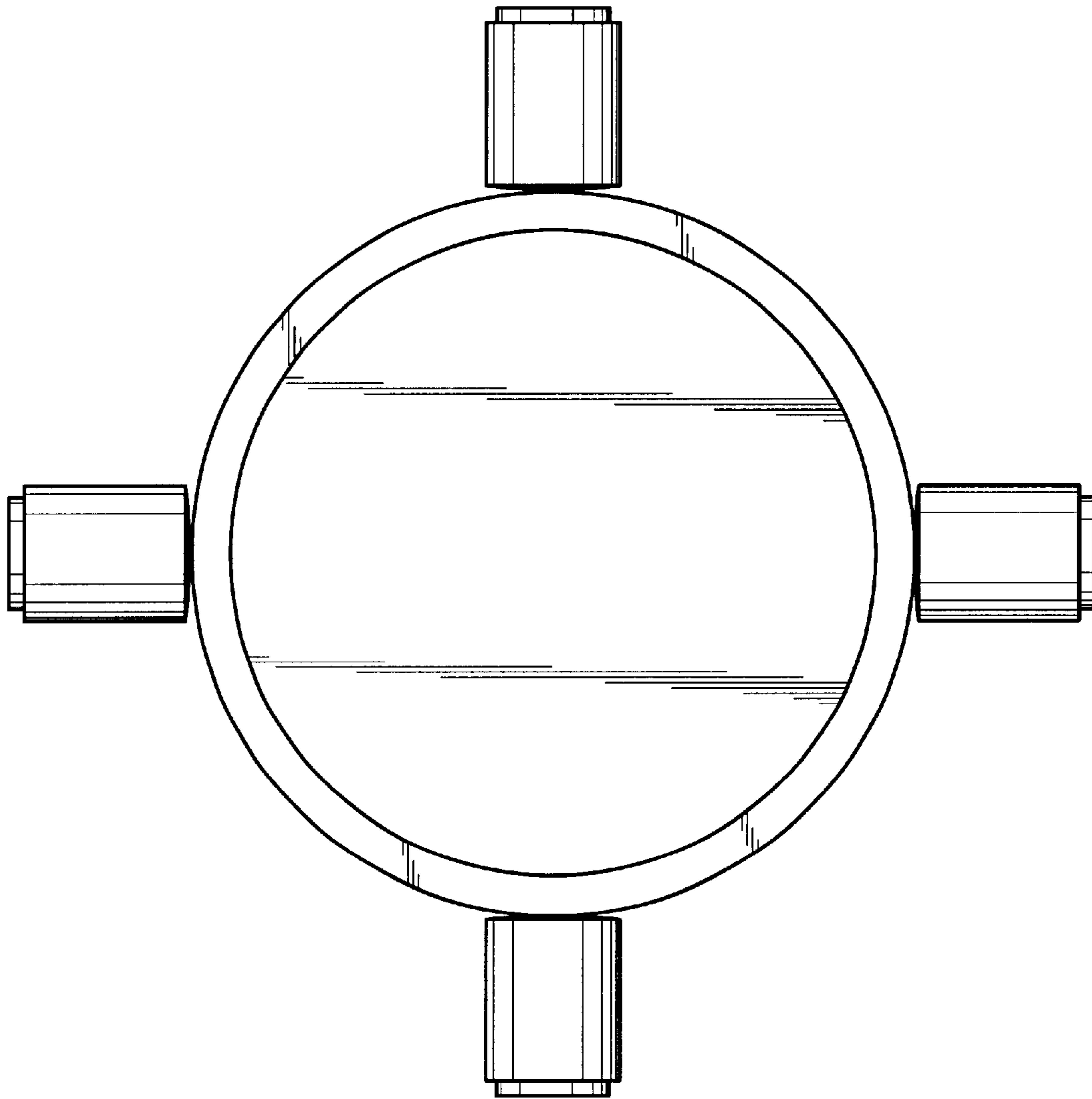


Fig. 2

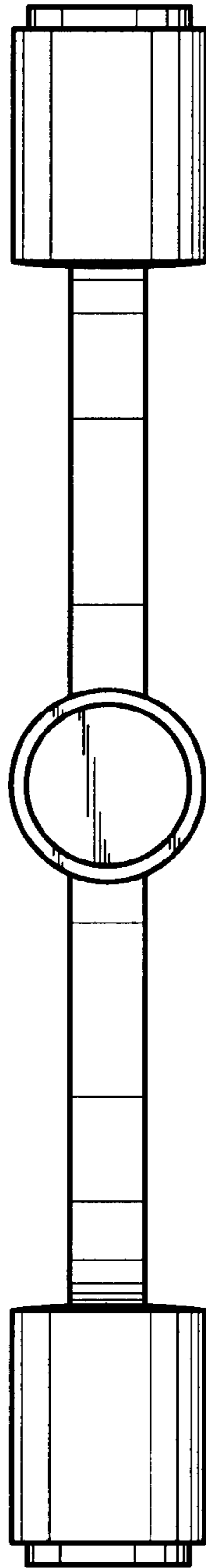


Fig. 3