

US00D504160S

(12) **United States Design Patent**  
**Abramson**

(10) **Patent No.:** **US D504,160 S**

(45) **Date of Patent:** **\*\* Apr. 19, 2005**

(54) **SIGNAGE HOLDER**

(76) **Inventor:** **Brian Abramson**, 304 - 365 Kennedy  
Road South, Brampton, Ontario (CA),  
L6W 3H3

(\*\*) **Term:** **14 Years**

(21) **Appl. No.:** **29/191,143**

(22) **Filed:** **Oct. 3, 2003**

(51) **LOC (7) Cl.** ..... **20-03**

(52) **U.S. Cl.** ..... **D20/44**

(58) **Field of Search** ..... D20/10, 43-4,  
D20/99; D25/119-125; 40/611, 646, 642.02,  
649, 651, 653, 658, 660-1, 661.03, 662;  
248/119-125

(56) **References Cited**

**U.S. PATENT DOCUMENTS**

D117,685 S \* 11/1939 Bonnell ..... D25/125  
D117,893 S \* 12/1939 Bonnell ..... D25/121  
D187,517 S \* 3/1960 Linscoff ..... D20/44  
D221,854 S \* 9/1971 Dowdell, Jr. et al. .... D23/373

D225,208 S \* 11/1972 Miller ..... D20/44  
D273,204 S \* 3/1984 Baker ..... D20/44  
D273,596 S \* 4/1984 Waldecrantz ..... D20/44  
D304,085 S \* 10/1989 Hockney ..... D25/119  
D319,886 S \* 9/1991 Simpson et al. .... D25/119  
D433,459 S \* 11/2000 Balchin ..... D20/44

\* cited by examiner

*Primary Examiner*—Robert M. Spear

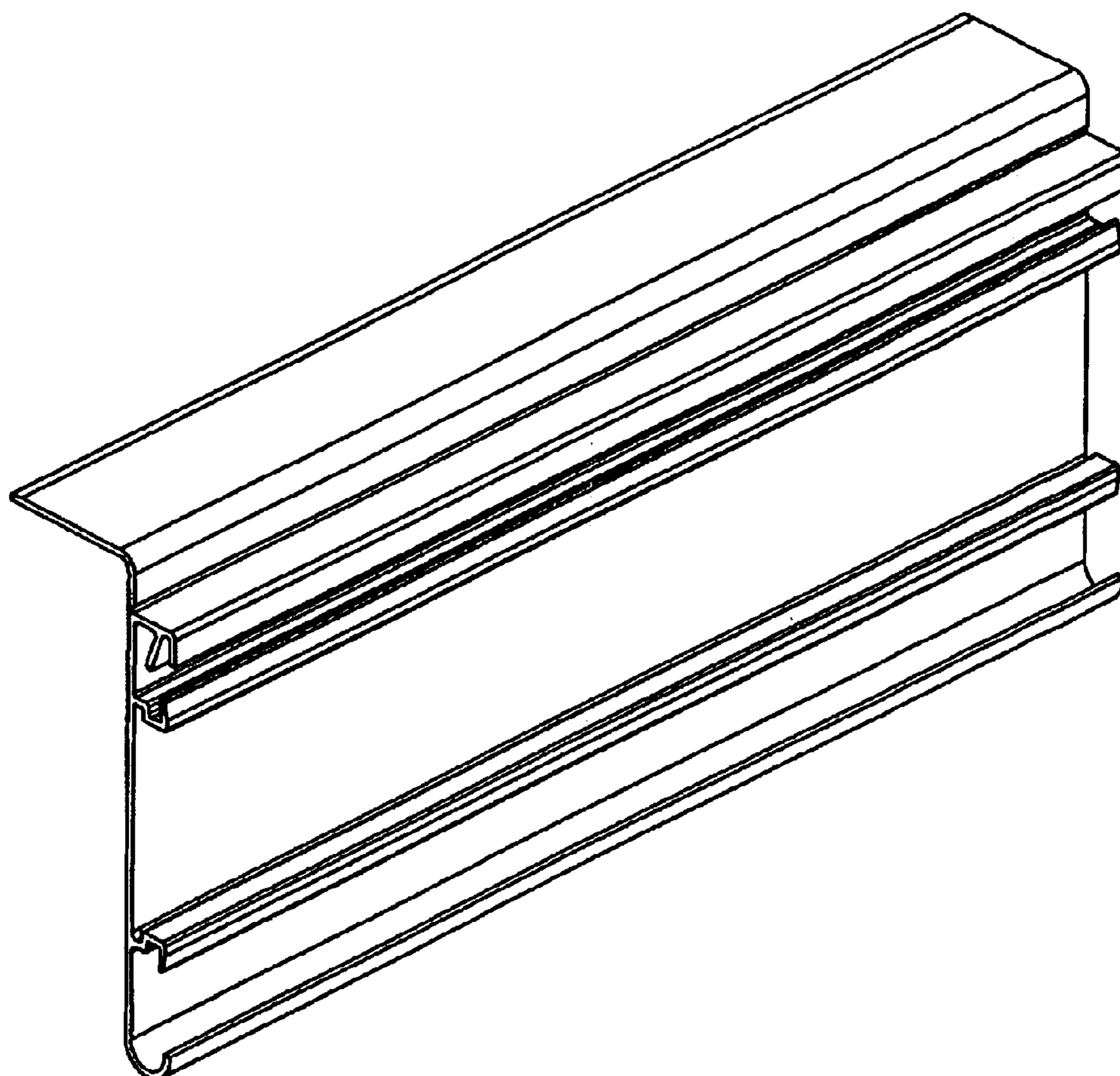
(57) **CLAIM**

The ornamental design for a signage holder, as shown and described.

**DESCRIPTION**

FIG. 1 is a perspective view of a signage holder in accordance with the present invention;  
FIG. 2 is a front view of the signage holder of FIG. 1;  
FIG. 3 is a rear view of the signage holder of FIG. 1;  
FIG. 4 is a first end view of the signage holder of FIG. 1;  
FIG. 5 is a second end view of the signage holder of FIG. 1;  
FIG. 6 is a top view of the signage holder of FIG. 1; and,  
FIG. 7 is a bottom view of the signage holder of FIG. 1.

**1 Claim, 7 Drawing Sheets**



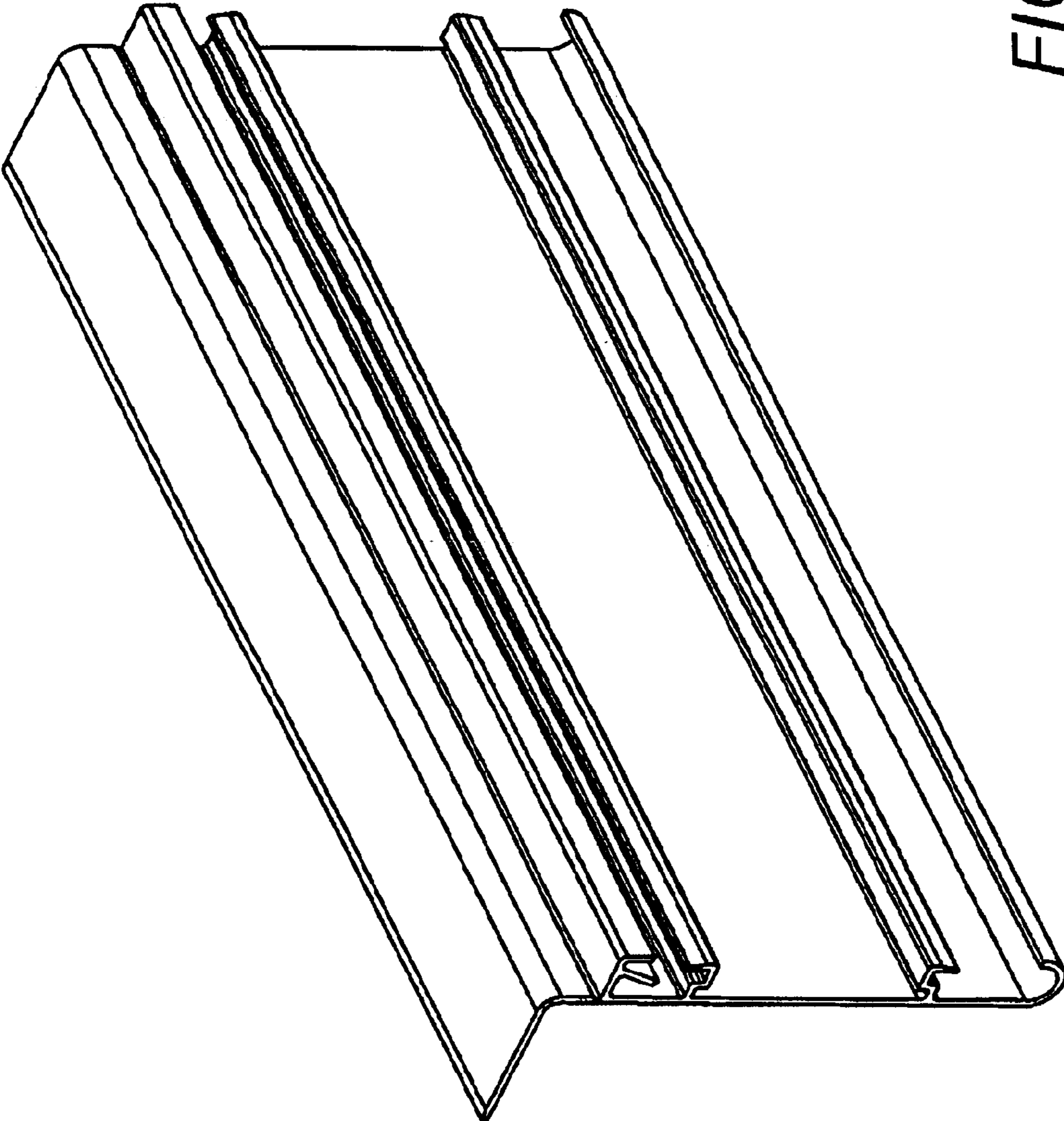


FIG. 1

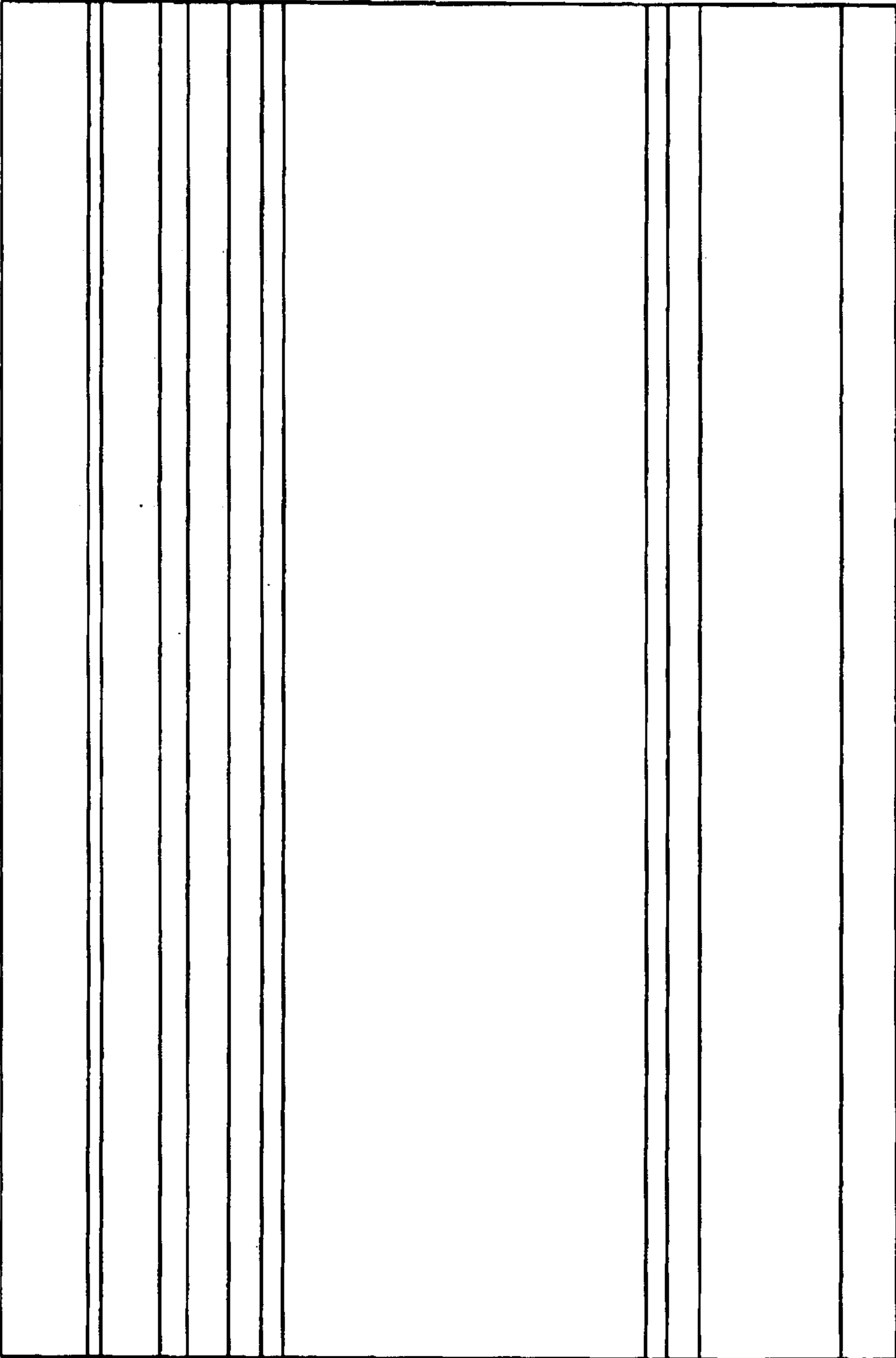


FIG. 2

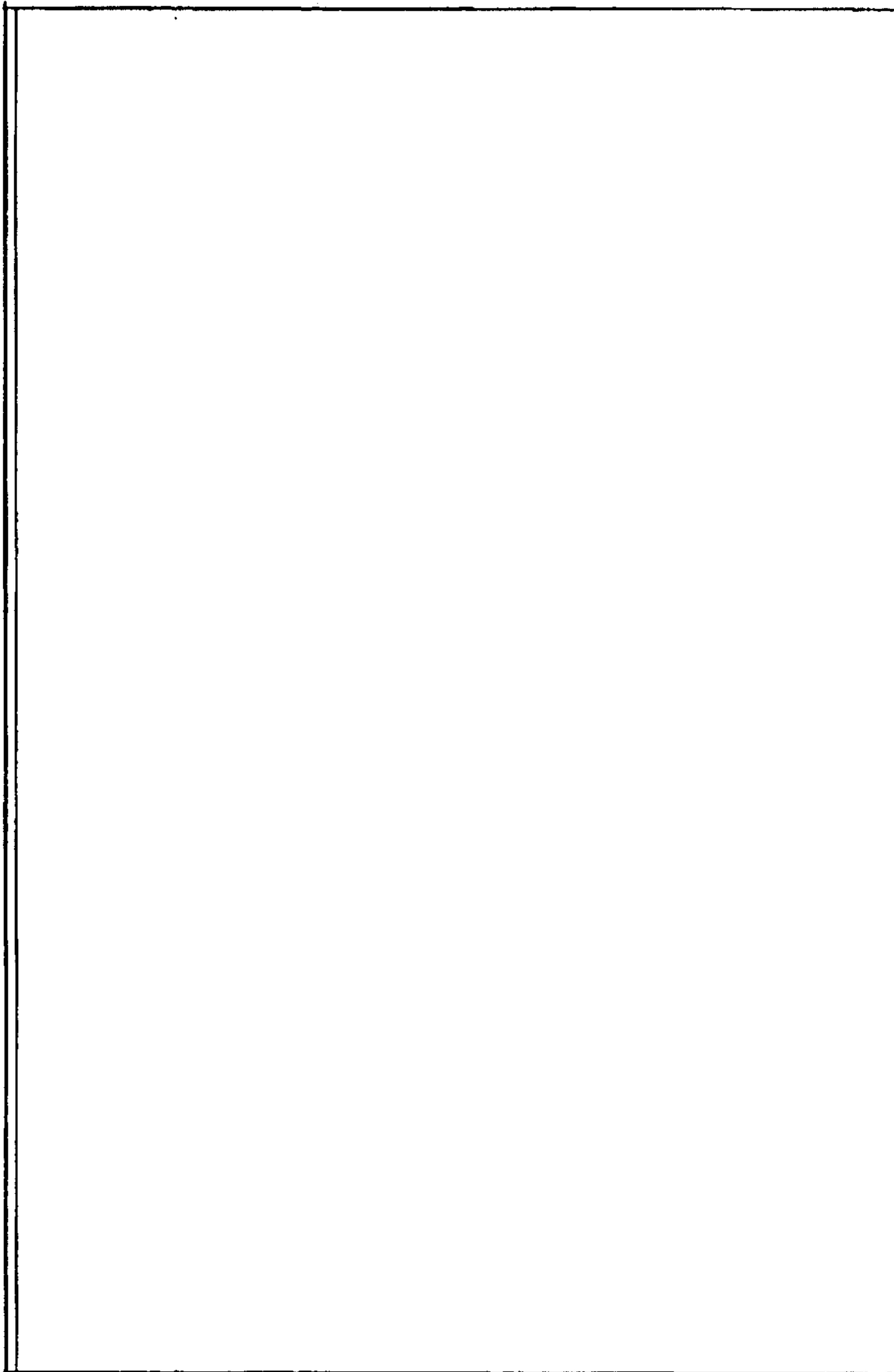


FIG. 3

FIG. 4

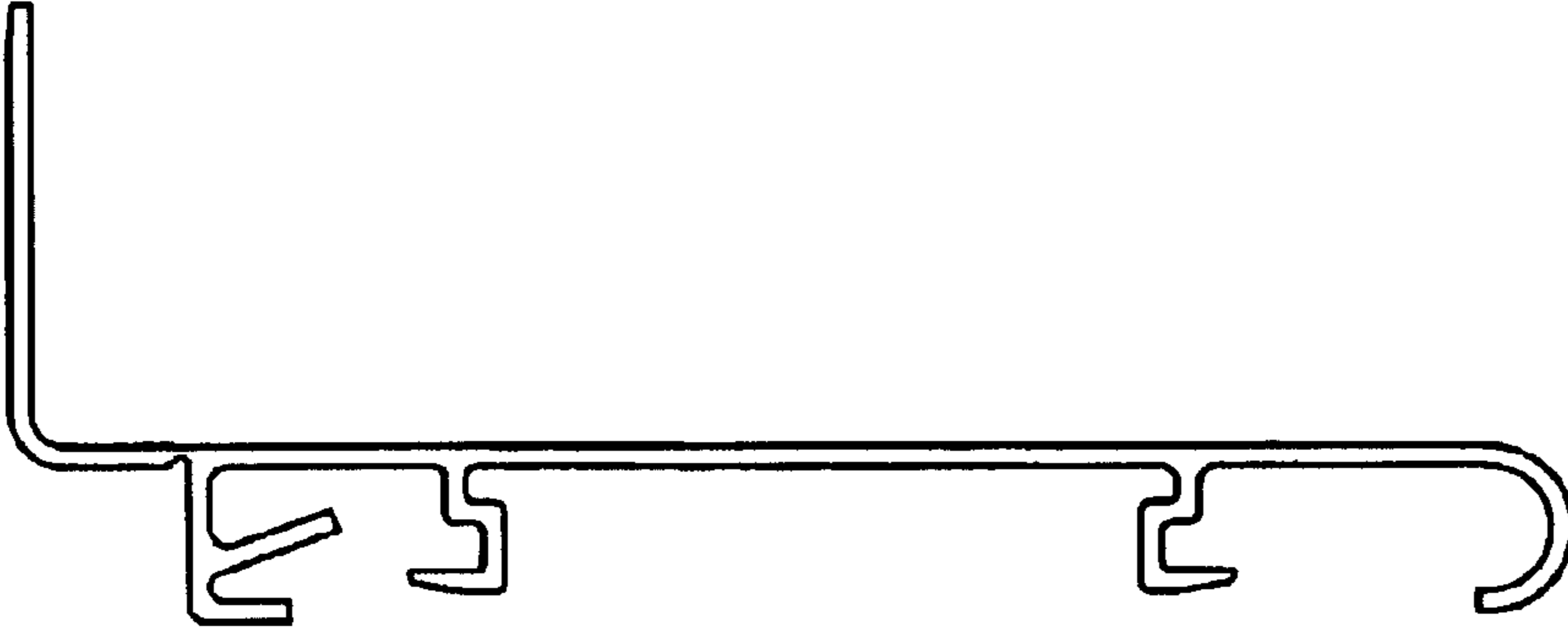
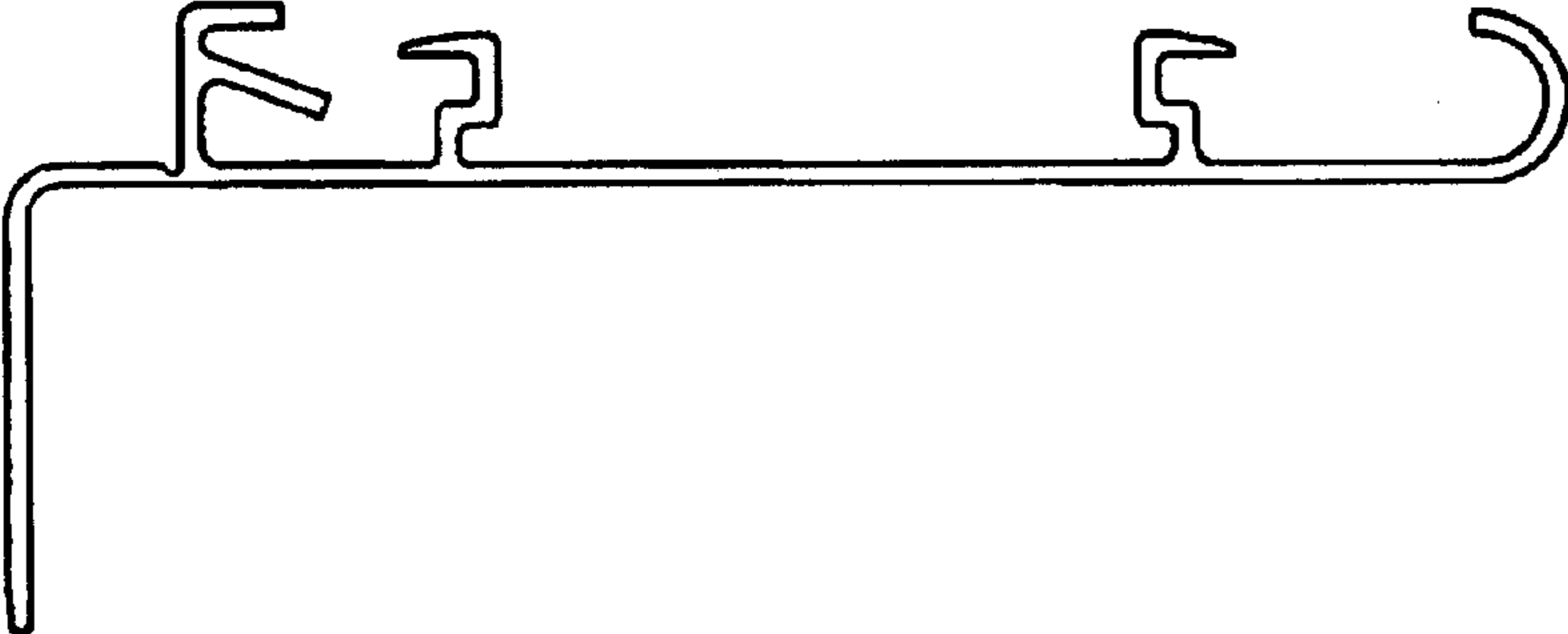


FIG. 5



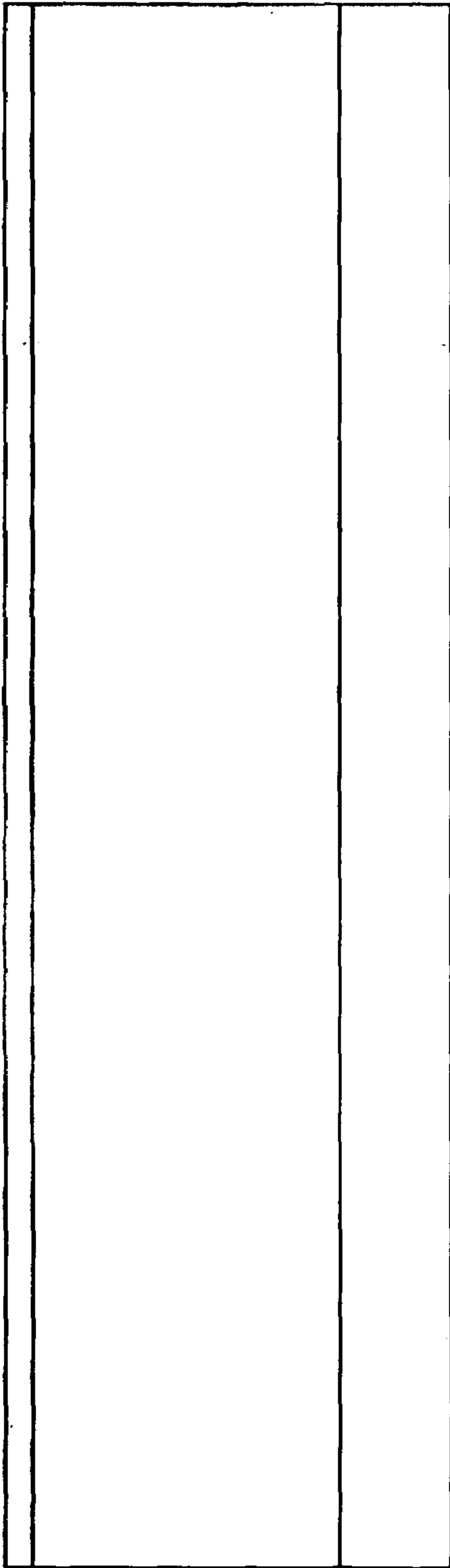


FIG. 6

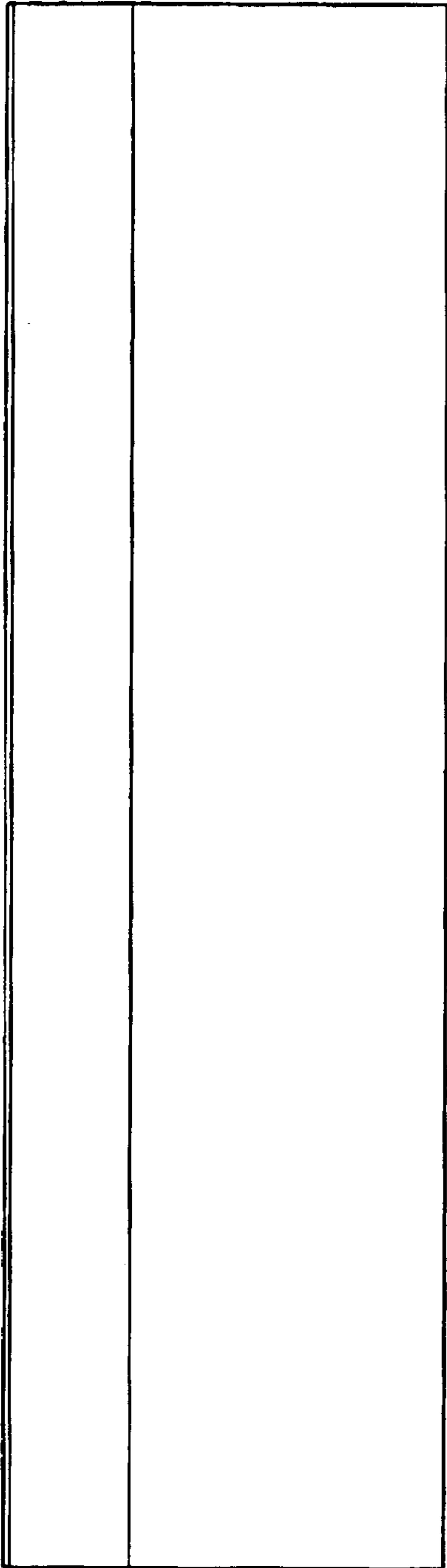


FIG. 7