

US00D504158S

(12) **United States Design Patent**
Tandberg

(10) **Patent No.:** **US D504,158 S**

(45) **Date of Patent:** **** Apr. 19, 2005**

(54) **UPPER FRONT DOOR PANEL FOR A
RETURN VENDING MACHINE**

D477,030 S * 7/2003 Kolls et al. D20/8
D478,356 S * 8/2003 Tandberg D20/8

(75) Inventor: **Roy Håvard Tandberg, Nesøya (NO)**

* cited by examiner

(73) Assignee: **Tomra Systems ASA, Asker (NO)**

Primary Examiner—Robert M. Spear

(**) Term: **14 Years**

(74) *Attorney, Agent, or Firm*—Rodman & Rodman

(21) Appl. No.: **29/177,627**

(22) Filed: **Mar. 12, 2003**

(57) **CLAIM**

I claim the ornamental design for the upper front door panel for a return vending machine, as shown and described.

(30) **Foreign Application Priority Data**

Sep. 16, 2002 (NO) 2002 0593

DESCRIPTION

(51) **LOC (7) Cl.** **20-01**

(52) **U.S. Cl.** **D20/8**

(58) **Field of Search** D20/1-9; 194/239,
194/320, 342, 350; 221/92, 128, 155, 191,
194, 284

FIG. 1 is a front view of an upper front door panel, for a return vending machine, incorporating my new design.

FIG. 2 is a front perspective view from above and one side of the upper front door panel for a return vending machine.

FIG. 3 is a rear perspective view from above and other side of the upper front door panel for a return vending machine.

FIG. 4 is a rear view of the upper front door panel for a return vending machine.

FIG. 5 is a side view of one side of the upper front door panel for a return vending machine.

FIG. 6 is a side view from other side of the upper front door panel for a return vending machine.

FIG. 7 is a plan view of the upper front door panel for a return vending machine; and,

FIG. 8 is an underneath plan view of the upper front door panel for a return vending machine.

(56) **References Cited**

U.S. PATENT DOCUMENTS

D282,936 S	*	3/1986	Gardner et al.	D20/1
D420,393 S	*	2/2000	Manno, Sr.	D20/8
D422,314 S	*	4/2000	Tandberg	D20/1
D425,563 S	*	5/2000	Tandberg	D20/8
D434,449 S	*	11/2000	Tandberg	D20/8
D435,596 S	*	12/2000	Vaajakallio	D20/5
D441,022 S	*	4/2001	Vaajakallio	D20/1
D441,023 S	*	4/2001	Vaajakallio	D20/1

1 Claim, 6 Drawing Sheets

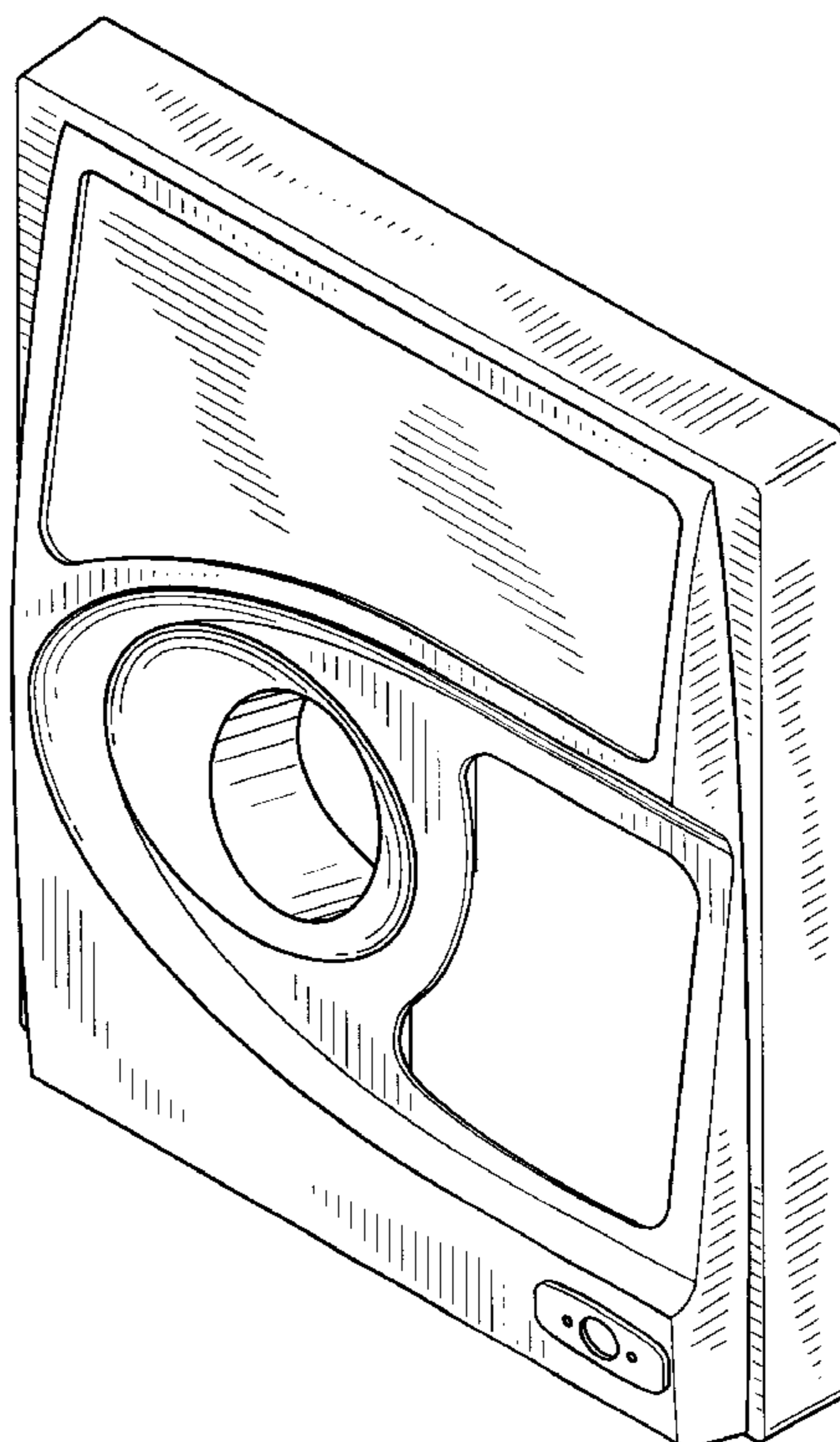


FIG. 1

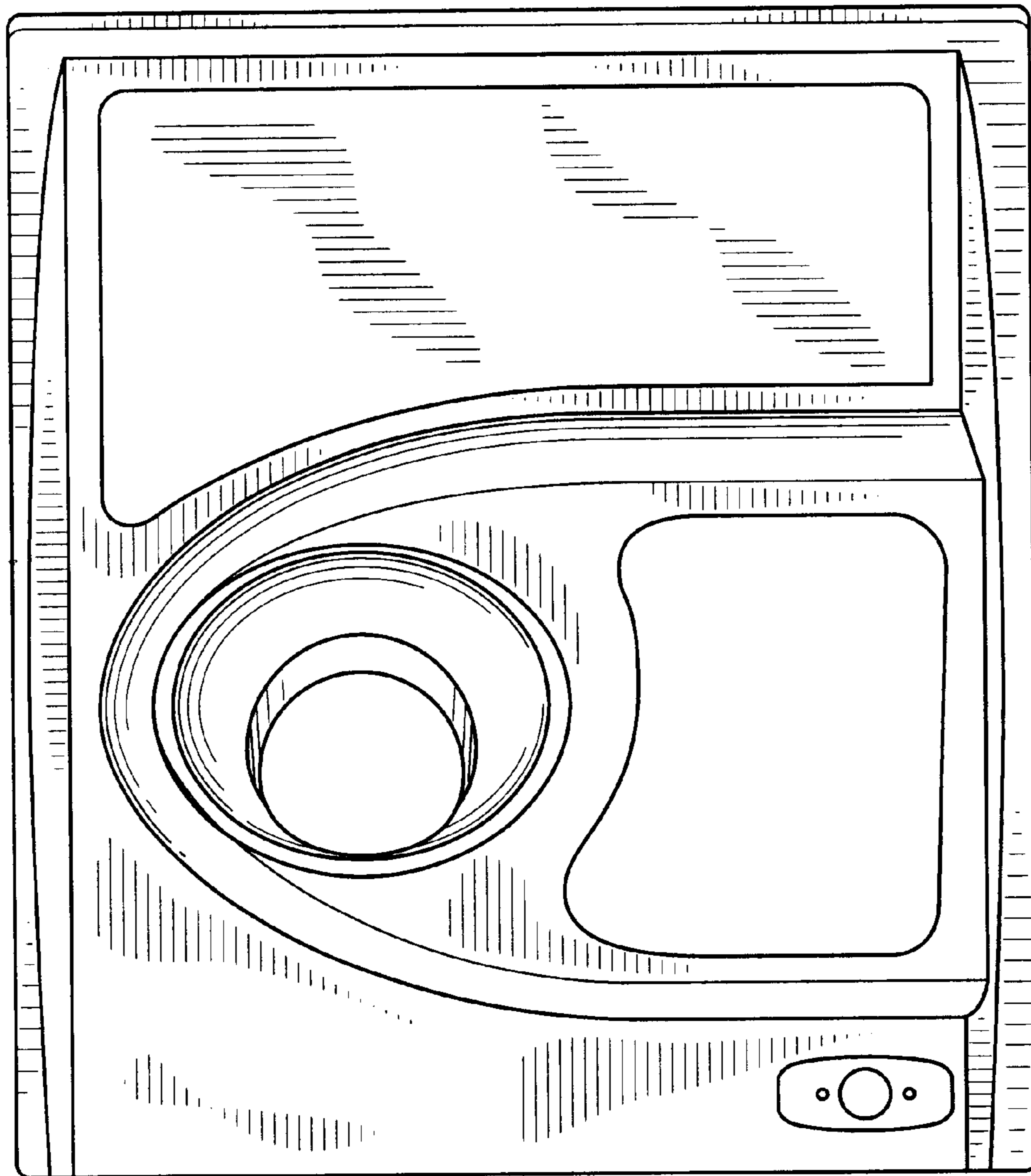


FIG. 2

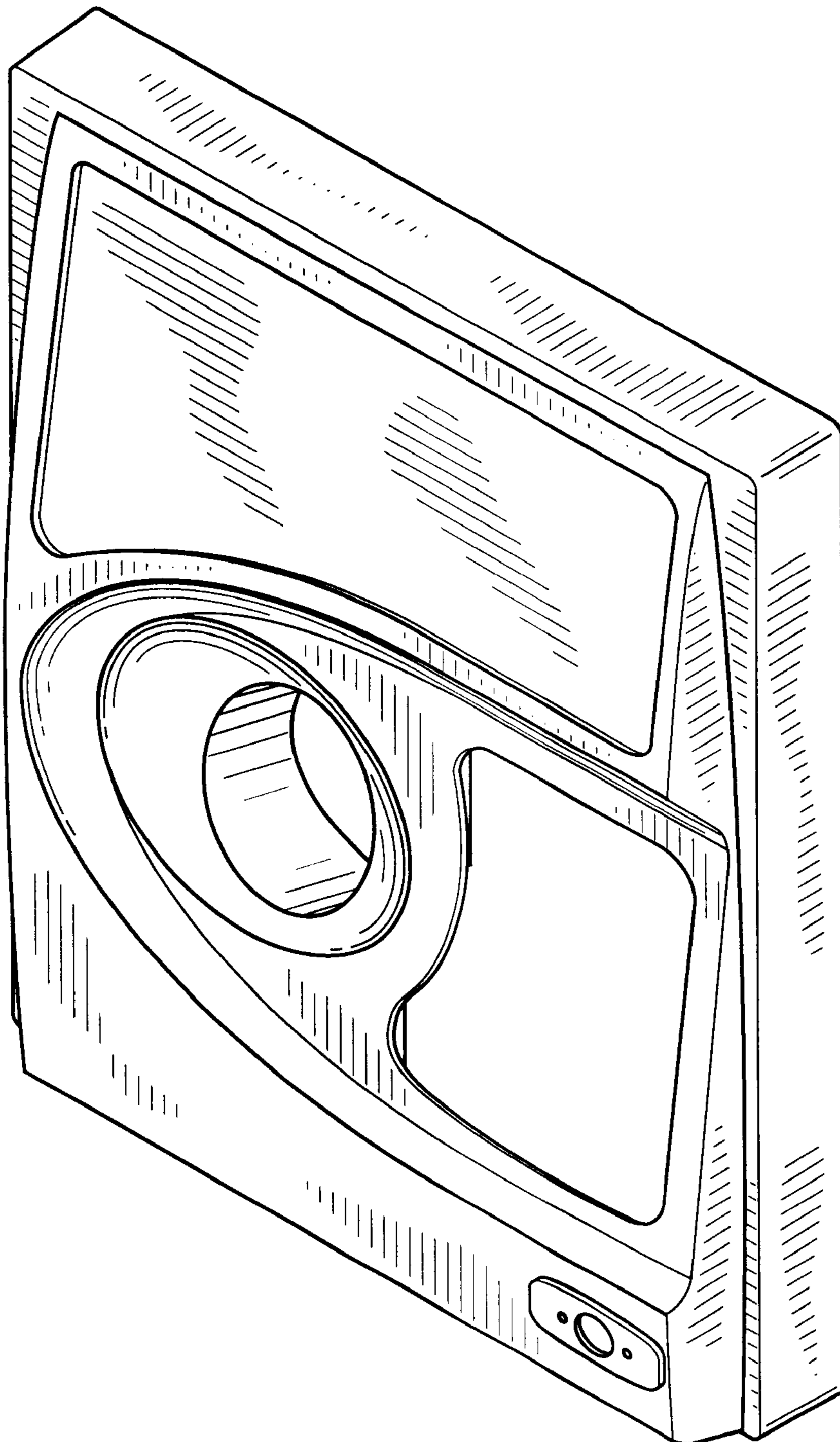


FIG. 3

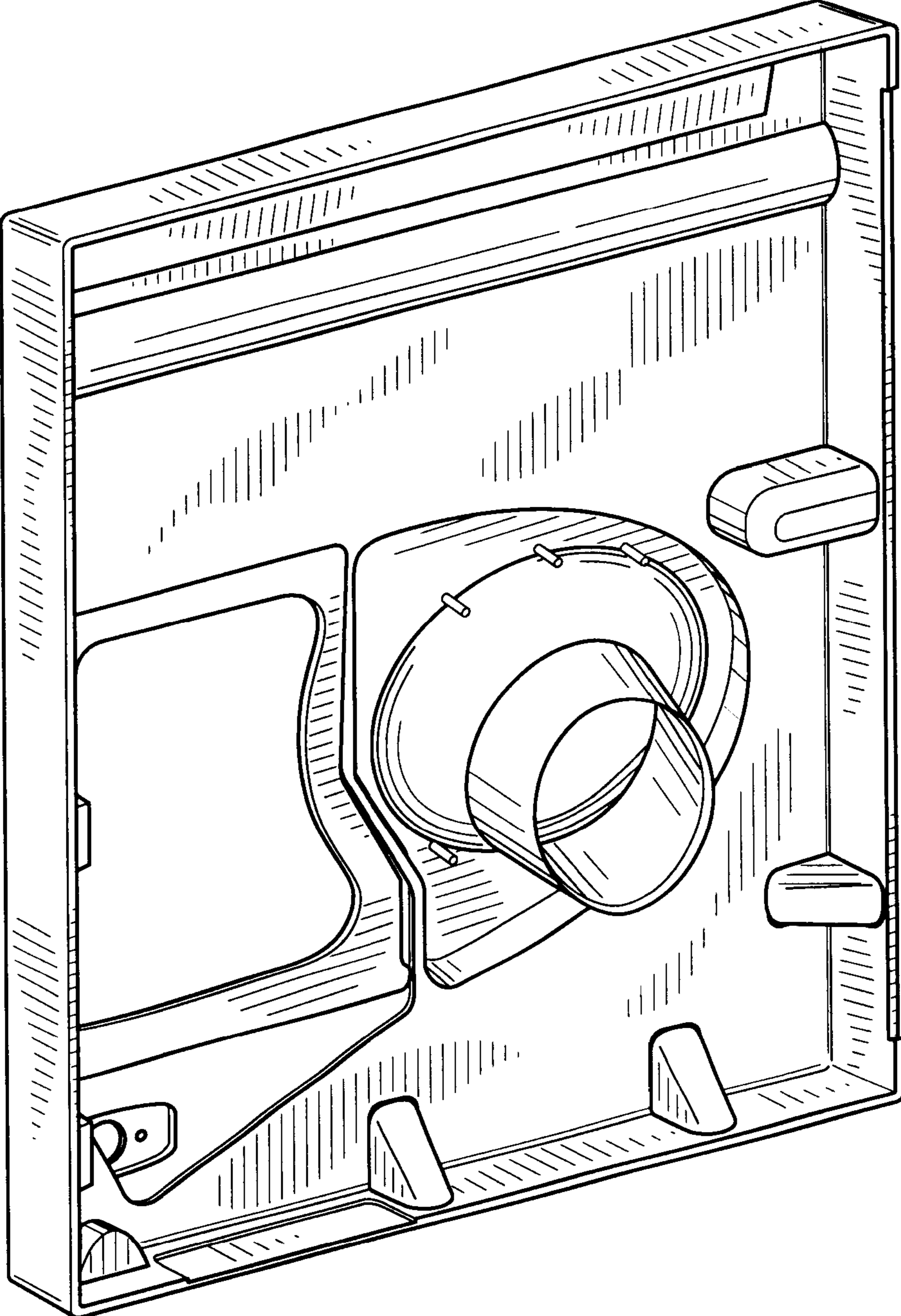


FIG. 4

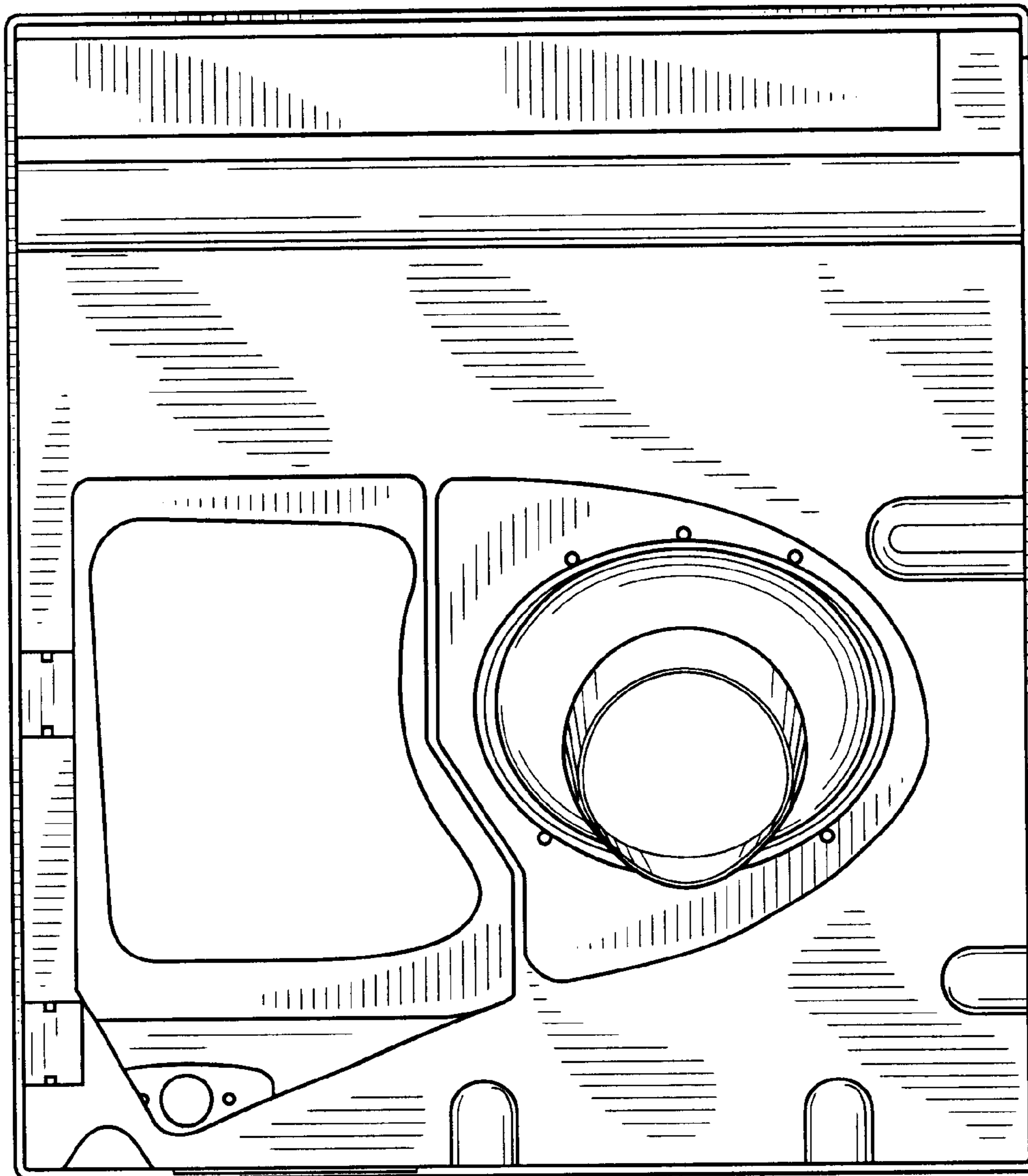


FIG. 5

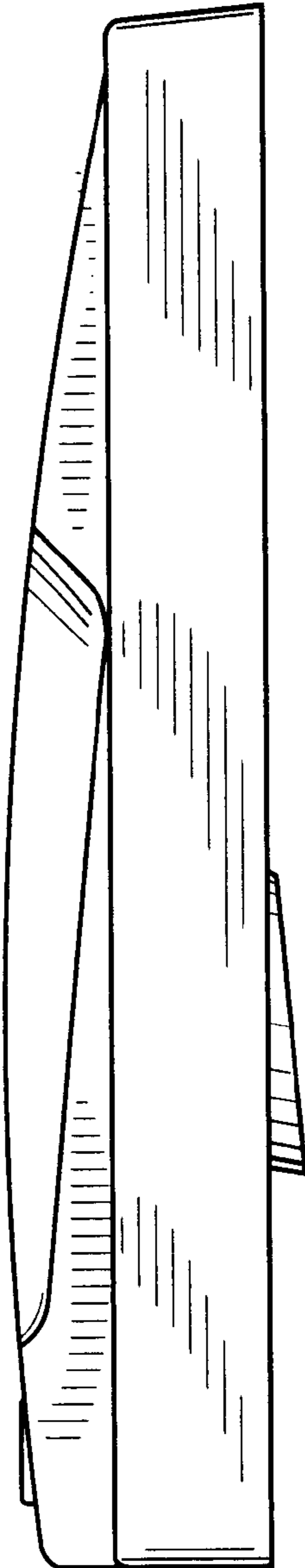


FIG. 6

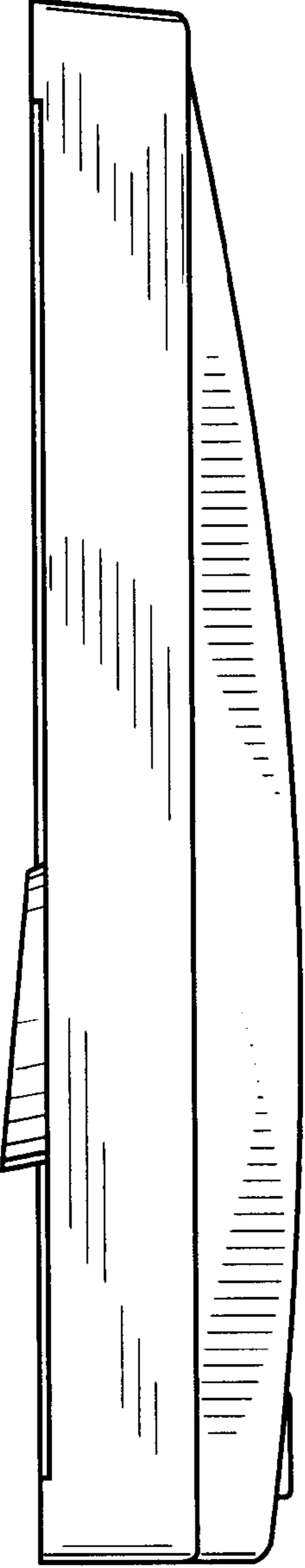


FIG. 7

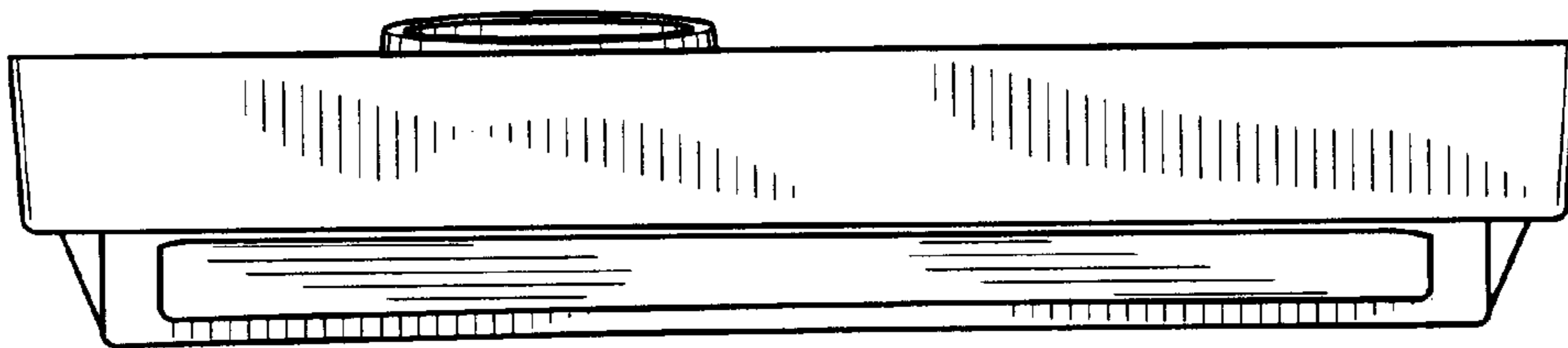


FIG. 8

