

US00D504157S

(12) **United States Design Patent**
Huang

(10) **Patent No.:** **US D504,157 S**

(45) **Date of Patent:** **** Apr. 19, 2005**

(54) **PAPER CLIP AND PEN HOLDER**

(76) Inventor: **Te-Ming Huang**, 1F, No. 6, Lane 43,
Shui-Yuan Road, Taipei (TW)

(**) Term: **14 Years**

(21) Appl. No.: **29/208,778**

(22) Filed: **Jul. 2, 2004**

(51) **LOC (7) Cl.** **19-06**

(52) **U.S. Cl.** **D19/75; D19/84; D19/90;**
D19/95

(58) **Field of Search** **D19/35, 36, 41-51,**
D19/53-58, 75, 77, 86, 78, 81-85, 95,
99, 100, 90, 91; 211/10, 11, 69.1-69.9;
248/441.1, 442.2, 450-453, 473, 910; 206/214,
224, 350, 371, 338, 340, 818; 221/212,
303, 312 C

(56) **References Cited**

U.S. PATENT DOCUMENTS

D184,031 S	*	12/1958	Steinberg	D19/84
D186,702 S	*	11/1959	Bunn	D19/84
D191,339 S	*	9/1961	Hose et al.	D19/84
D222,729 S	*	12/1971	Enseki et al.	D19/84
D254,859 S	*	4/1980	Grunstad	D19/75
D278,641 S	*	4/1985	Henkels	D19/77
D282,380 S	*	1/1986	King	D19/75

D308,892 S	*	6/1990	Dahle	D19/75
5,205,407 A	*	4/1993	Tu	206/338
D451,962 S	*	12/2001	Thornton	D19/78
D478,353 S	*	8/2003	Huang	D19/75
D478,629 S	*	8/2003	Hsu	D19/75

* cited by examiner

Primary Examiner—Martie K. Holtje

(57) **CLAIM**

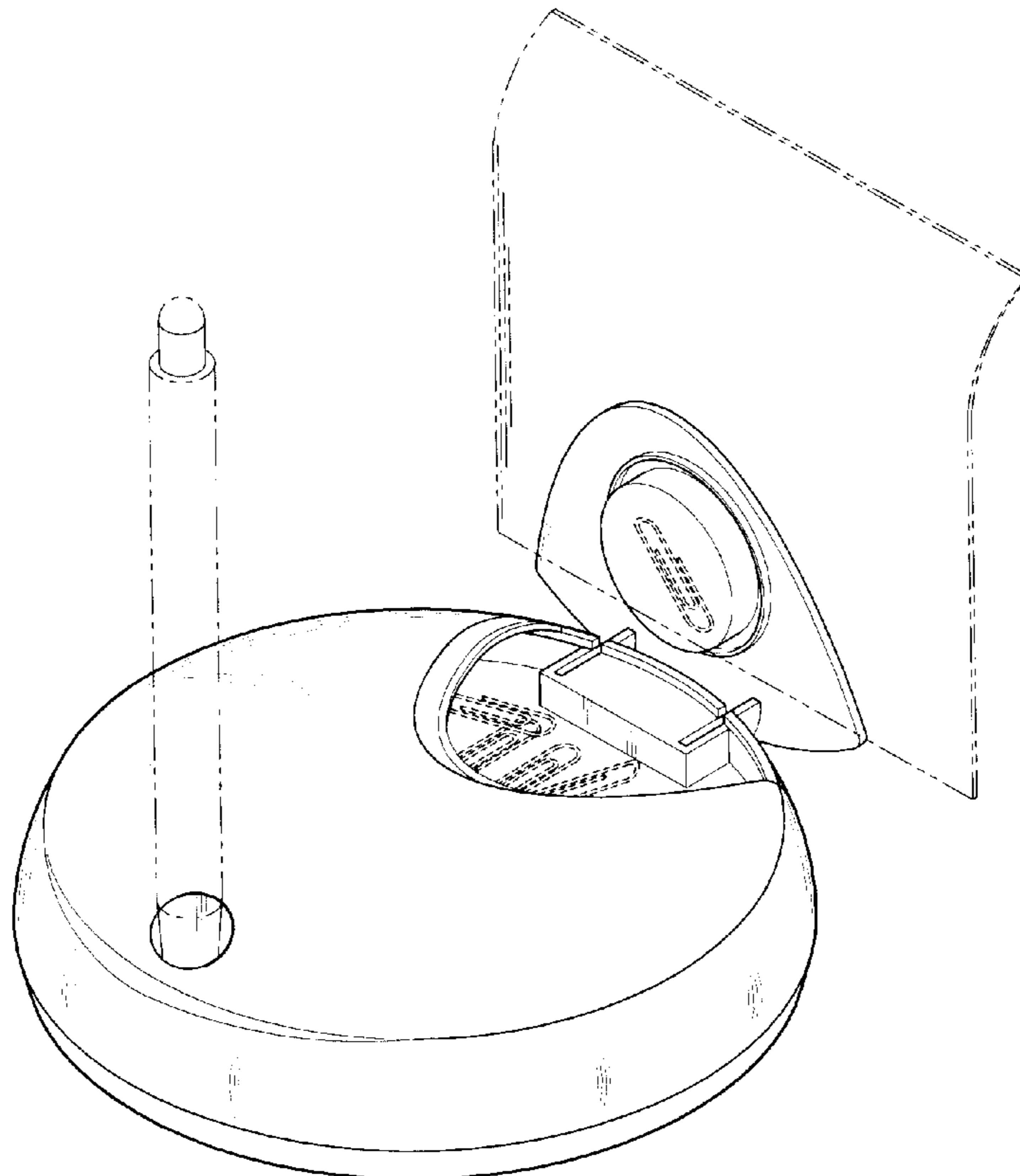
The ornamental design for paper clip and pen holder, as shown and described.

DESCRIPTION

FIG. 1 is a perspective view of paper clip and pen holder showing my new design;
 FIG. 2 is a front elevational view thereof;
 FIG. 3 is a rear elevational view thereof;
 FIG. 4 is a left side elevational view thereof;
 FIG. 5 is right side elevational view thereof;
 FIG. 6 is a top view thereof;
 FIG. 7 is a bottom view thereof;
 FIG. 8 is a second perspective view thereof; and,
 FIG. 9 is a third perspective view thereof.

The paper clips in FIG. 8 and the paper clips, pen and paper in FIG. 9 depicted by means of broken lines have been shown for illustrative purposes only and form no part of the claimed design.

1 Claim, 9 Drawing Sheets



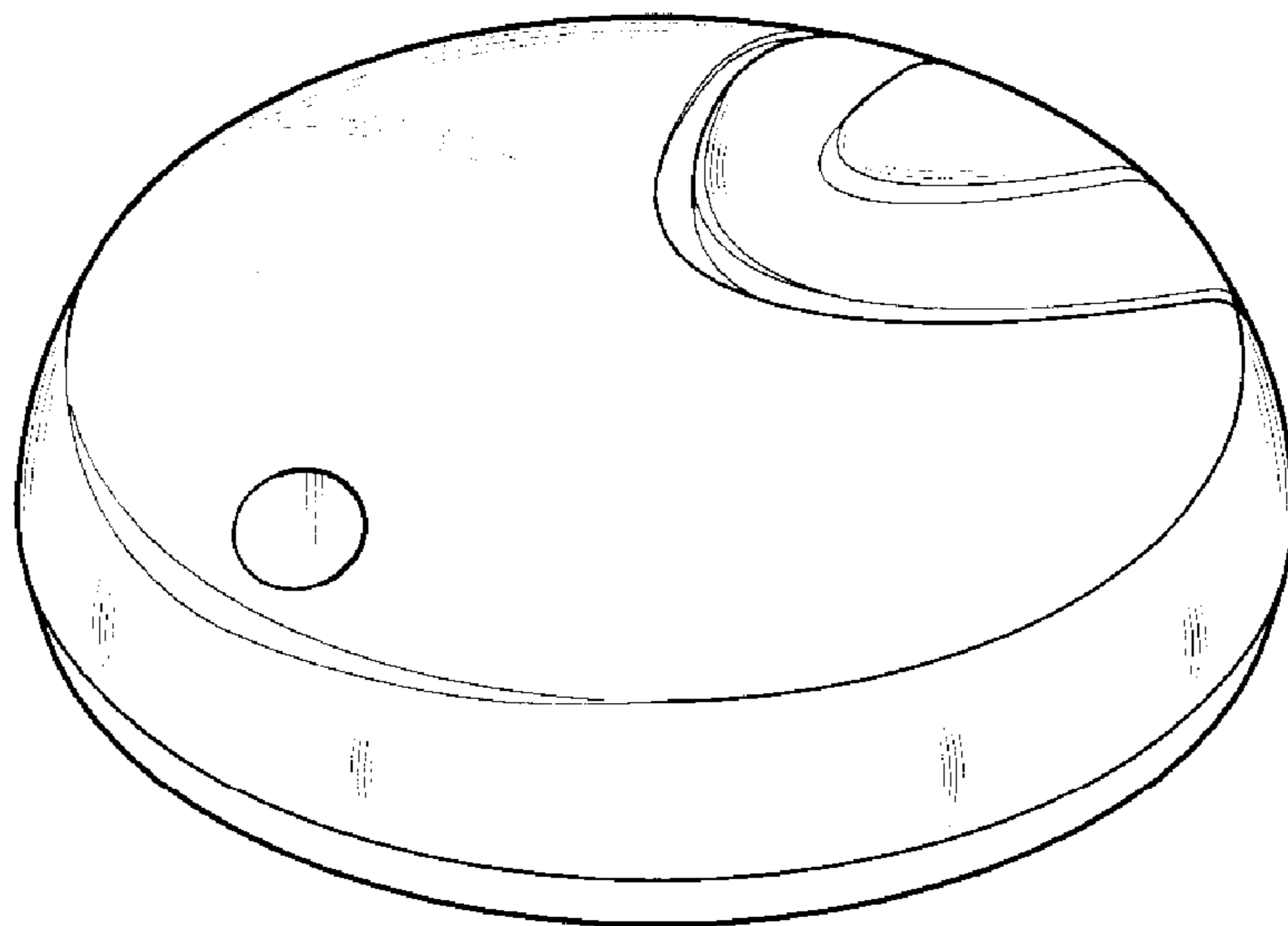


FIG. 1

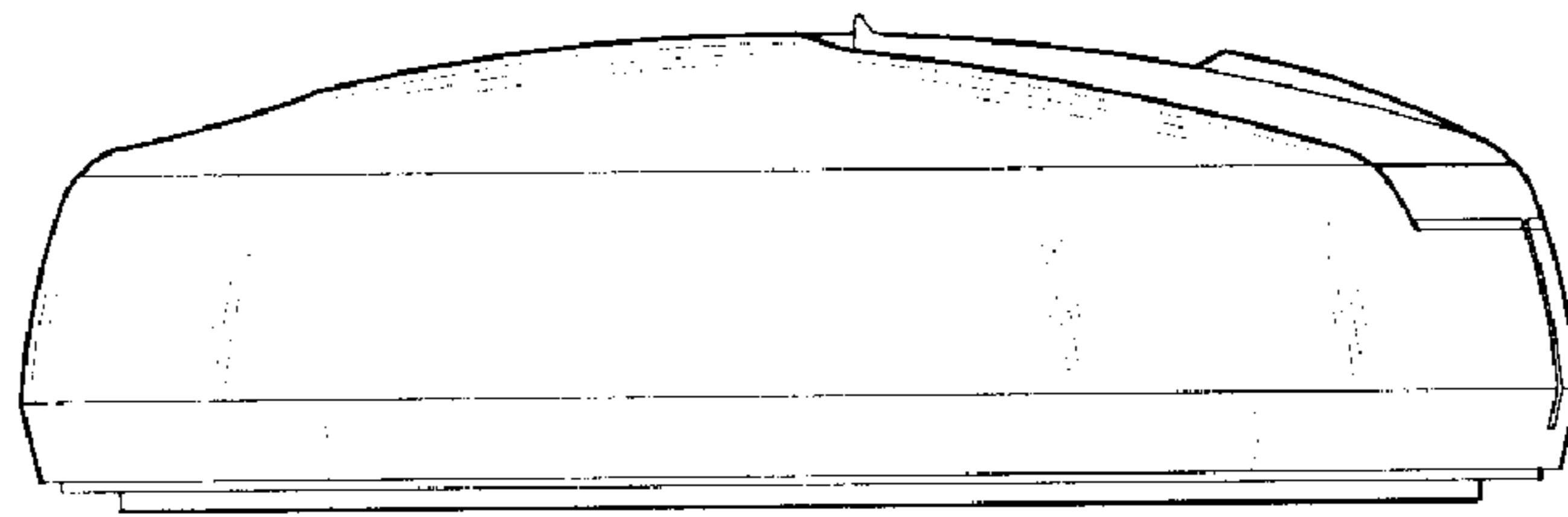


FIG. 2

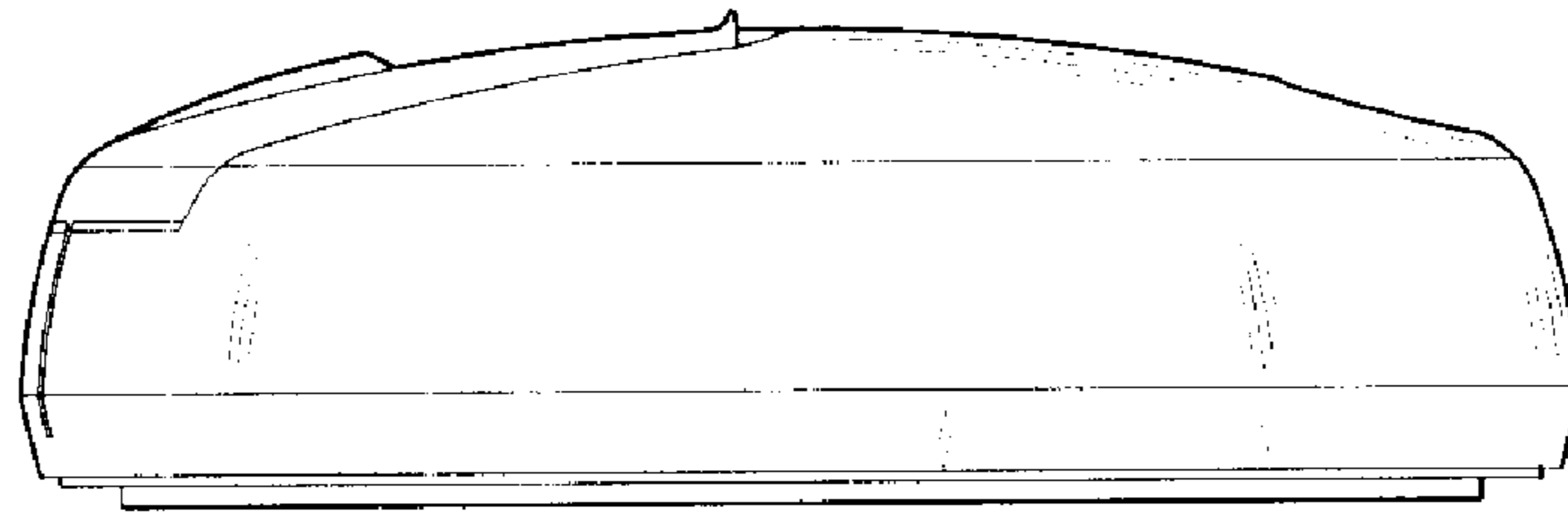


FIG. 3

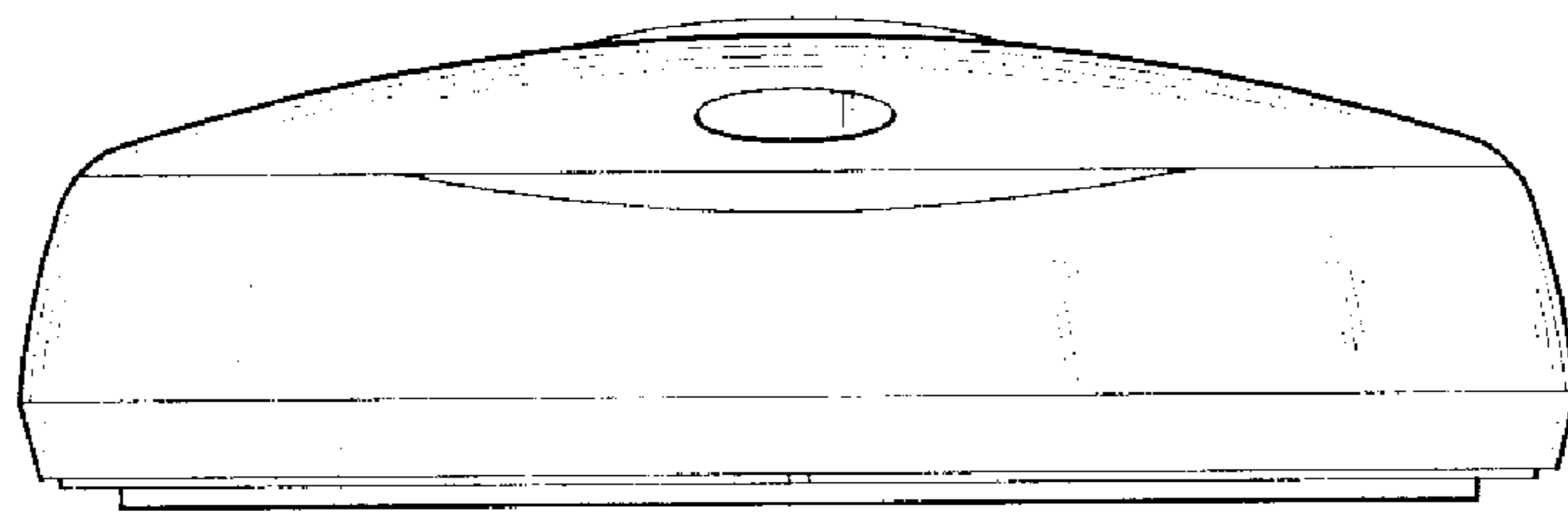


FIG. 4

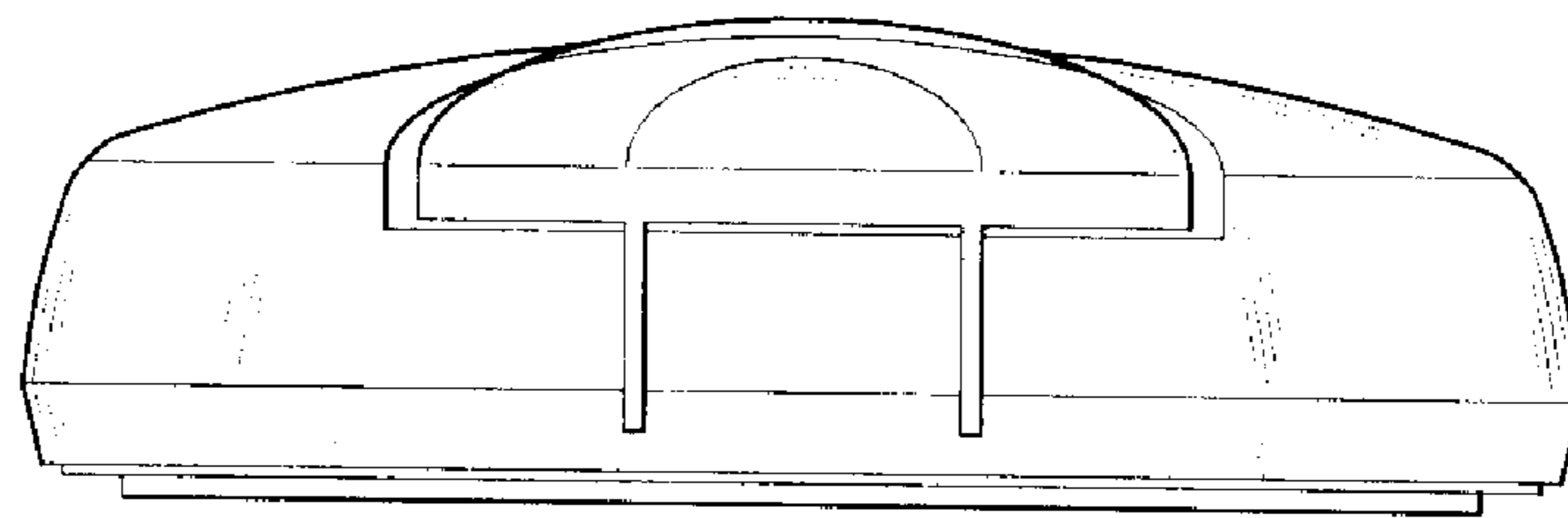


FIG. 5

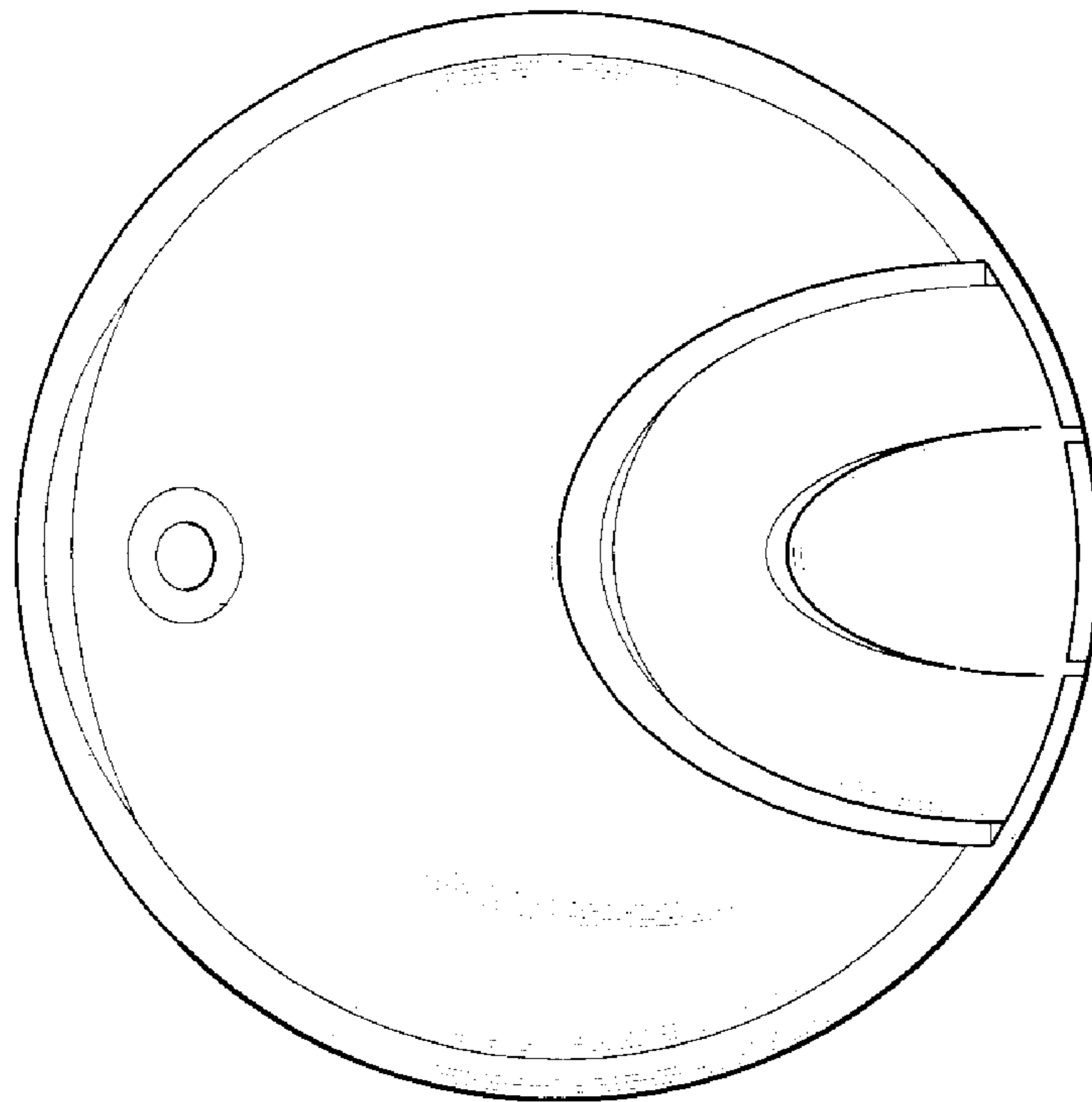


FIG. 6

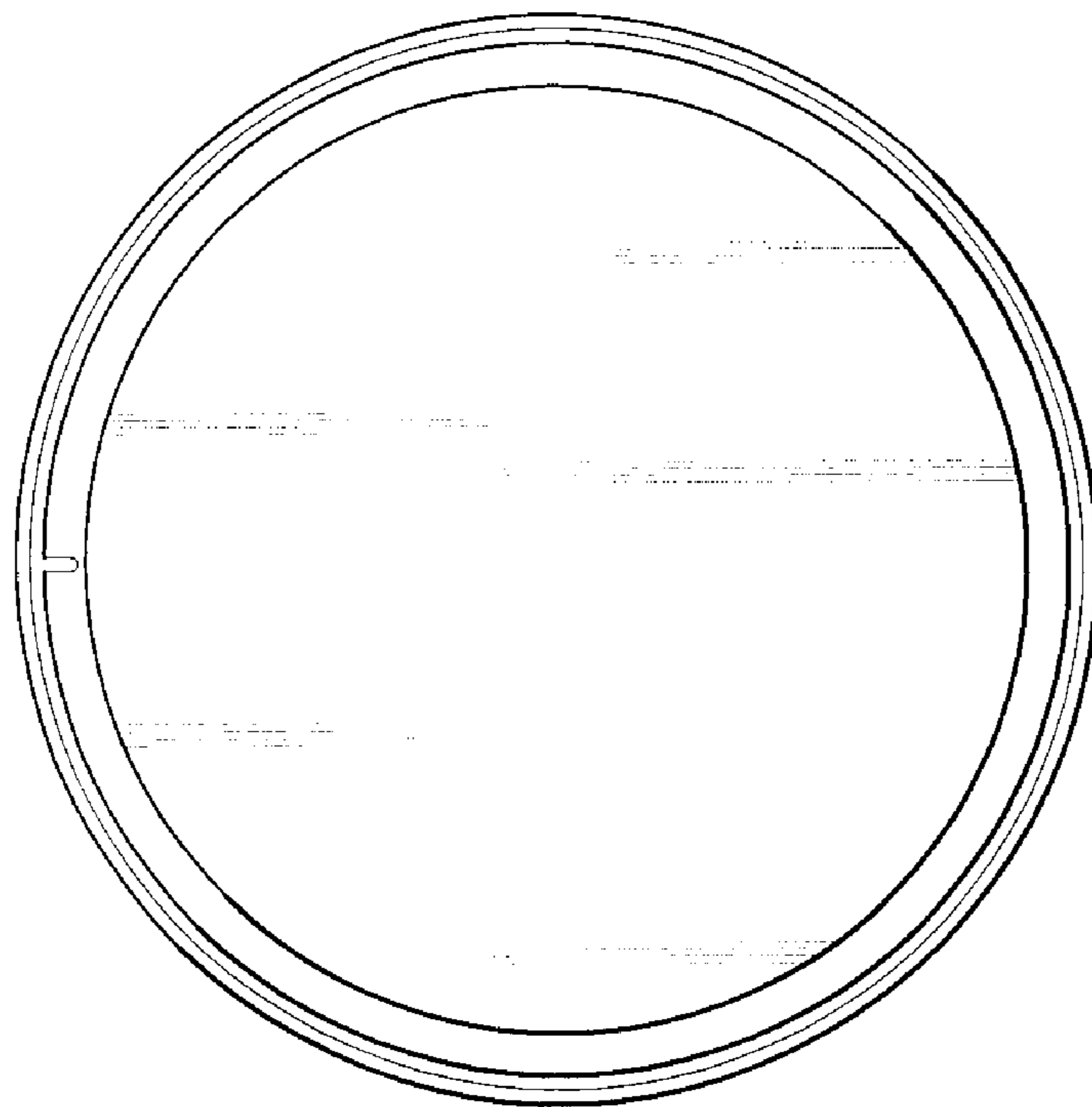


FIG. 7

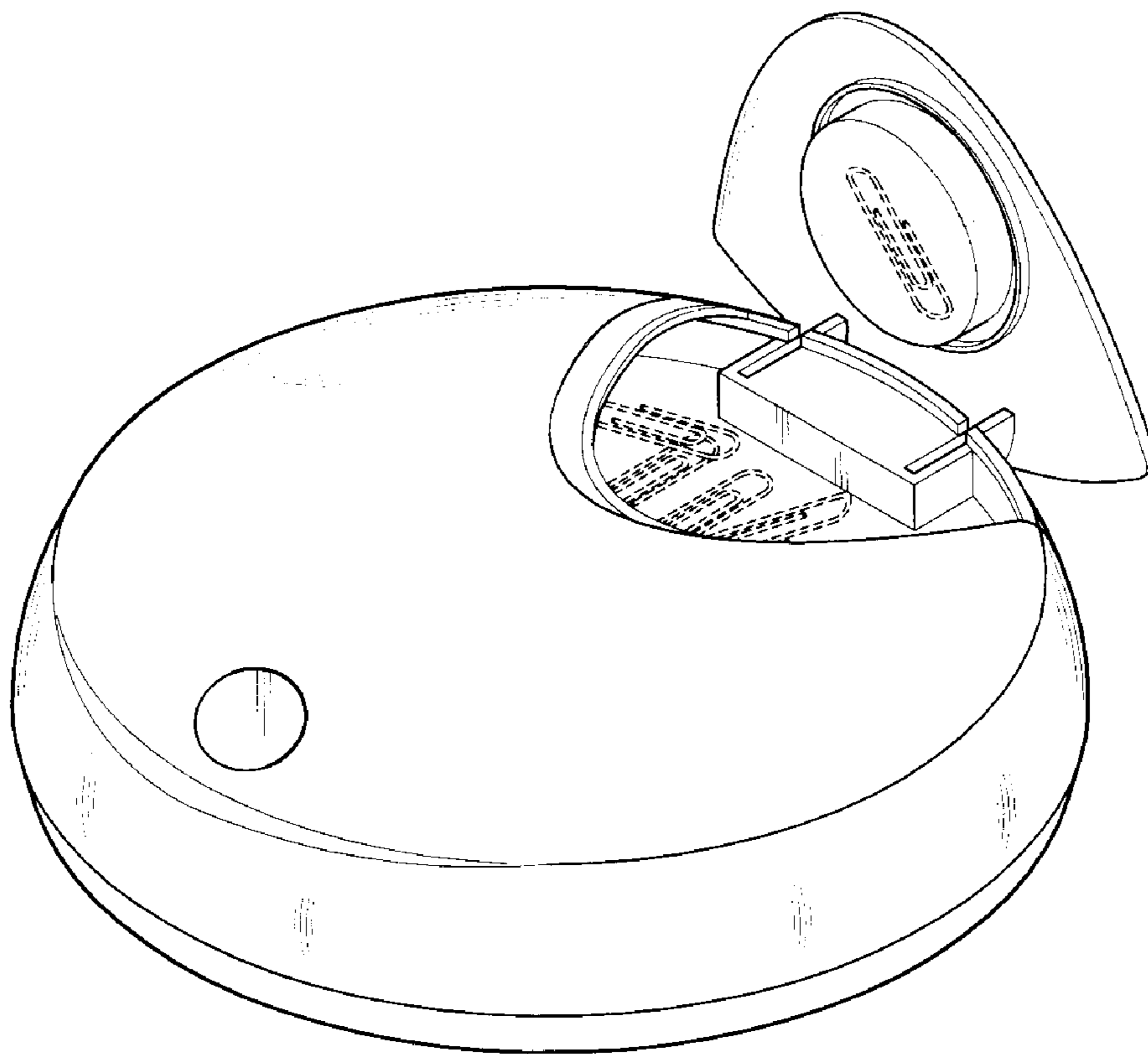


FIG. 8

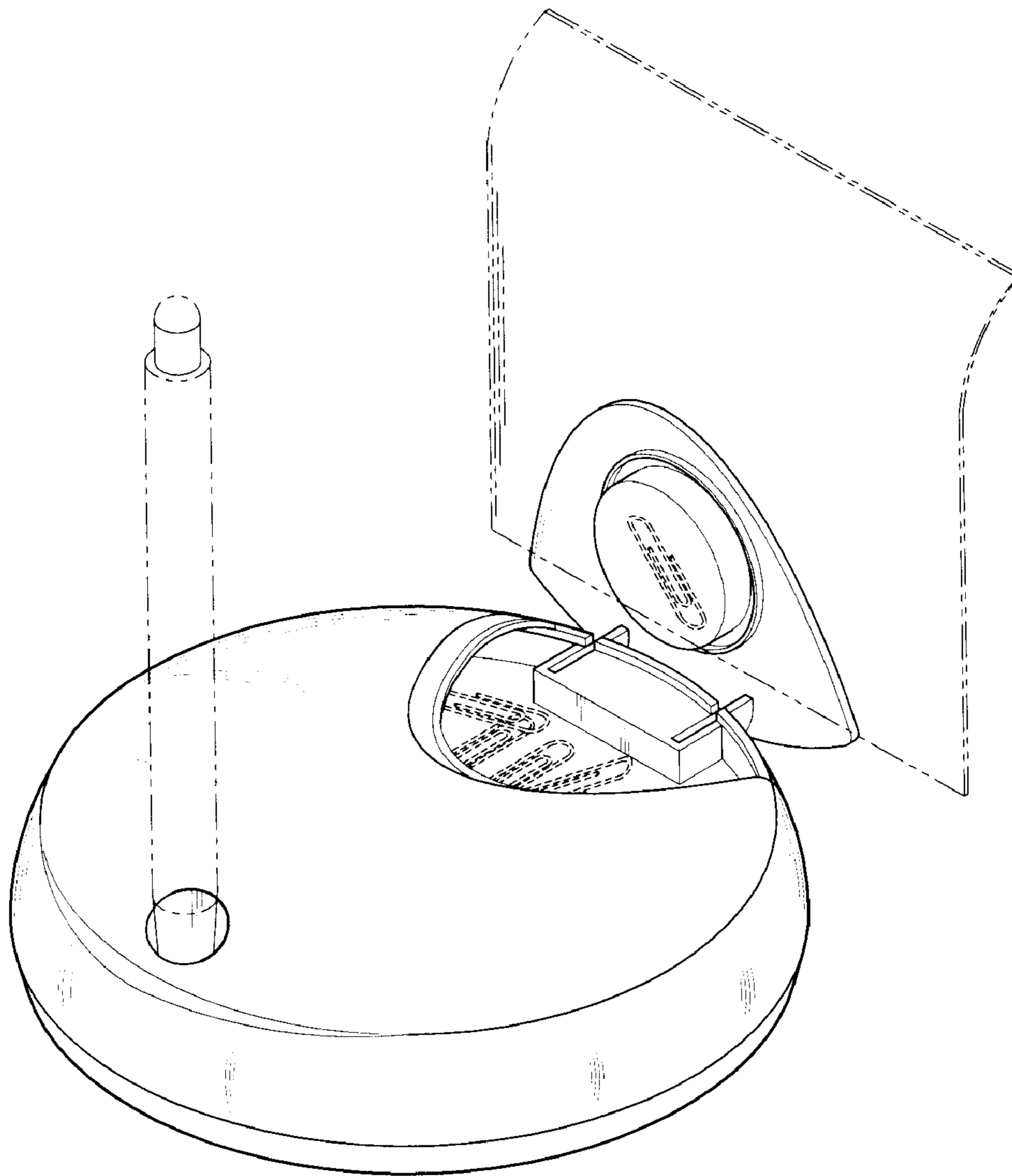


FIG. 9