



US00D504156S

(12) **United States Design Patent**
Galotti et al.

(10) **Patent No.:** **US D504,156 S**
(45) **Date of Patent:** **** Apr. 19, 2005**

(54) **PENCIL SHARPENER**

(75) Inventors: **Christine Galotti**, North Haven, CT (US); **William D. Hester**, Meriden, CT (US); **Michael Kent**, Cumberland, RI (US); **Tim Koletsos**, Shelton, CT (US)

(73) Assignee: **Societe Bic** (FR)

(**) Term: **14 Years**

(21) Appl. No.: **29/190,541**

(22) Filed: **Sep. 18, 2003**

(51) **LOC (7) Cl.** **19-06**

(52) **U.S. Cl.** **D19/73; D19/82; D19/97**

(58) **Field of Search** D19/35, 36, 65, D19/73, 74, 75, 82, 97, 99, 100; 144/28.1, 28.11, 28.2-28.7, 30; 30/451-453, 459; D29/102-110; 2/424

(56) **References Cited**

U.S. PATENT DOCUMENTS

D193,457 S	*	8/1962	Fleming	D19/73
3,980,113 A	*	9/1976	Birdsall	144/28.6
4,519,099 A	*	5/1985	Kamiya et al.	2/424
5,161,261 A	*	11/1992	Kamata	2/424
D340,319 S	*	10/1993	Kamata	D29/105

D353,026 S	*	11/1994	Kamata	D29/105
D355,731 S	*	2/1995	Gingras	D29/102
D388,828 S	*	1/1998	Robinson et al.	D19/73
D430,214 S	*	8/2000	Palmer	D19/75

* cited by examiner

Primary Examiner—Martie K. Holtje

(74) *Attorney, Agent, or Firm*—Jones Day

(57) **CLAIM**

The ornamental design for a pencil sharpener, as shown and described.

DESCRIPTION

FIG. 1 is a front, right, and top perspective view of an ornamental design for a pencil sharpener according to the present invention;

FIG. 2 is a front elevational view thereof;

FIG. 3 is a back elevational view thereof;

FIG. 4 is a right side elevational view thereof;

FIG. 5 is a left side elevational view thereof;

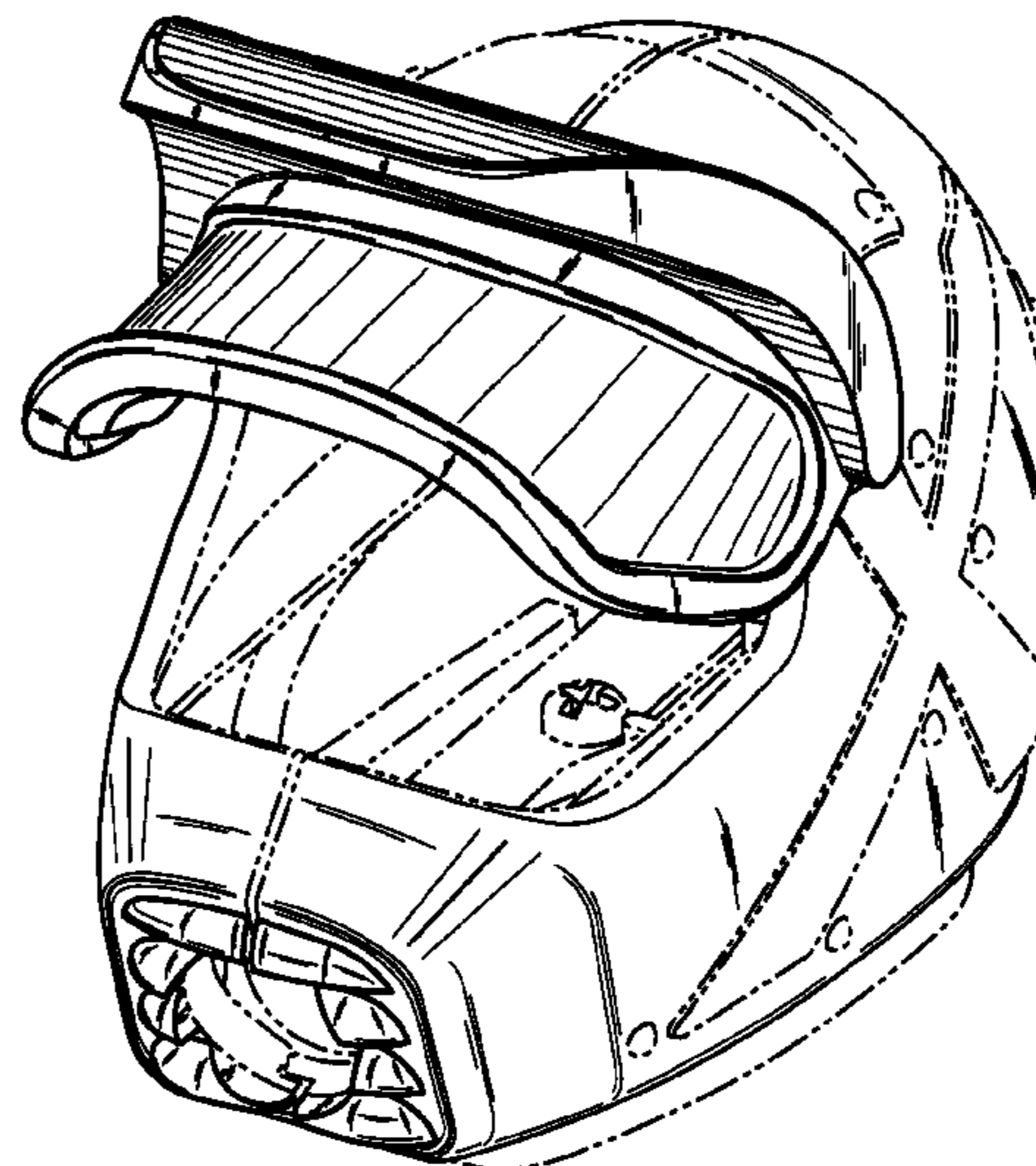
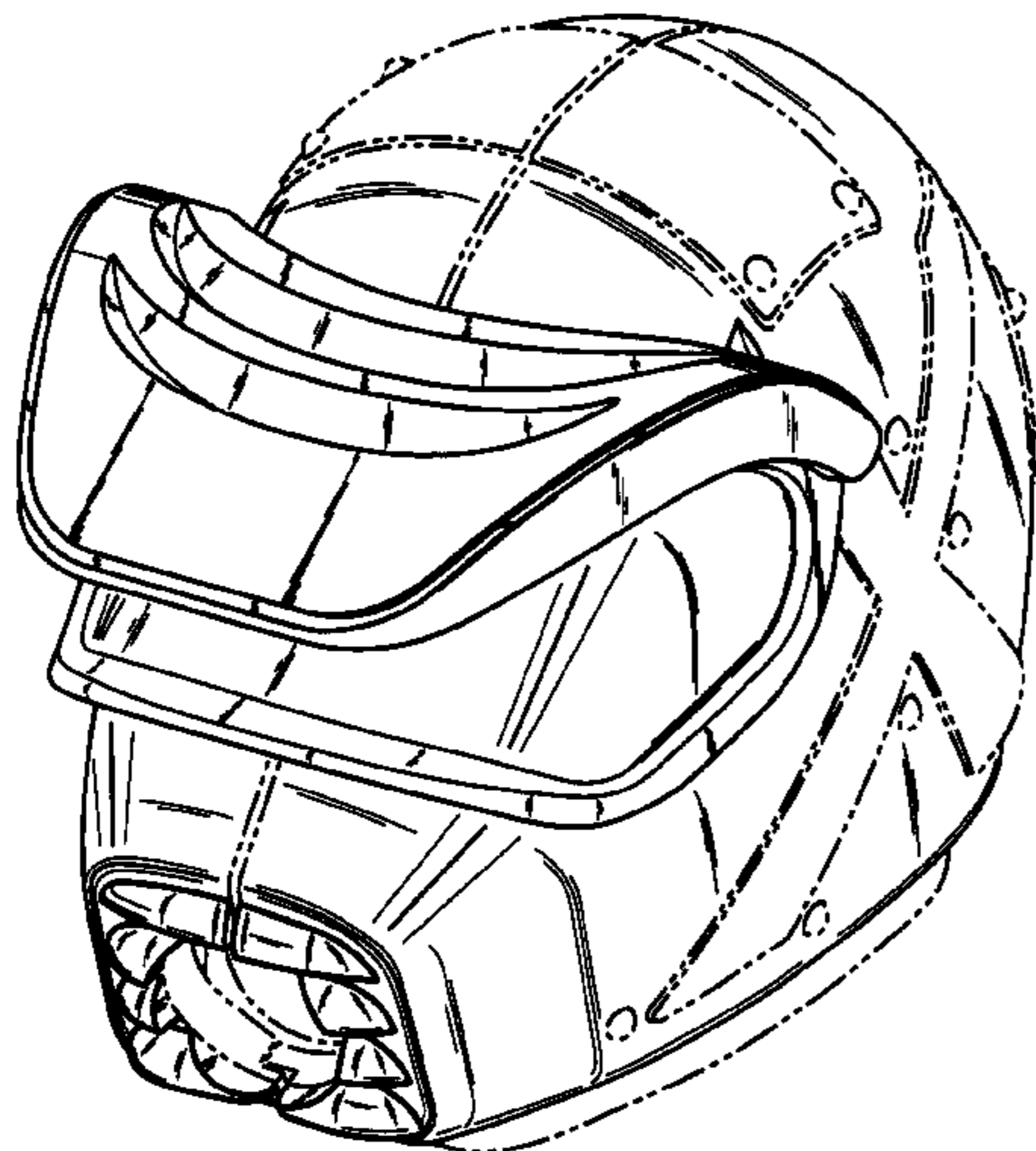
FIG. 6 is a top plan view thereof;

FIG. 7 is a bottom plan view thereof; and,

FIG. 8 is a front, right side perspective thereof, with the visor in the lifted position.

All portions shown in broken lines are environmental and illustrative only and form no part of the claimed design.

1 Claim, 8 Drawing Sheets



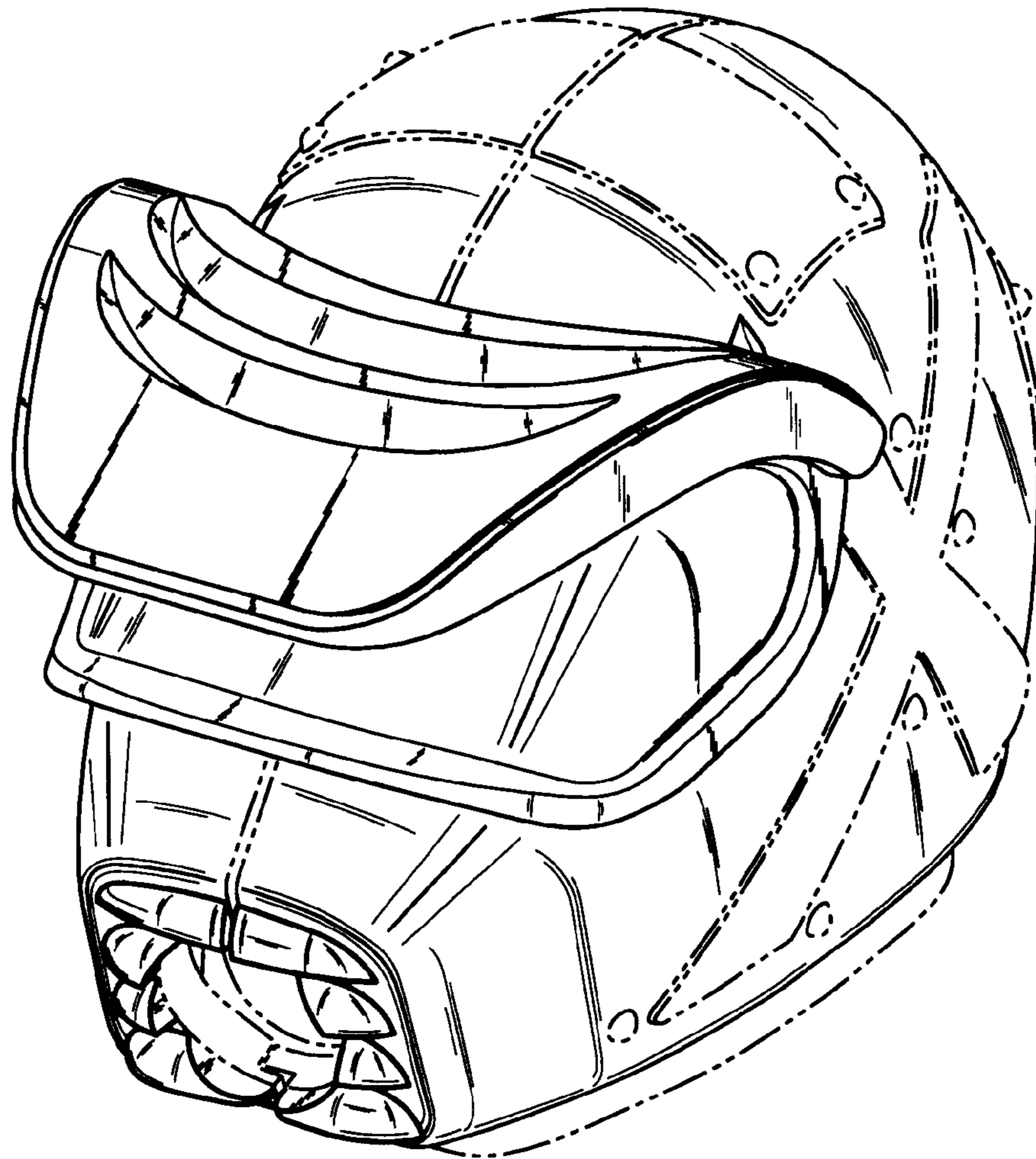


Fig. 1

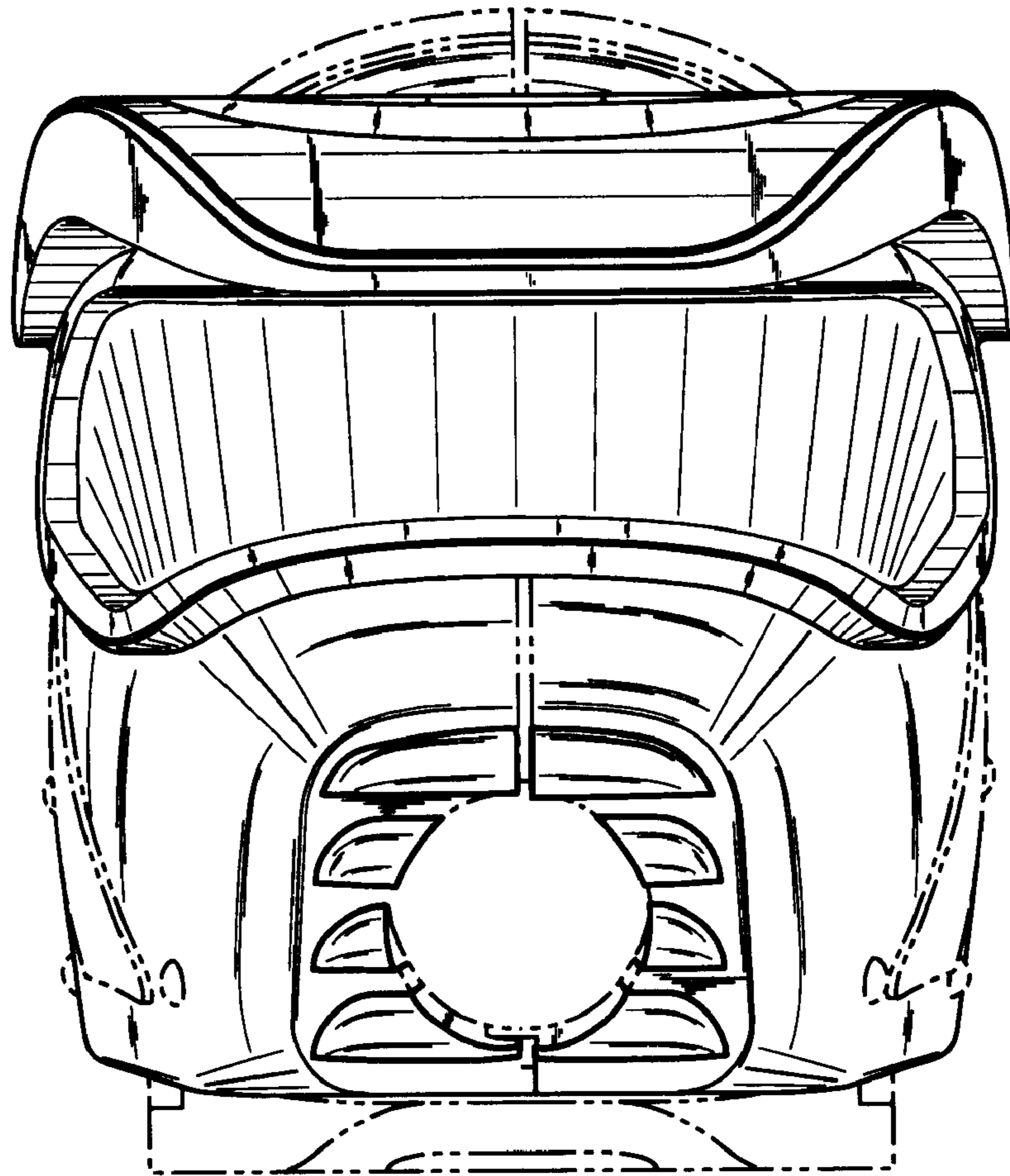


Fig. 2

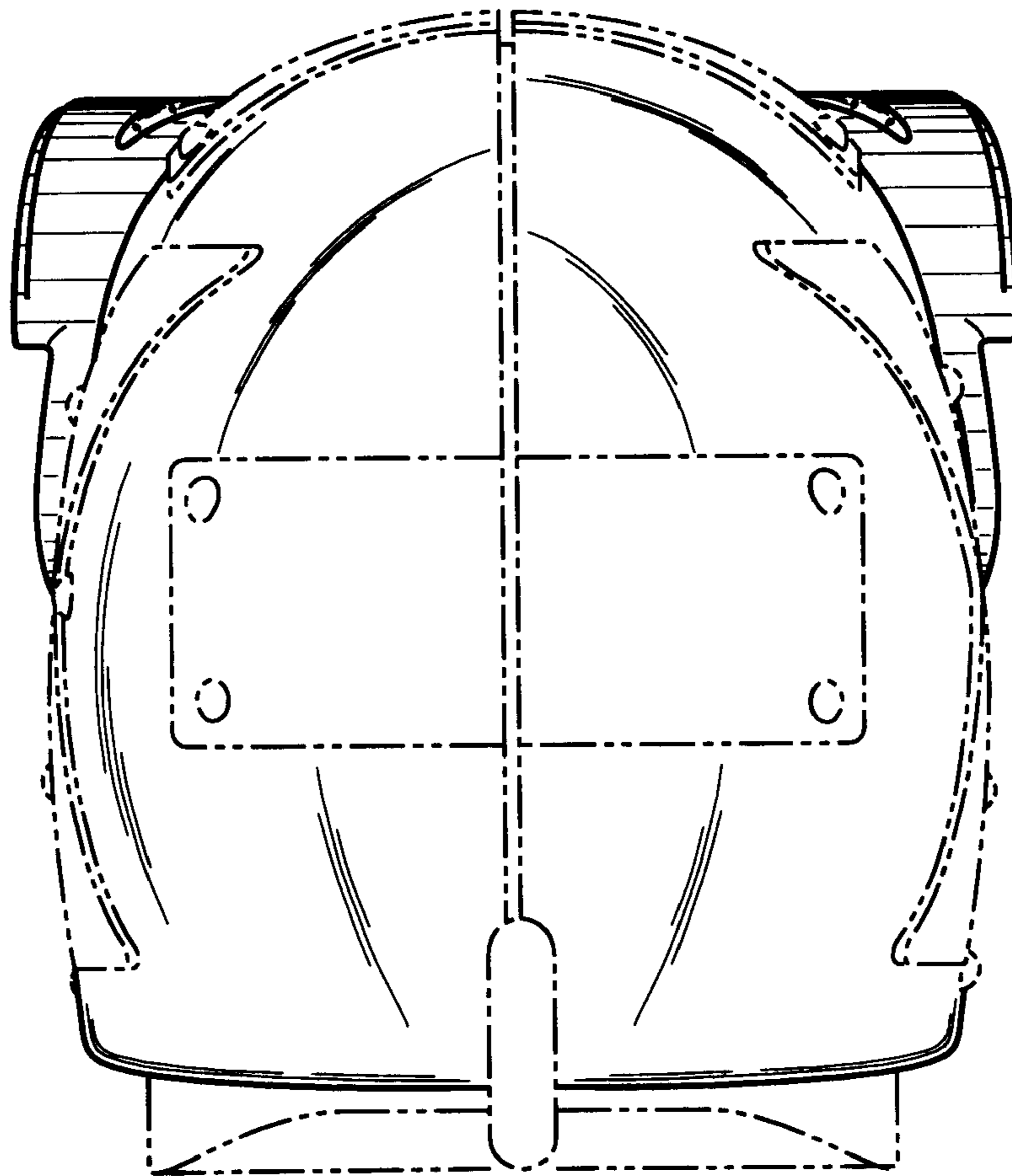


Fig. 3

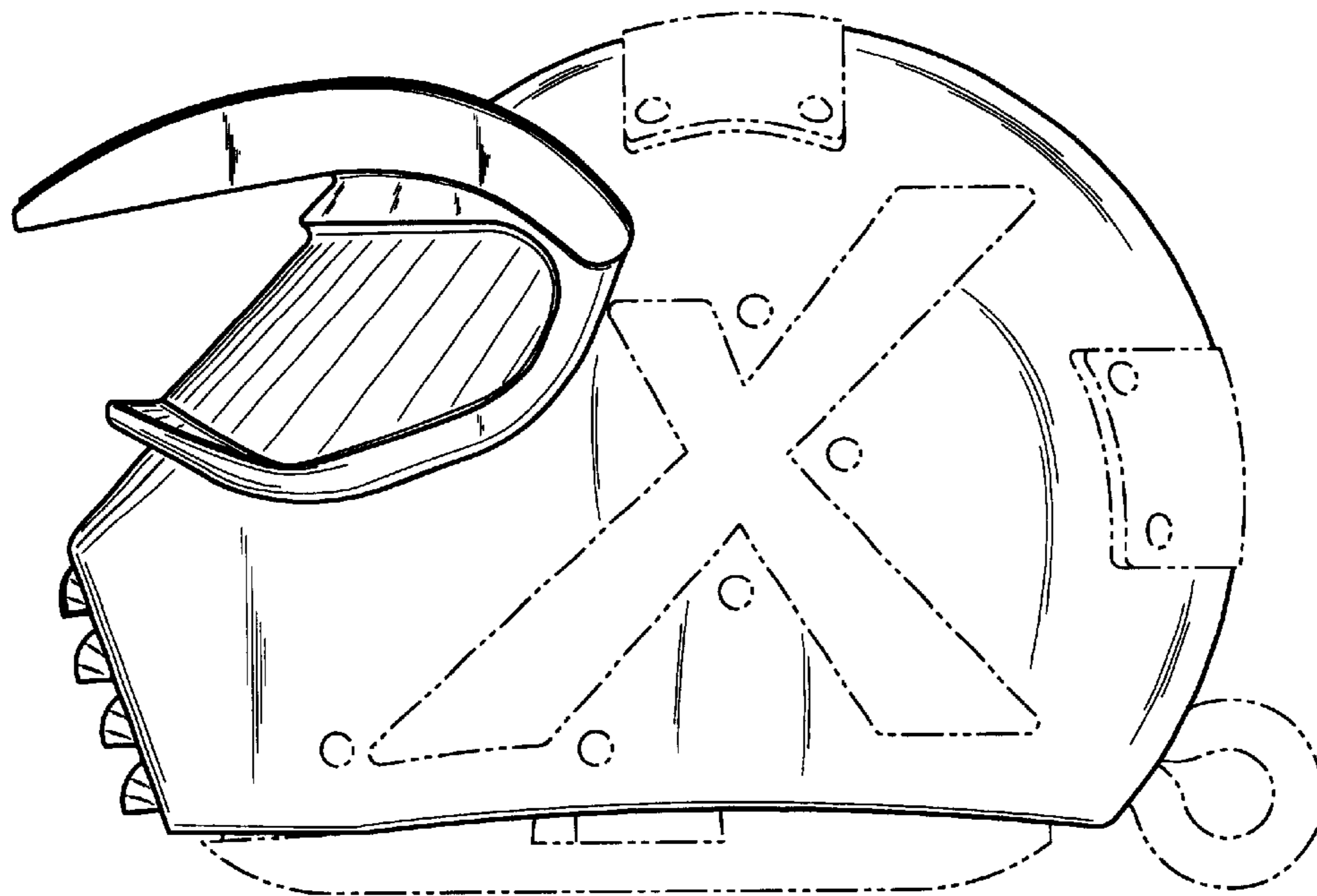


Fig. 4

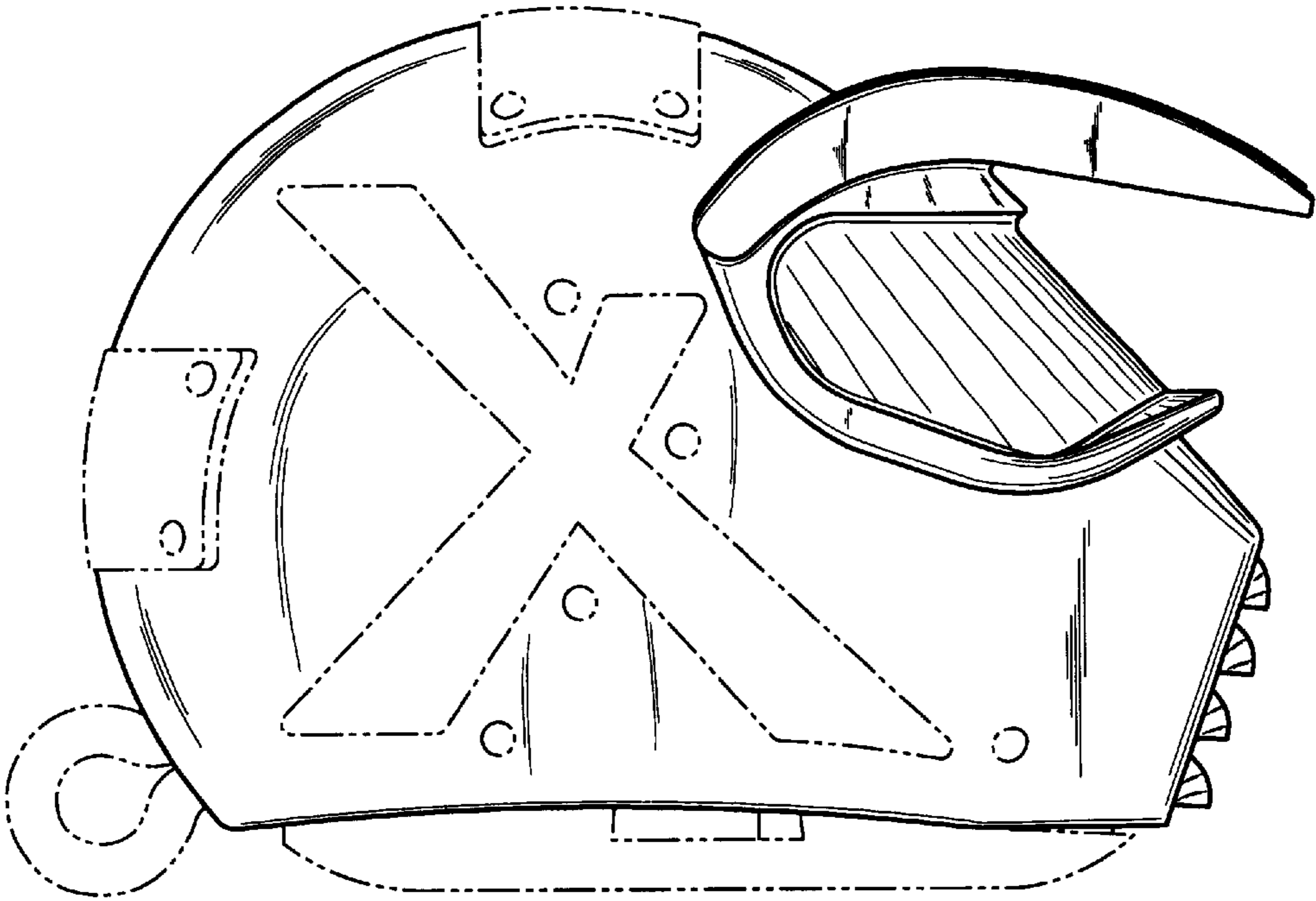


Fig. 5

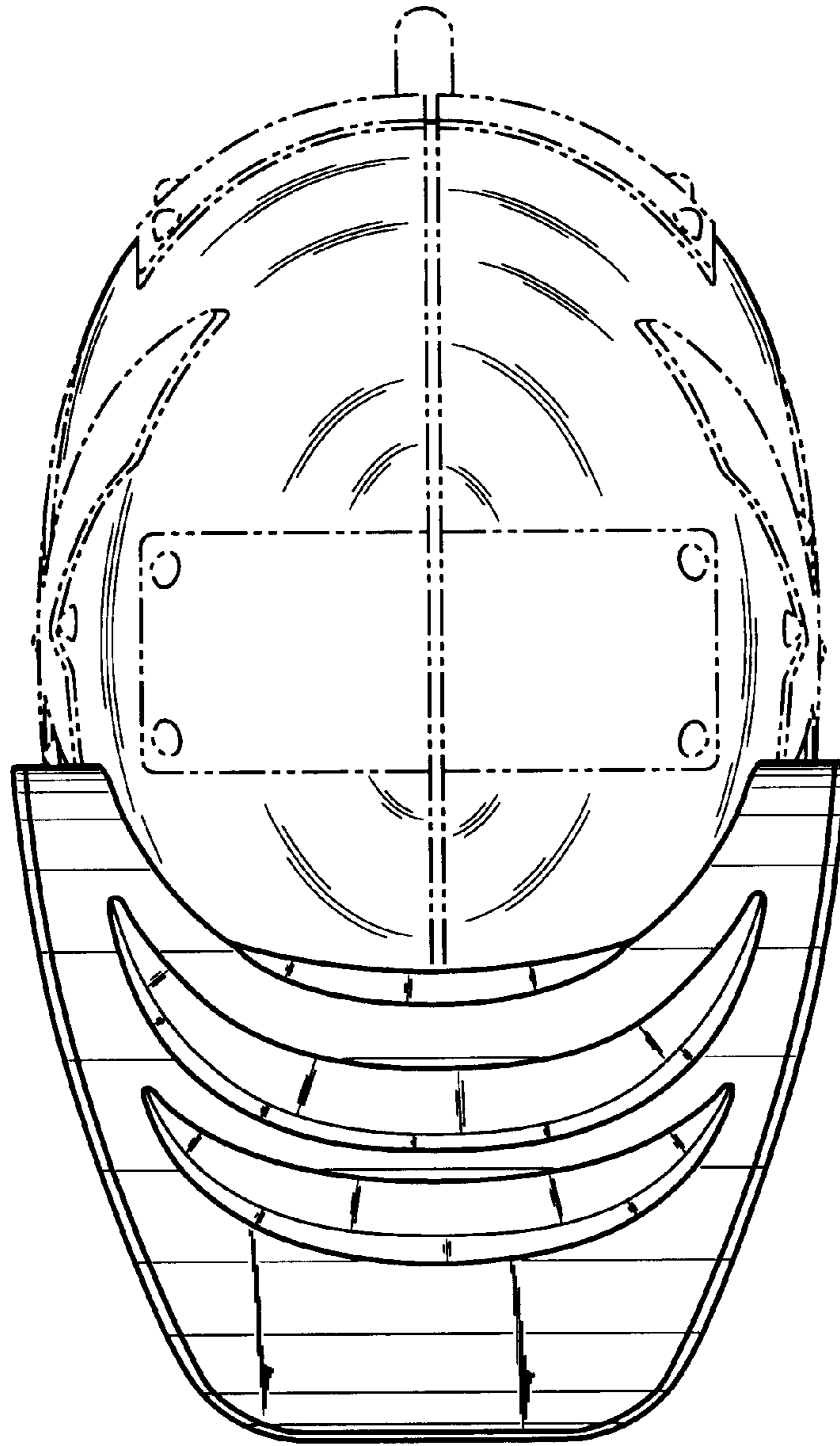


Fig. 6

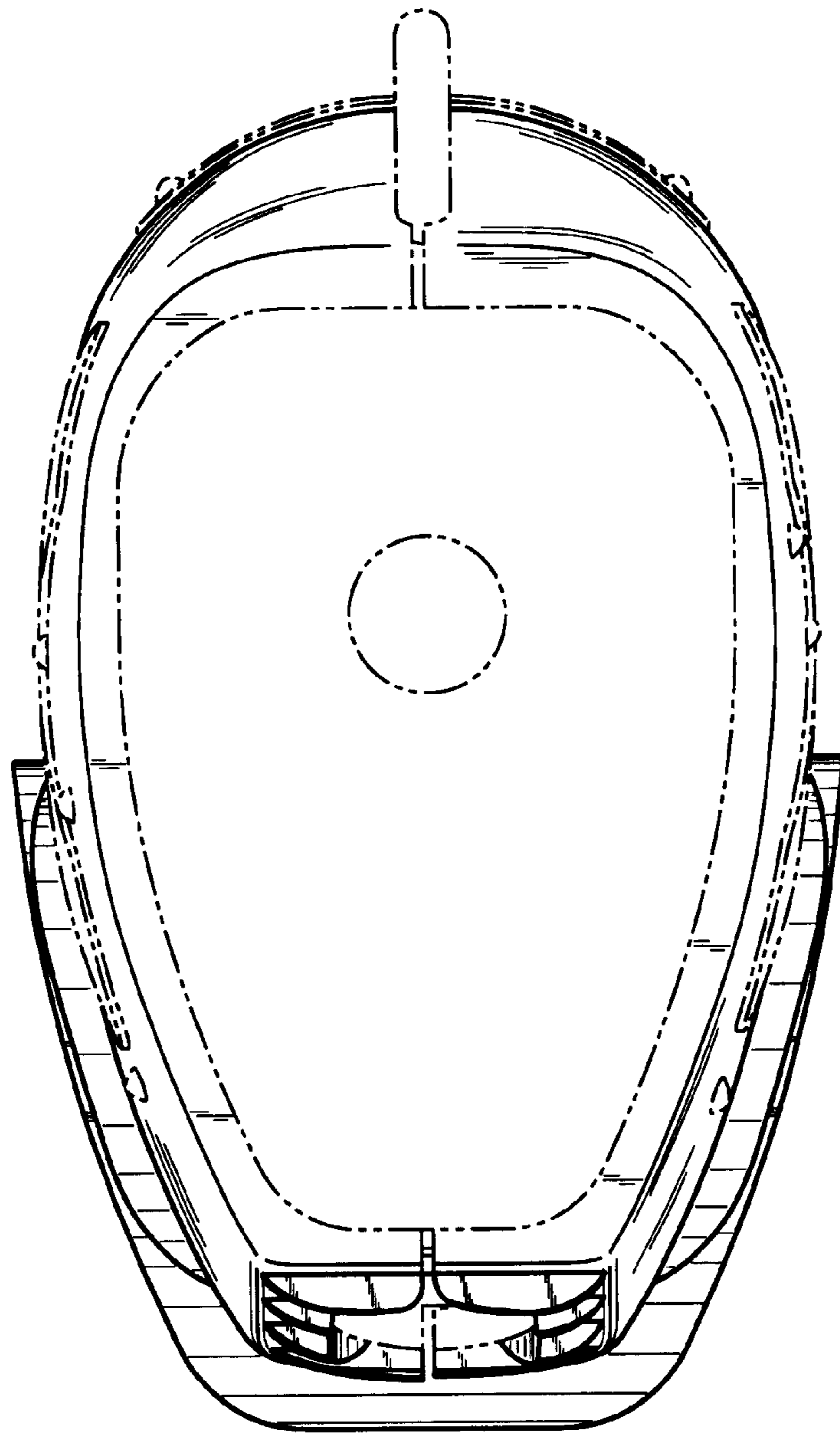


Fig. 7

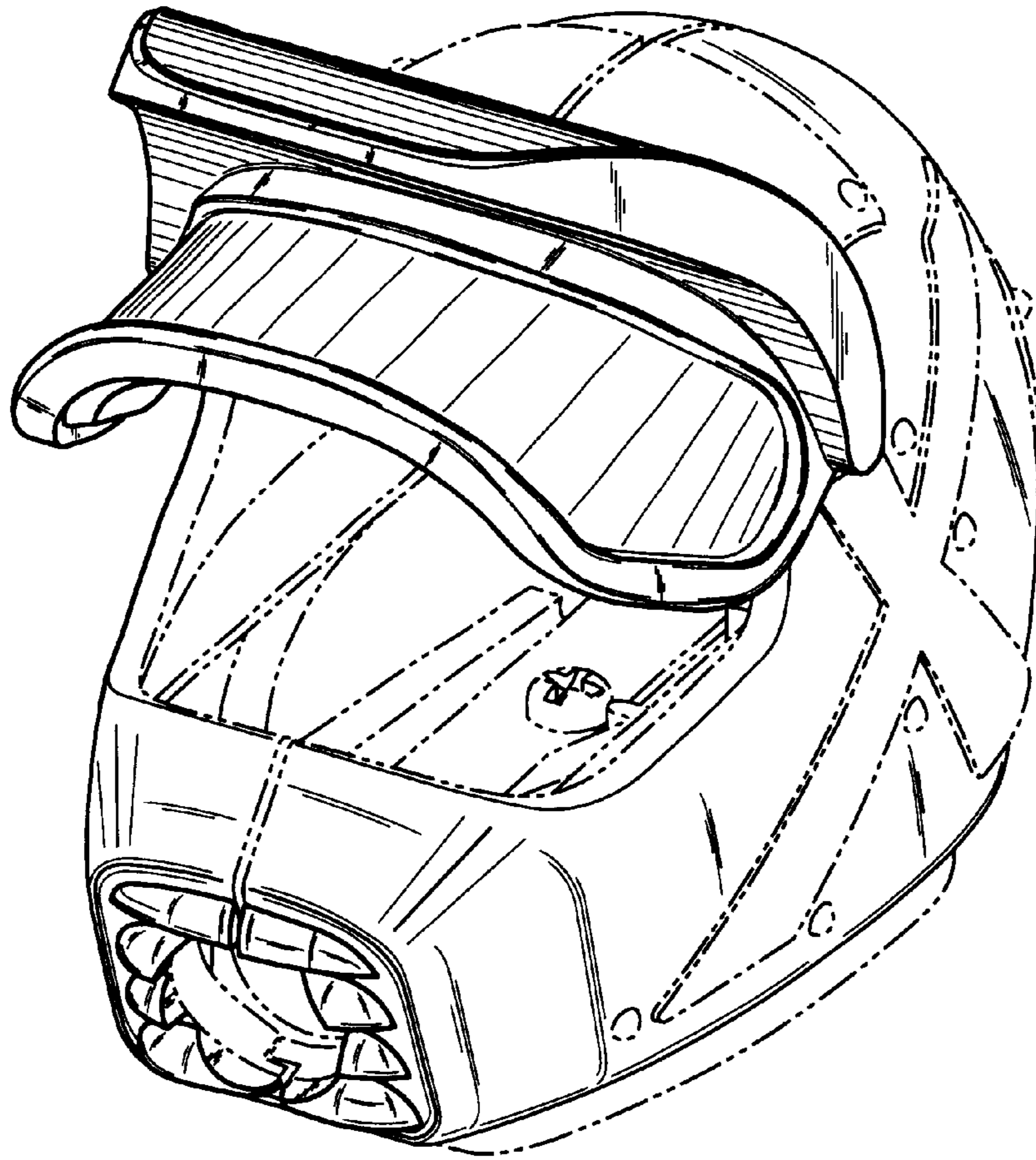


Fig. 8