

US00D504155S

(12) **United States Design Patent**
Crawford et al.

(10) **Patent No.: US D504,155 S**

(45) **Date of Patent: ** *Apr. 19, 2005**

(54) **DUAL ROLL DESKTOP TAPE DISPENSER**

JP	08040632	2/1996
JP	2000095425	4/2000
JP	2000095426	4/2000
JP	2000211800	8/2000

(75) Inventors: **Dennis L. Crawford**, Roberts, WI (US); **Bruce W. Carlson**, Minneapolis, MN (US); **Arthur V. Lang**, Maplewood, MN (US)

OTHER PUBLICATIONS

(73) Assignee: **3M Innovative Properties Company**, St. Paul, MN (US)

“Welcome to Glory Formosa Co., Ltd.,” Website publication, www.tapedispensers.com, printed Apr. 6, 2004, pp. 1–2.

(*) Notice: This patent is subject to a terminal disclaimer.

U.S. Patent entitled “Desktop Tape Dispenser”, filed Oct. 15, 2003, having U.S. Appl. No. D–29/191,904.

(**) Term: **14 Years**

U.S. Patent entitled “Desktop Tape Dispenser”, filed Oct. 15, 2003, having U.S. Appl. No. D–29/191,885.

(21) Appl. No.: **29/203,425**

Primary Examiner—Martie K. Holtje

(22) Filed: **Apr. 14, 2004**

(74) *Attorney, Agent, or Firm*—George W. Jonas; Trisha D. Adamson

(51) **LOC (7) Cl.** **19-02**

(52) **U.S. Cl.** **D19/69; D19/67**

(58) **Field of Search** D19/65, 67, 68, D19/69, 89, 95, 99, 100; 225/6, 7, 19, 25, 33–38, 45, 56, 65, 77, 72, 86, 89; 242/588, 588.1–588.6, 590; 156/327, 523, 527, 577

(57) **CLAIM**

The ornamental design for a dual roll desktop tape dispenser, as shown and described.

DESCRIPTION

(56) **References Cited**

U.S. PATENT DOCUMENTS

D121,400 S	*	7/1940	Saunders	D19/69
D127,388 S		5/1941	Reinecke		
D135,165 S	*	3/1943	Schieman	D19/69
2,400,776 A	*	5/1946	Nordeen et al.	D19/69 X
D169,989 S		7/1953	Reinecke		
2,708,076 A	*	5/1955	Polster et al.	225/34
D190,780 S		6/1961	Reinecke		
D190,781 S	*	6/1961	Reinecke	D19/69
3,993,230 A		11/1976	Oakes		
D248,561 S		7/1978	Deering, Jr.		
D248,961 S		8/1978	De brey		

(Continued)

FOREIGN PATENT DOCUMENTS

EP	0 556 406 A1	8/1993
GB	2204564	11/1988
JP	07304551	11/1995

FIG. 1 is a perspective view showing the new design for a dual roll desktop tape dispenser.

FIG. 2 is a right side view showing the new design for a dual roll desktop tape dispenser.

FIG. 3 is a top view showing the new design for a dual roll desktop tape dispenser.

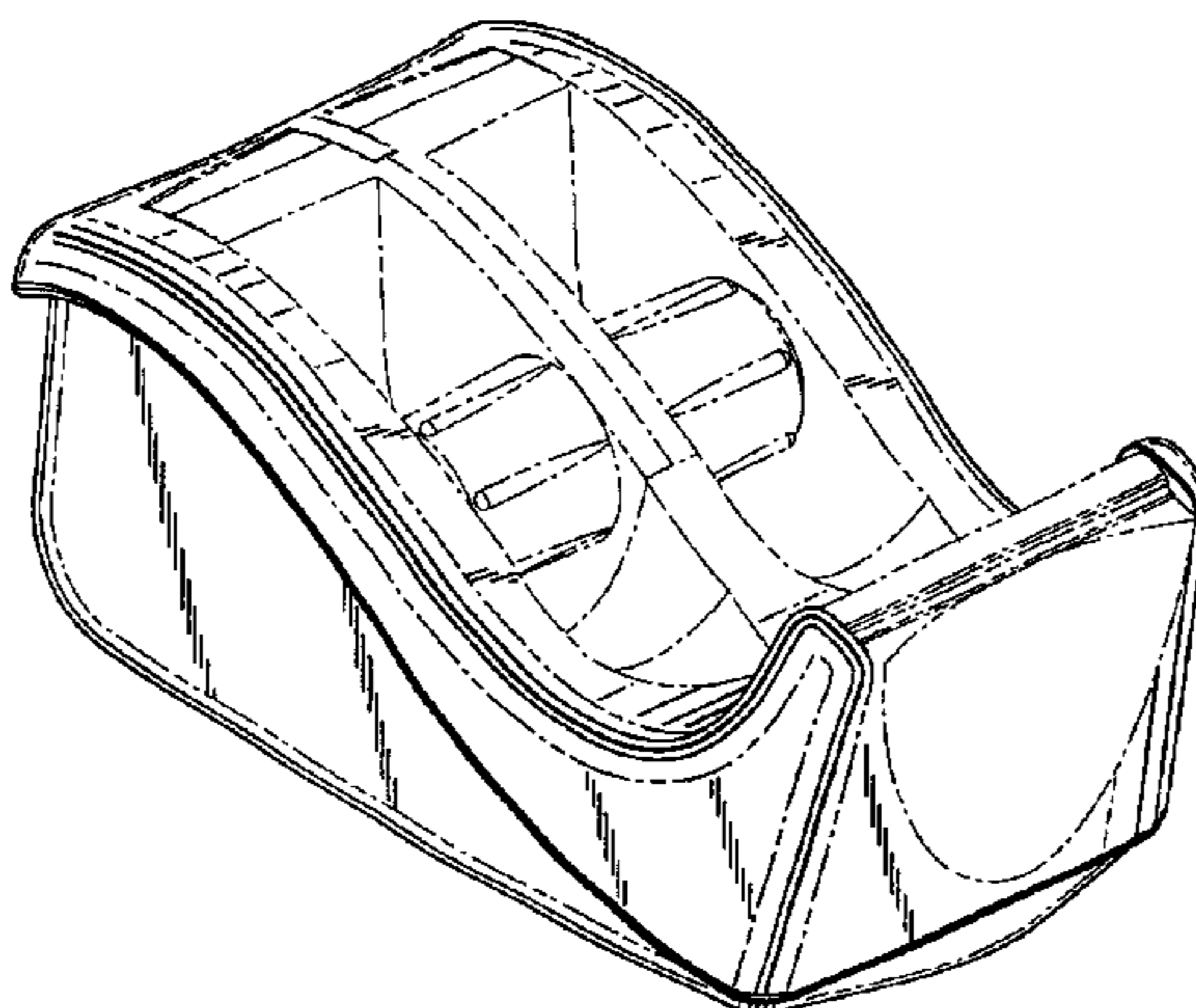
FIG. 4 is a front view showing the new design for a dual roll desktop tape dispenser

FIG. 5 is a bottom view showing the new design for a dual roll desktop tape dispenser; and,

FIG. 6 is a back view showing the new design for a dual roll desktop tape dispenser.

The structure depicted by means of broken lines in the figures has been shown for illustrative purposes only and forms no part of the claimed invention.

1 Claim, 3 Drawing Sheets



US D504,155 S

Page 2

U.S. PATENT DOCUMENTS

4,175,685 A	11/1979	Niles	D342,093 S	12/1993	Samuelson
D254,556 S	3/1980	Johnson	D342,548 S	12/1993	Kirchhoff et al.
4,222,509 A	9/1980	Smith	D359,511 S	6/1995	Nast et al.
4,599,130 A	7/1986	Woodley	5,624,527 A	4/1997	Maresh
D289,180 S	4/1987	Crawford et al.	D404,430 S	1/1999	Shen
D290,618 S	6/1987	Vitacco	D413,630 S	9/1999	Mandar
4,729,518 A	3/1988	Mathna et al.	D430,213 S	8/2000	Huang
D299,658 S	* 1/1989	Vasilakes et al. D19/69	D441,795 S	5/2001	De Regt et al.
4,884,734 A	12/1989	Kahl, Jr. et al.	D448,415 S	9/2001	Huang
D331,071 S	11/1992	Dotterman et al.	6,311,923 B1	11/2001	Tsai
D331,072 S	11/1992	Dotterman et al.	D486,521 S	2/2004	Crawford et al.

* cited by examiner

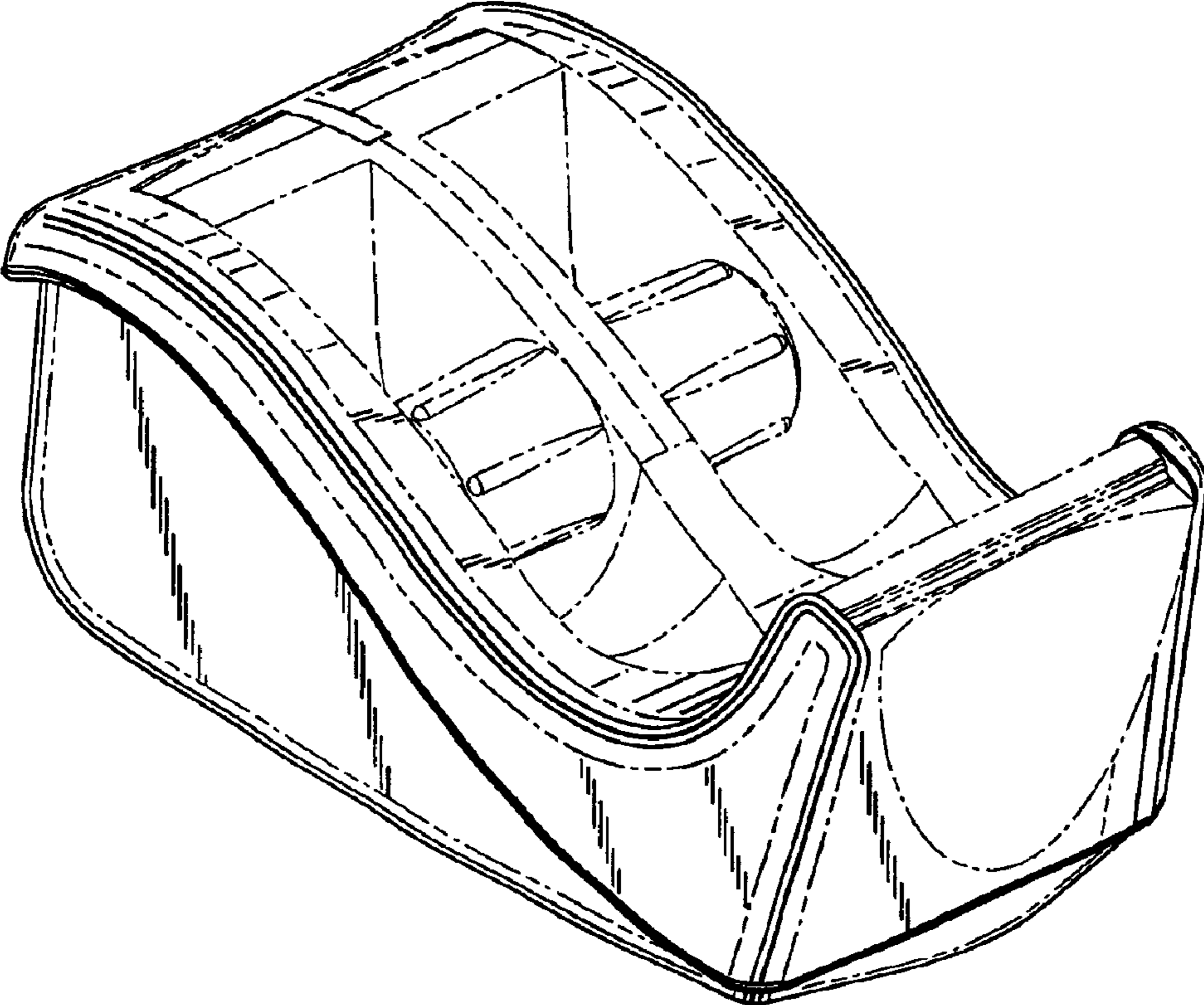


Fig. 1

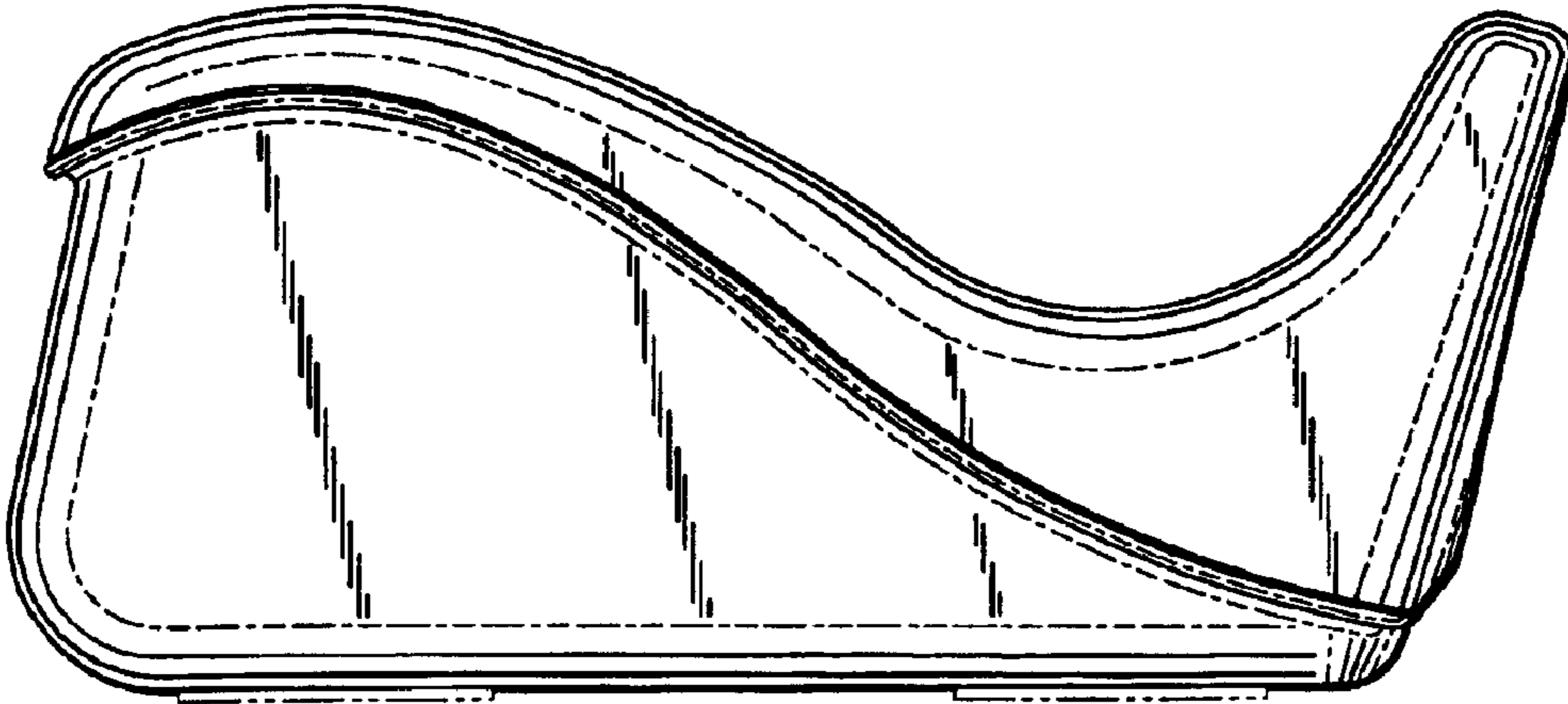


Fig. 2

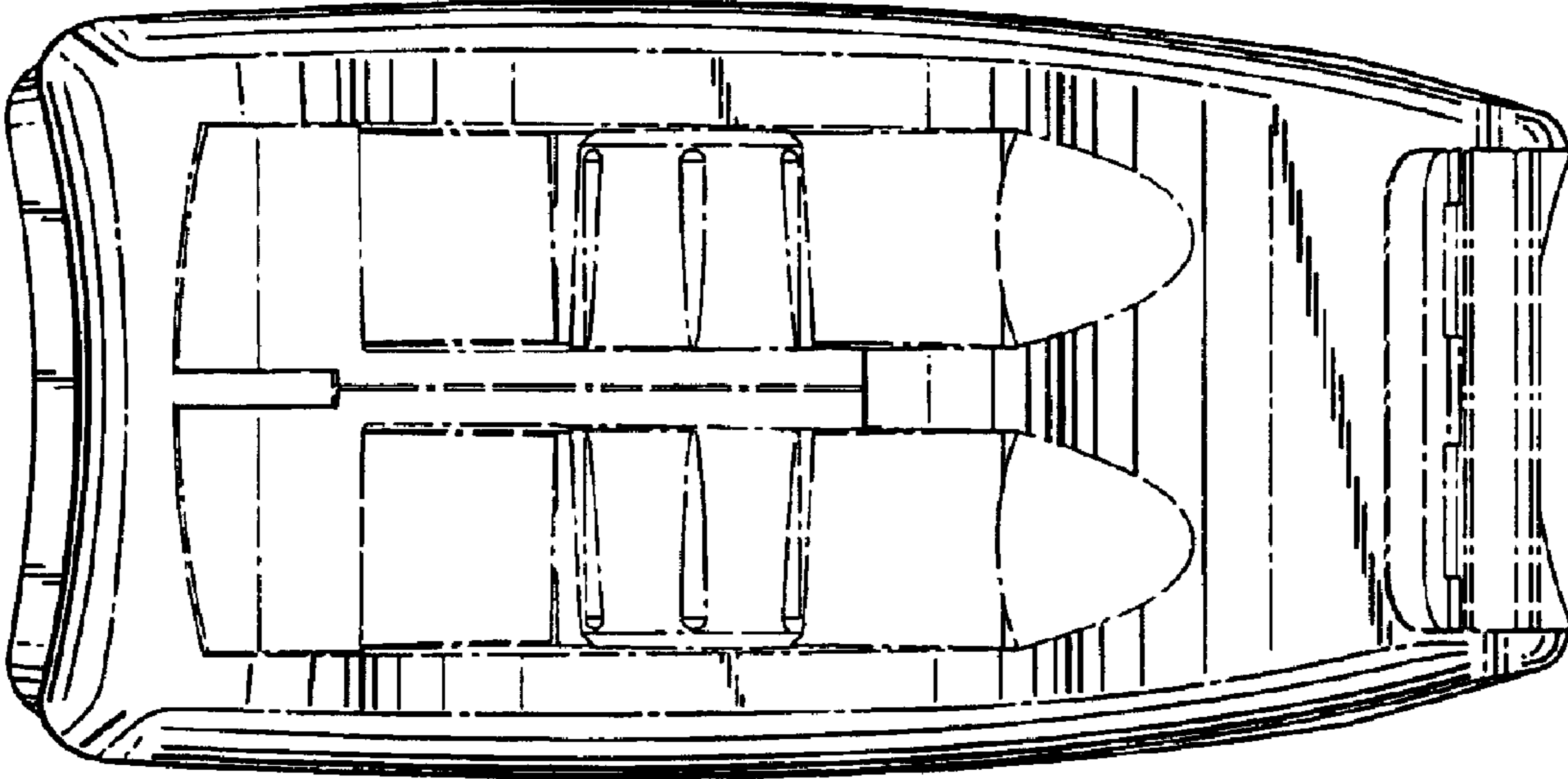


Fig. 3

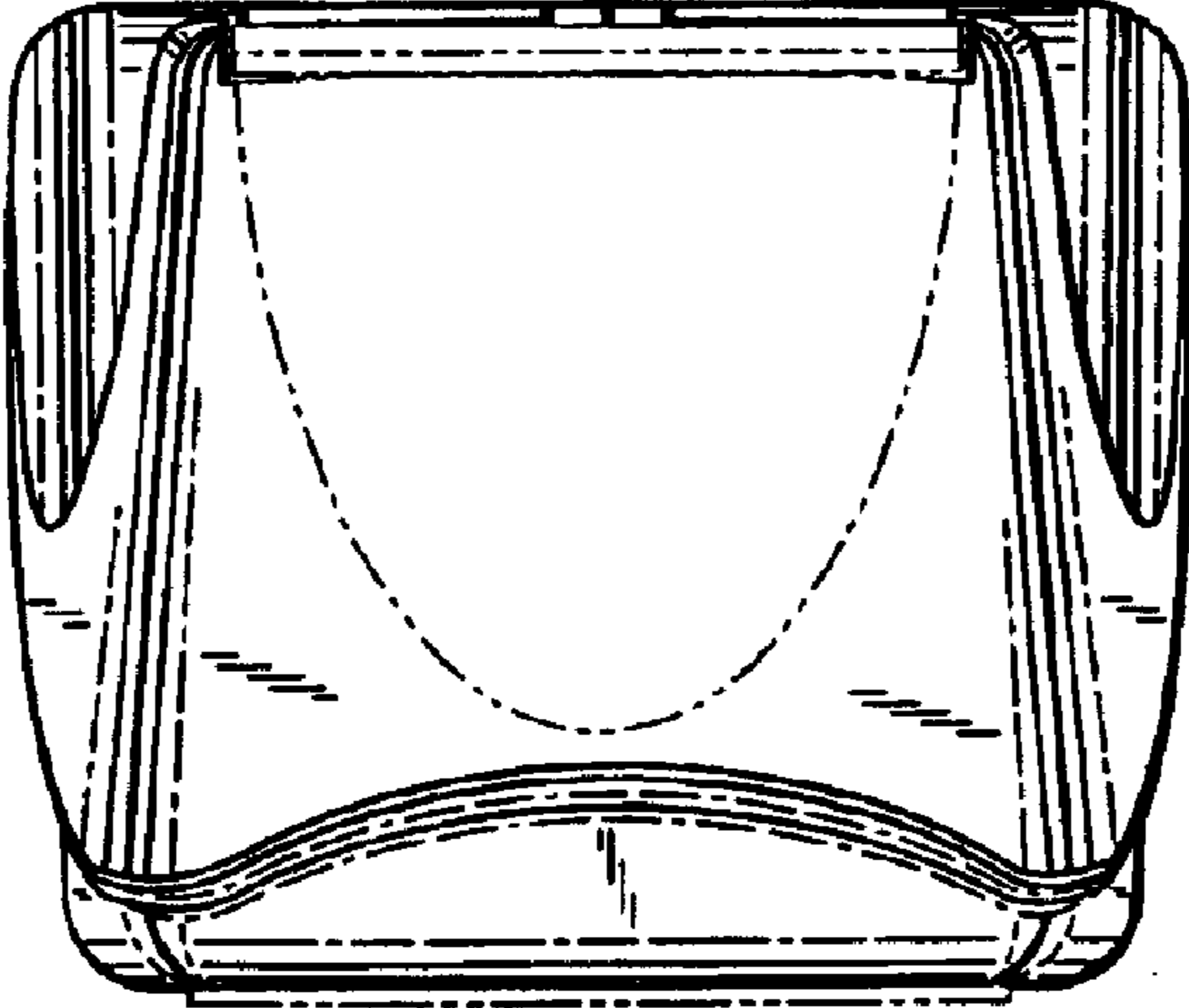


Fig. 4

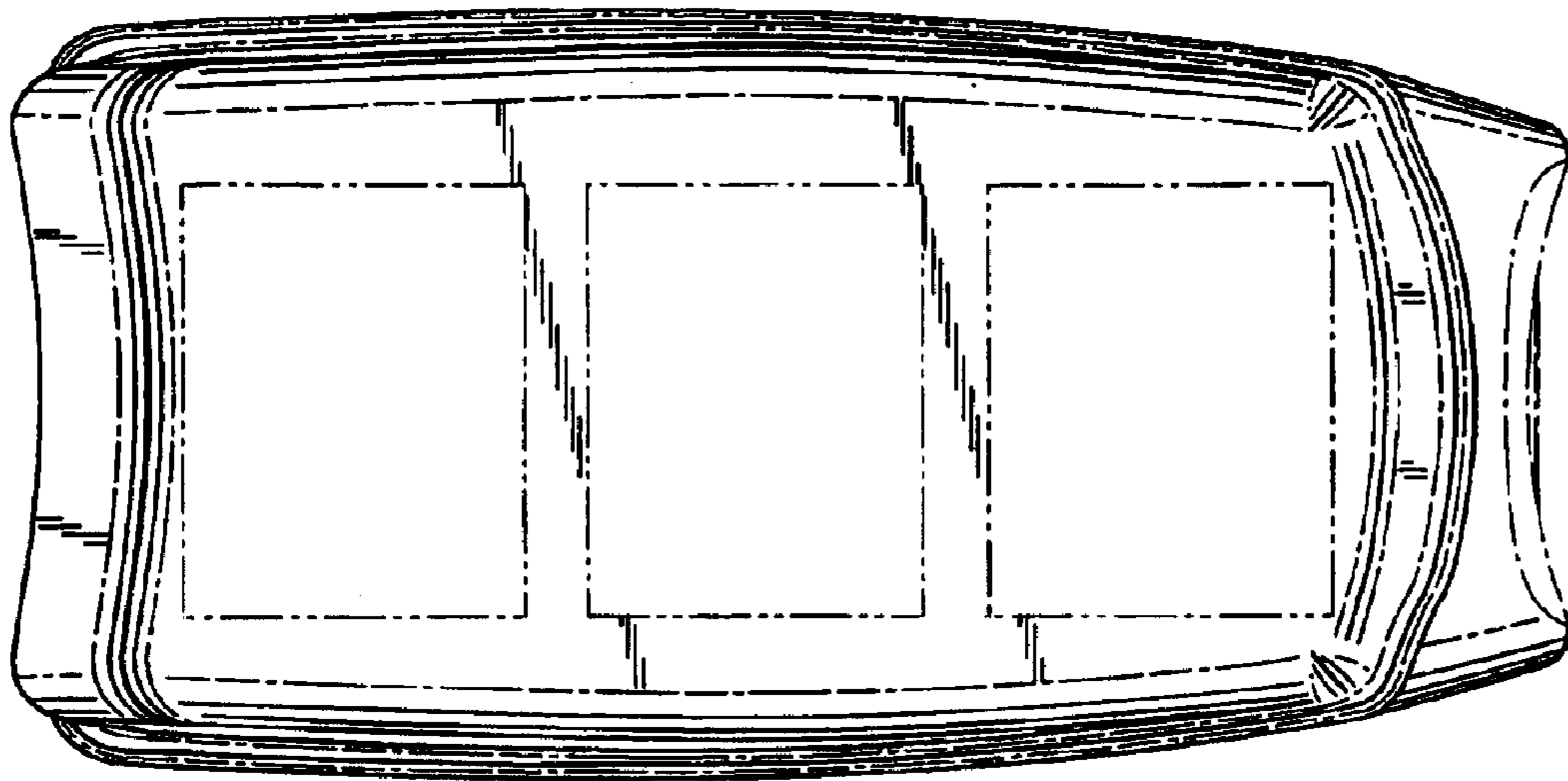


Fig. 5

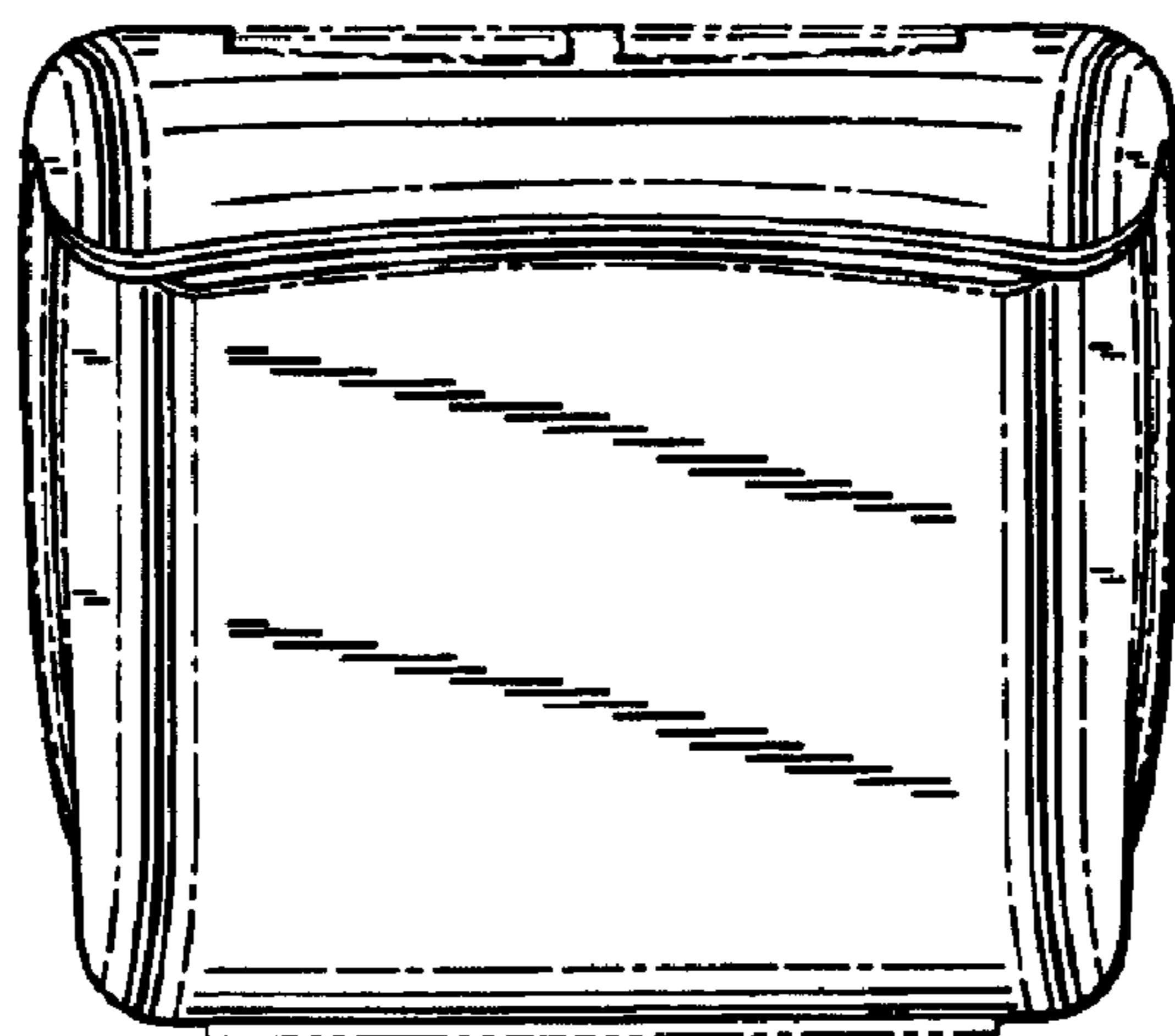


Fig. 6