

US00D504154S

(12) **United States Design Patent**
Collin

(10) **Patent No.:** **US D504,154 S**
(45) **Date of Patent:** **** Apr. 19, 2005**

(54) **WRITING INSTRUMENT**

(75) **Inventor:** **Benoît Collin, Nantes (FR)**

(73) **Assignee:** **Waterman SAS, Paris (FR)**

(**) **Term:** **14 Years**

(21) **Appl. No.:** **29/210,341**

(22) **Filed:** **Jul. 29, 2004**

(30) **Foreign Application Priority Data**

Feb. 2, 2004 (EM) 000136569

(51) **LOC (7) Cl.** **19-06**

(52) **U.S. Cl.** **D19/49; D19/56**

(58) **Field of Search** D19/35, 36, 41-51,
D19/53-58, 81-85; 401/99-102, 103-106,
107-110, 111-117, 209; 24/10 R, 11 R,
11 F, 11 M, 11 C, 11 P, 11 PP, 11 HC

(56) **References Cited**

U.S. PATENT DOCUMENTS

- D68,281 S * 9/1925 Todd, Jr. D19/49
- D163,606 S * 6/1951 Horwitch D19/48
- D179,538 S * 1/1957 Harper et al. D19/49
- D242,449 S * 11/1976 Jahraus D19/45
- D250,478 S * 12/1978 Jahraus D19/45

- D254,912 S * 5/1980 Ito D19/48
- D321,207 S * 10/1991 Granoff D19/49
- D339,378 S * 9/1993 Verhaegue D19/51
- D440,603 S * 4/2001 Restrepo D19/51

* cited by examiner

Primary Examiner—Martie K. Holtje

(74) *Attorney, Agent, or Firm*—Marshall, Gerstein & Borun LLP

(57) **CLAIM**

The ornamental design for a “writing instrument,” as shown and described.

DESCRIPTION

FIG. 1 is a perspective view showing my new design; FIG. 2 is a left side elevational view of the writing instrument of FIG. 1; the right side elevational view being a mirror image thereof; FIG. 3 is a front elevational view of the writing instrument of FIG. 1; FIG. 4 is a rear elevational view of the writing instrument of FIG. 1; FIG. 5 is a top plan view of the writing instrument of FIG. 1; and, FIG. 6 is a bottom plan view of the writing instrument of FIG. 1.

1 Claim, 2 Drawing Sheets

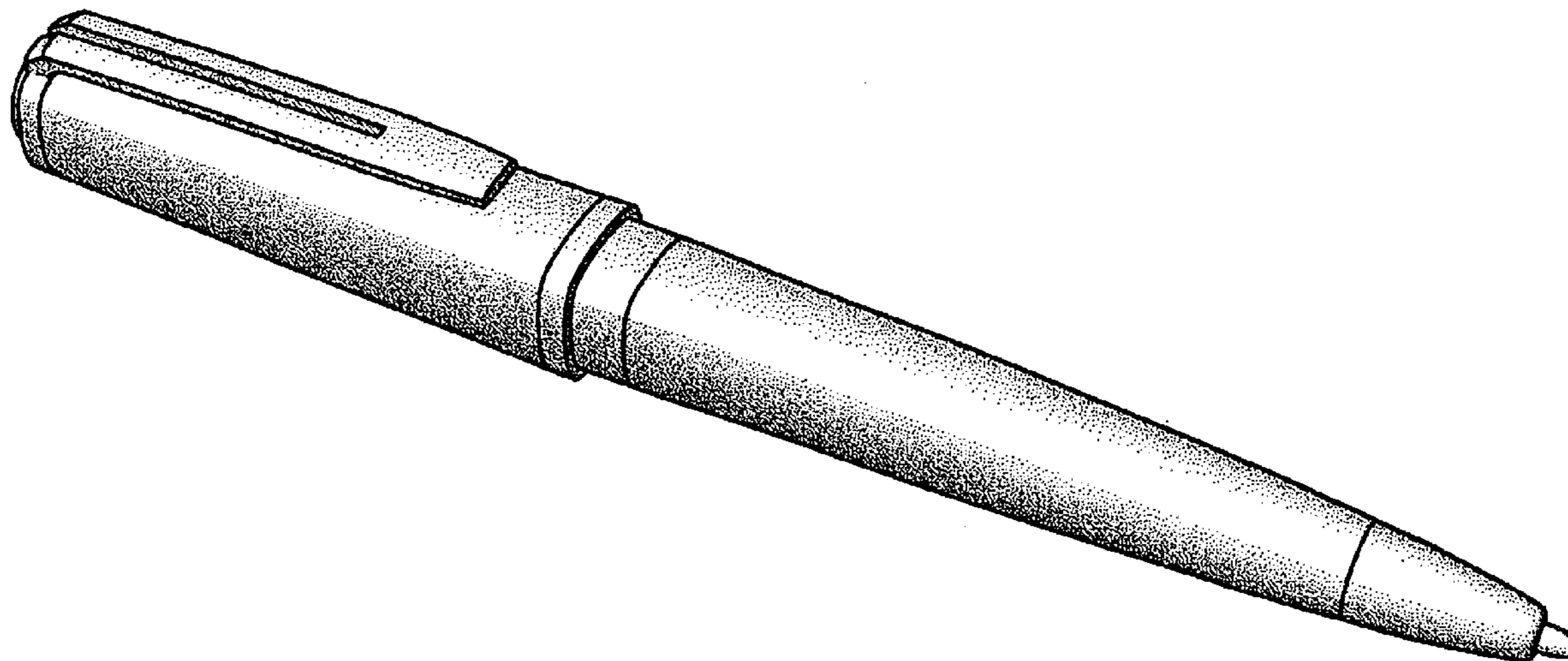


FIG. 1

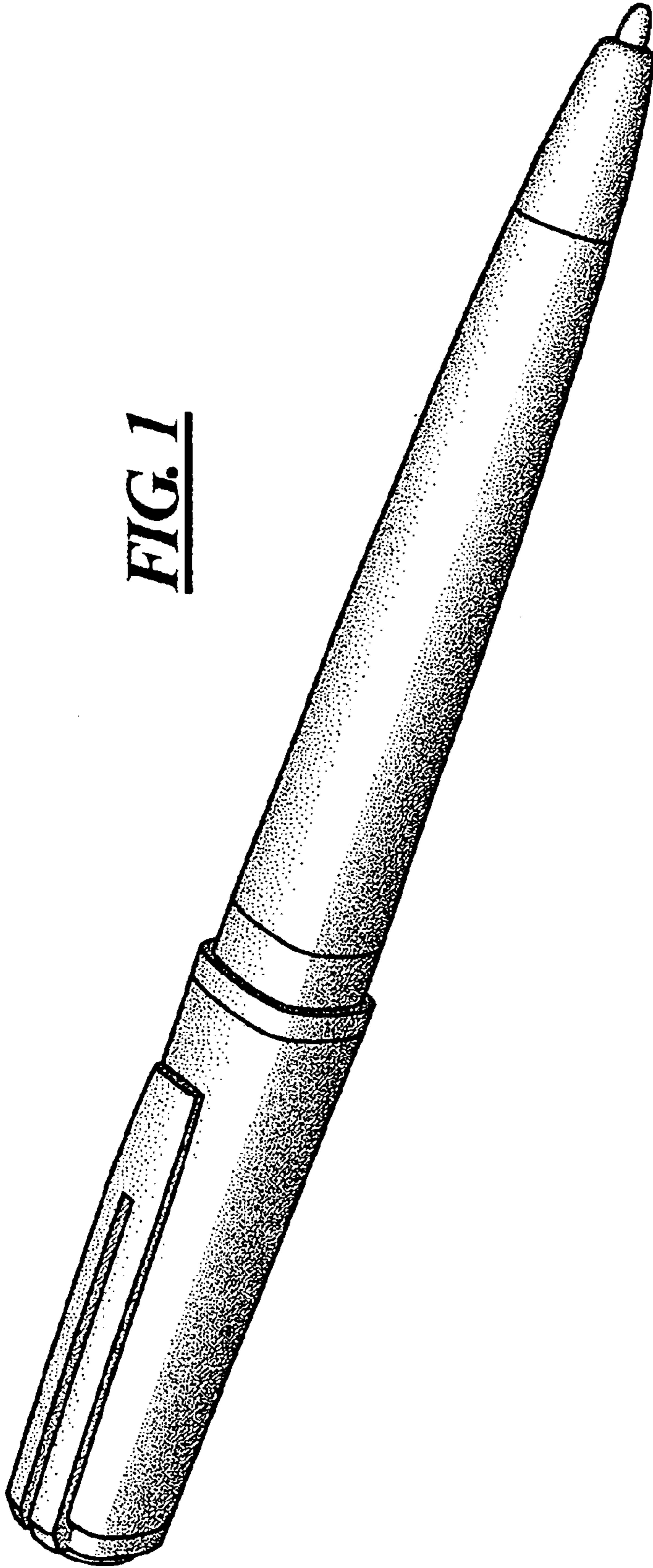


FIG. 6

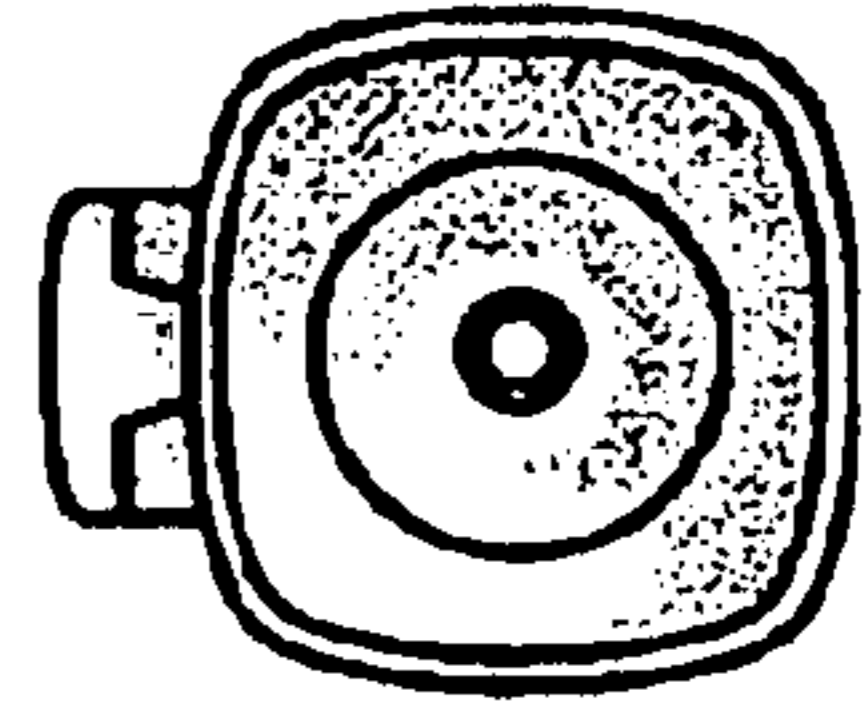


FIG. 5

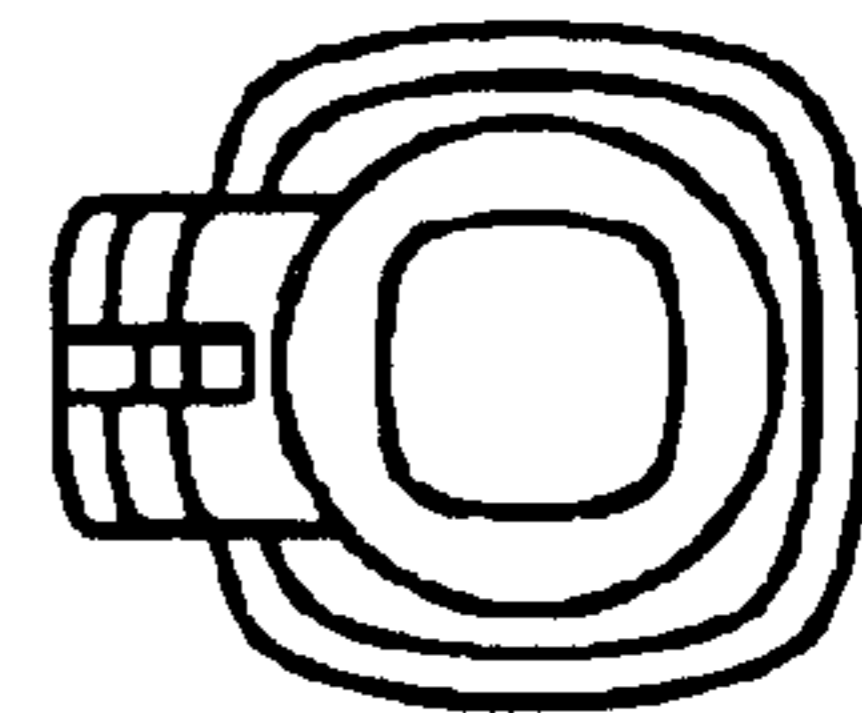


FIG. 2

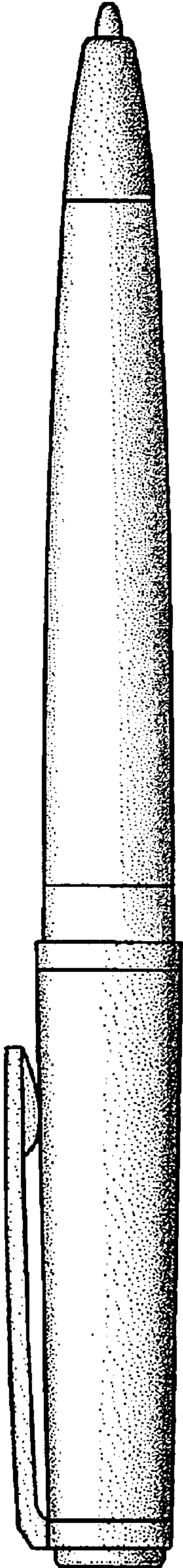


FIG. 3

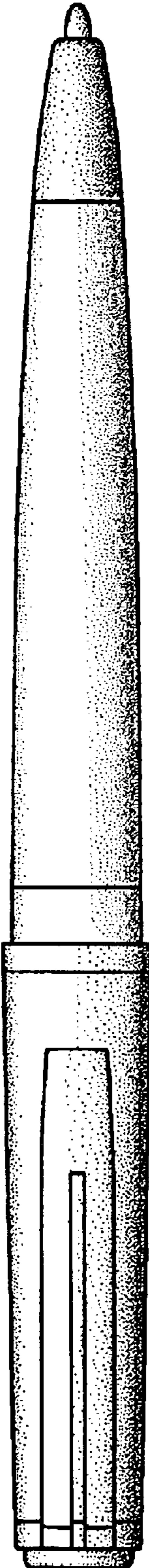


FIG. 4

