

US00D504152S

(12) **United States Design Patent**  
**Collin**

(10) **Patent No.:** **US D504,152 S**  
(45) **Date of Patent:** **\*\* Apr. 19, 2005**

(54) **WRITING INSTRUMENT**

(75) Inventor: **Benoît Collin**, Nantes (FR)

(73) Assignee: **Waterman SAS**, Paris (FR)

(\*\*) Term: **14 Years**

(21) Appl. No.: **29/210,342**

(22) Filed: **Jul. 29, 2004**

(30) **Foreign Application Priority Data**

Feb. 2, 2004 (EM) ..... 000136569

(51) **LOC (7) Cl.** ..... **19-06**

(52) **U.S. Cl.** ..... **D19/43; D19/49; D19/56**

(58) **Field of Search** ..... D19/35, 36, 41-51,  
D19/53-58, 81-85; 401/98, 202, 209, 213,  
221-231, 243-247, 261, 262; 24/10 R,  
11 R, 11 P, 11 PP

(56) **References Cited**

**U.S. PATENT DOCUMENTS**

D94,375 S	*	1/1935	Back	.....	D19/49
D145,431 S	*	8/1946	Flanagan	.....	D19/42
D179,538 S	*	1/1957	Harper et al.	.....	D19/49
D212,866 S	*	12/1968	Perraud	.....	D19/51
D254,912 S	*	5/1980	Ito	.....	D19/48
D387,382 S	*	12/1997	Nyambi et al.	.....	D19/57
D398,934 S	*	9/1998	Veillon	.....	D19/51
D440,604 S	*	4/2001	Restrepo	.....	D19/51

\* cited by examiner

*Primary Examiner*—Martie K. Holtje

(74) *Attorney, Agent, or Firm*—Marshall, Gerstein & Borun  
LLP

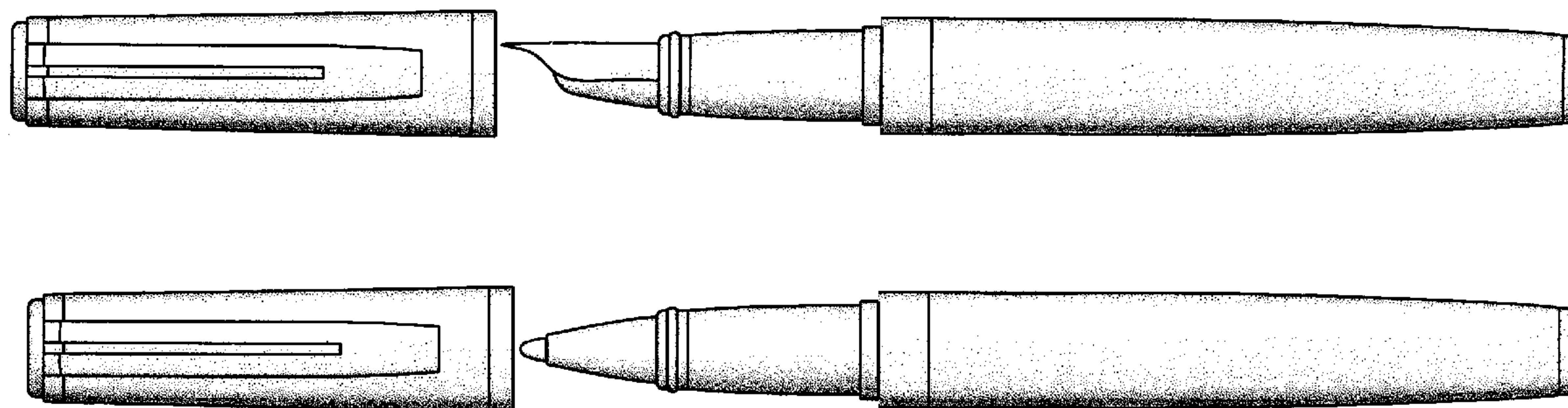
(57) **CLAIM**

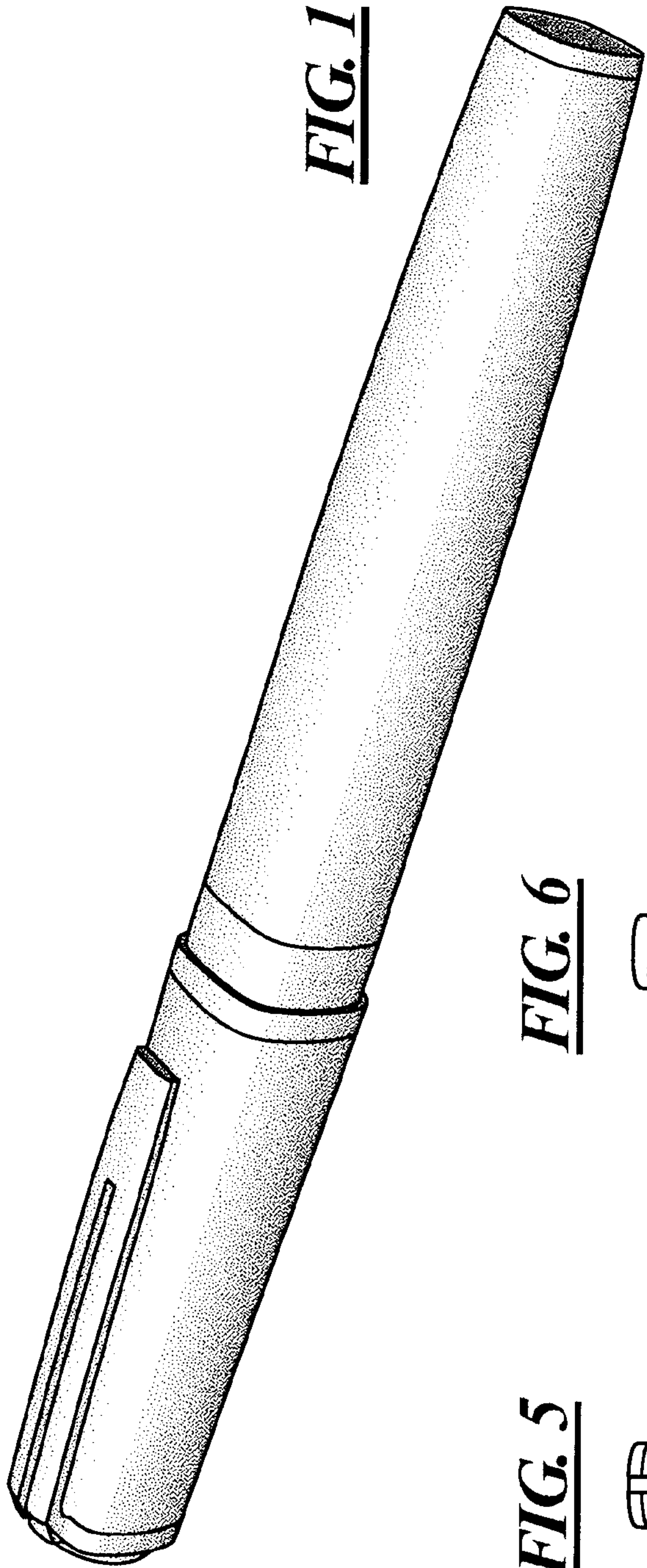
The ornamental design for a “writing instrument,” as shown and described.

**DESCRIPTION**

FIG. 1 is a perspective view showing my new design;  
 FIG. 2 is a left side elevational view of the writing instrument of FIG. 1; the right side elevational view being a mirror image thereof;  
 FIG. 3 is a front elevational view of the writing instrument of FIG. 1;  
 FIG. 4 is a rear elevational view of the writing instrument of FIG. 1;  
 FIG. 5 is a top plan view of the writing instrument of FIG. 1;  
 FIG. 6 is a bottom plan view of the writing instrument of FIG. 1;  
 FIG. 7 is a front elevational view of the writing instrument of FIG. 1 with the cap removed;  
 FIG. 8 is a perspective view of a second embodiment of my new design;  
 FIG. 9 is a left side elevational view of the writing instrument of FIG. 8; the right side elevational view being a mirror image thereof;  
 FIG. 10 is a front elevational view of the writing instrument of FIG. 8;  
 FIG. 11 is a rear elevational view of the writing instrument of FIG. 8;  
 FIG. 12 is a top plan view of the writing instrument of FIG. 8;  
 FIG. 13 is a bottom plan view of the writing instrument of FIG. 8; and,  
 FIG. 14 is a front elevational view of the writing instrument of FIG. 8 with the cap removed.

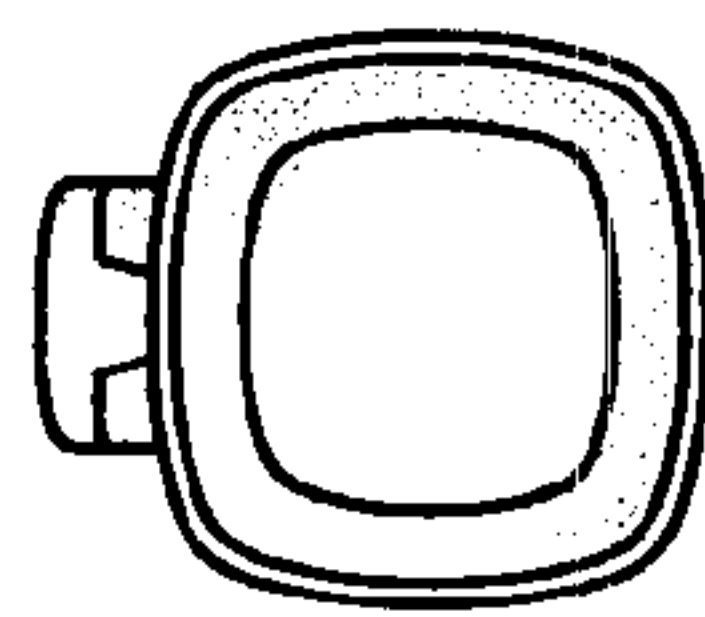
**1 Claim, 4 Drawing Sheets**



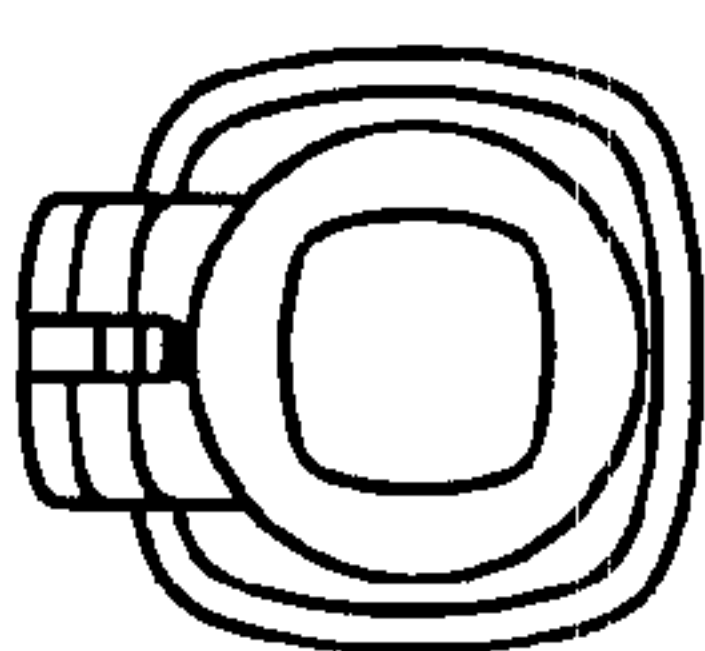


**FIG. 1**

**FIG. 6**



**FIG. 5**



**FIG. 7**

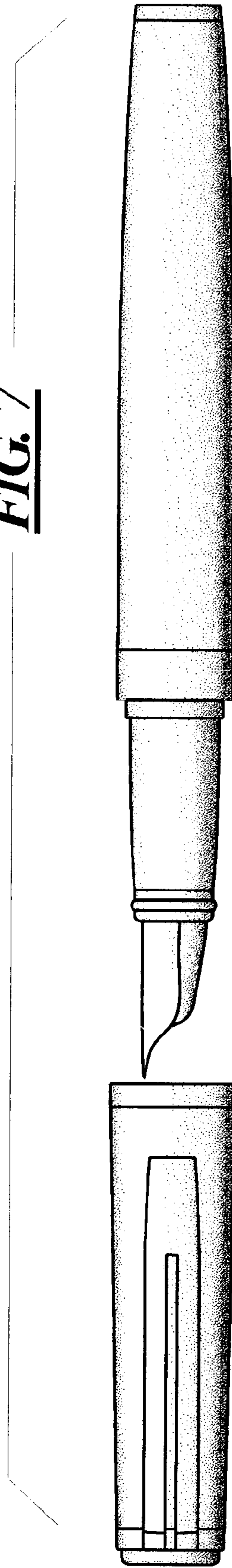




FIG. 2

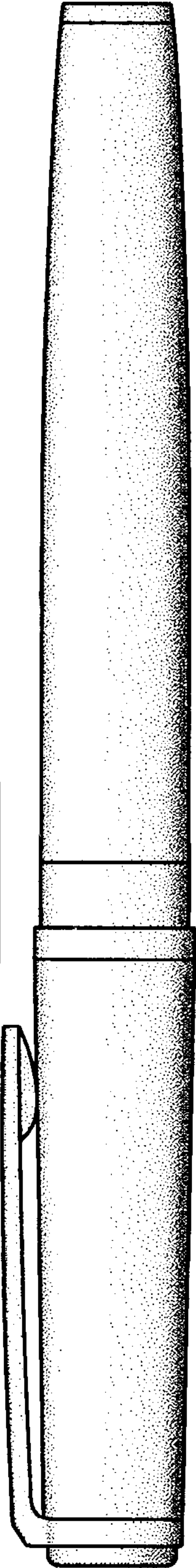
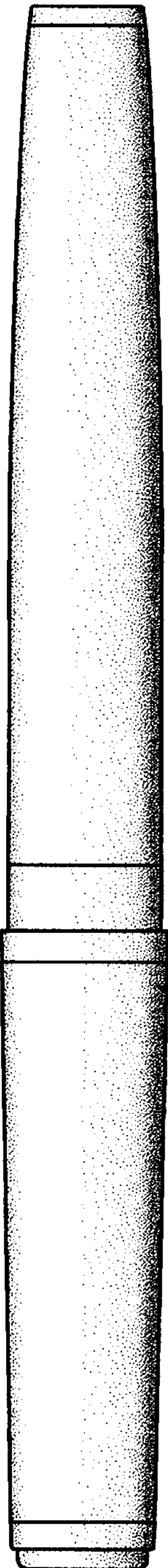
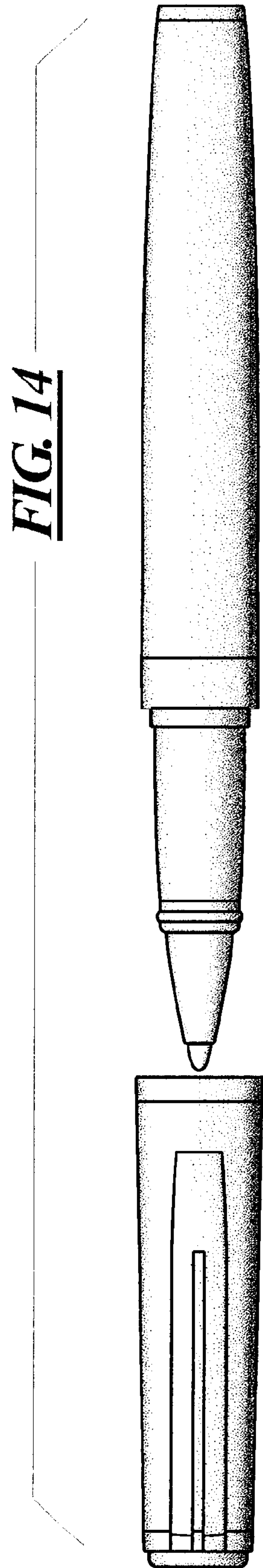
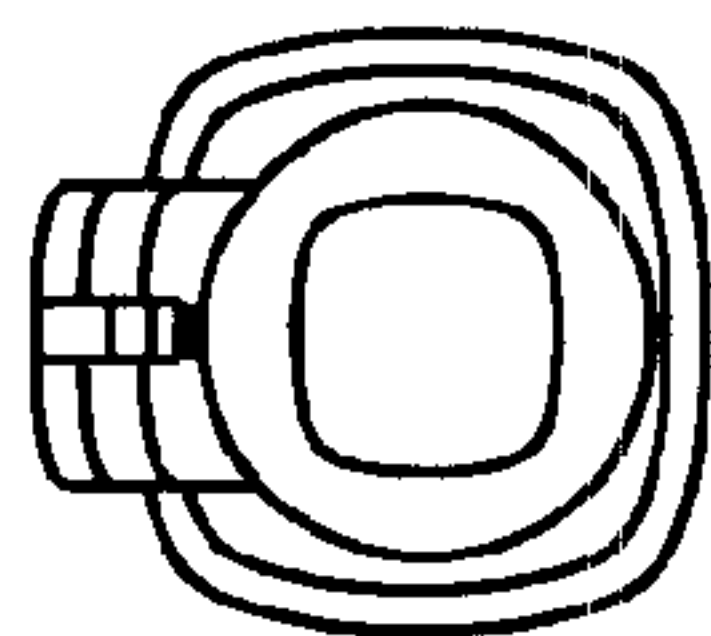
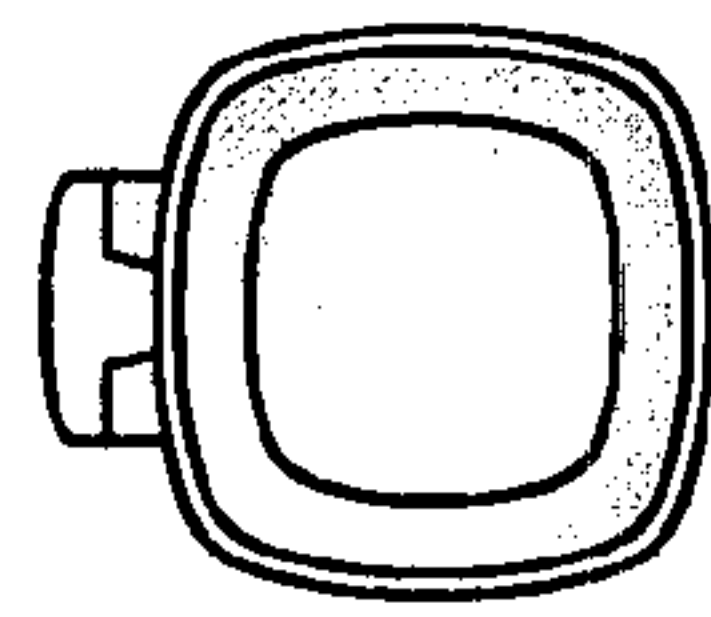
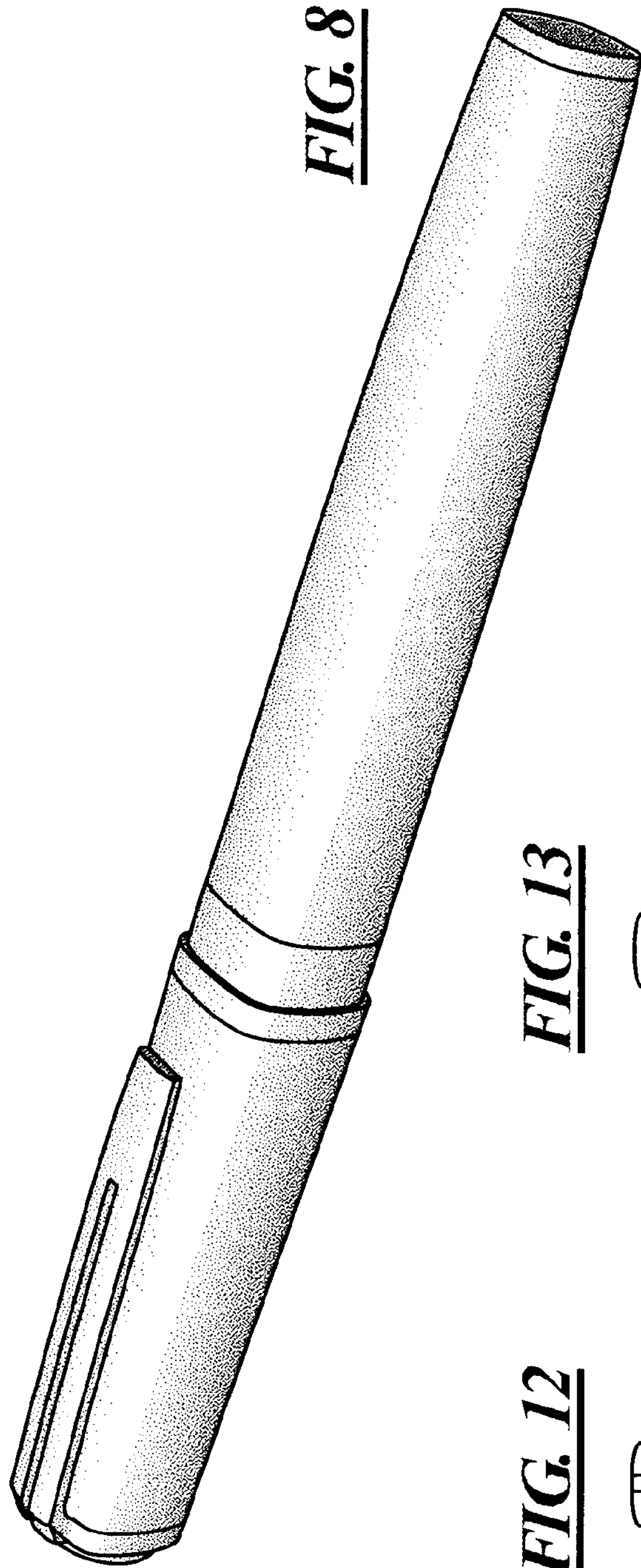


FIG. 3



FIG. 4







**FIG. 9**



**FIG. 10**



**FIG. 11**

