

US00D504146S

(12) **United States Design Patent**
Suzuki

(10) **Patent No.:** **US D504,146 S**
(45) **Date of Patent:** **** Apr. 19, 2005**

(54) **ELECTRONIC WIND INSTRUMENT**

(75) **Inventor:** **Toshihide Suzuki, Shizuoka (JP)**

(73) **Assignee:** **Yamaha Corporation, Shizuoka (JP)**

(**) **Term:** **14 Years**

(21) **Appl. No.:** **29/193,931**

(22) **Filed:** **Nov. 18, 2003**

(30) **Foreign Application Priority Data**

May 19, 2003 (JP) 2003-013706

(51) **LOC (7) Cl.** **17-02**

(52) **U.S. Cl.** **D17/11**

(58) **Field of Search** D17/10-11, 13,
D17/99; 84/387 R, 388, 385 R, 86, 83,
3, 5

(56) **References Cited**

U.S. PATENT DOCUMENTS

D48,319 S	*	12/1915	Higgins	D17/11
D119,755 S	*	4/1940	Johnson	D17/11
D175,425 S	*	8/1955	Maher	D17/11
2,790,345 A	*	4/1957	Greenleaf	84/388
2,947,211 A	*	8/1960	Shuman	84/388

2,990,744 A	*	7/1961	Brilhart	84/392
3,044,126 A	*	7/1962	Fisher	264/267
D273,404 S		4/1984	Takahashi		
4,512,233 A	*	4/1985	Holland	84/394
4,559,859 A	*	12/1985	Pilczuk	84/394
D321,730 S		11/1991	McElhaney		
D407,100 S	*	3/1999	Marcinkiewicz	D17/11
6,118,059 A	*	9/2000	Ternes	84/387 R

* cited by examiner

Primary Examiner—Ruth McInroy

(74) *Attorney, Agent, or Firm*—Sughrue Mion, PLLC

(57) **CLAIM**

The ornamental design for an electronic wind instrument, as shown.

DESCRIPTION

FIG. 1 is a perspective view of the top, front and left side of an electronic wind instrument showing my new design; FIG. 2 is a left side elevational view thereof; FIG. 3 is a right side elevational view thereof; FIG. 4 is a top plan view thereof; FIG. 5 is a bottom plan view thereof; FIG. 6 is a rear elevational view thereof; and, FIG. 7 is a front elevational view thereof.

1 Claim, 2 Drawing Sheets

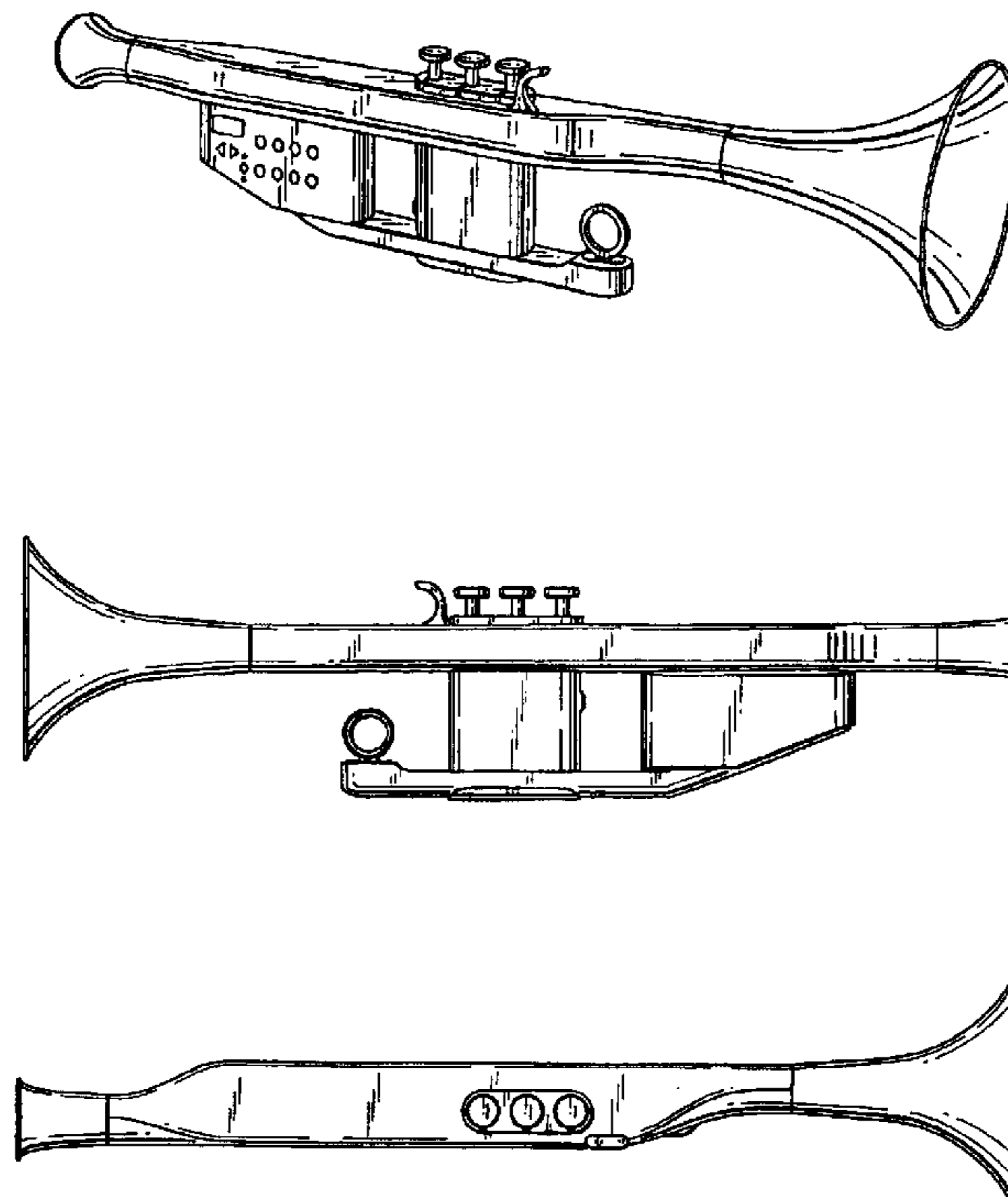


FIG. 1

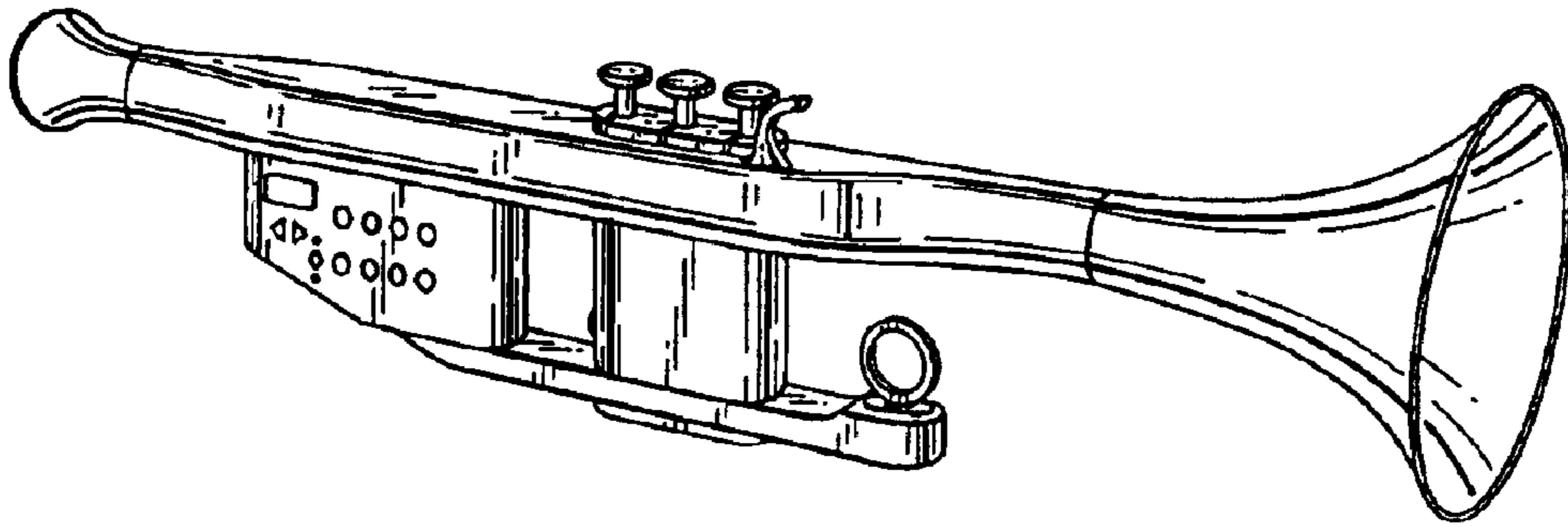


FIG. 2

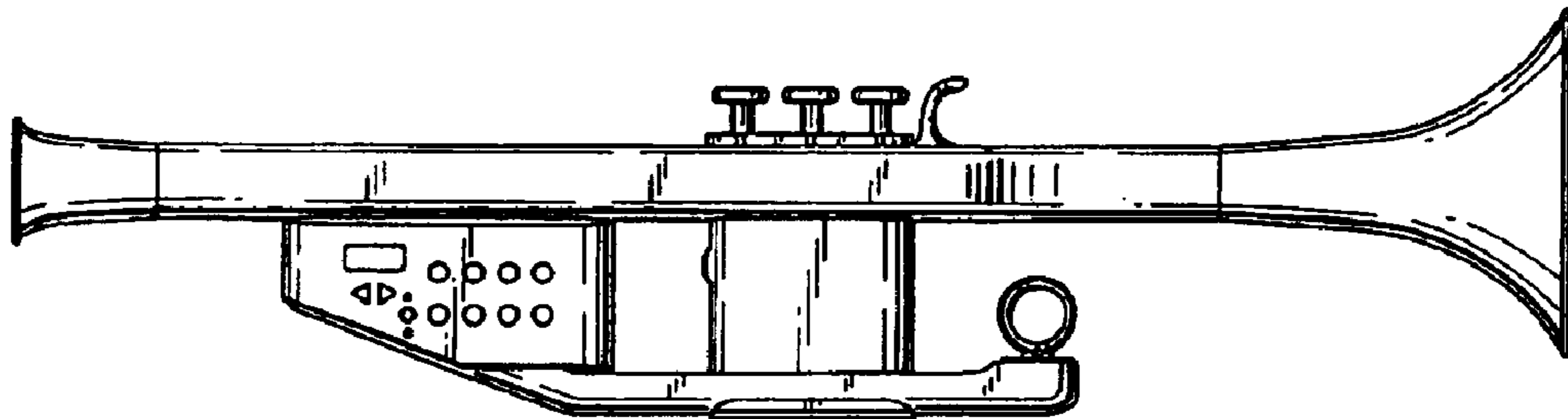


FIG. 3

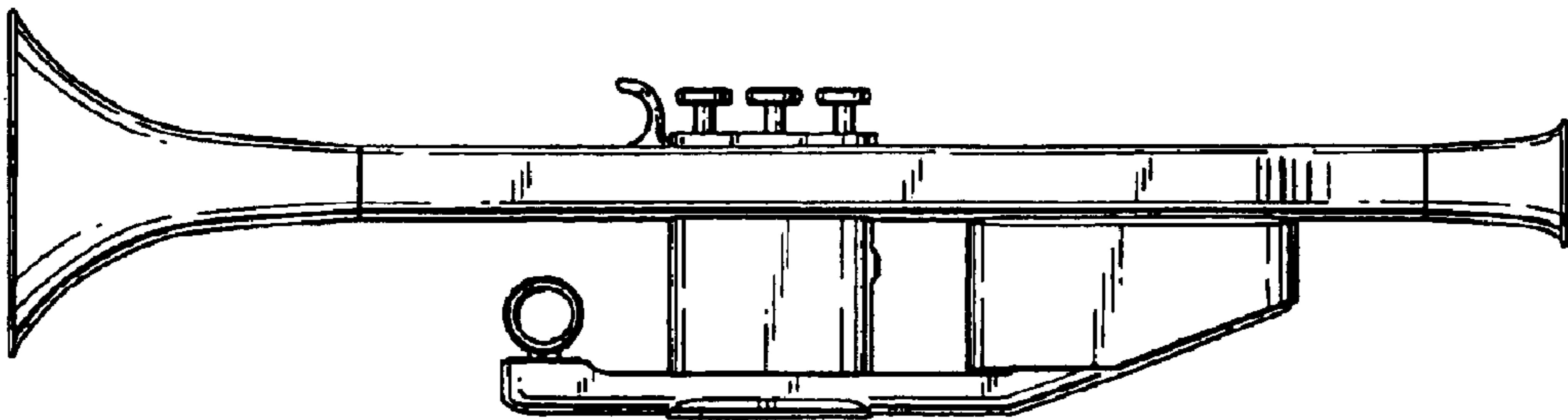


FIG. 4

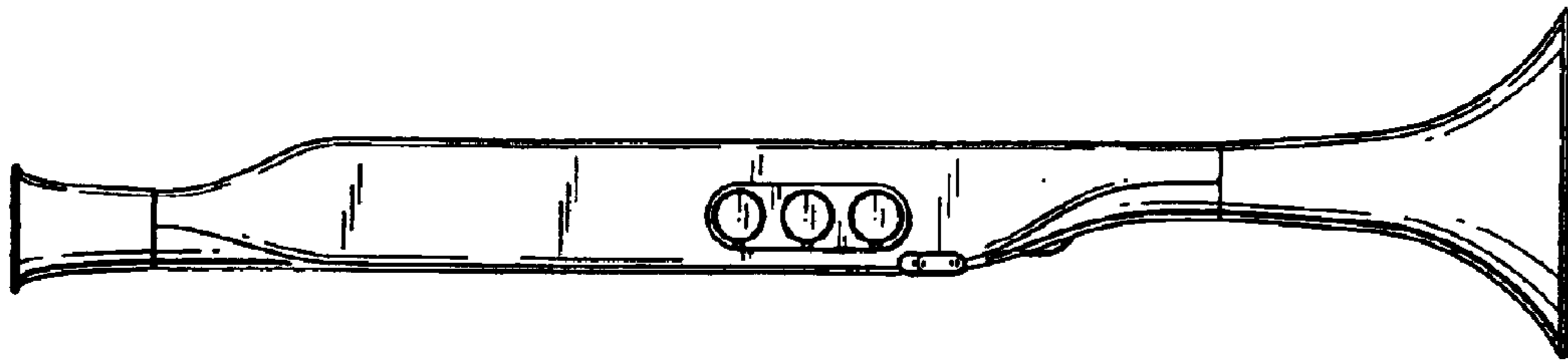


FIG. 5

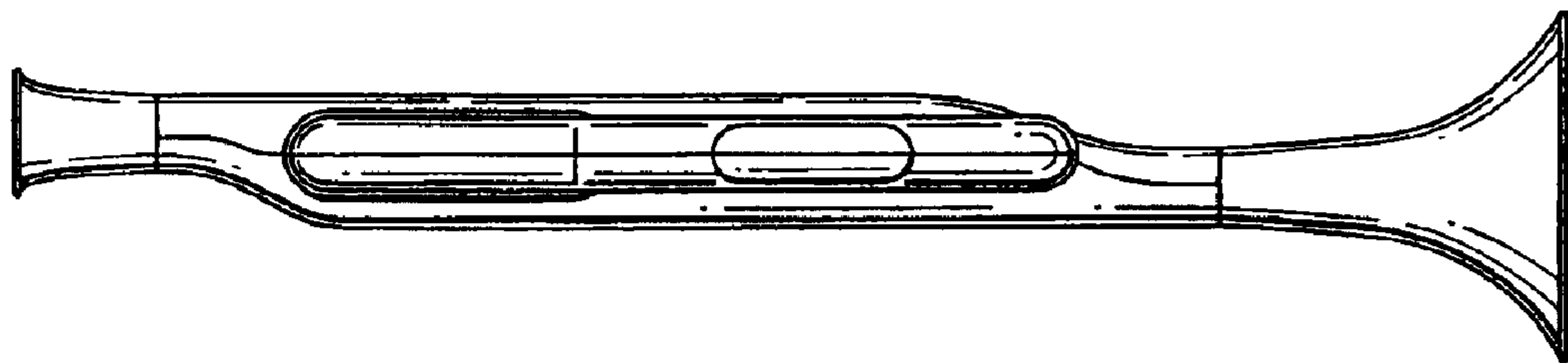


FIG. 6

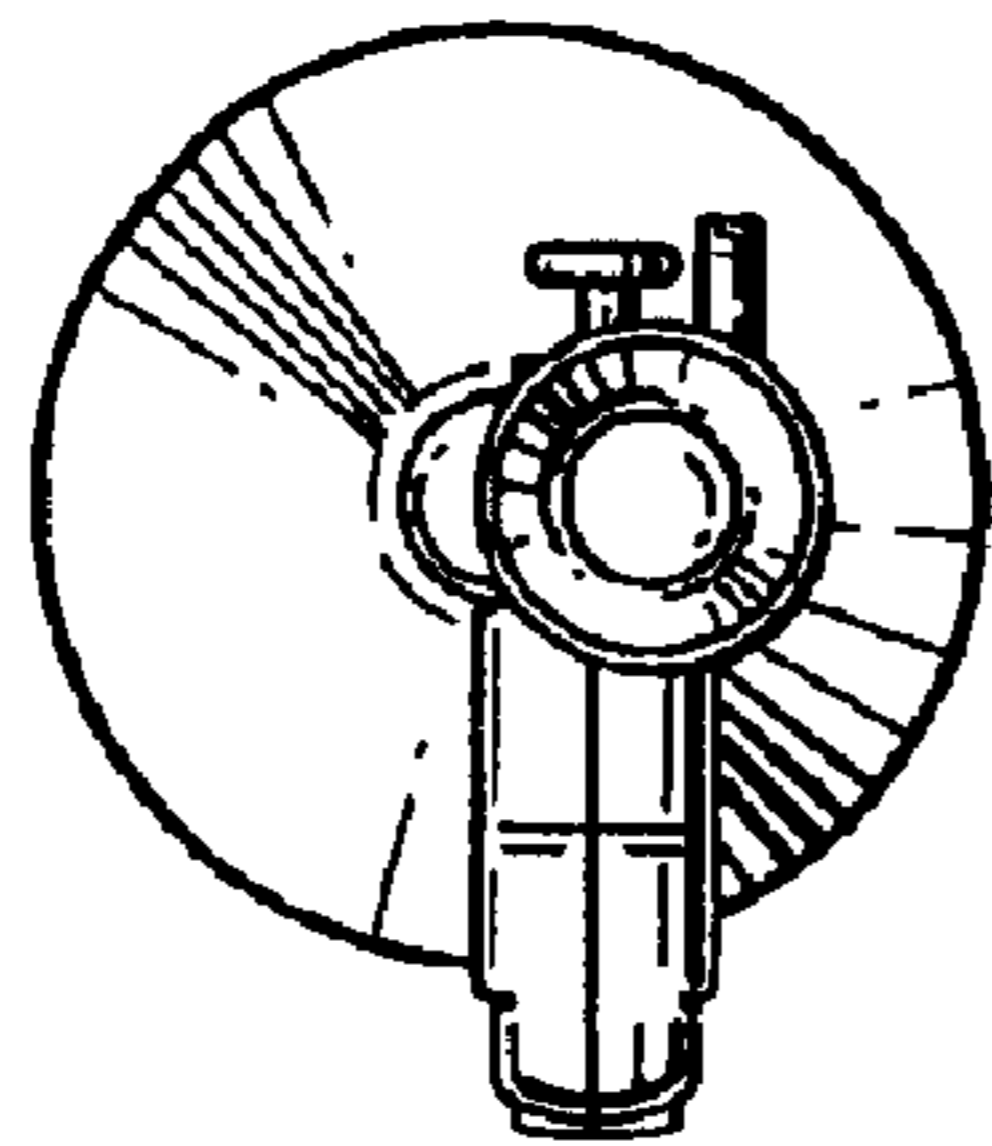


FIG. 7

