

US00D504144S

(12) **United States Design Patent**
Lee et al.

(10) **Patent No.:** **US D504,144 S**
(45) **Date of Patent:** **** Apr. 19, 2005**

(54) **PHOTOGRAPHABLE BINOCULARS**

(75) Inventors: **Hsin-Feng Lee**, Taichung (TW);
Chih-Hui Chen, Taichung (TW);
Rong-June Yan, Taichung (TW);
Kun-I Yuan, Taichung (TW); **Mei-Pin Chang**, Taichung (TW); **Chun-Hsiung Lin**, Taichung (TW)

(73) Assignee: **Asia Optical Co., Inc.**, Taichung (TW)

(**) Term: **14 Years**

(21) Appl. No.: **29/199,514**

(22) Filed: **Feb. 18, 2004**

(51) **LOC (7) Cl.** **16-06**

(52) **U.S. Cl.** **D16/133**

(58) **Field of Search** D16/130, 132,
D16/133, 200, 202, 206, 208; 348/373,
376; 358/906; 359/363, 407-418, 726;
396/535-541

(56) **References Cited**

U.S. PATENT DOCUMENTS

2,882,791 A * 4/1959 Moller et al. 359/363
D353,388 S * 12/1994 Matsushita D16/133

D365,832 S * 1/1996 Miyahara et al. D16/133
5,986,803 A * 11/1999 Kelly 359/409
6,330,401 B1 * 12/2001 Greene 396/432
D484,900 S * 1/2004 Lee et al. D16/133
D488,178 S * 4/2004 Huang D16/218
D496,672 S * 9/2004 Hines et al. D16/133

* cited by examiner

Primary Examiner—Paula A. Greene

(74) *Attorney, Agent, or Firm*—Bacon & Thomas PLLC

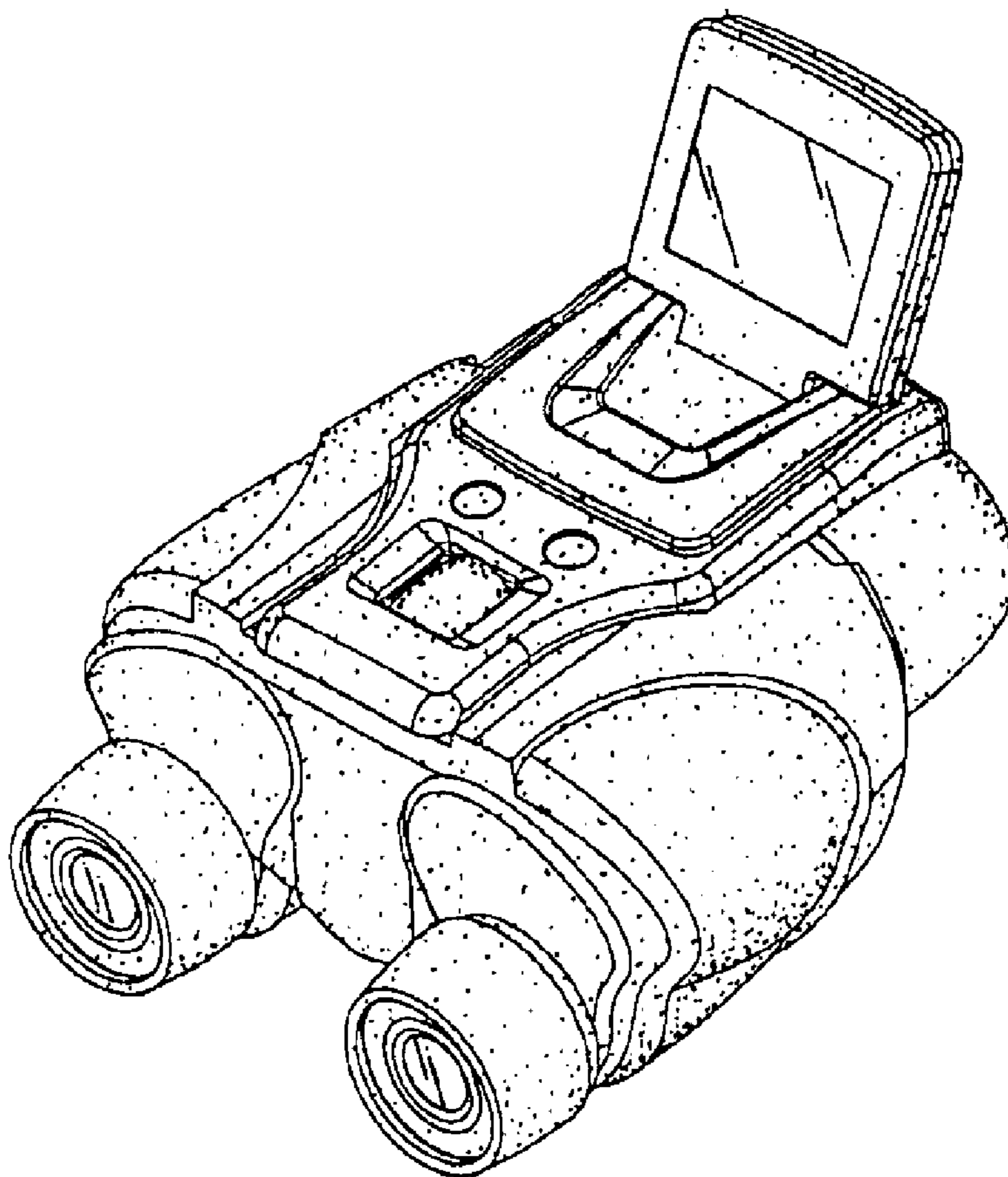
(57) **CLAIM**

The ornamental design for “photographable binoculars,” as shown.

DESCRIPTION

FIG. 1 shows a perspective view of the present design.
FIG. 2 shows a right side elevational view of the present design.
FIG. 3 shows a top plan view of the present design.
FIG. 4 shows a front elevational view of the present design.
FIG. 5 shows a bottom plan view of the present design.
FIG. 6 shows a left side elevational view of the present design; and,
FIG. 7 shows a rear elevational view of the present design.

1 Claim, 2 Drawing Sheets



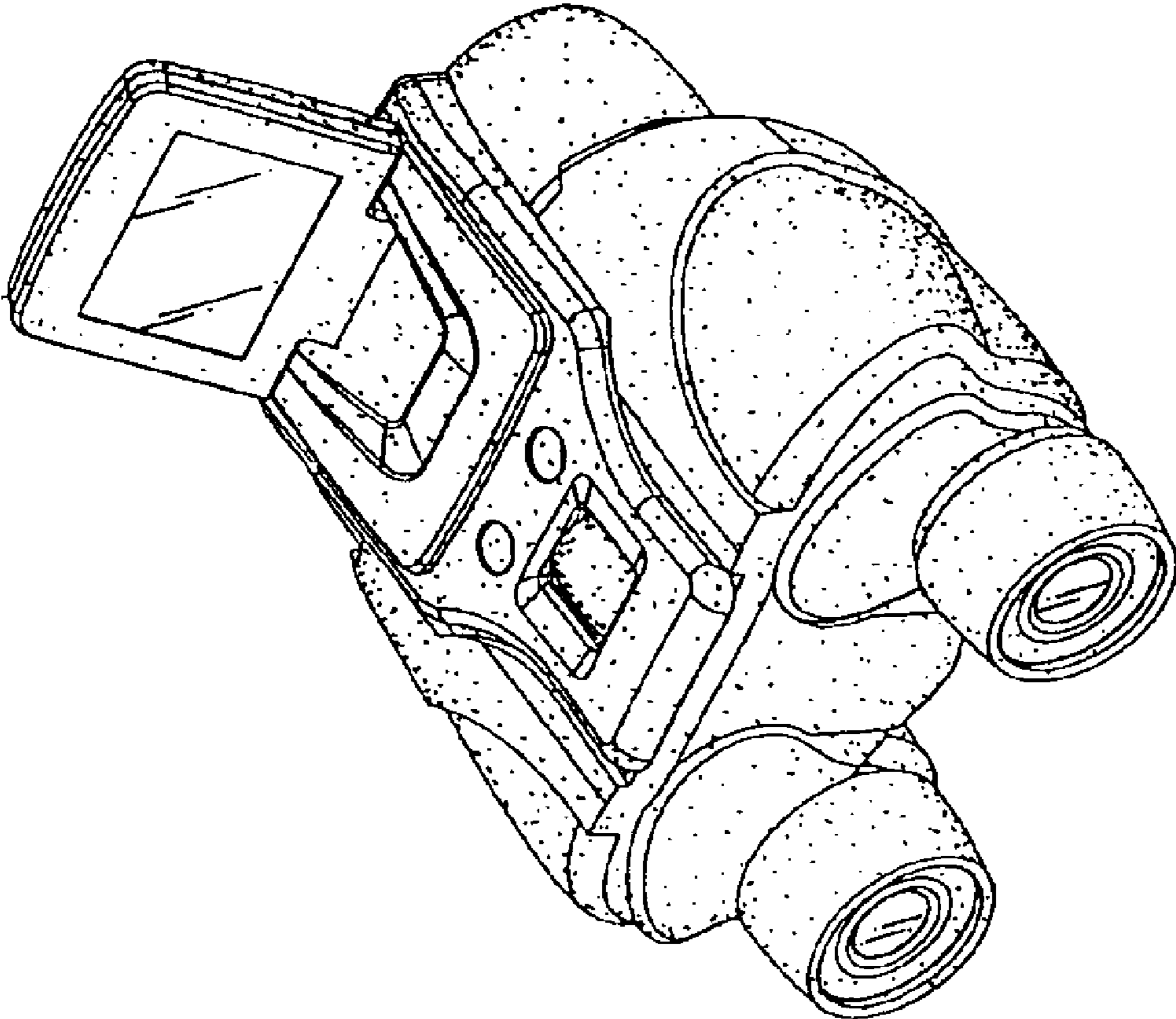


FIG. 1

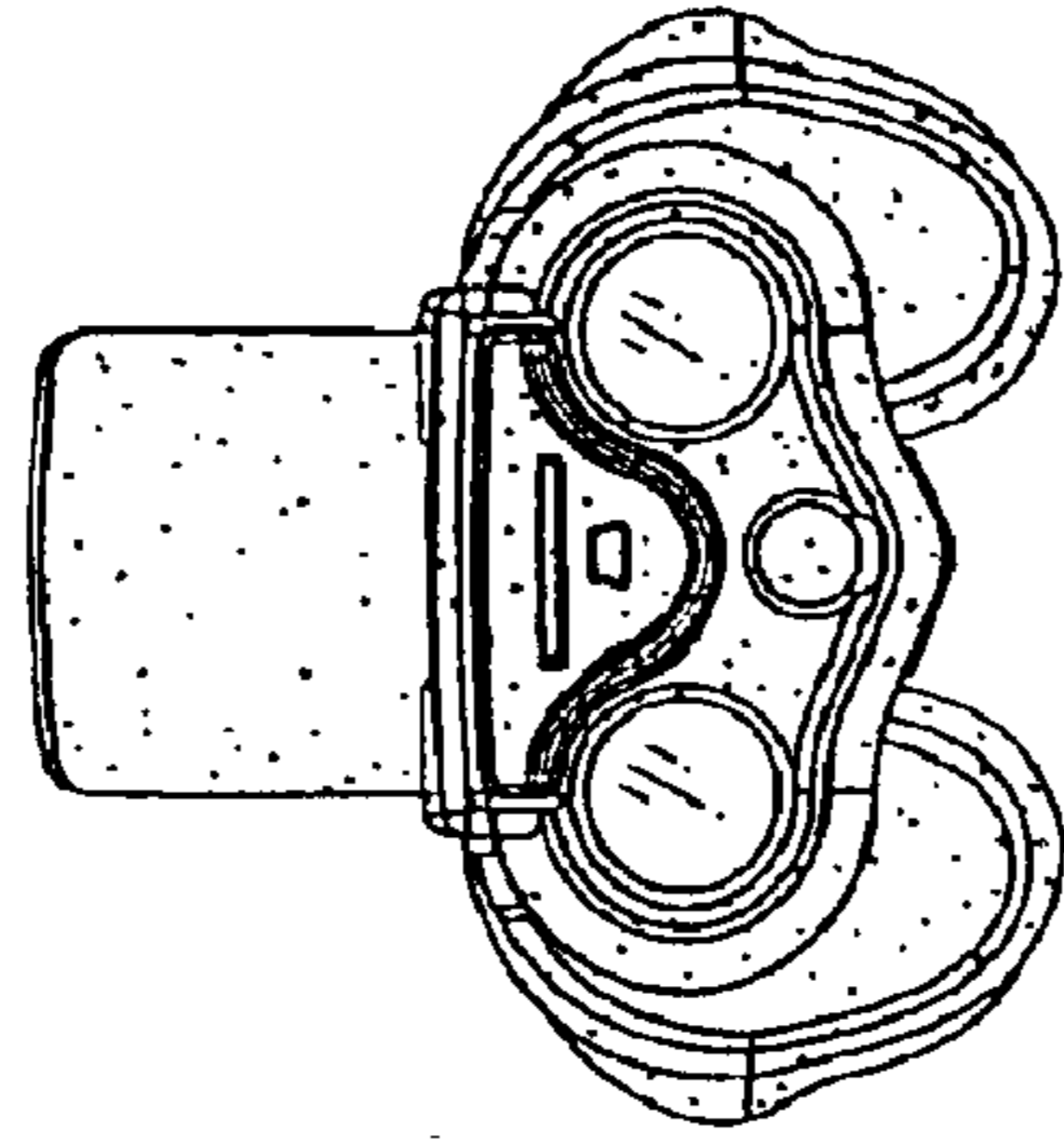


FIG. 2

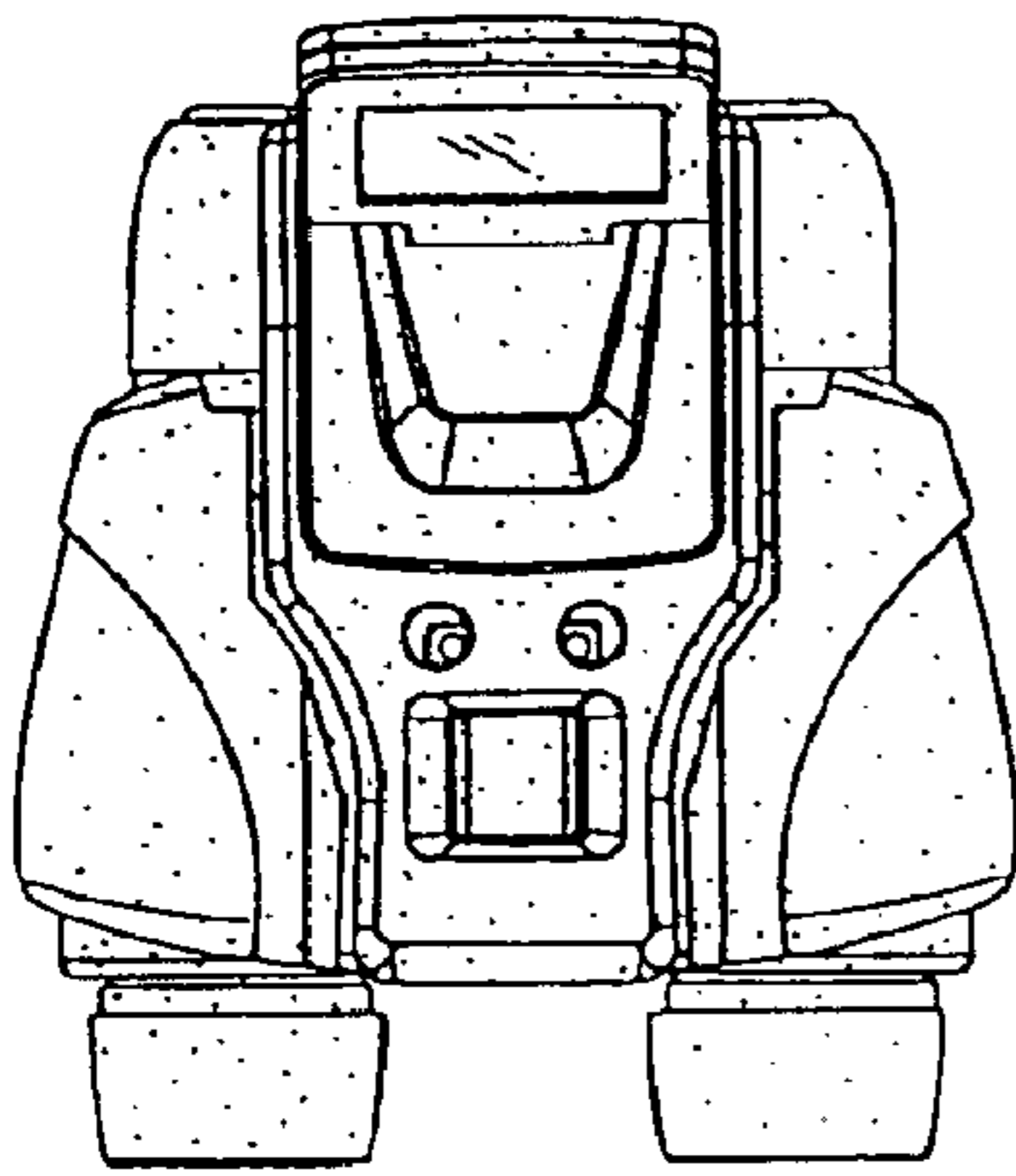


FIG. 3

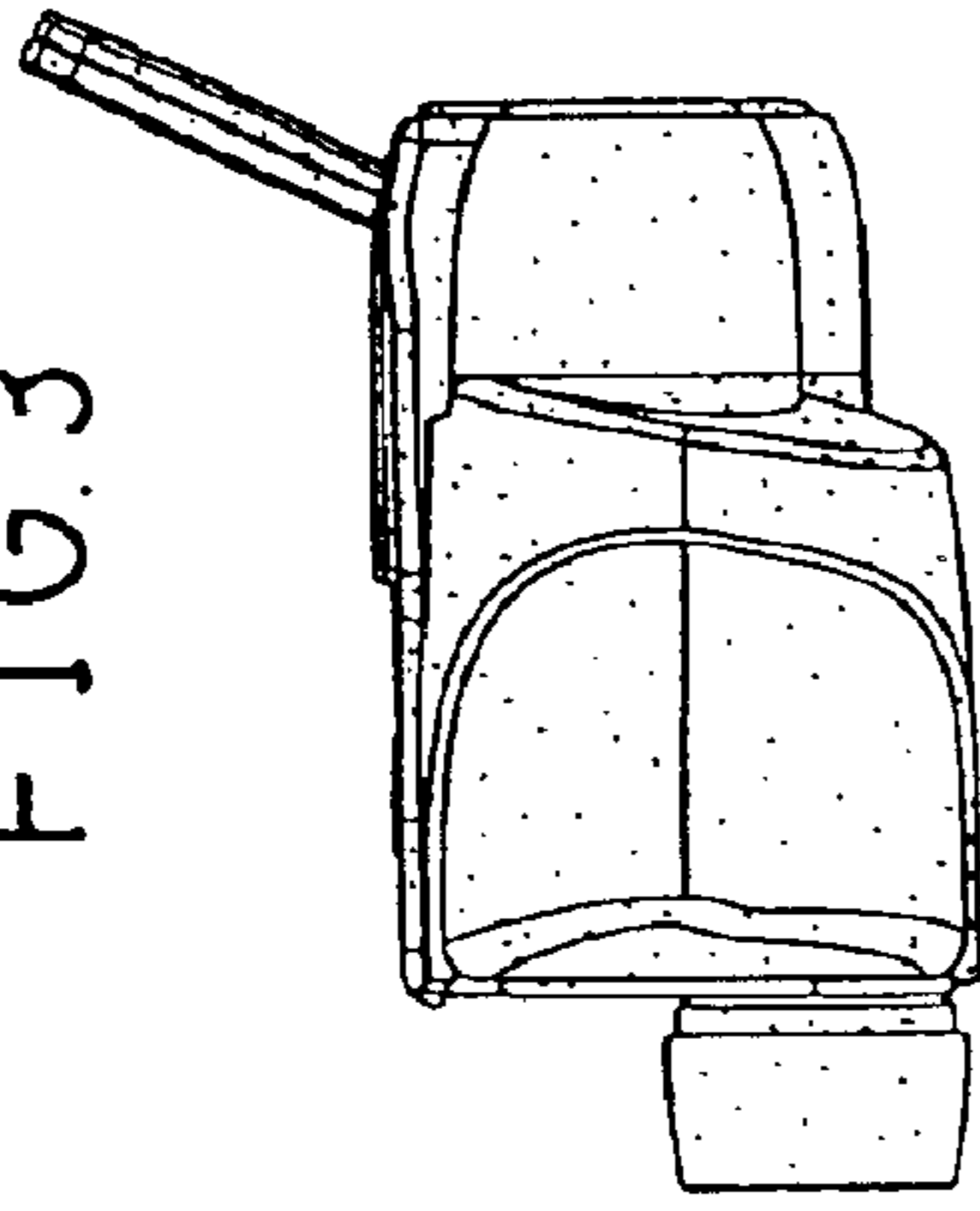


FIG. 4

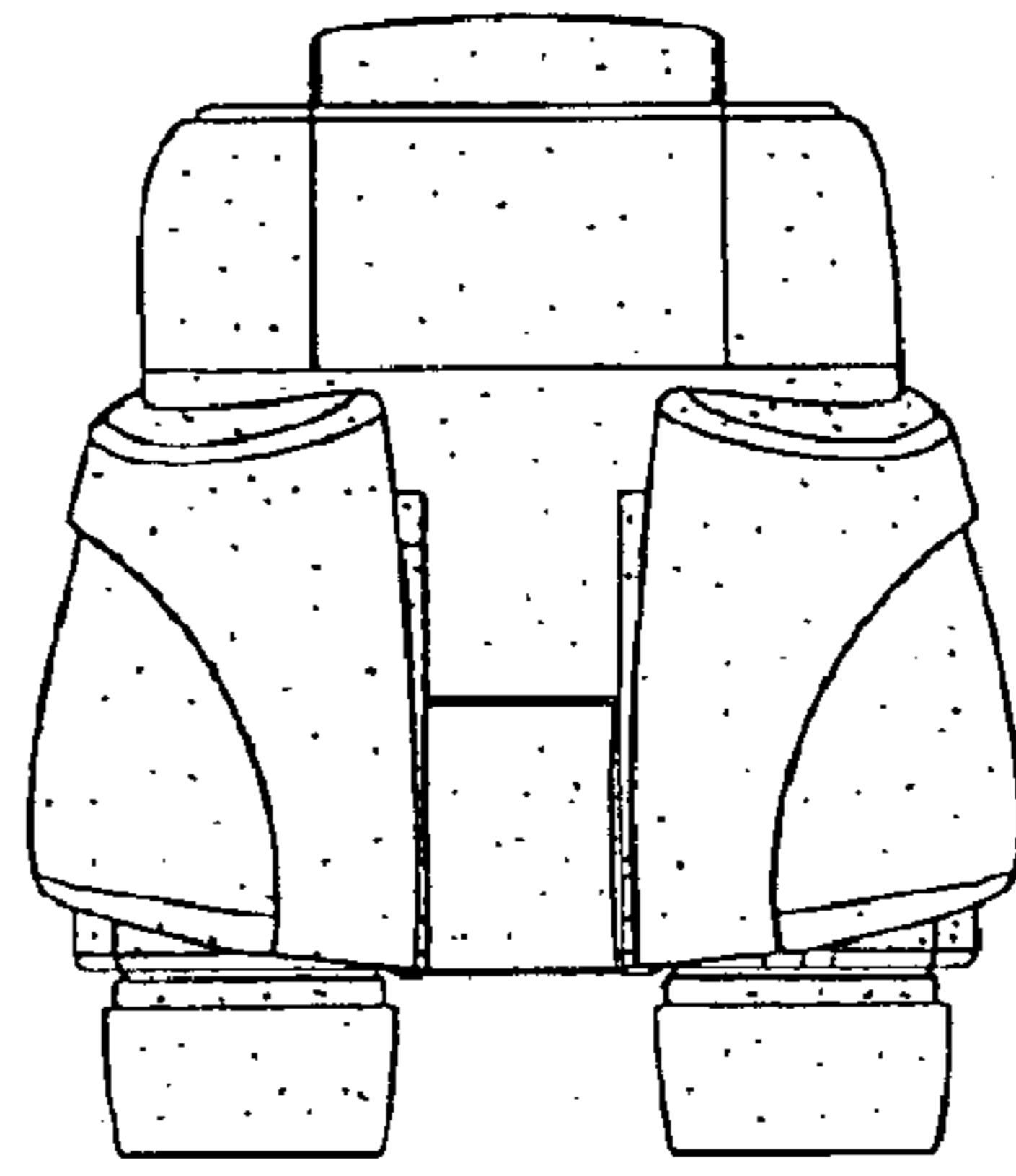


FIG. 5

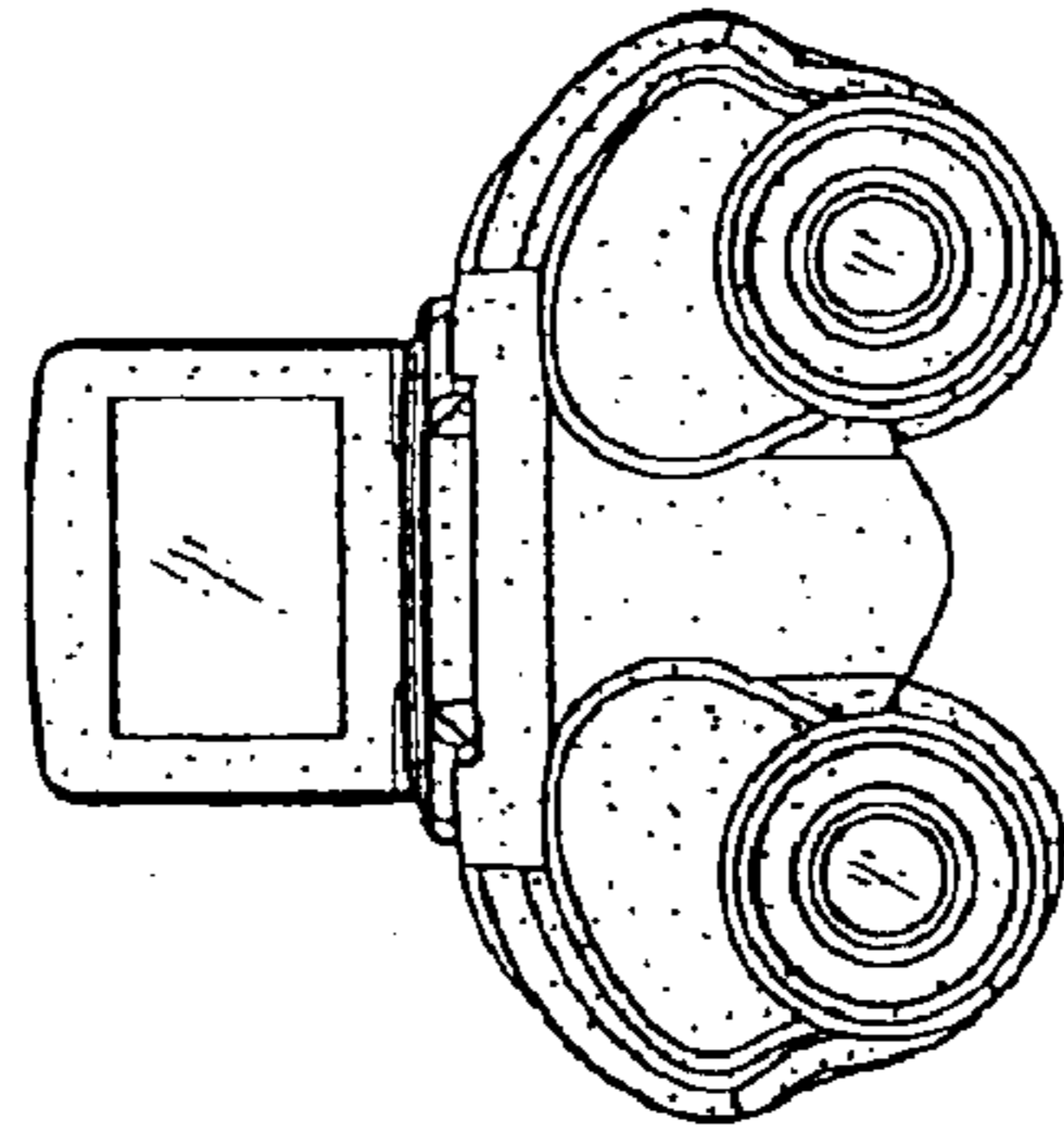


FIG. 6

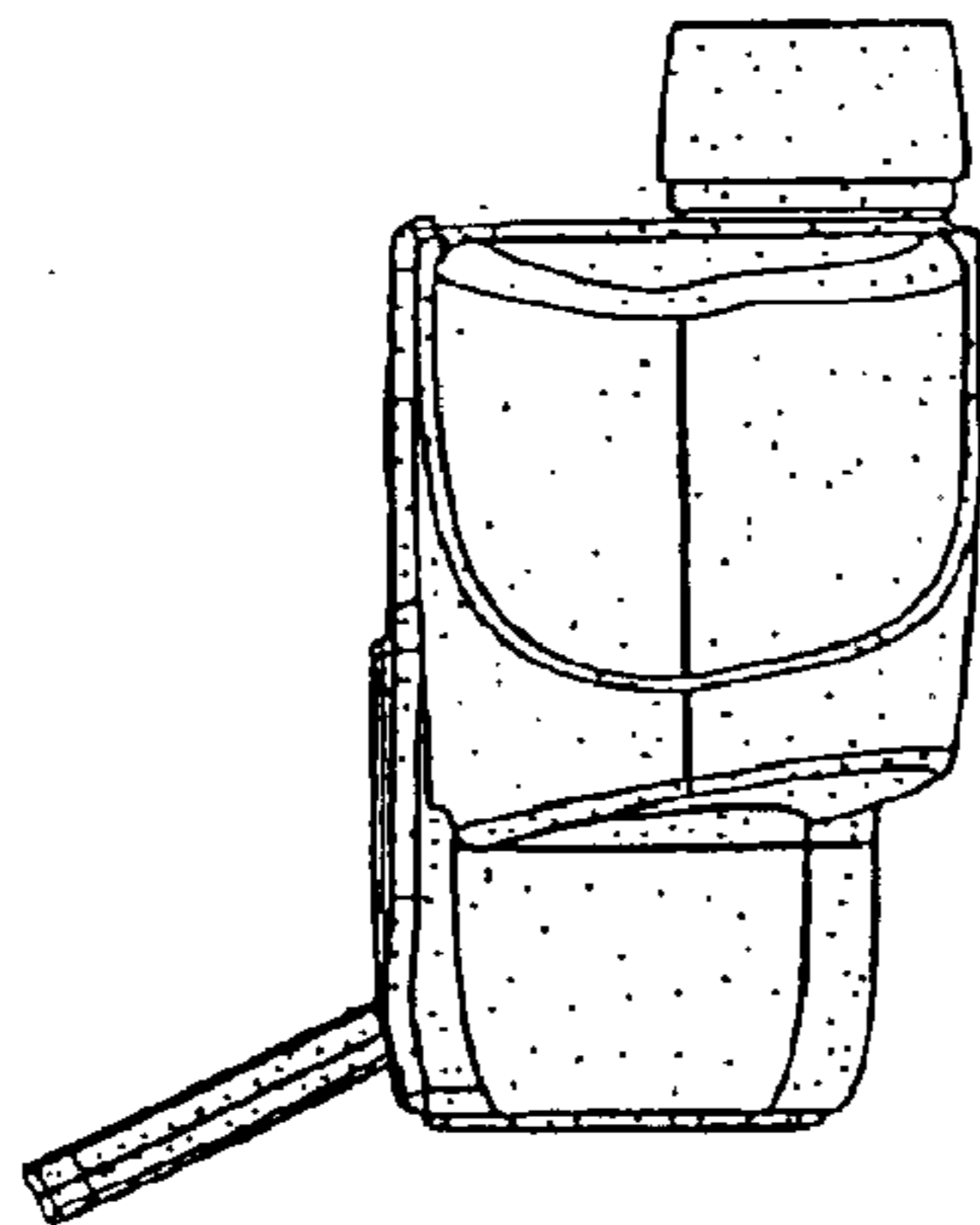


FIG. 7