



US00D504141S

(12) **United States Design Patent**
Charland et al.

(10) **Patent No.: US D504,141 S**
(45) **Date of Patent: ** Apr. 19, 2005**

(54) **DRIVER DRILL BIT**

Primary Examiner—Antoine D. Davis

(76) Inventors: **Luc Charland**, 1553, O'Reilly Street,
Sherbrooke, Quebec (CA), J1J 1C2;
Roger Charland, 1553, O'Reilly Street,
Sherbrooke, Quebec (CA), J1J 1C2

(57) **CLAIM**

The ornamental design for a driver drill bit, as shown and described.

(**) Term: **14 Years**

DESCRIPTION

(21) Appl. No.: **29/183,429**

FIG. 1 is a perspective view of a driver drill bit according to the present design;

(22) Filed: **Jun. 12, 2003**

FIG. 2 is a top plan view of the driver drill bit of FIG. 1;

(51) **LOC (7) Cl. 15-09**

FIG. 3 is a front view of the driver drill bit of FIG. 1;

(52) **U.S. Cl. D15/139**

FIG. 4 is a left side view of the driver drill bit of FIG. 1;

(58) **Field of Search** D15/139; 175/57,
175/257-259, 266, 292, 296, 300, 385,
413-415

FIG. 5 is a back view of the driver drill bit of FIG. 1;

FIG. 6 is a right side view of the driver drill bit of FIG. 1;

FIG. 7 is a perspective view of the driver drill bit of FIG. 1 in co-operation with a crown-bit,

(56) **References Cited**

FIG. 8 is a perspective view of the driver drill bit according to a variant of the present design;

U.S. PATENT DOCUMENTS

FIG. 9 is a top plan view of the driver drill bit of FIG. 8;

D416,029 S * 11/1999 Cosic D15/139

FIG. 10 is a front view of the driver drill bit of FIG. 8;

FOREIGN PATENT DOCUMENTS

FIG. 11 is a left side view of the driver drill bit of FIG. 8;

EP 0 358 786 A1 3/1990

FIG. 12 is a back view of the driver drill bit of FIG. 8; and,

OTHER PUBLICATIONS

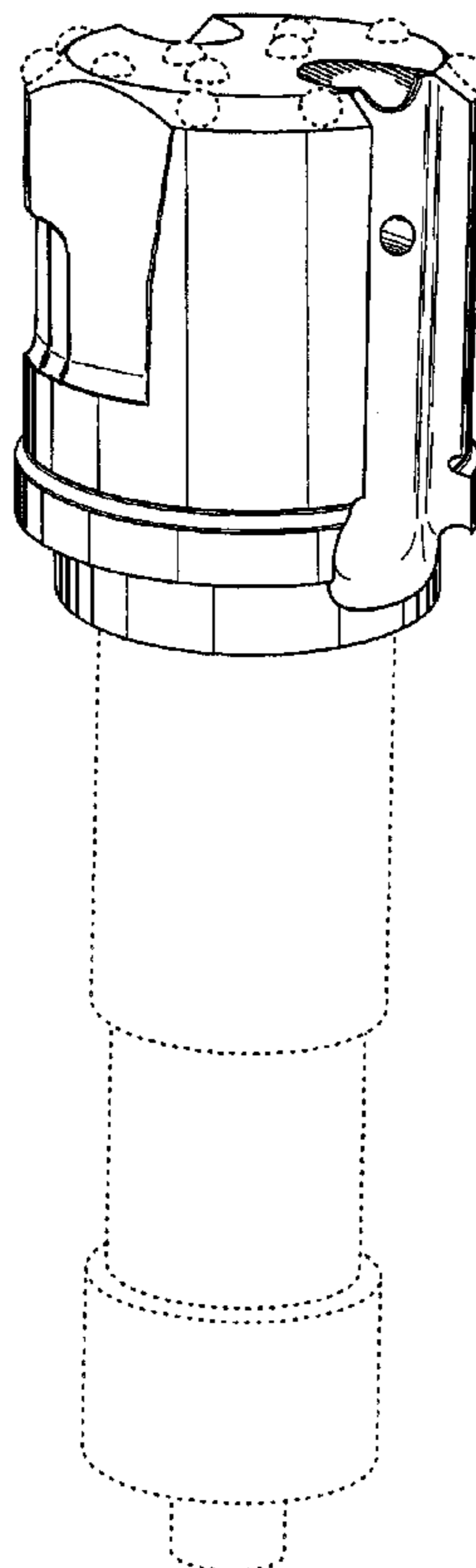
FIG. 13 is a right side view of the driver drill bit of Figure wherein the broken lines illustrate components that form no part of the design.

Concentrix Overburden Drilling System.
Outils de forage Sandvik Coromant TUBEX.

The broken lines in the figures are for illustrative purposes only and form no part of the claimed design.

* cited by examiner

1 Claim, 13 Drawing Sheets



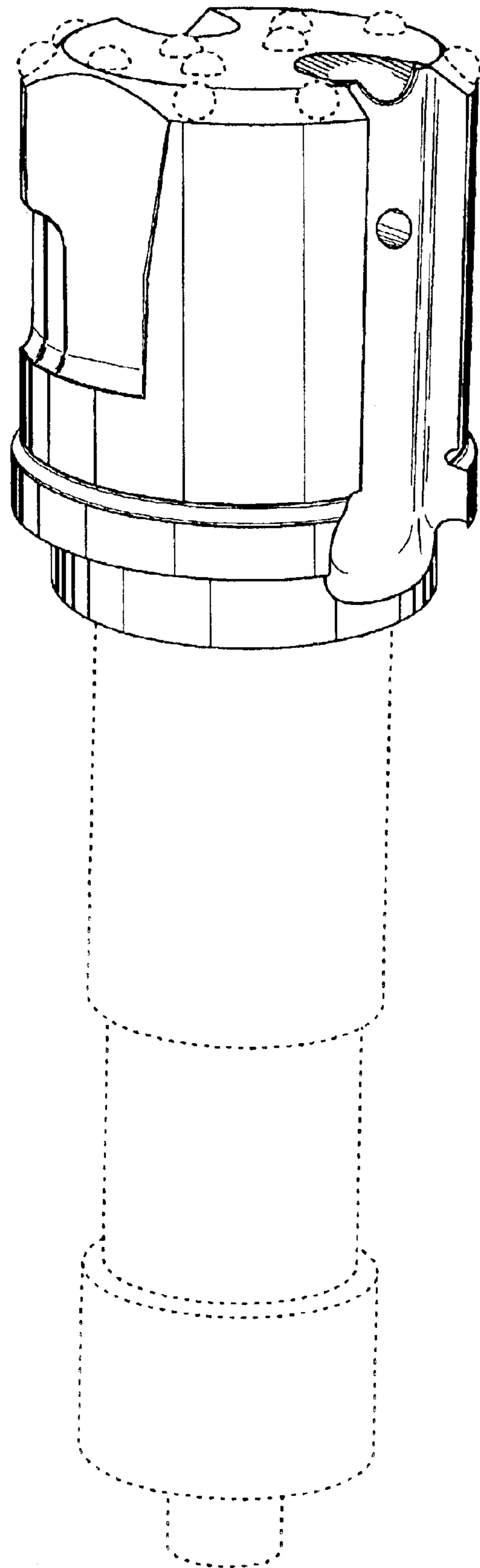


FIG. 1

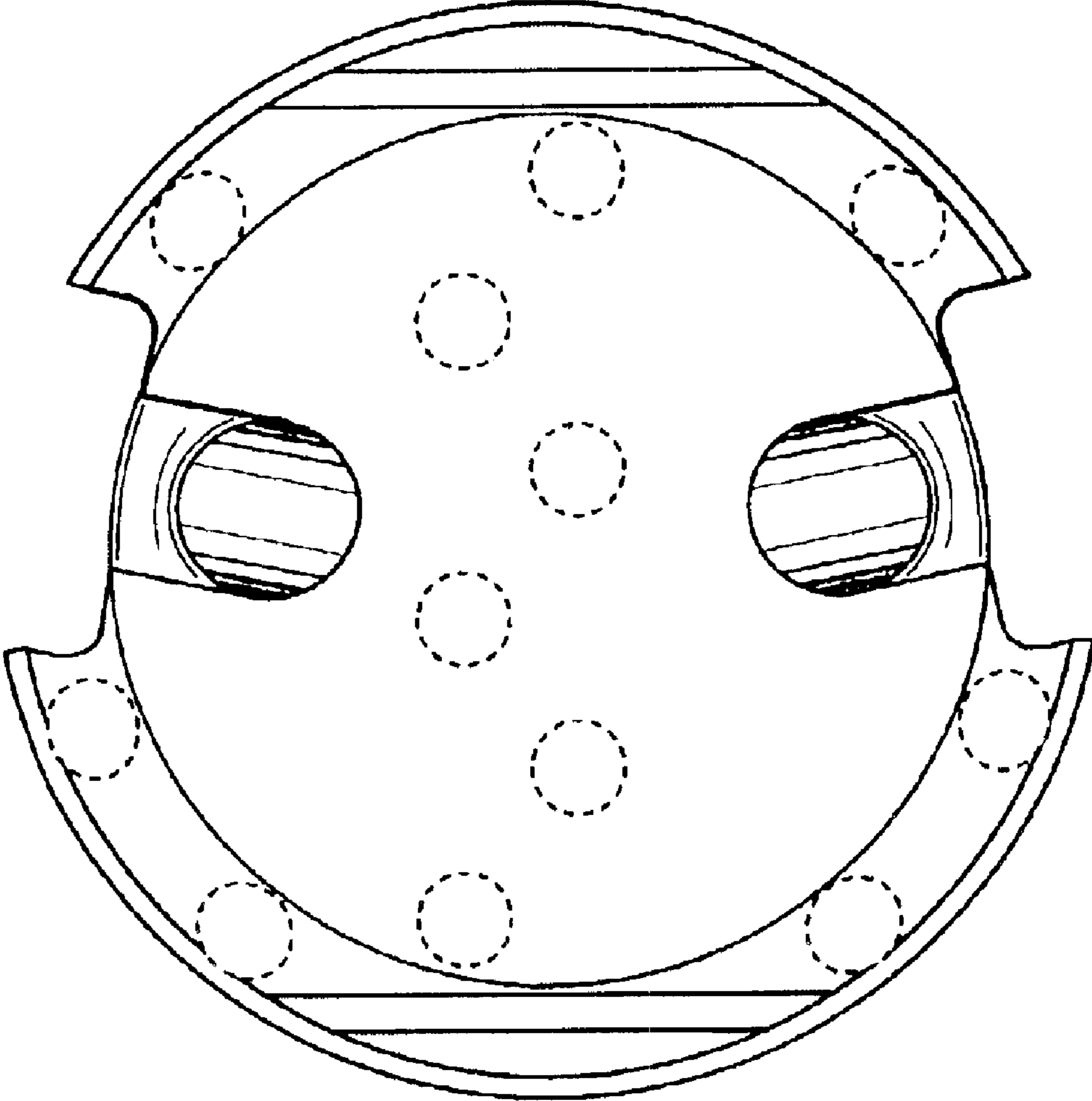


FIG. 2

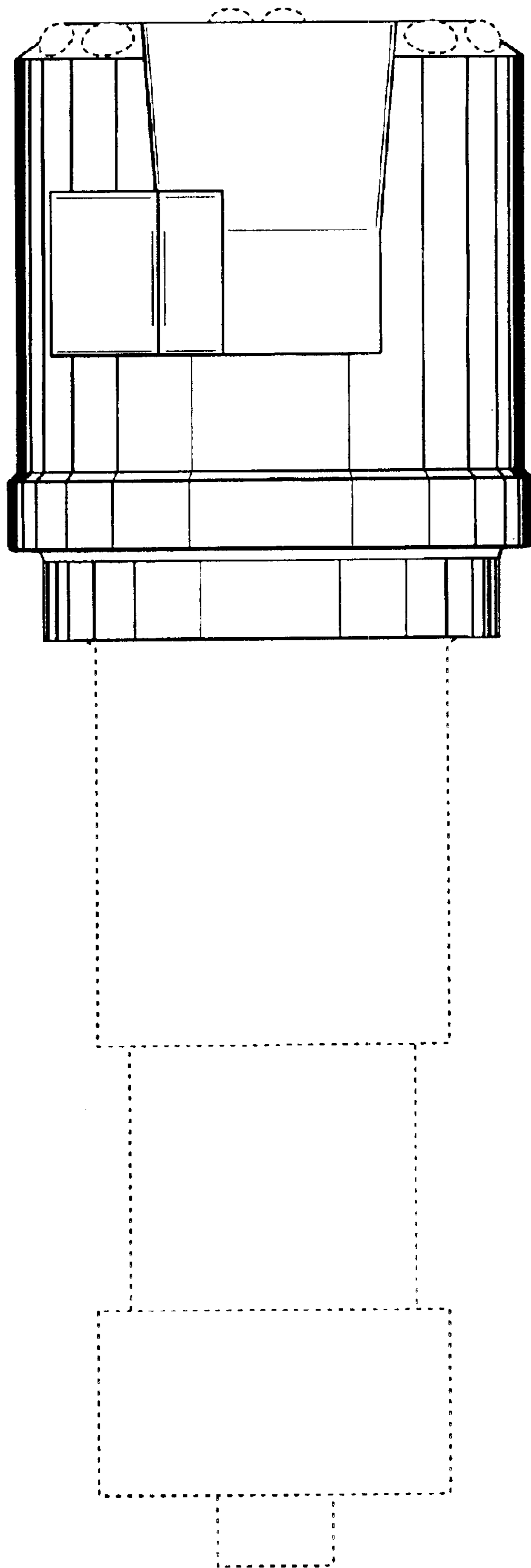


FIG. 3

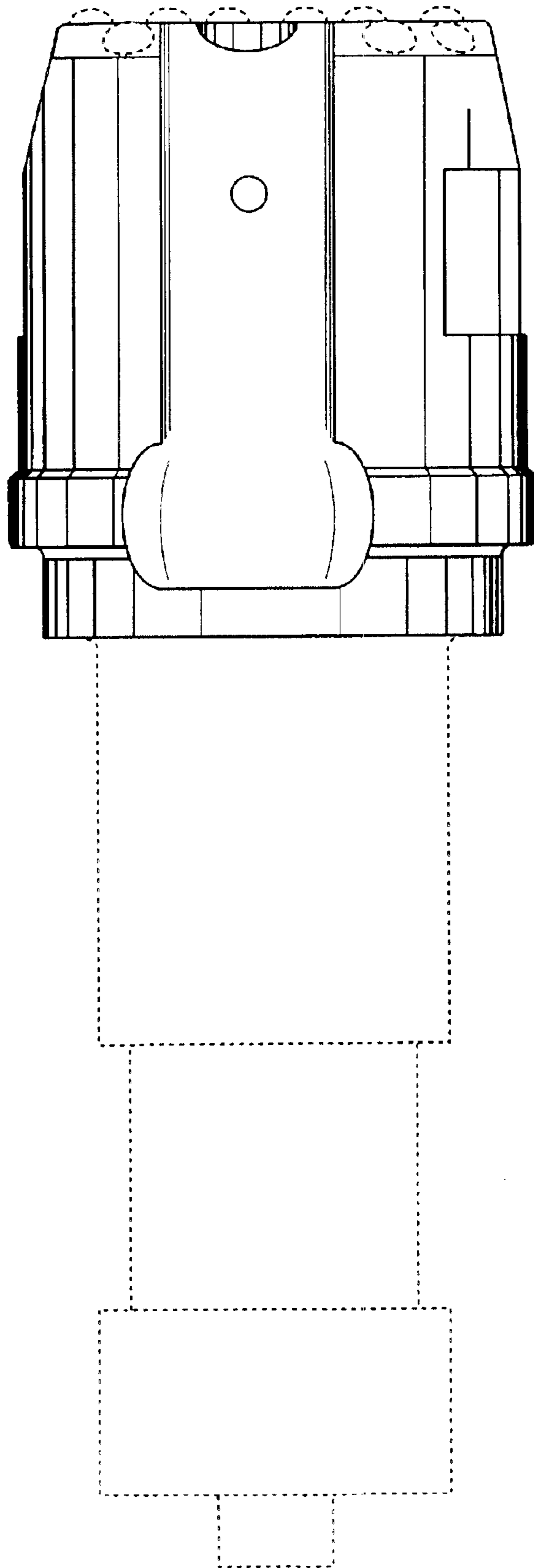


FIG. 4

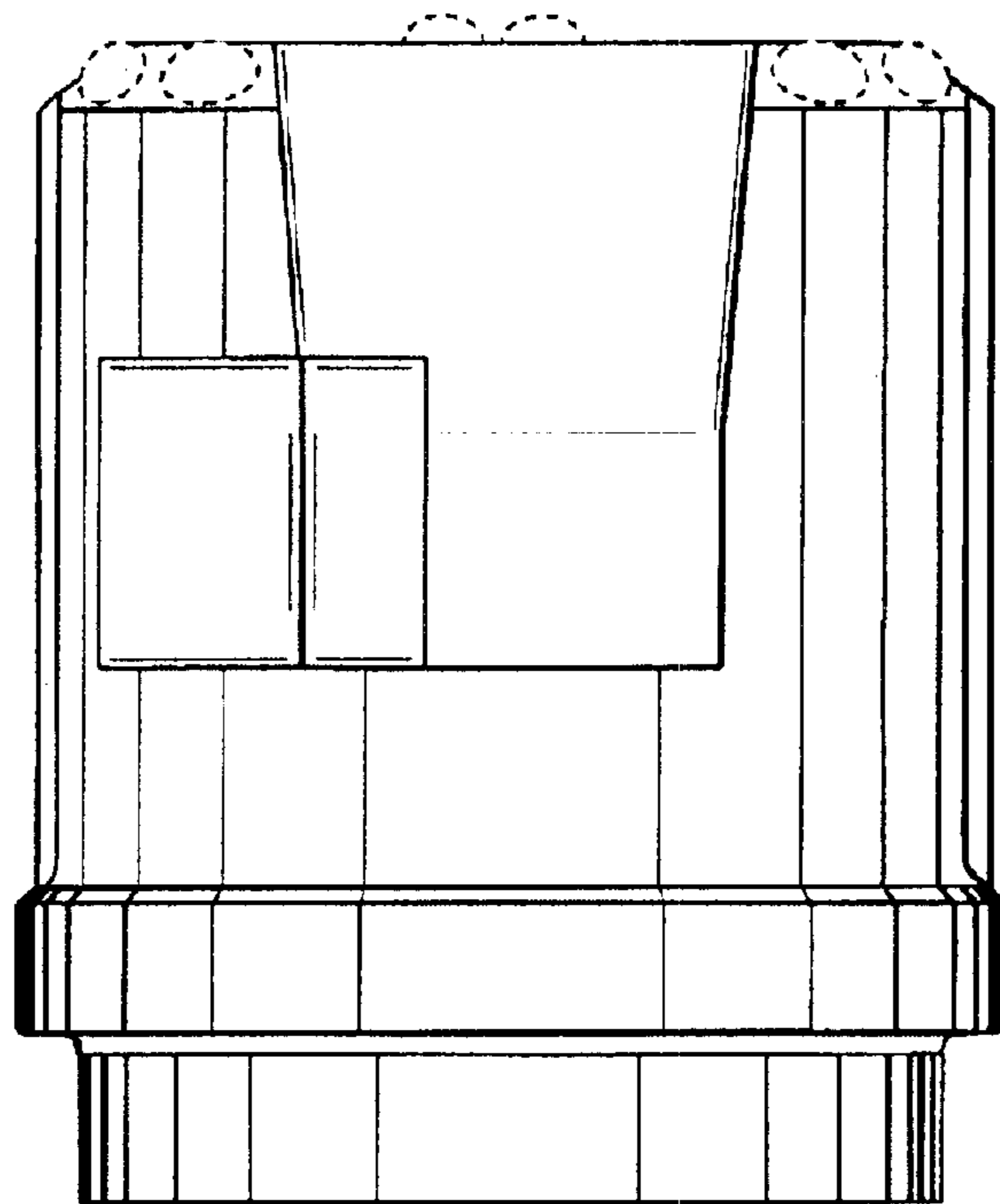
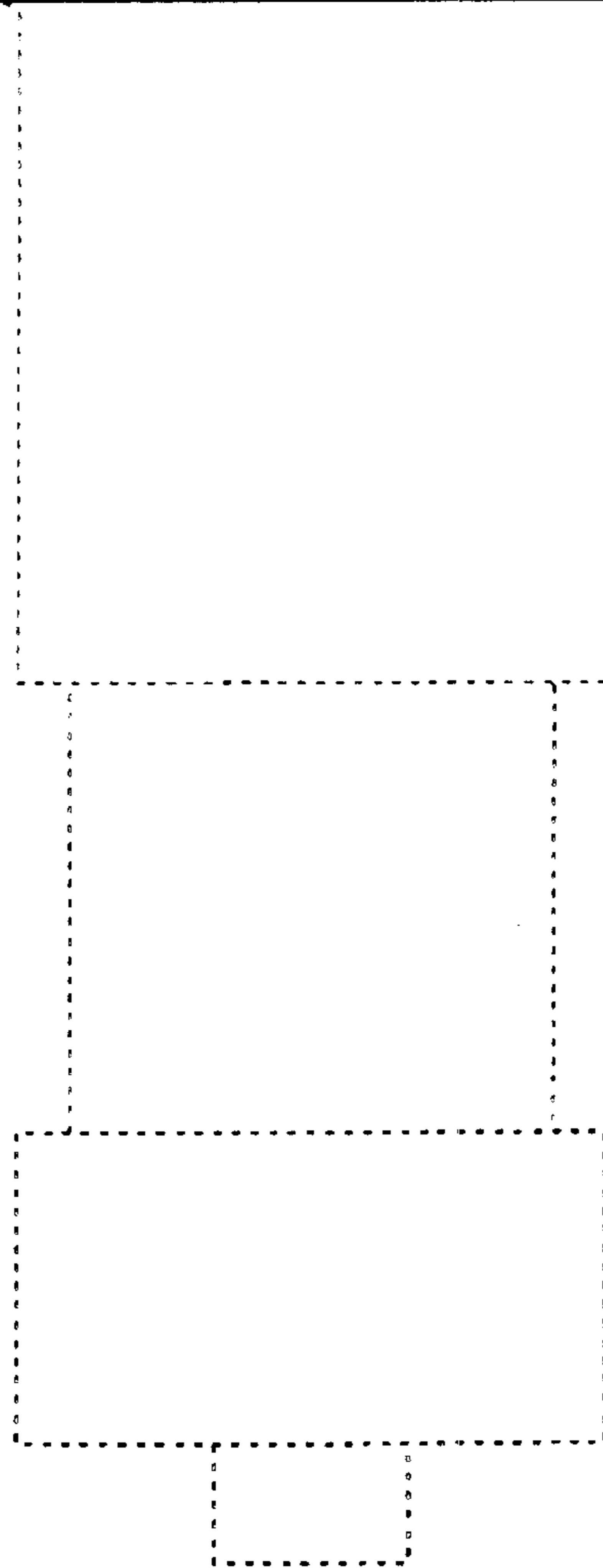


FIG. 5



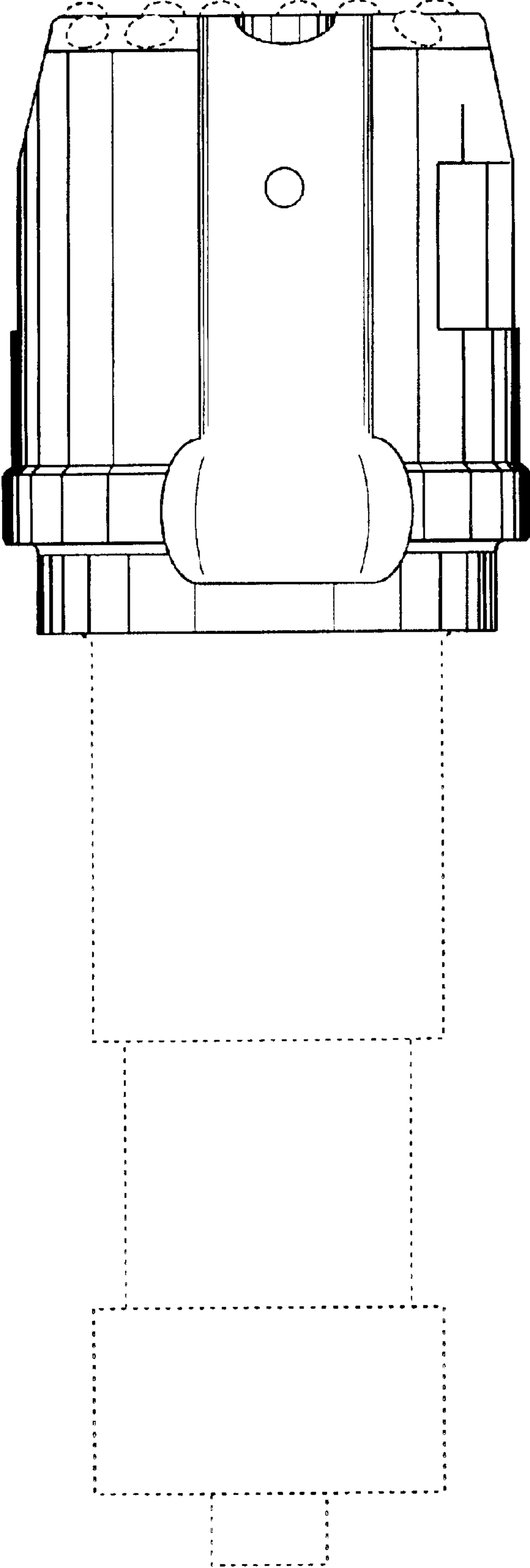


FIG. 6

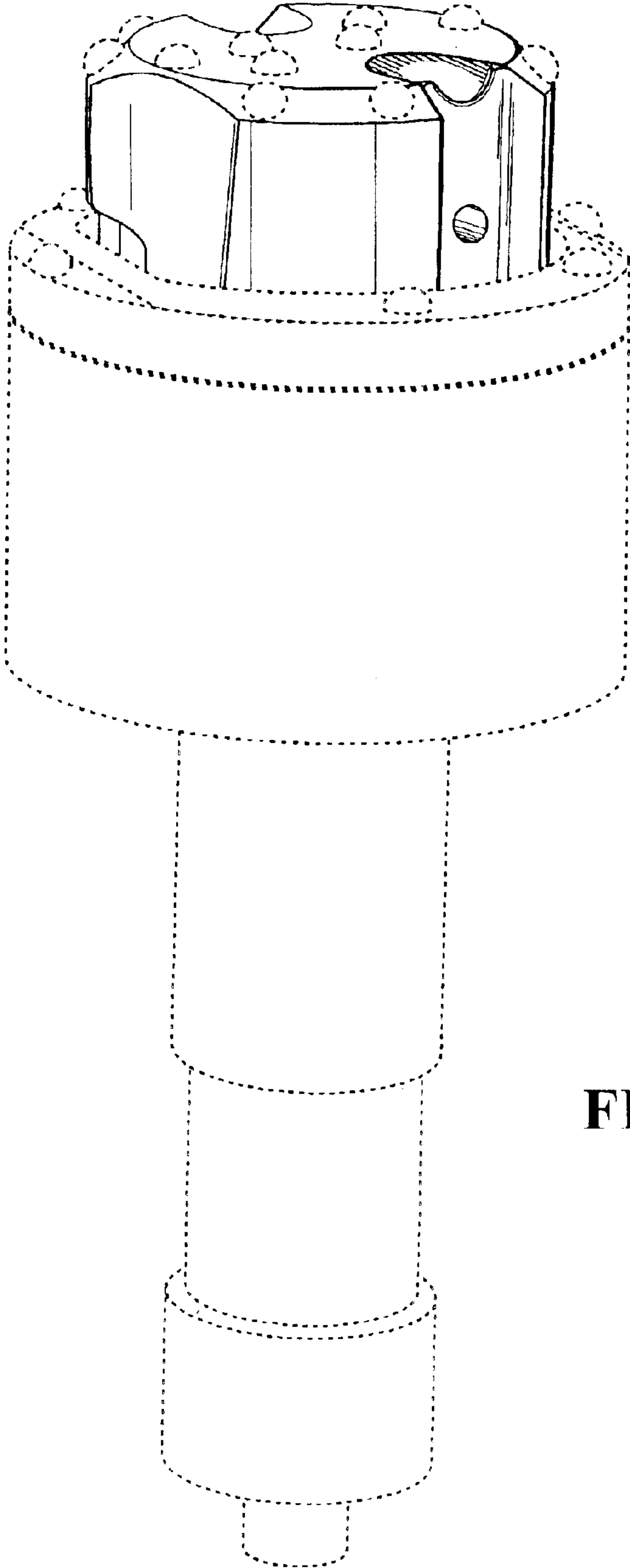


FIG. 7

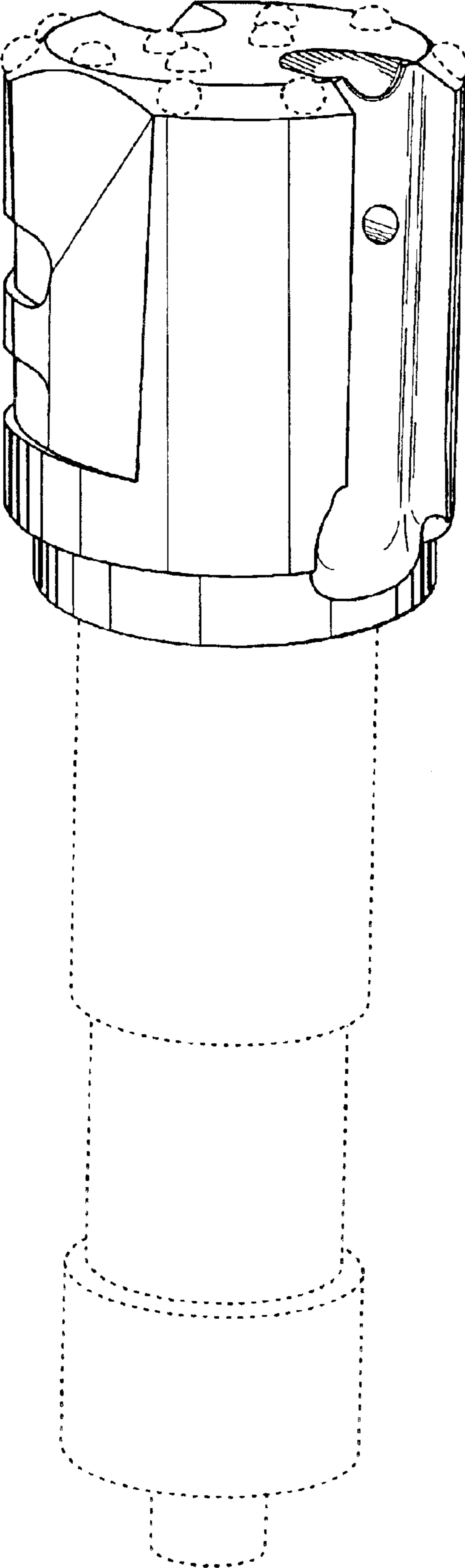


FIG. 8

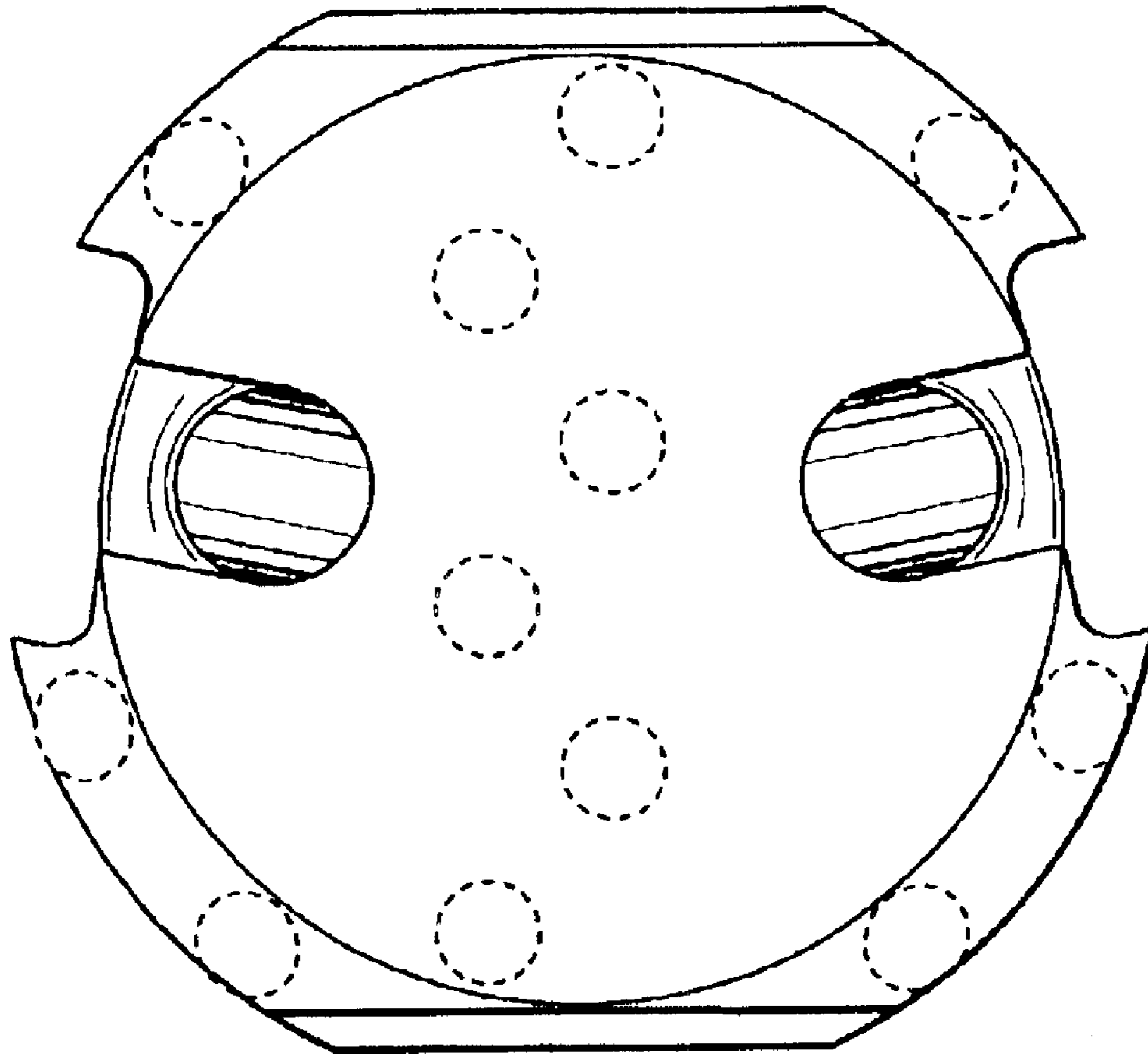


FIG. 9

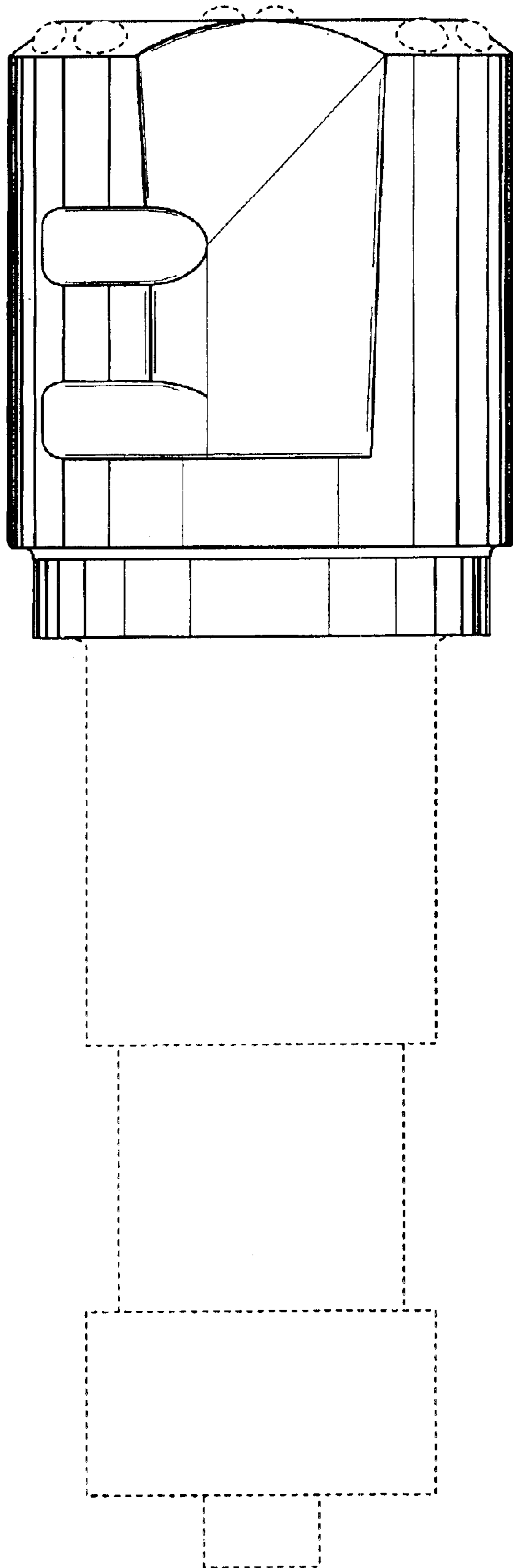


FIG. 10

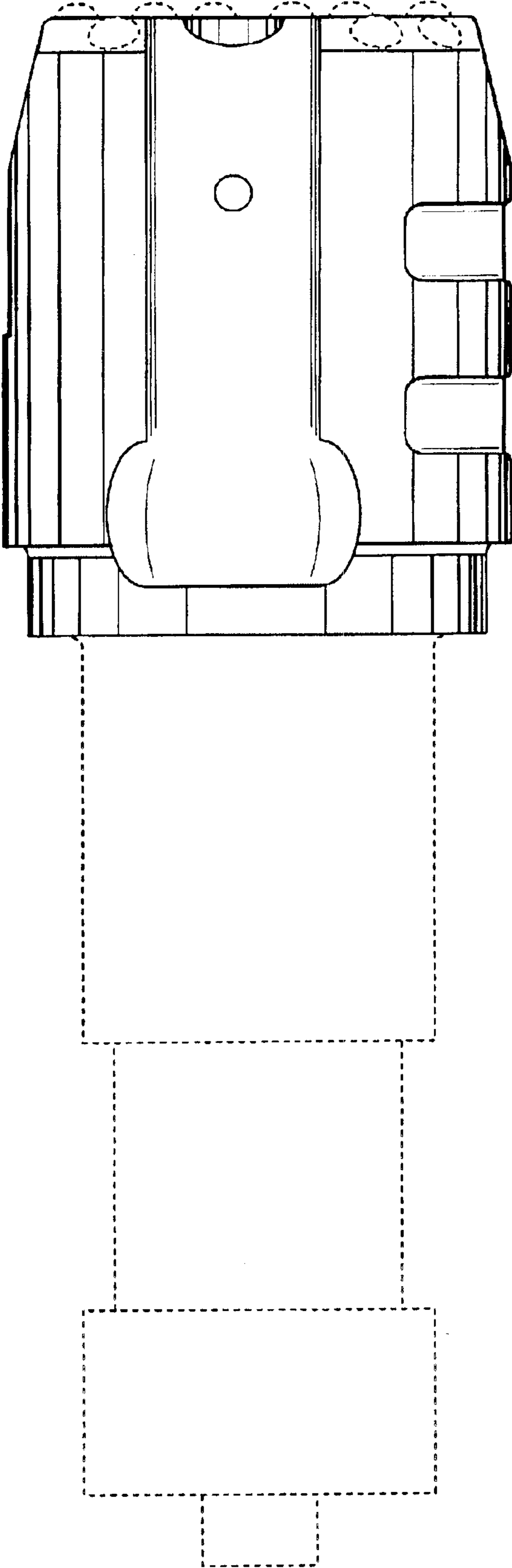


FIG. 11

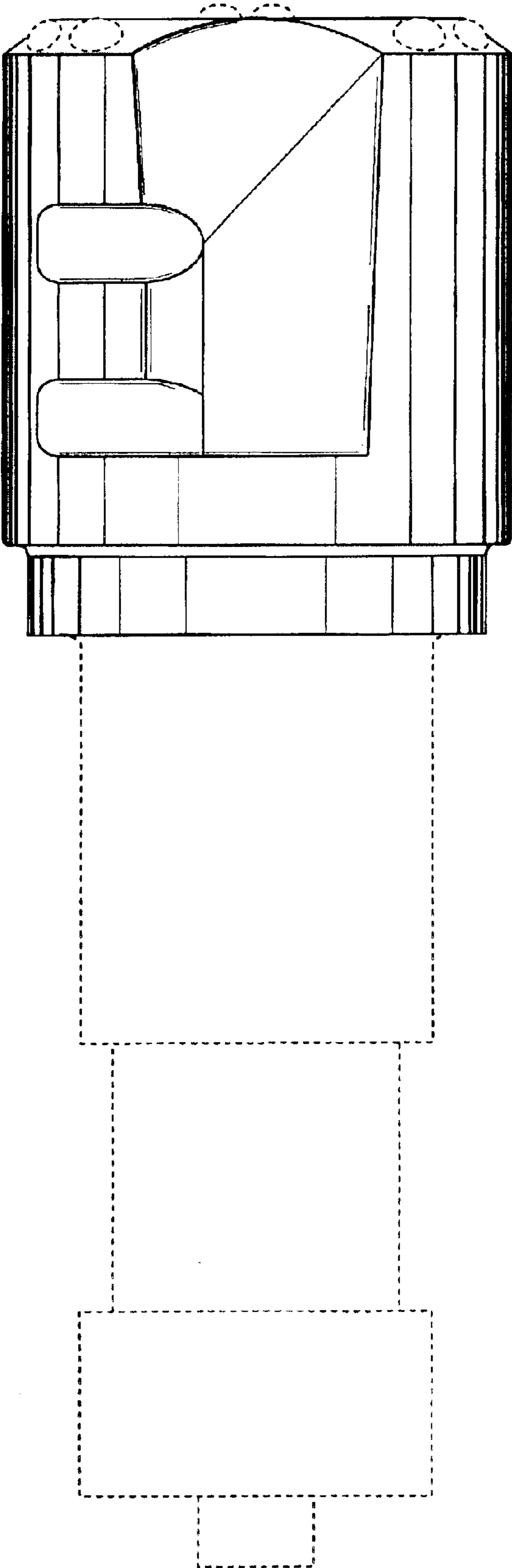


FIG. 12

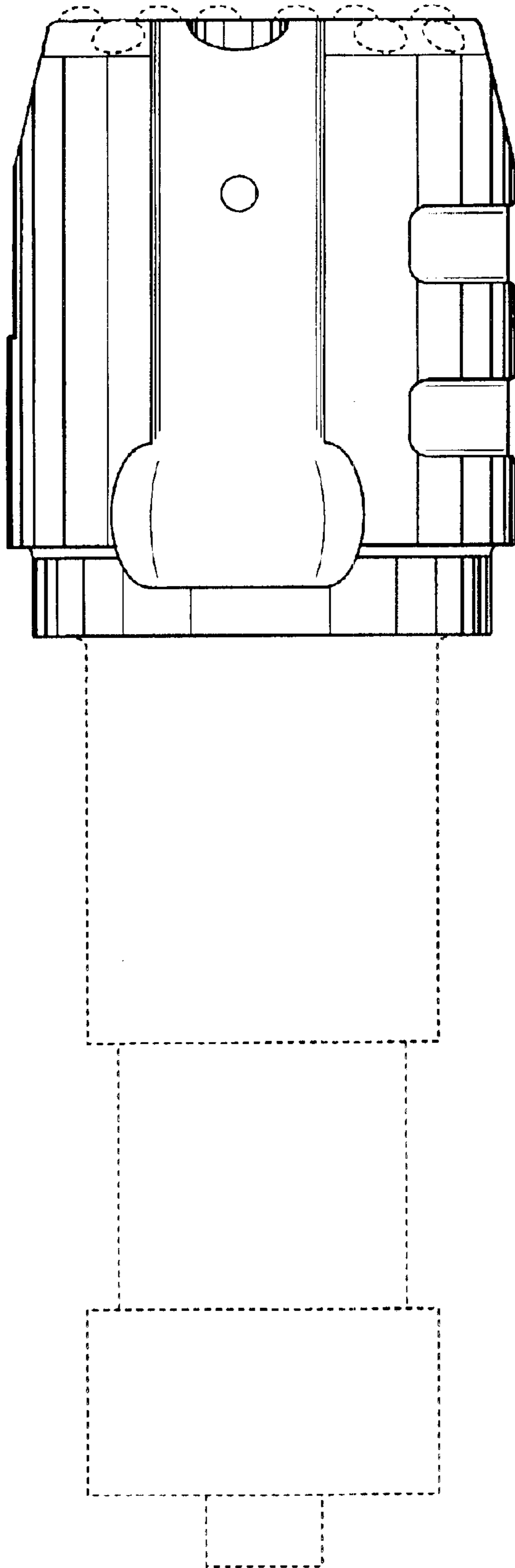


FIG. 13