

US00D504140S

(12) **United States Design Patent**
Lai

(10) **Patent No.:** **US D504,140 S**
(45) **Date of Patent:** **** Apr. 19, 2005**

(54) **WOODWORKING LATHE DEVICE**

6,561,062 B1 * 5/2003 Miller 82/115
6,640,849 B1 * 11/2003 Liao 82/132

(76) Inventor: **Li-Chin Lai**, 235 Chung-Ho Box 8-24,
Taipei (TW)

* cited by examiner

(**) Term: **14 Years**

Primary Examiner—Antoine D. Davis

(21) Appl. No.: **29/195,857**

(57) **CLAIM**

(22) Filed: **Dec. 19, 2003**

The ornamental design for a woodworking lathe device, as shown and described.

(51) **LOC (7) Cl.** **15-09**

DESCRIPTION

(52) **U.S. Cl.** **D15/130**

(58) **Field of Search** D15/130; 82/112–121,
82/128, 132, 142, 143, 148, 162, 903; 144/16,
114; 142/7

FIG. 1 is a perspective view of a woodworking lathe device showing my new design.

FIG. 2 is a front elevational view thereof.

FIG. 3 is a right side view thereof.

FIG. 4 is a left side view thereof.

FIG. 5 is a rear elevational view thereof.

FIG. 6 is a top plan view thereof.

FIG. 7 is a bottom plan view thereof; and,

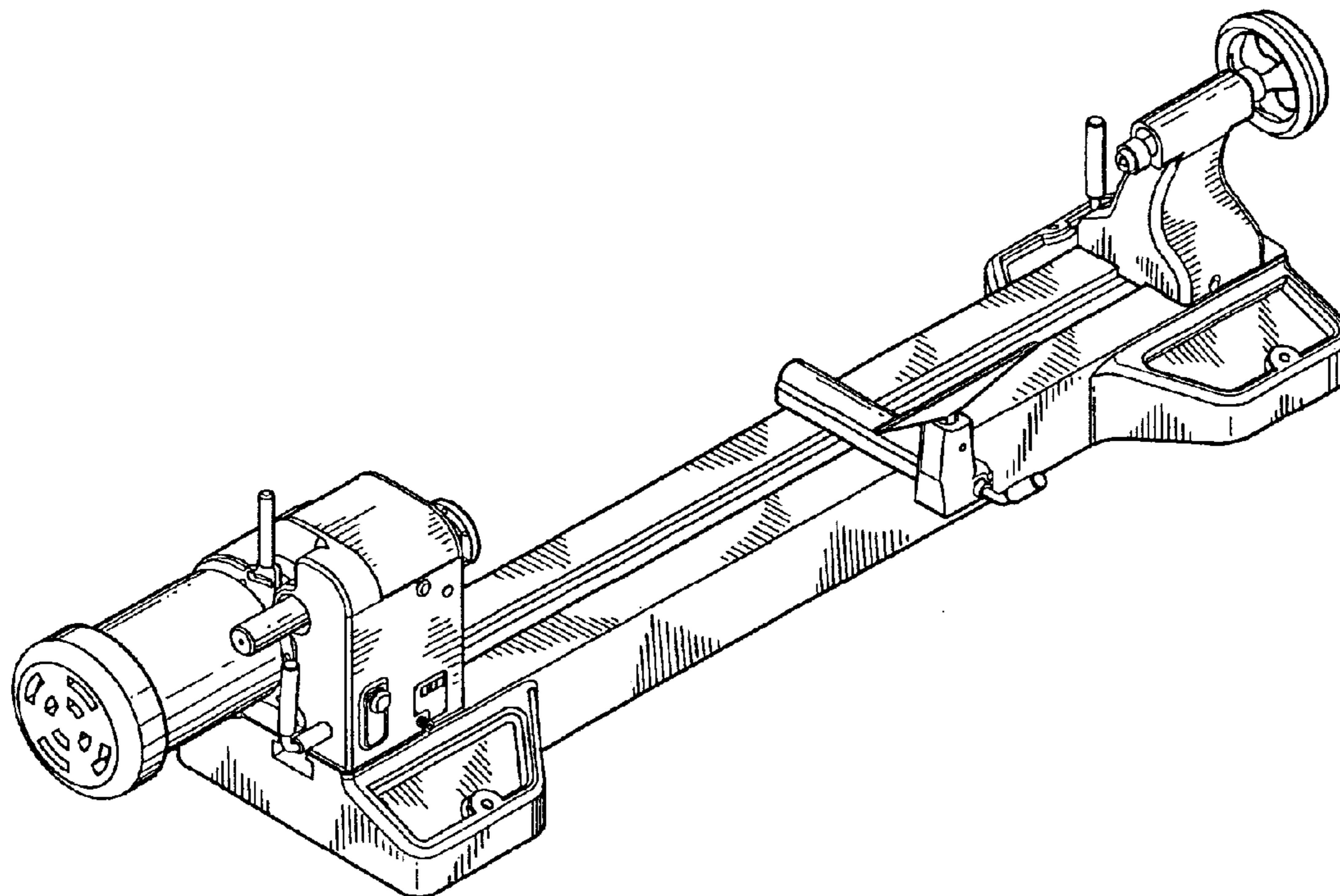
FIG. 8 shows one application of the present invention, where those indicated by dashed lines are not claimed in the present invention.

(56) **References Cited**

U.S. PATENT DOCUMENTS

4,538,488 A	*	9/1985	Arvai	82/115
D309,741 S	*	8/1990	Arehart et al.	D15/130
D338,475 S	*	8/1993	Wilson et al.	D15/130
D367,066 S	*	2/1996	Chen	D15/130
D401,247 S	*	11/1998	Wang	D15/130
D471,924 S	*	3/2003	Wang	D15/130
6,557,444 B1	*	5/2003	Liao	82/117

1 Claim, 7 Drawing Sheets



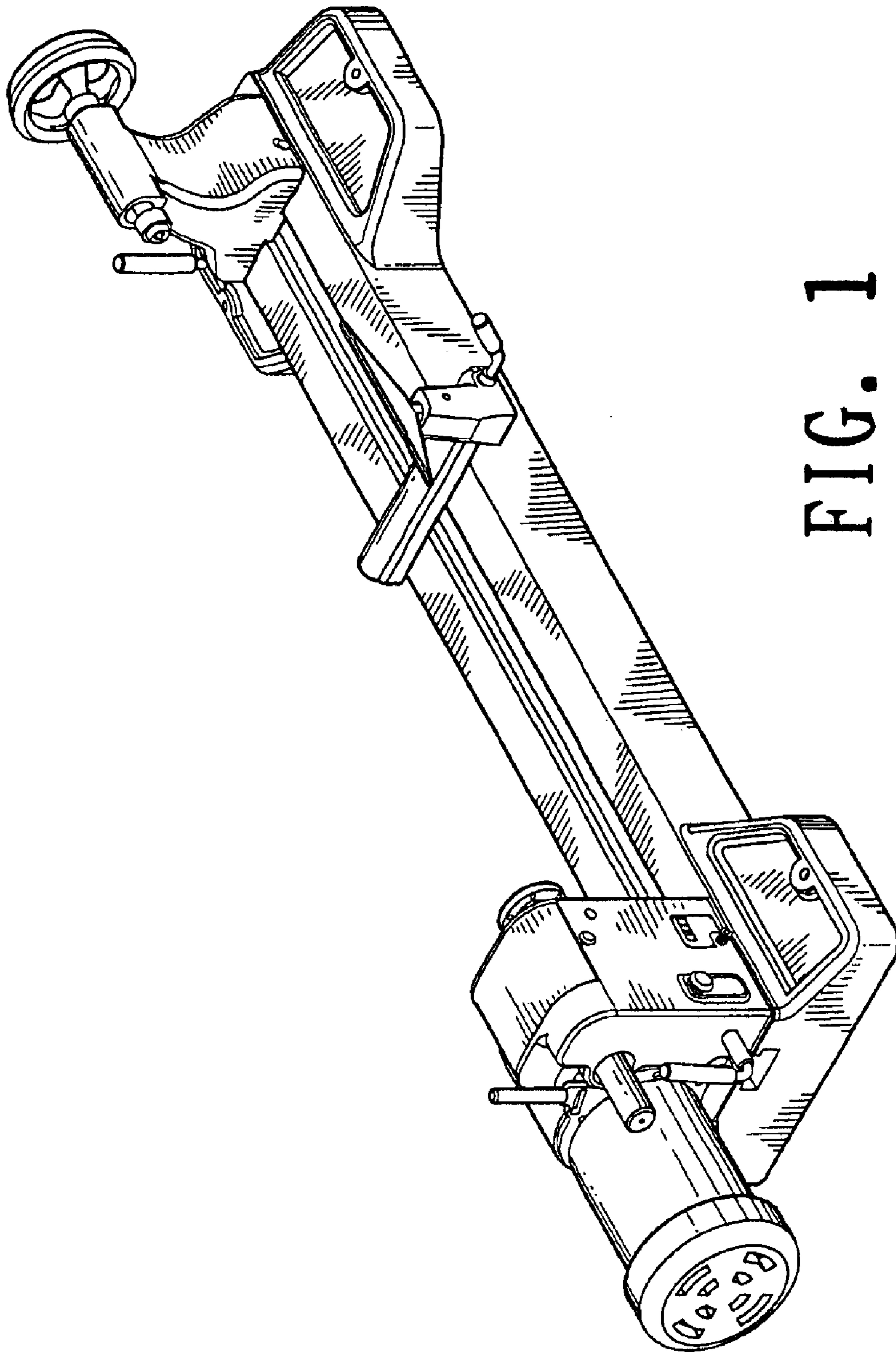


FIG. 1

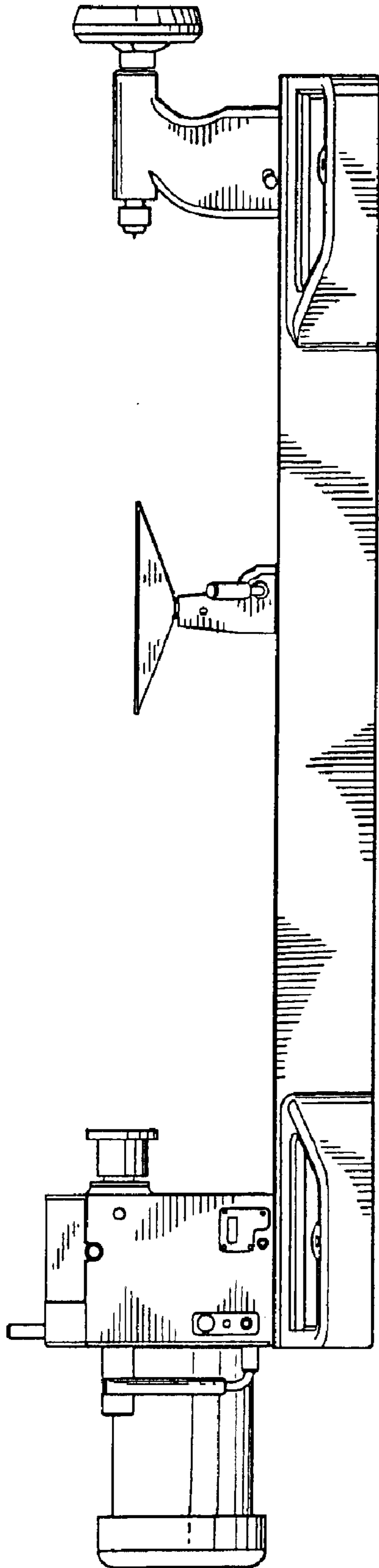


FIG. 2

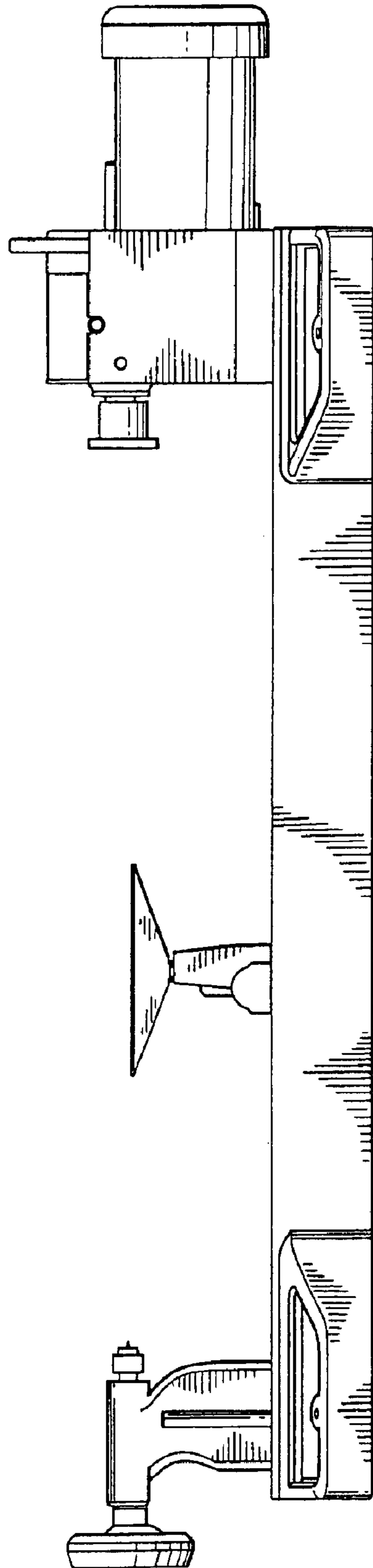


FIG. 3

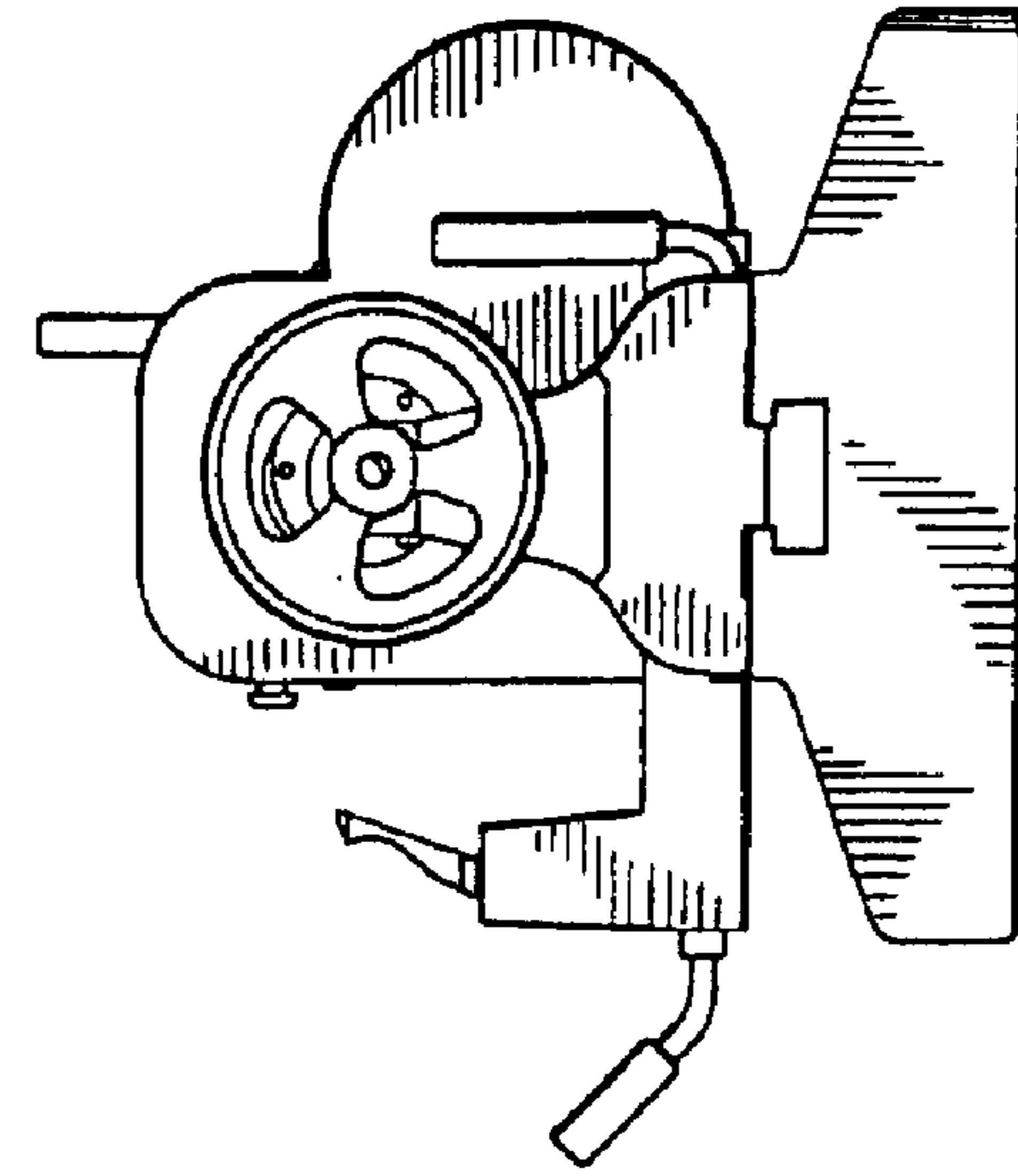


FIG. 5

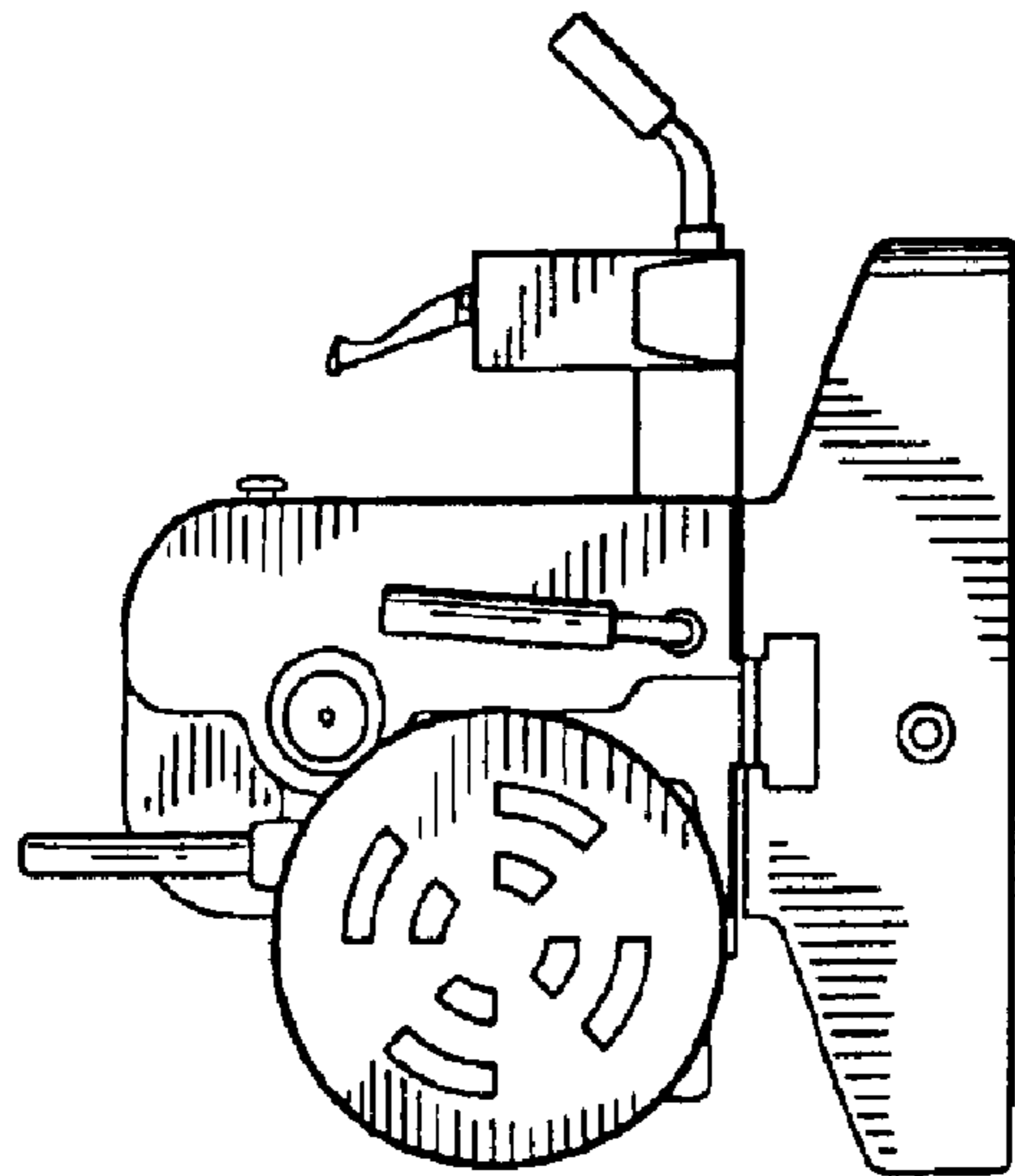


FIG. 4

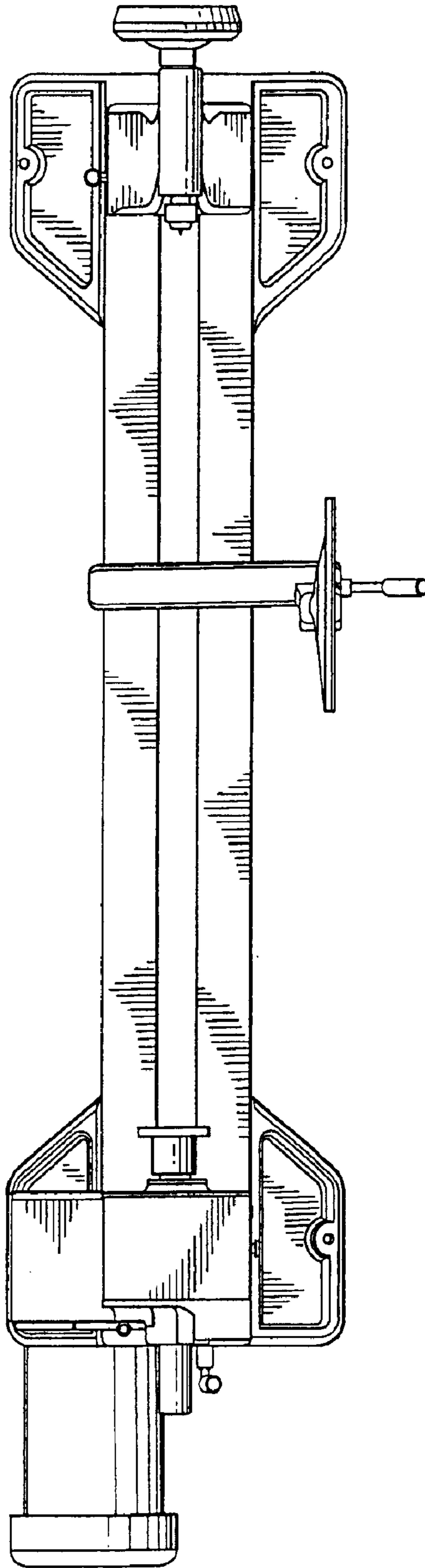


FIG. 6

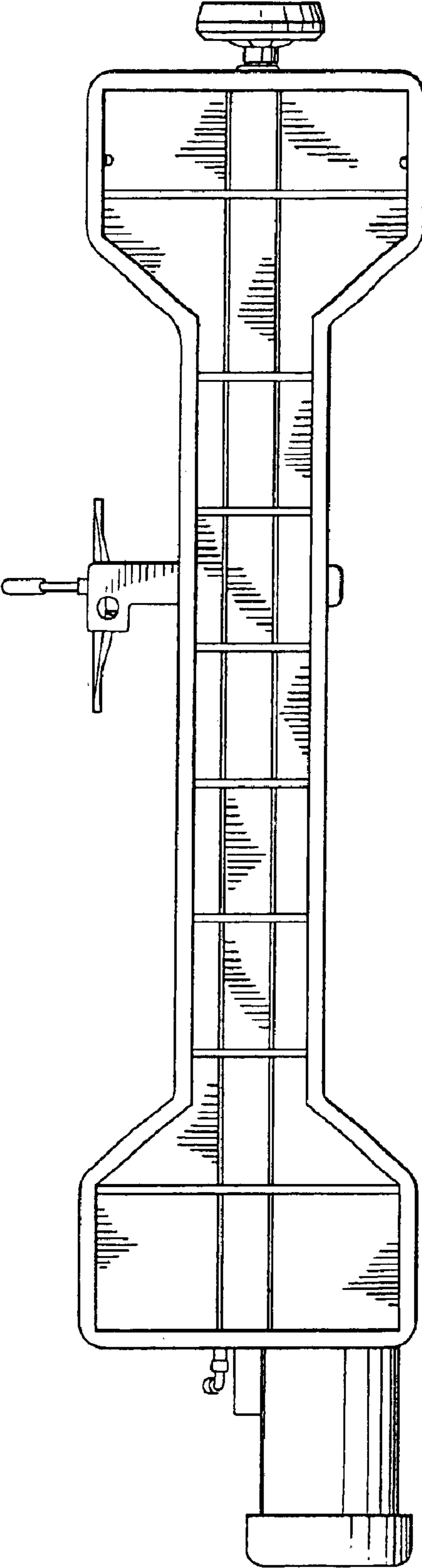


FIG. 7

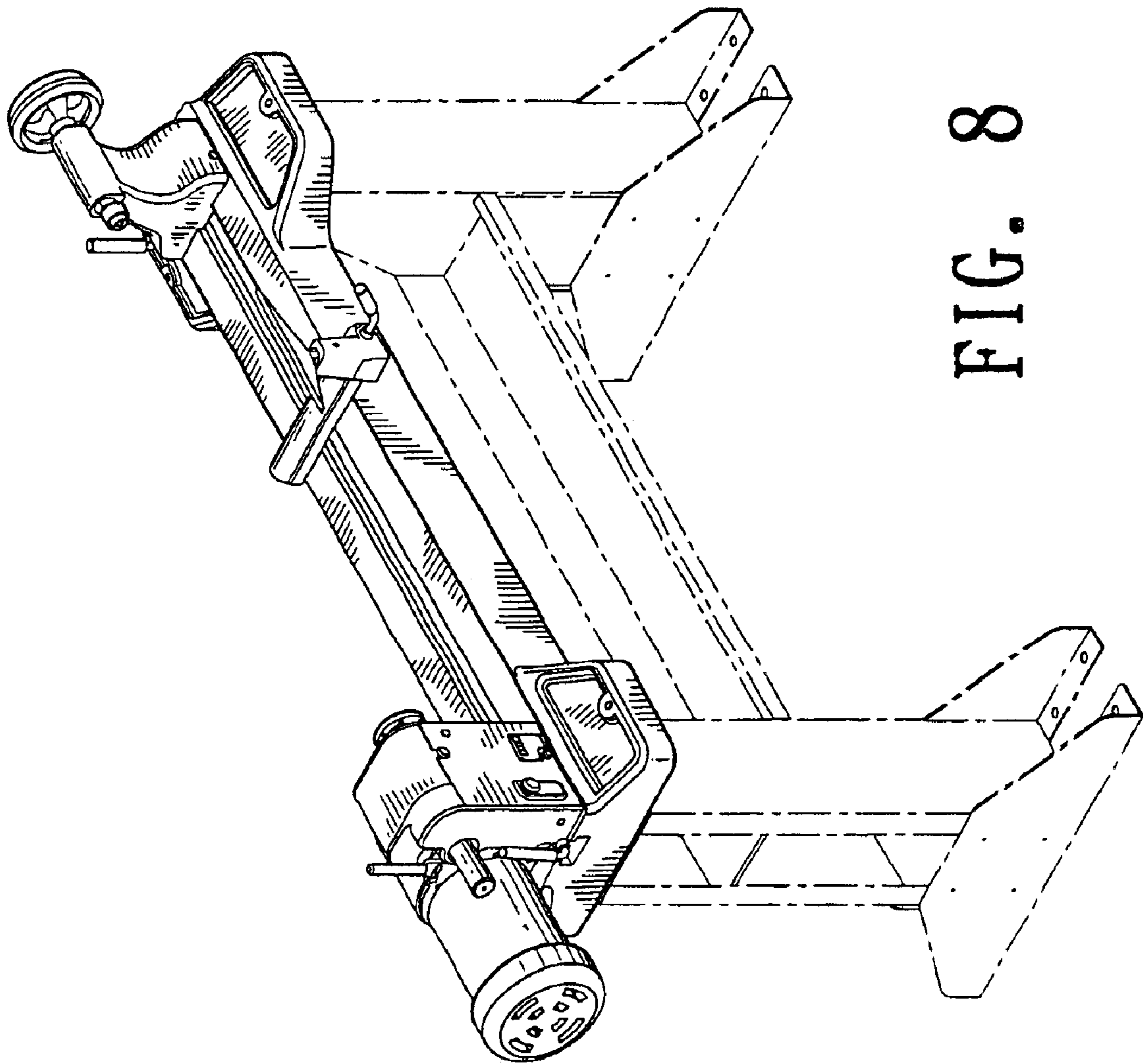


FIG. 8