

US00D504138S

(12) **United States Design Patent**  
**Fee et al.**

(10) **Patent No.: US D504,138 S**  
(45) **Date of Patent: \*\* Apr. 19, 2005**

(54) **REFRIGERATION MODULE**

(75) Inventors: **Bryan Fee**, Toronto (CA); **Russell Sherlock**, Toronto (CA); **Larlkyn Lee**, Willowdale (CA); **Marinko Tepic**, Don Mills (CA); **Scott Brown**, Uxbridge (CA)

(73) Assignee: **Habco Beverage Systems Inc.**, North York (CA)

(\*\*) Term: **14 Years**

(21) Appl. No.: **29/191,949**

(22) Filed: **Oct. 17, 2003**

(51) **LOC (7) Cl. .... 15-07**

(52) **U.S. Cl. .... D15/79**

(58) **Field of Search** ..... D15/79, 89; 62/329, 62/522, 520, 519, 472, 523, 141, 476

(56) **References Cited**

**U.S. PATENT DOCUMENTS**

1,820,045	A	*	8/1931	Braeutigam et al.	62/329
1,828,776	A	*	10/1931	King	62/520
2,079,448	A	*	5/1937	Grothouse	62/520
2,110,002	A	*	3/1938	Lichtenberg	62/519
2,134,768	A	*	11/1938	Threlkeld	62/472
3,712,078	A		1/1973	Maynard et al.	
4,416,122	A		11/1983	Johnson	
4,457,140	A		7/1984	Rastelli	
4,490,990	A		1/1985	Chastine et al.	
4,509,335	A		4/1985	Griffin et al.	
4,730,750	A		3/1988	Ficken	
5,086,627	A		2/1992	Borgen	
5,284,023	A		2/1994	Silva et al.	
5,347,827	A		9/1994	Rudick et al.	
5,402,654	A		4/1995	Rudick et al.	
5,417,079	A		5/1995	Rudick et al.	
5,417,081	A		5/1995	Rudick et al.	
5,433,082	A		7/1995	Trulaske	
5,458,407	A		10/1995	Bustos et al.	
5,461,878	A		10/1995	Moore et al.	
5,678,421	A		10/1997	Maynard et al.	

D410,353	S		6/1999	Rand et al.	
5,953,929	A		9/1999	Bauman et al.	
5,966,958	A		10/1999	Maynard et al.	
6,067,807	A	*	5/2000	Reimann	62/141
6,070,424	A		6/2000	Bauman et al.	
6,094,934	A		8/2000	Rand et al.	
6,094,950	A		8/2000	Maynard et al.	
6,101,839	A	*	8/2000	Reimann et al.	62/476
6,170,285	B1		1/2001	Huffman et al.	
6,378,313	B1		4/2002	Barrash	
6,378,324	B1		4/2002	Percy et al.	
D478,338	S	*	8/2003	Hoshino et al.	D15/79
D478,600	S	*	8/2003	Hoshino et al.	D15/79

\* cited by examiner

*Primary Examiner*—Mitchell Siegel

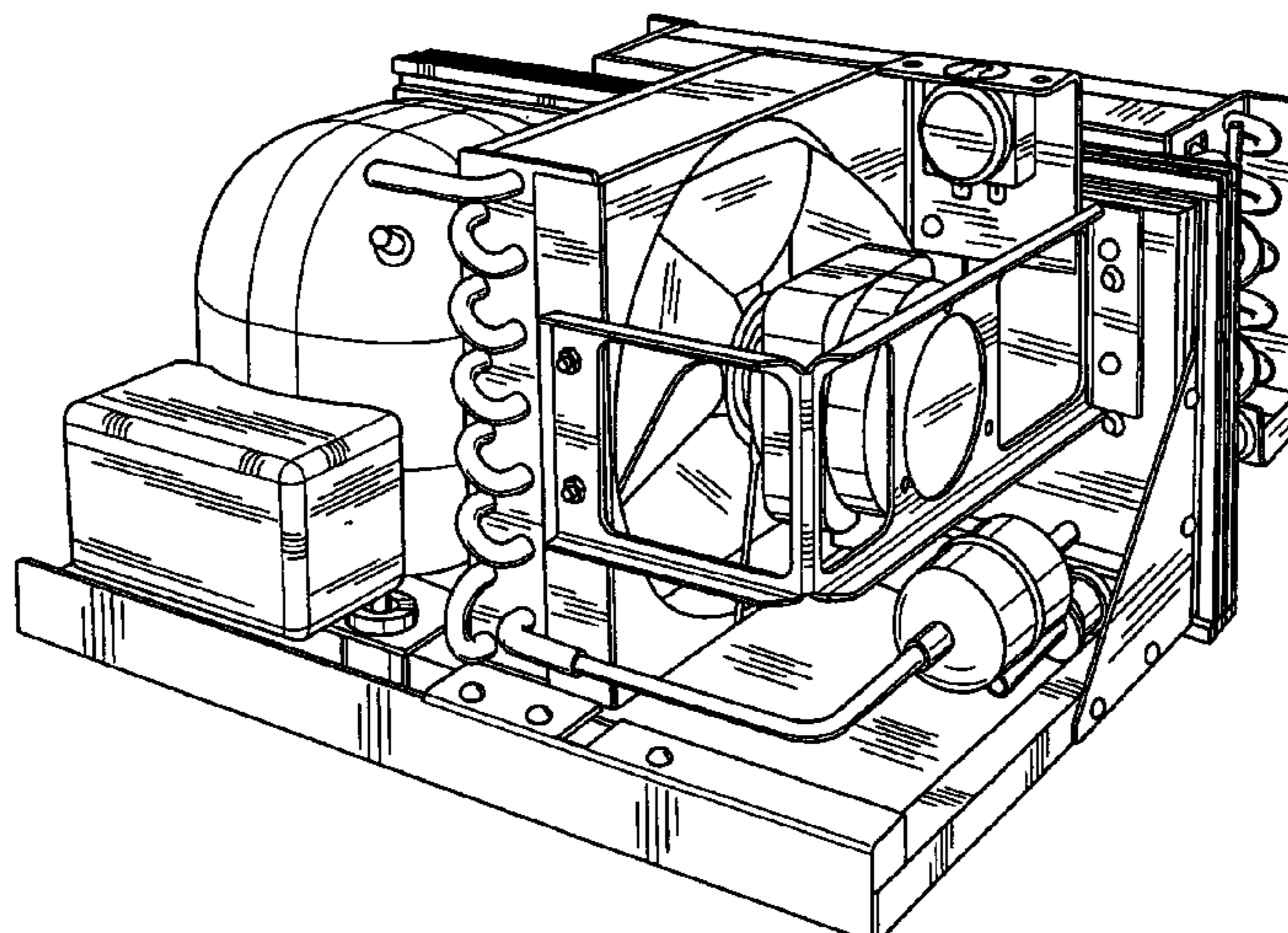
(57) **CLAIM**

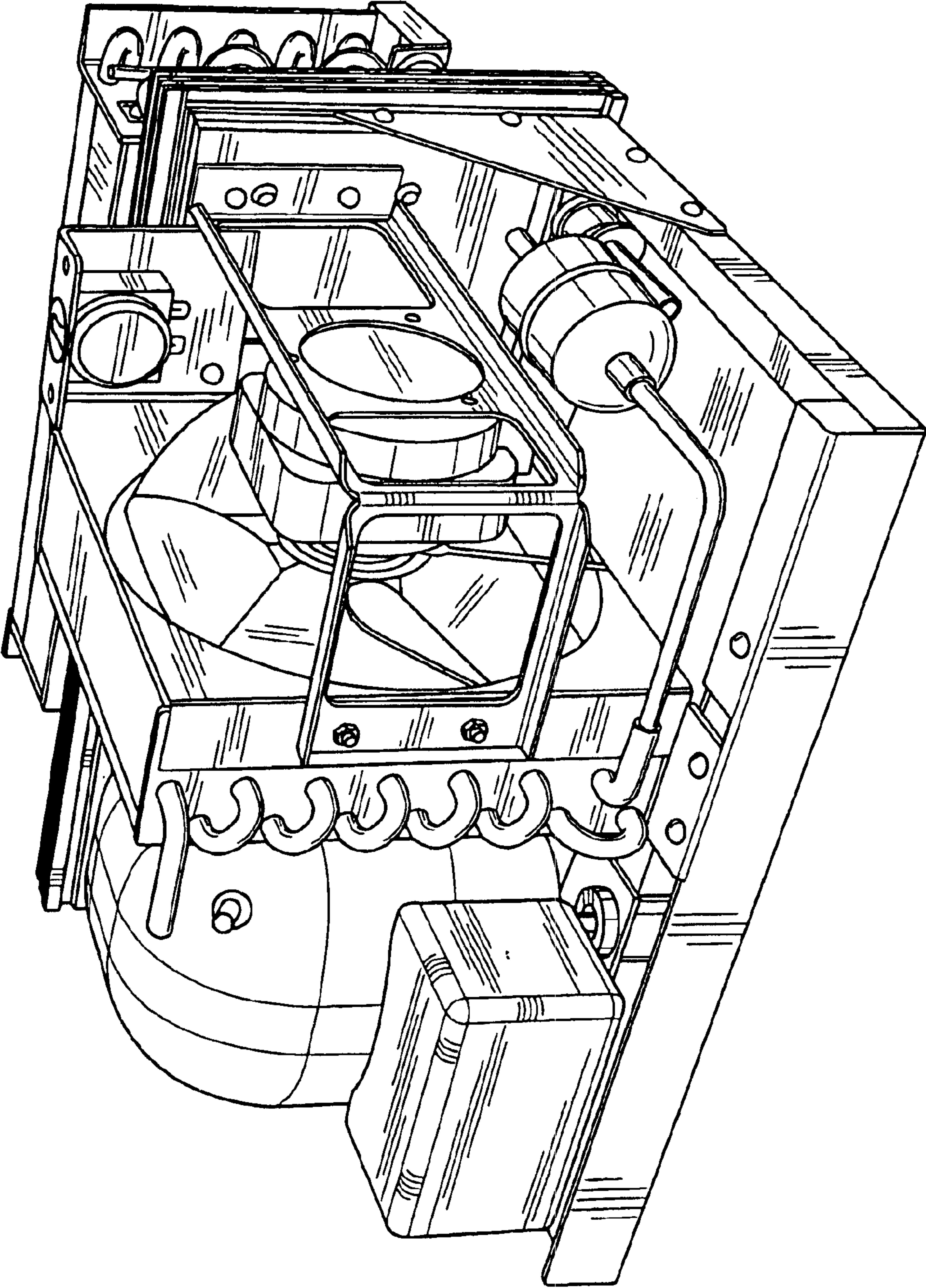
The ornamental design for a refrigeration module, as shown and described.

**DESCRIPTION**

FIG. 1 is a perspective view of the top and front of the refrigeration module showing our new design;  
 FIG. 2 is a perspective view of the top and back thereof, showing a right side thereof;  
 FIG. 3 is a perspective view of the top and back thereof, showing a left side thereof;  
 FIG. 4 is a perspective view of the bottom and front thereof, showing the left side thereof;  
 FIG. 5 is a perspective view of the bottom and front thereof, showing the right side thereof;  
 FIG. 6 is a side view showing the left side thereof;  
 FIG. 7 is a side view showing the right side thereof;  
 FIG. 8 is a front view thereof;  
 FIG. 9 is a back view thereof;  
 FIG. 10 is a top view thereof;  
 FIG. 11 is a bottom view thereof; and,  
 FIG. 12 is a perspective view of the top and front thereof, showing the refrigeration module in place in a refrigerator. The broken lines showing of environment are for illustrative purposes only and form no part of the claimed design.

**1 Claim, 12 Drawing Sheets**





**FIG. 1**

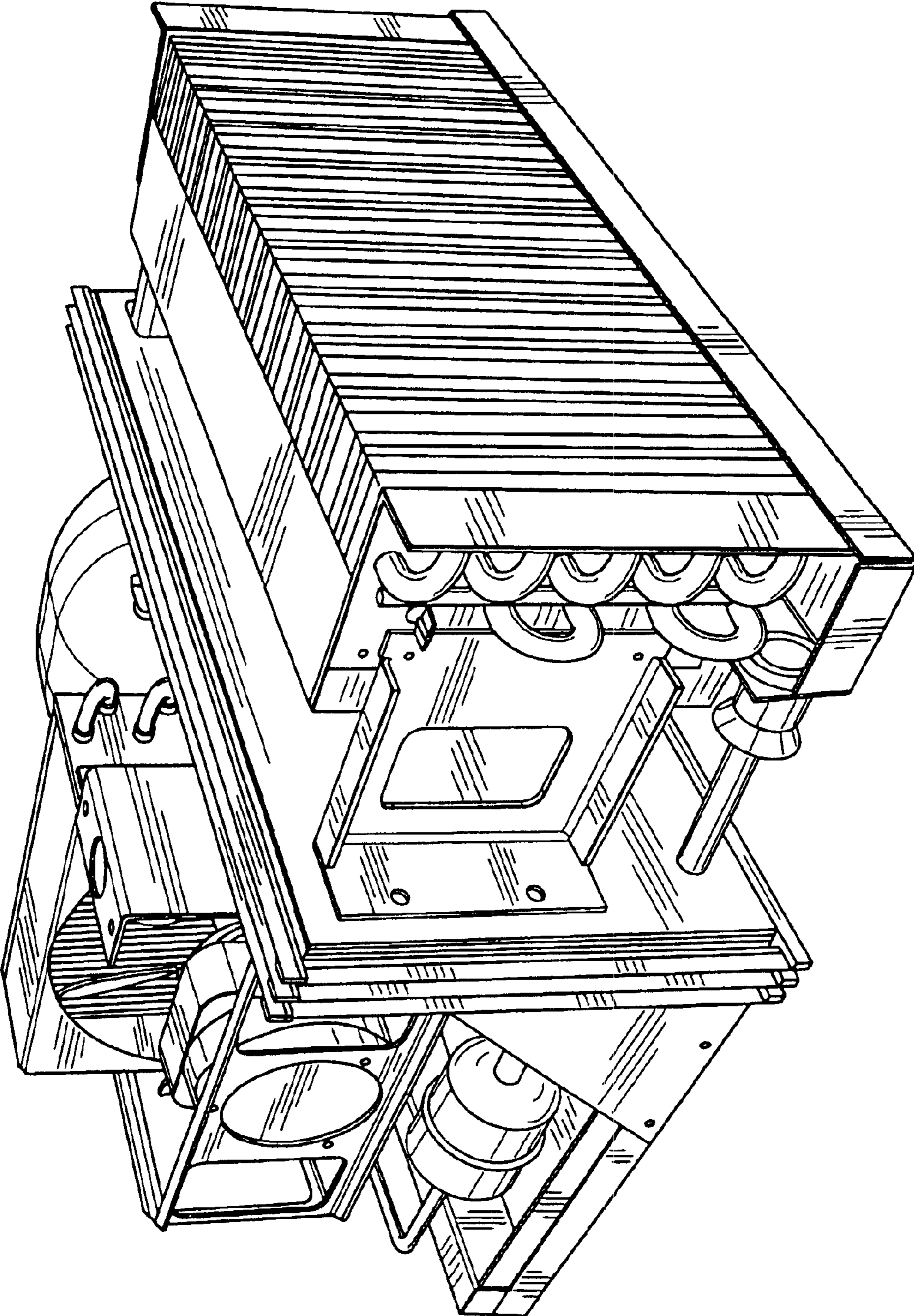
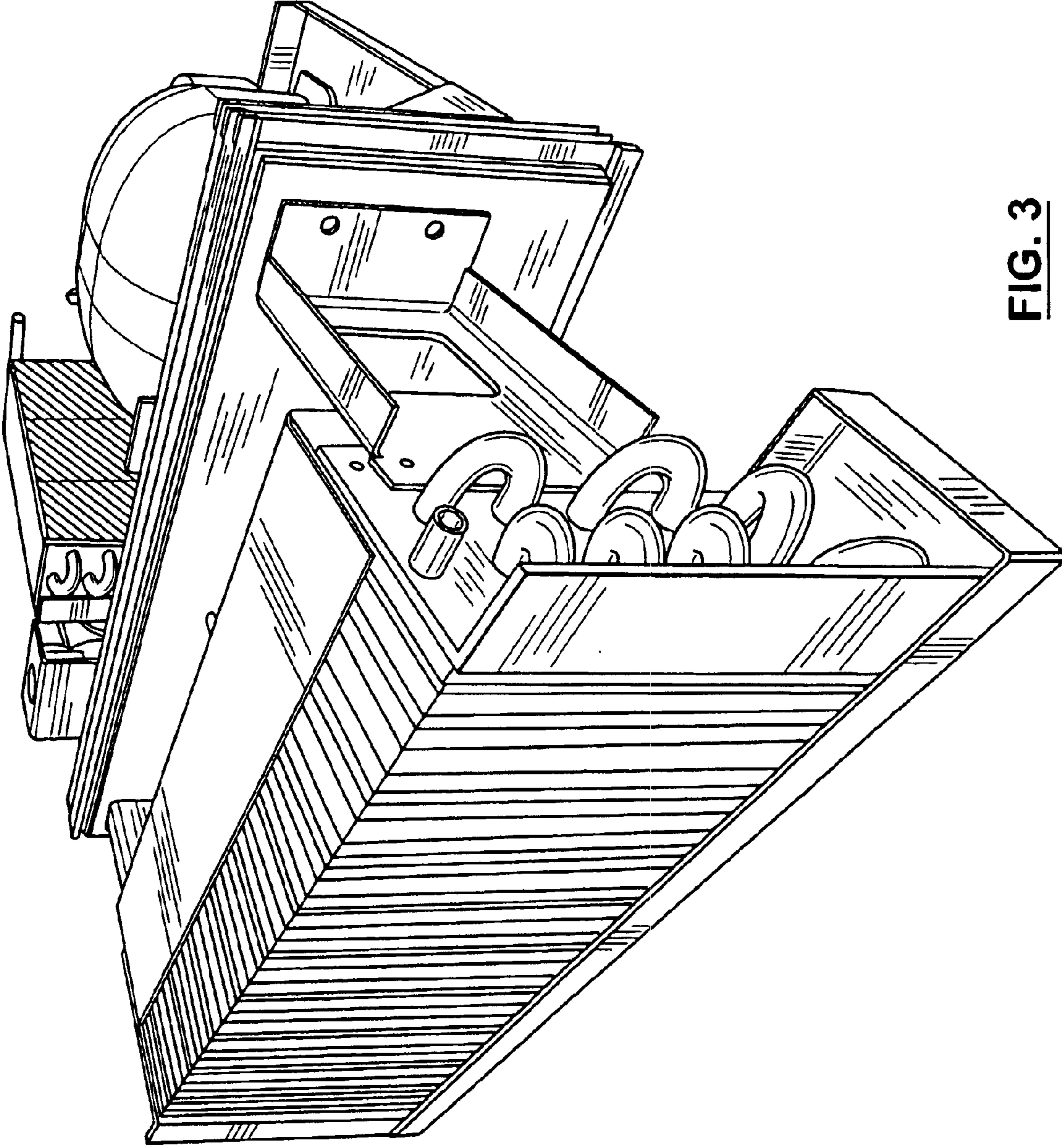
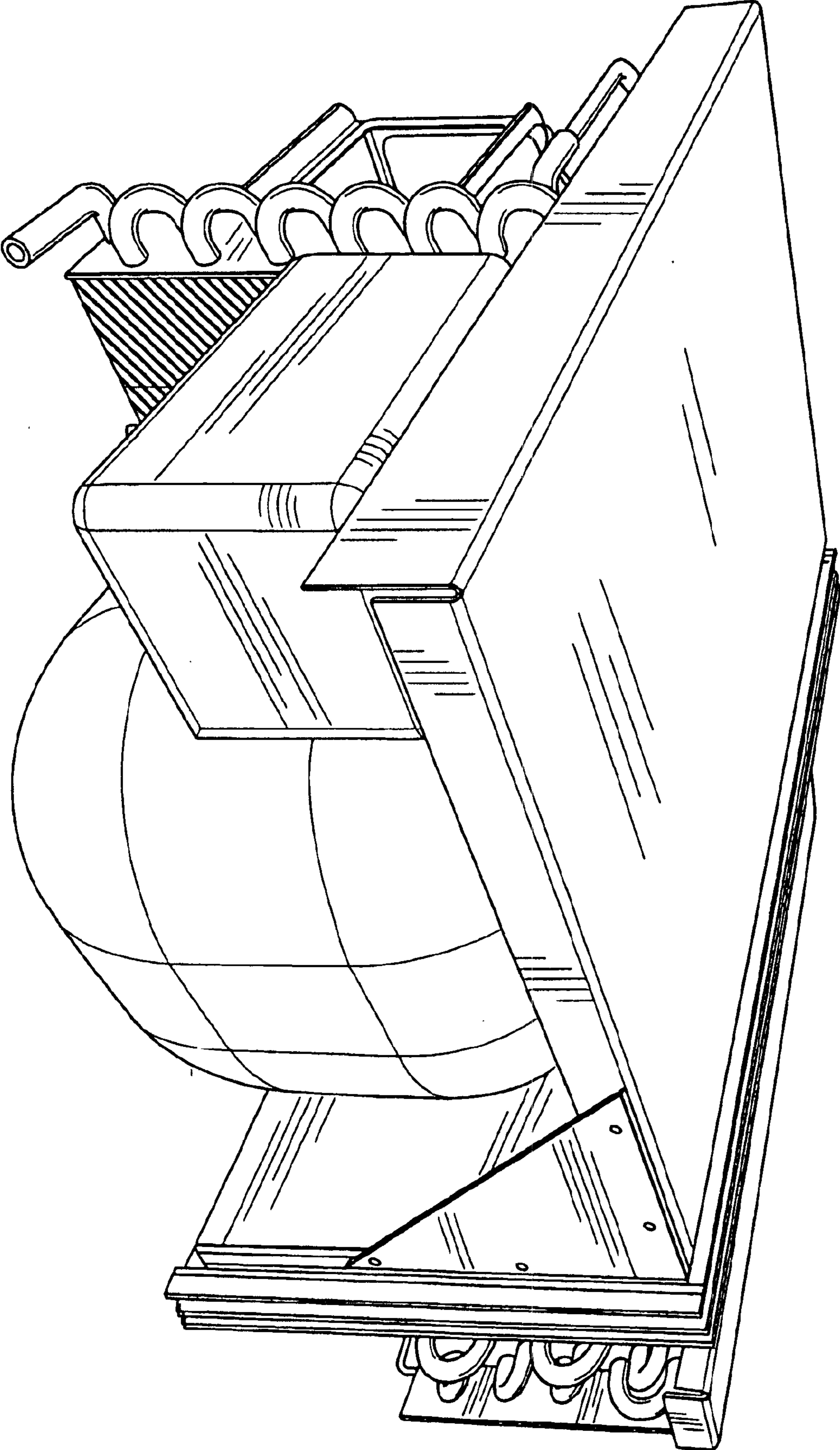


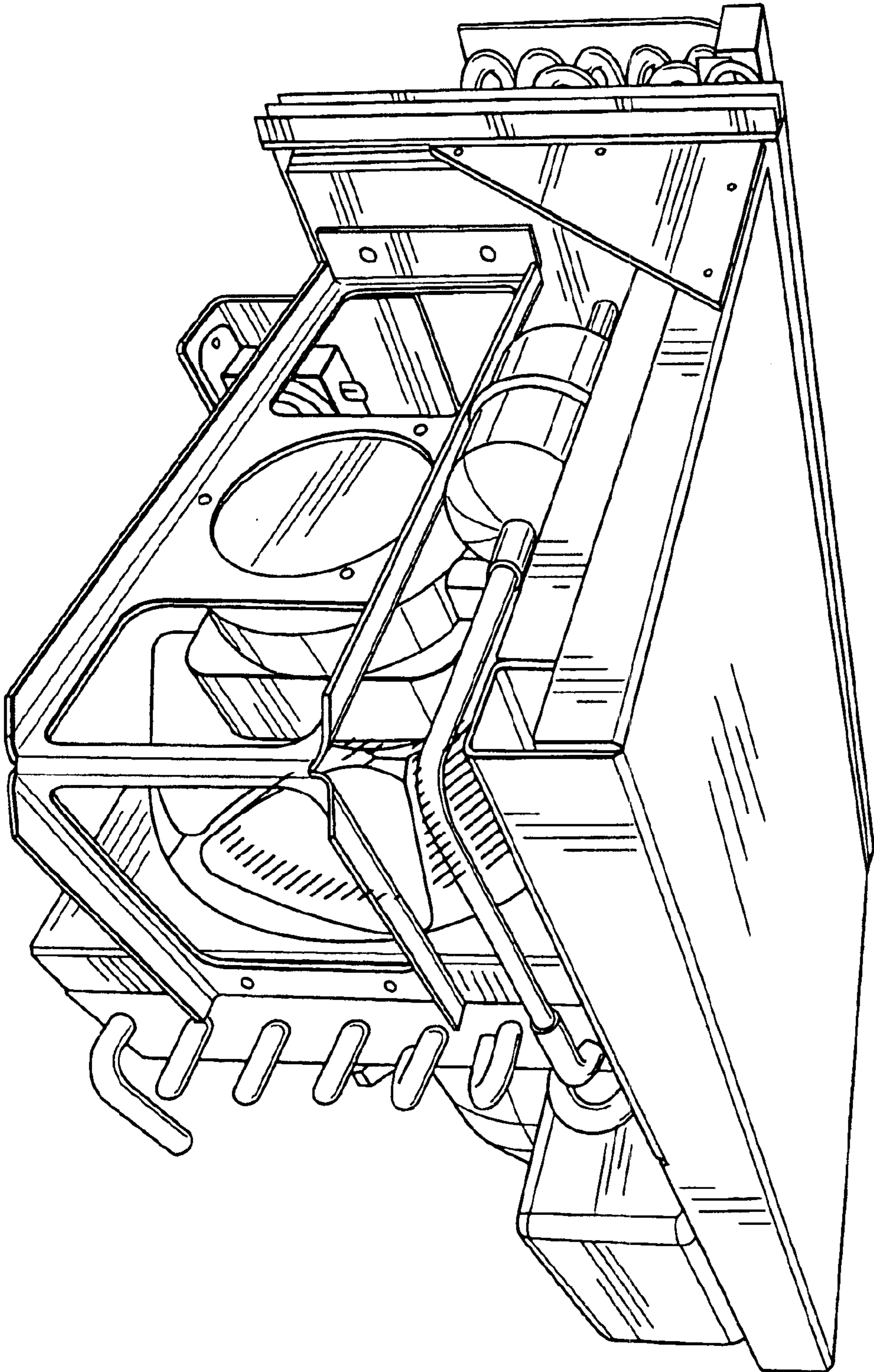
FIG. 2



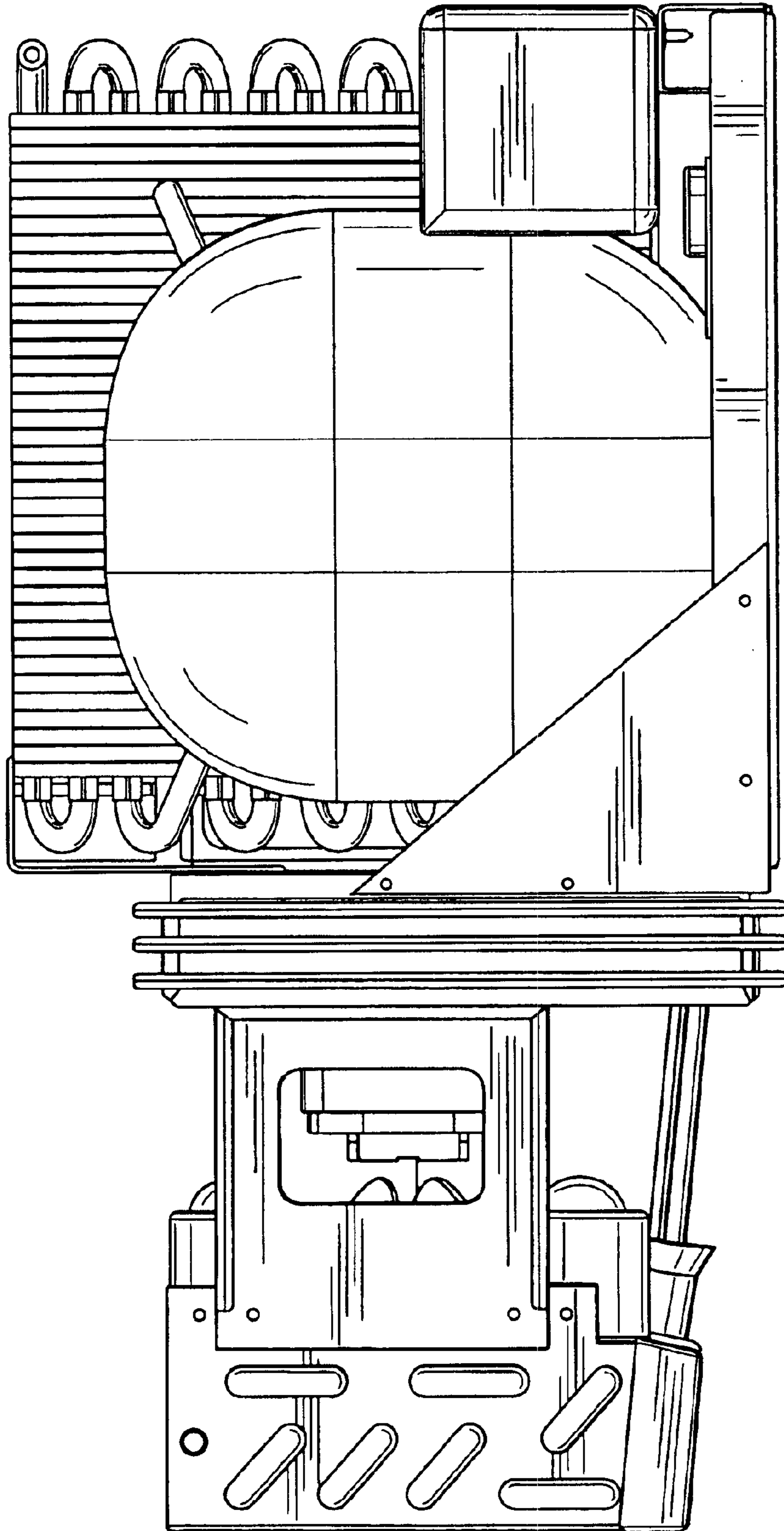
**FIG. 3**



**FIG. 4**



**FIG. 5**



**FIG. 6**

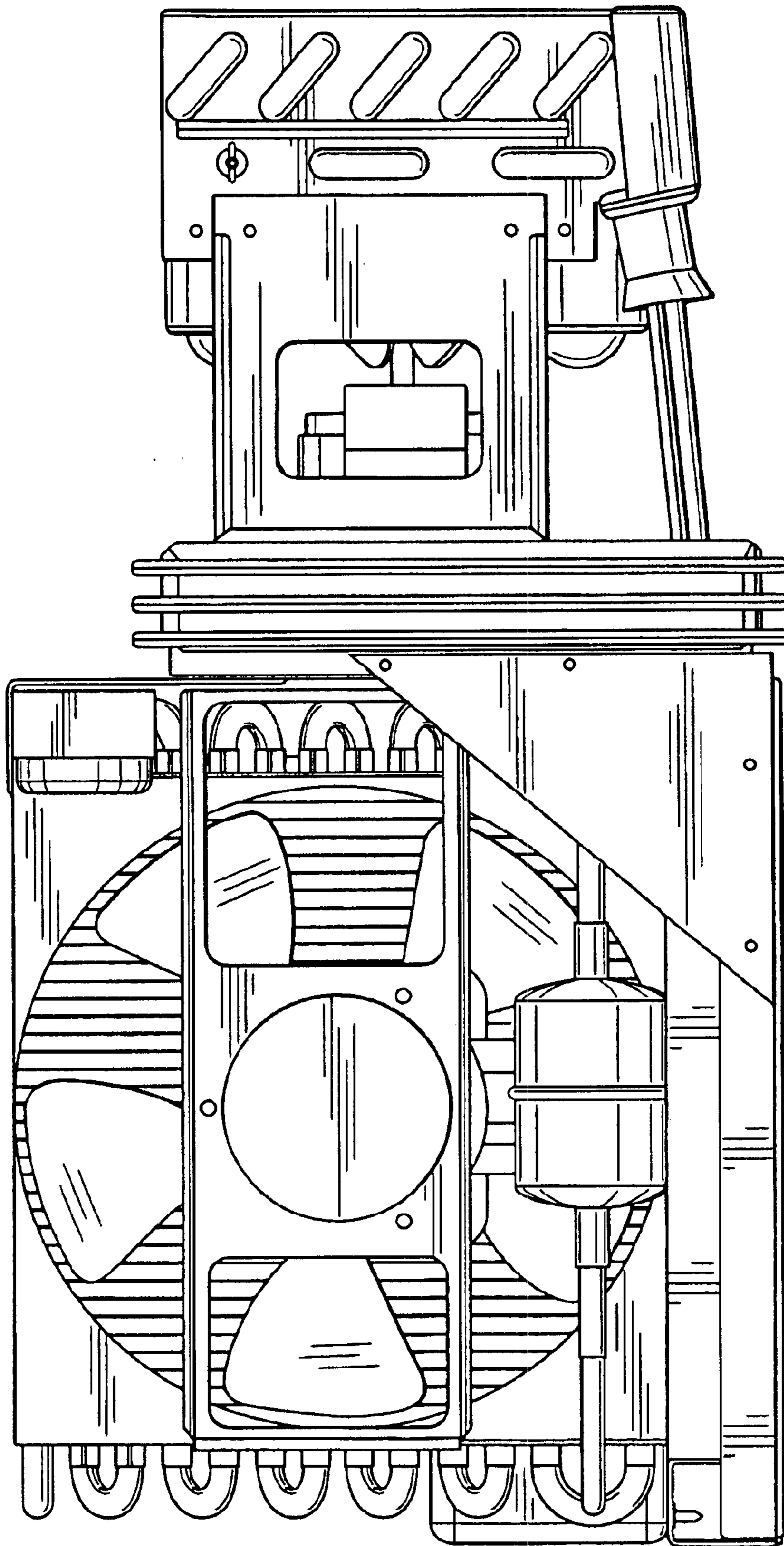
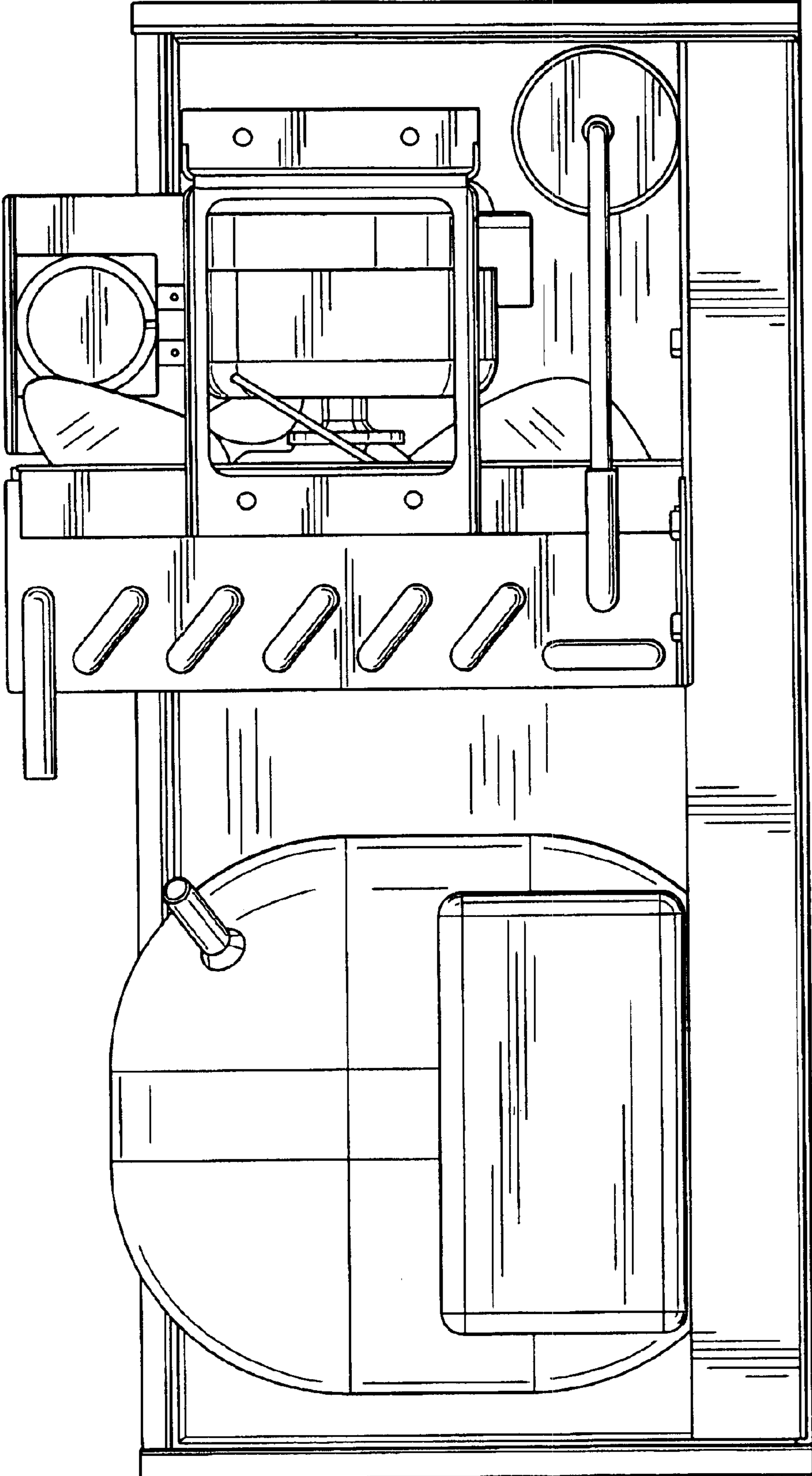
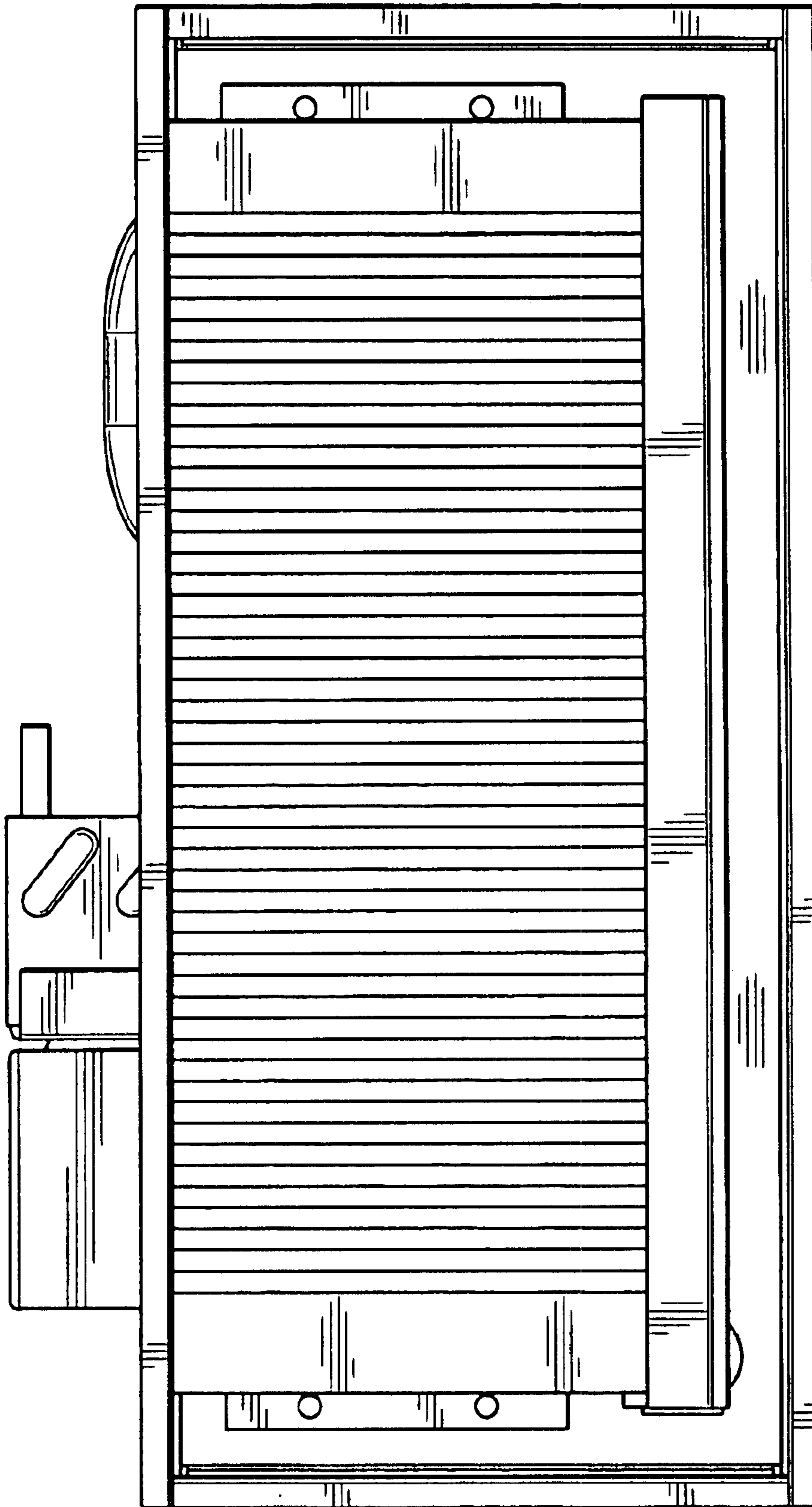


FIG. 7





**FIG. 8**



**FIG. 9**

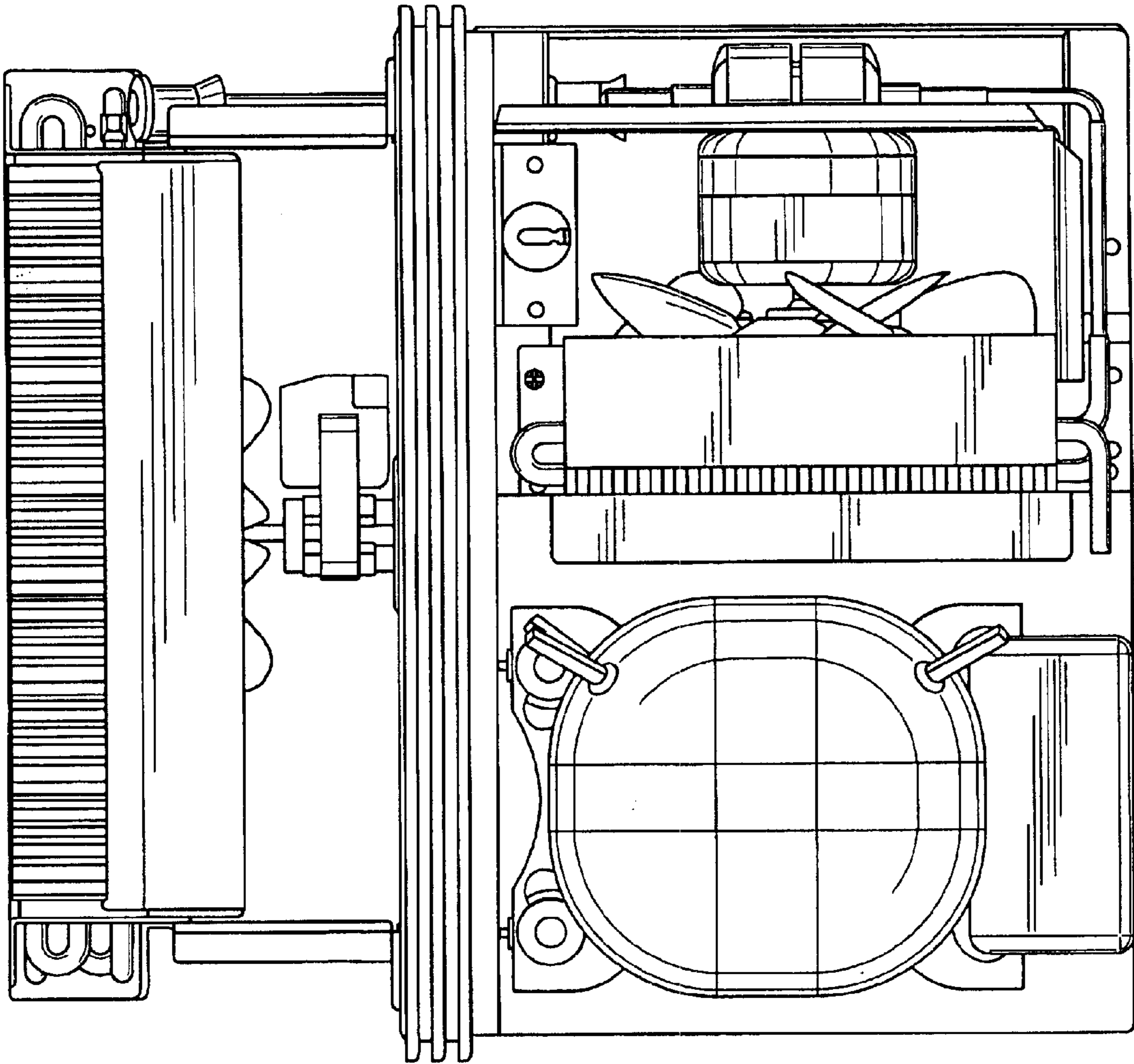
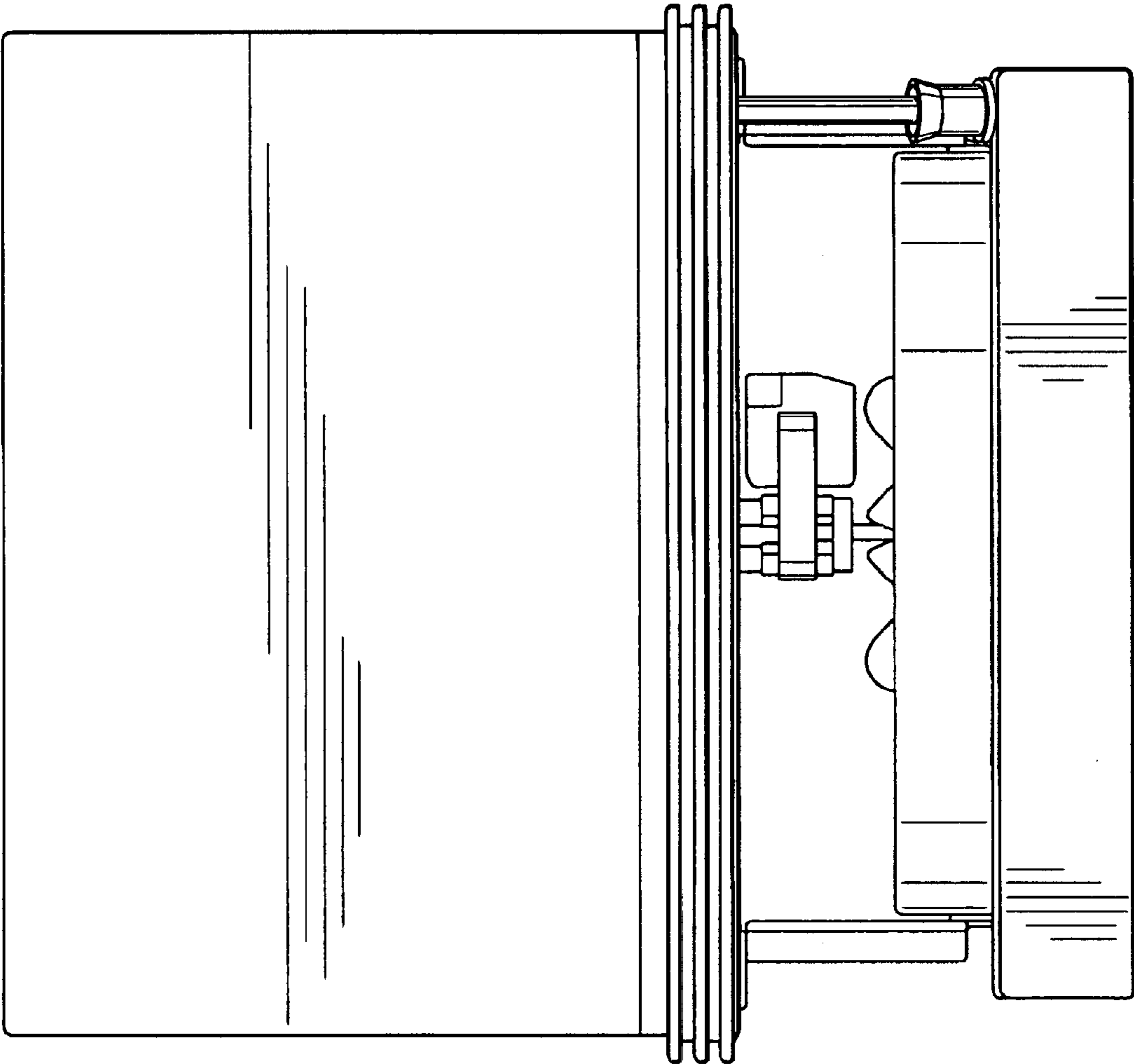
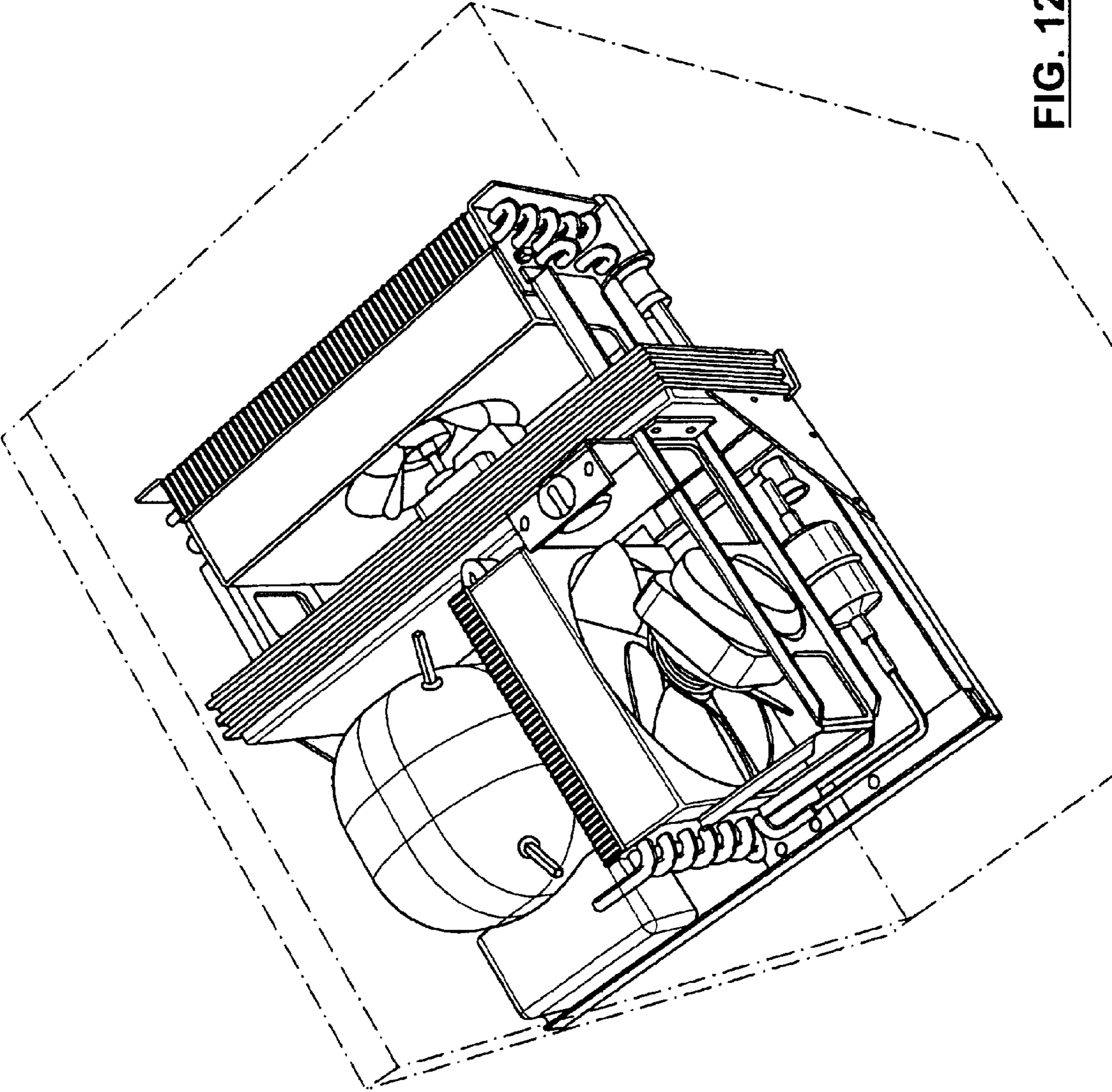


FIG. 10



**FIG. 11**



**FIG. 12**