



US00D504137S

(12) **United States Design Patent**
Kuroki

(10) **Patent No.:** **US D504,137 S**
(45) **Date of Patent:** **** Apr. 19, 2005**

(54) **SEWING MACHINE**

(75) Inventor: **Nobufusa Kuroki**, Tokyo (JP)

(73) Assignee: **Janome Sewing Machine Co., Ltd.**,
Tokyo (JP)

(**) Term: **14 Years**

(21) Appl. No.: **29/187,599**

(22) Filed: **Aug. 4, 2003**

(30) **Foreign Application Priority Data**

Feb. 27, 2003 (JP) 2003-004793

(51) **LOC (7) Cl.** **15-06**

(52) **U.S. Cl.** **D15/69**

(58) **Field of Search** D15/69-76; 112/63,
112/258-261, 217.1-217

(56) **References Cited**

U.S. PATENT DOCUMENTS

4,099,474 A	*	7/1978	Hamlett et al.	112/258
D292,929 S	*	11/1987	Yoneda	D15/69
D300,543 S	*	4/1989	Yoneda	D15/70
D359,965 S	*	7/1995	Nakajima et al.	D15/69
D366,490 S	*	1/1996	Wu	D15/69
D434,426 S	*	11/2000	Kuroki	D15/69

* cited by examiner

Primary Examiner—Mitchell Siegel

(74) *Attorney, Agent, or Firm*—Niels & Lemack

(57) **CLAIM**

The ornamental design for a sewing machine, as shown and described.

DESCRIPTION

FIG. 1 is a perspective view from a forward angle of the sewing machine of the present invention;

FIG. 2 is a perspective view from a rear angle of the sewing machine of the present invention;

FIG. 3 is a side view from a first side of the sewing machine of the present invention;

FIG. 4 is a side view from a second side of the sewing machine of the present invention;

FIG. 5 is a front view of the sewing machine of the present invention;

FIG. 6 is a rear view of the sewing machine of the present invention;

FIG. 7 is a top view of the sewing machine of the present invention;

FIG. 8 is a bottom view of the sewing machine of the present invention;

FIG. 9 is a view along line A—A of FIG. 3; and,

FIG. 10 is a view along line B—B of FIG. 3.

The present invention relates to a sewing machine. The body is essentially characterized by the gentle curved surface. The most characteristic part of the design is the dynamic reverse-C shaped face. A difference in level gradually appears across the face plate, the thread guide cover and the left end of the front cover. A curvature is formed as if it surrounds the handwheel at the top right end of the front cover. A difference in level given by a curved line appears at the lower part of the entire front face. The body is equipped with a stitch select dial and a reverse feed lever.

1 Claim, 4 Drawing Sheets

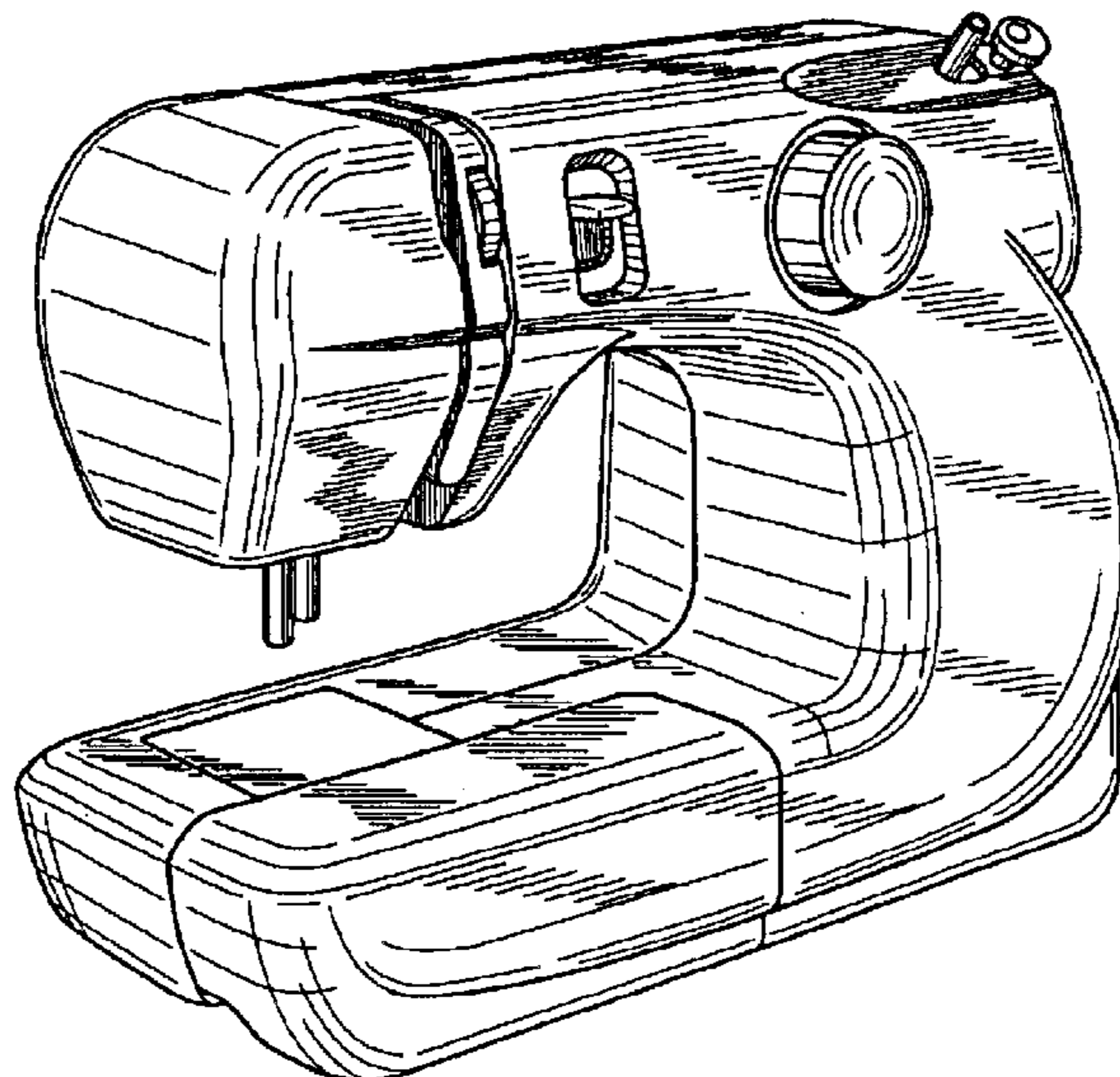


FIG.1

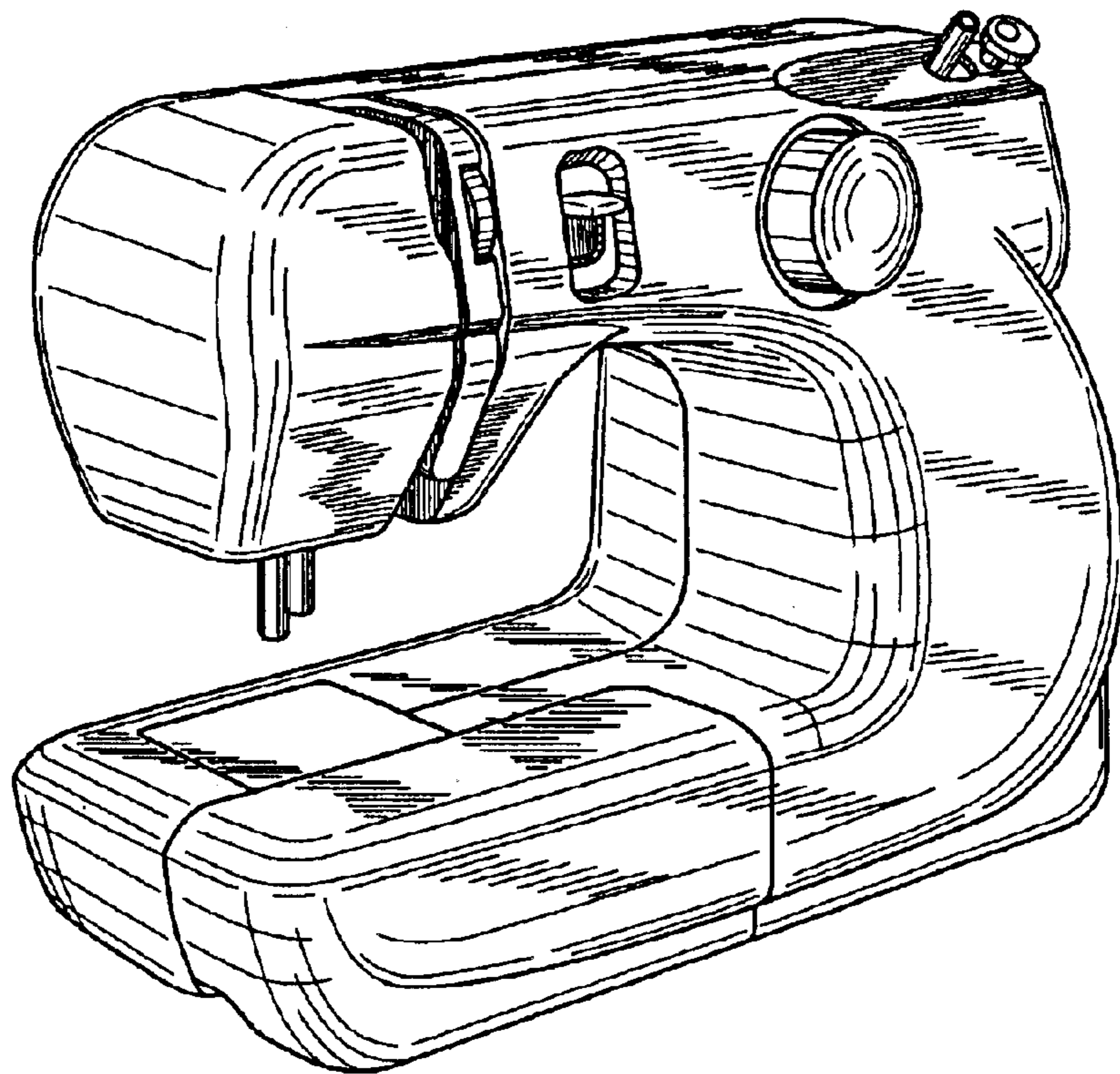


FIG.2

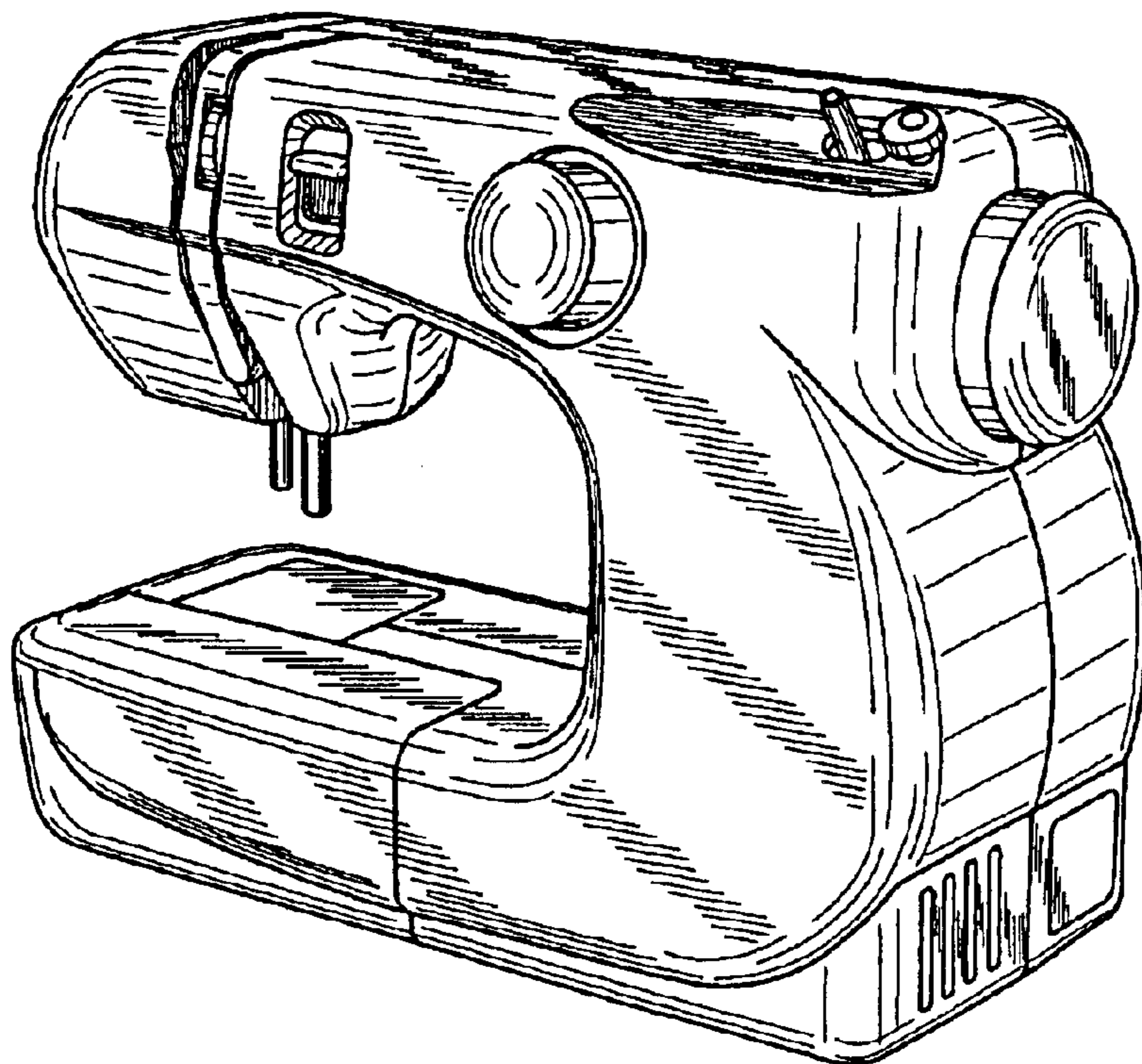


FIG.3

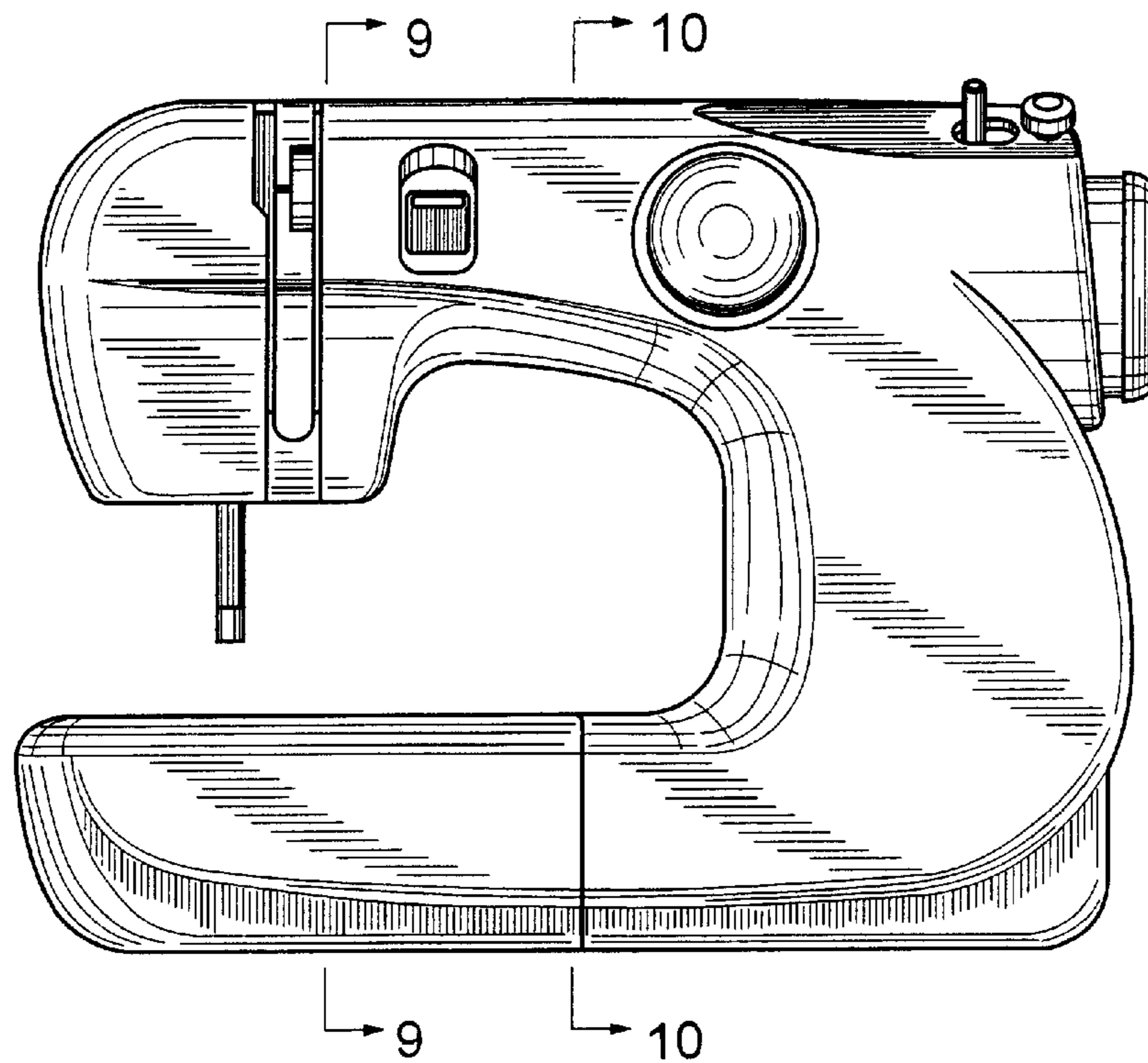


FIG.4

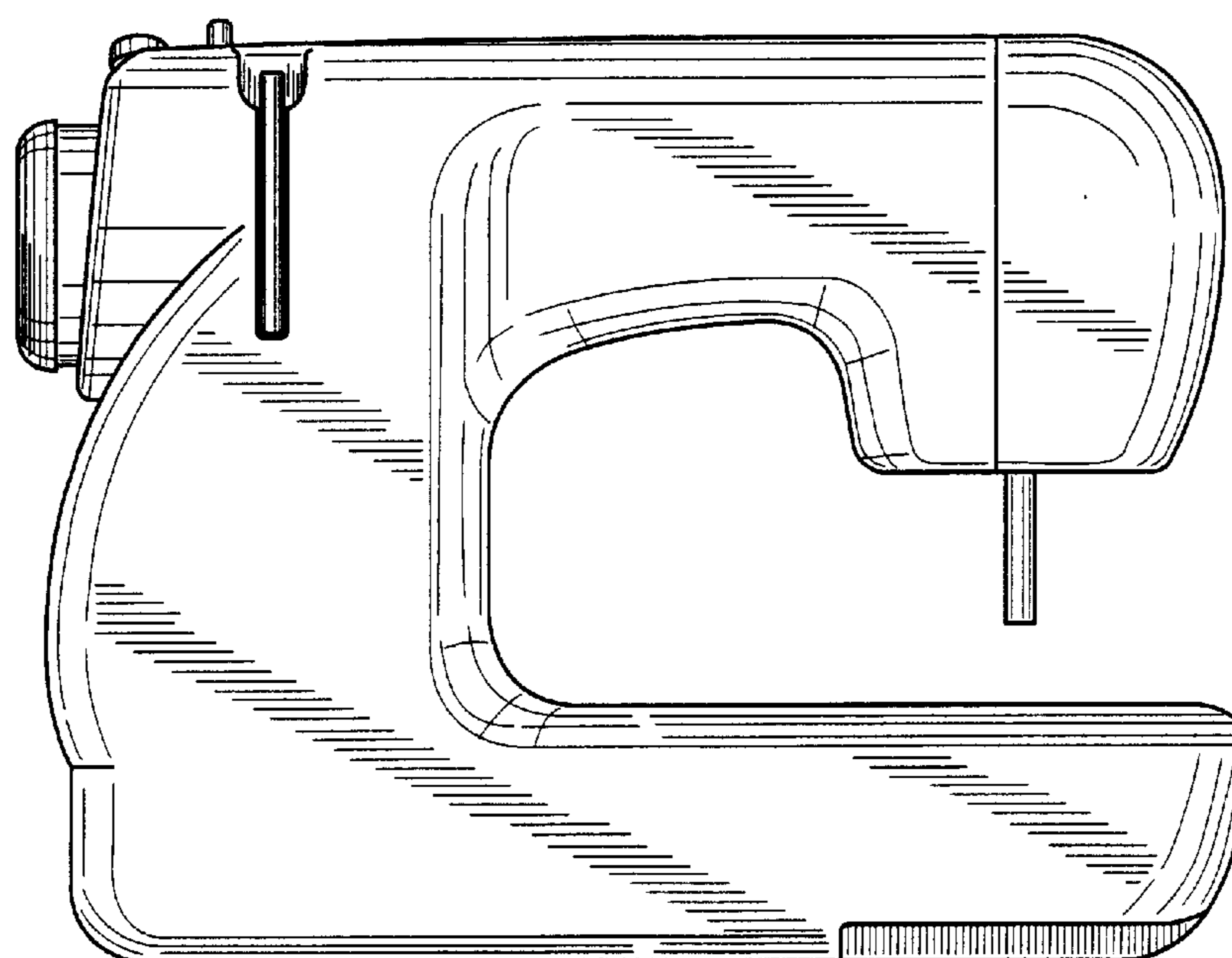


FIG.5

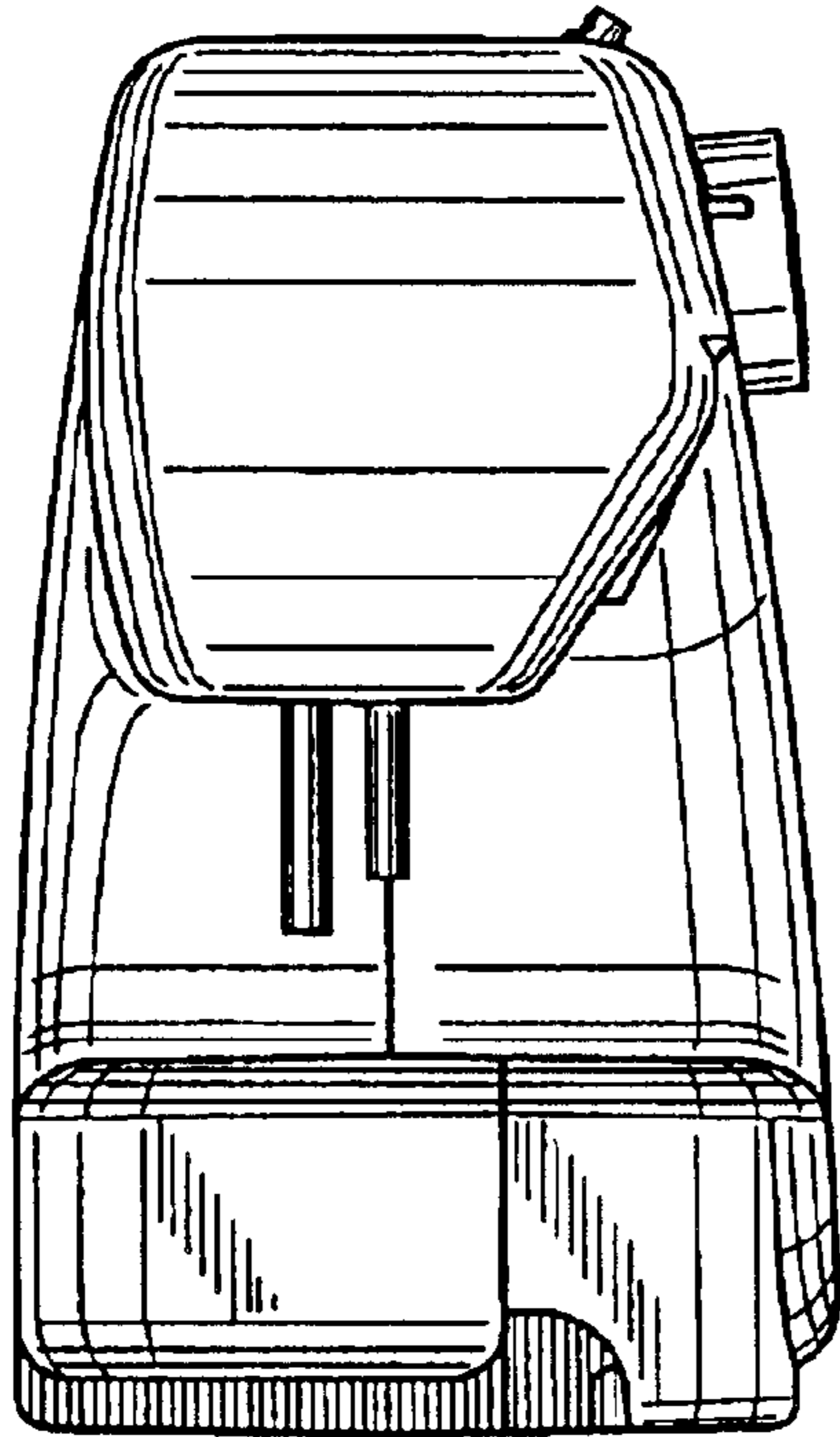


FIG.6

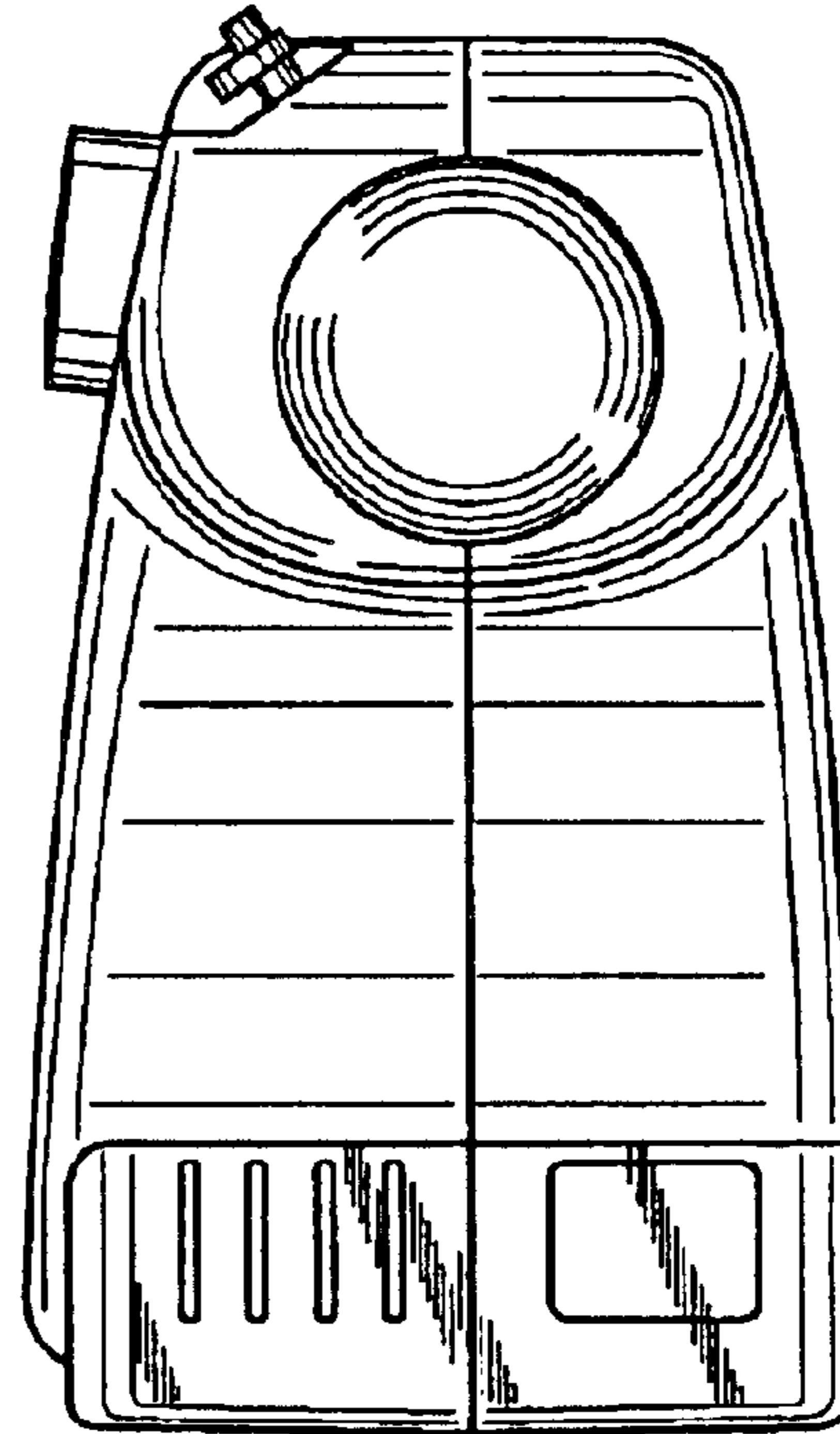


FIG.7

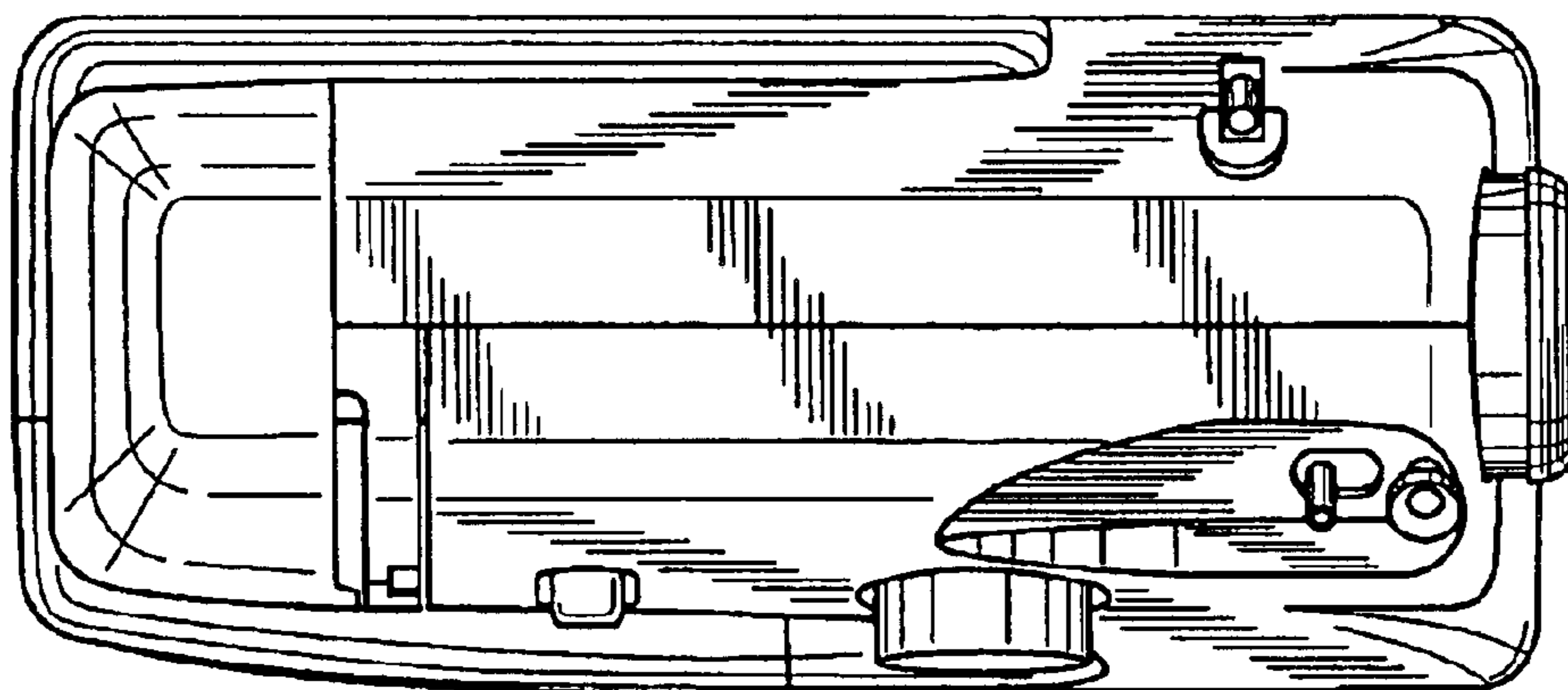


FIG.8

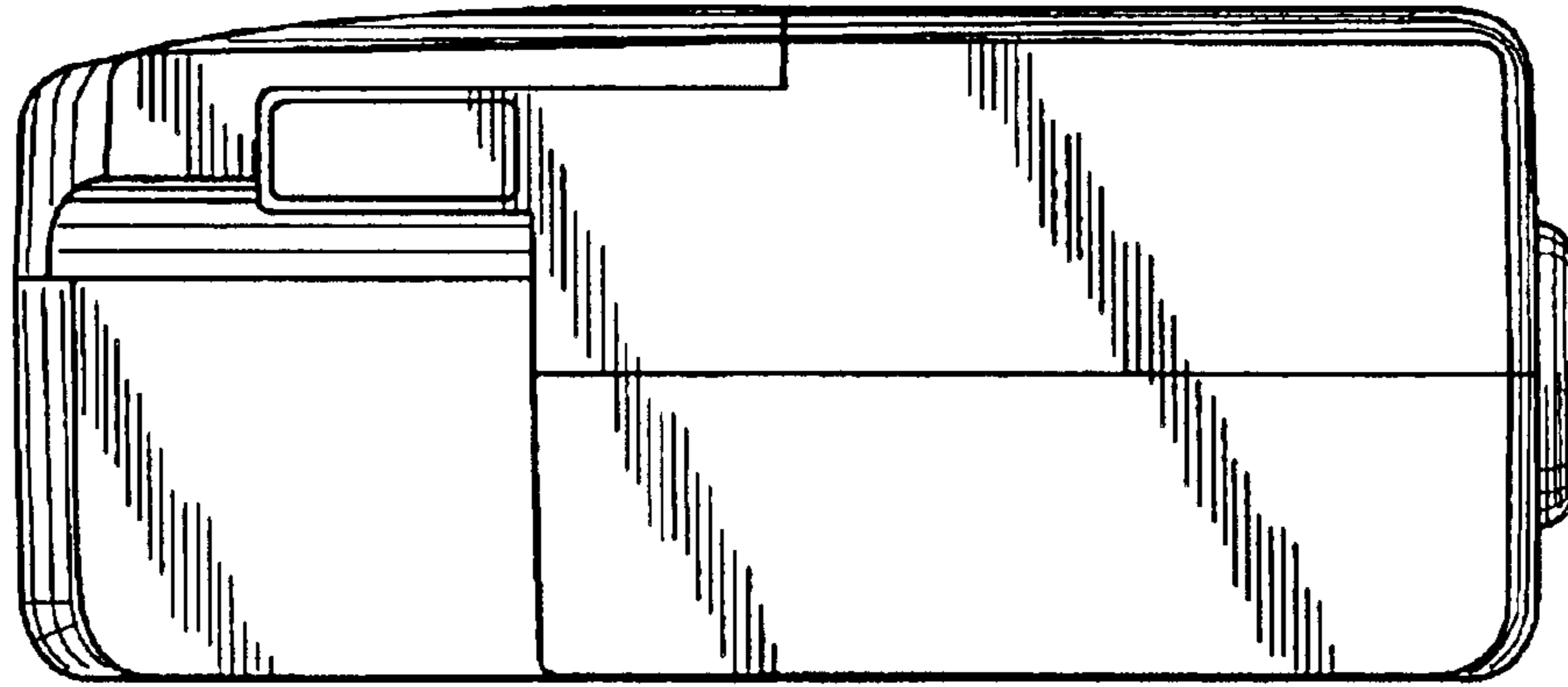


FIG.9

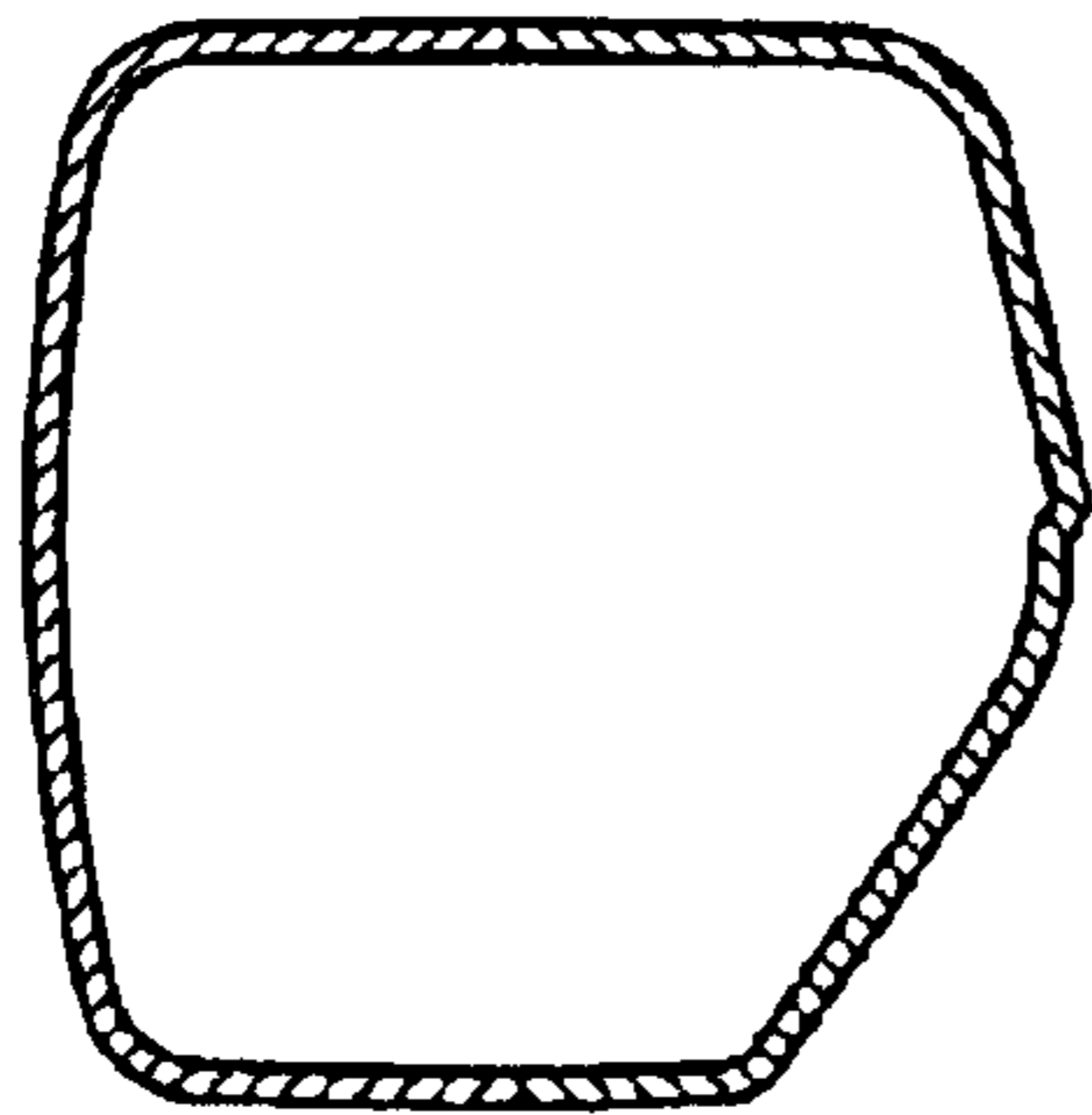


FIG.10

