

US00D504136S

(12) **United States Design Patent**
Albright et al.

(10) **Patent No.:** **US D504,136 S**
(45) **Date of Patent:** **** Apr. 19, 2005**

(54) **SKID STEER LOADER WITH EXTENDABLE LIFT ARMS**

(75) Inventors: **Larry E. Albright**, Gwinner, ND (US);
James E. Asche, Gwinner, ND (US);
Dan Frederick, Forman, ND (US);
Thomas J. Roan, Fargo, ND (US);
Gary W. Weddle, Bedford, TX (US)

(73) Assignee: **Clark Equipment Company**, Woodcliff Lake, NJ (US)

(**) Term: **14 Years**

(21) Appl. No.: **29/182,459**

(22) Filed: **May 28, 2003**

(51) **LOC (7) Cl.** **12-09**

(52) **U.S. Cl.** **D15/23**

(58) **Field of Search** D15/23-26; 180/89.1,
180/89.12; 414/680, 685, 686, 697

(56) **References Cited**

U.S. PATENT DOCUMENTS

D231,482 S	*	4/1974	Bauer	D15/25
4,055,262 A	*	10/1977	Bauer et al.	414/697
D247,814 S	*	5/1978	Johnson et al.	D15/23
D314,389 S		2/1991	Lynnes et al.	D15/25
D317,926 S		7/1991	Lynnes et al.	D15/25
D322,792 S	*	12/1991	Park	D15/25
5,169,278 A		12/1992	Hoechst et al.	414/685

5,240,366 A	*	8/1993	Bamford	414/686
5,511,932 A		4/1996	Todd et al.	414/685
5,542,814 A		8/1996	Ashcroft et al.	414/786
D376,372 S	*	12/1996	Little et al.	D15/23
5,609,464 A		3/1997	Moffitt et al.	414/685
D419,568 S	*	1/2000	Baig et al.	D15/25
D423,521 S	*	4/2000	Walter et al.	D15/23
D450,718 S	*	11/2001	Muraro	D15/25
6,474,933 B1		11/2002	Hoechst et al.	414/815

* cited by examiner

Primary Examiner—Mitchell Siegel

(74) *Attorney, Agent, or Firm*—Westman, Champlin & Kelly

(57) **CLAIM**

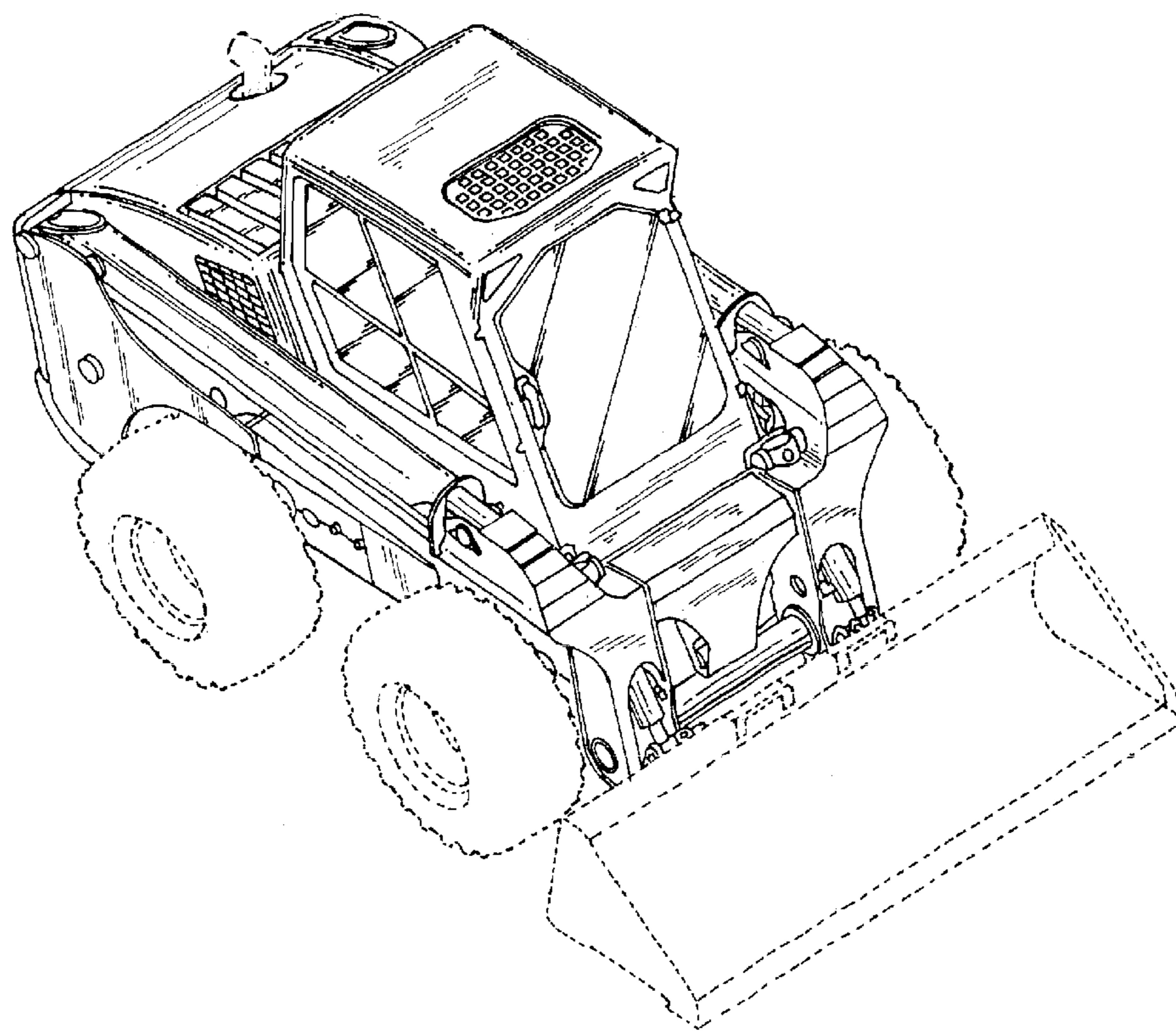
The ornamental design for a skid steer loader with extendable lift arms, as shown and described.

DESCRIPTION

FIG. 1 is a front perspective view of a skid steer loader with extendable lift arms embodying our new design;
FIG. 2 is a right side view thereof;
FIG. 3 is a left side view thereof;
FIG. 4 is a front view thereof;
FIG. 5 is a rear view thereof;
FIG. 6 is a top plan view thereof; and,
FIG. 7 is a bottom plan view thereof.

The broken line showing is for illustrative purposes only and forms no part of the claimed design.

1 Claim, 7 Drawing Sheets



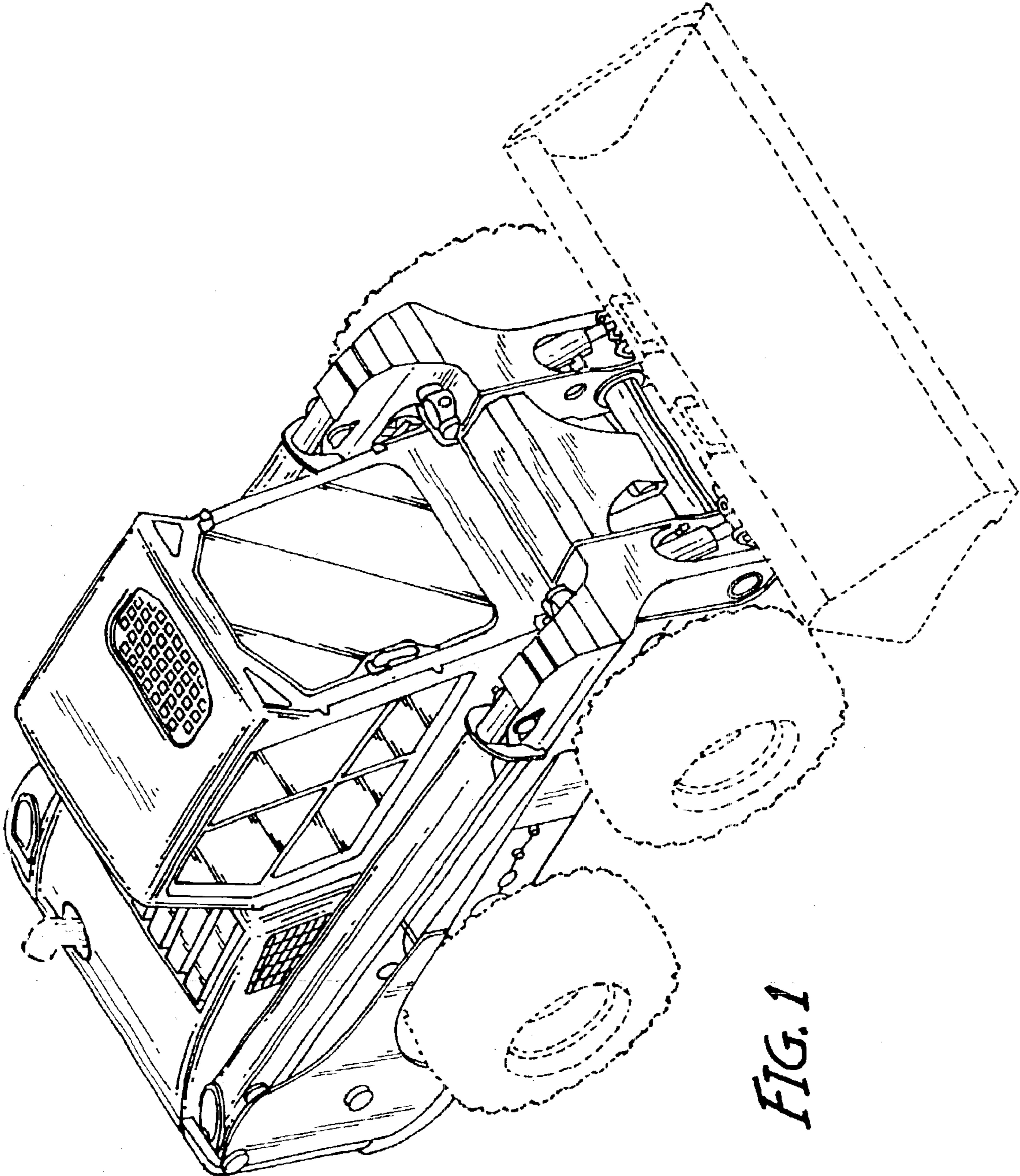


FIG. 1

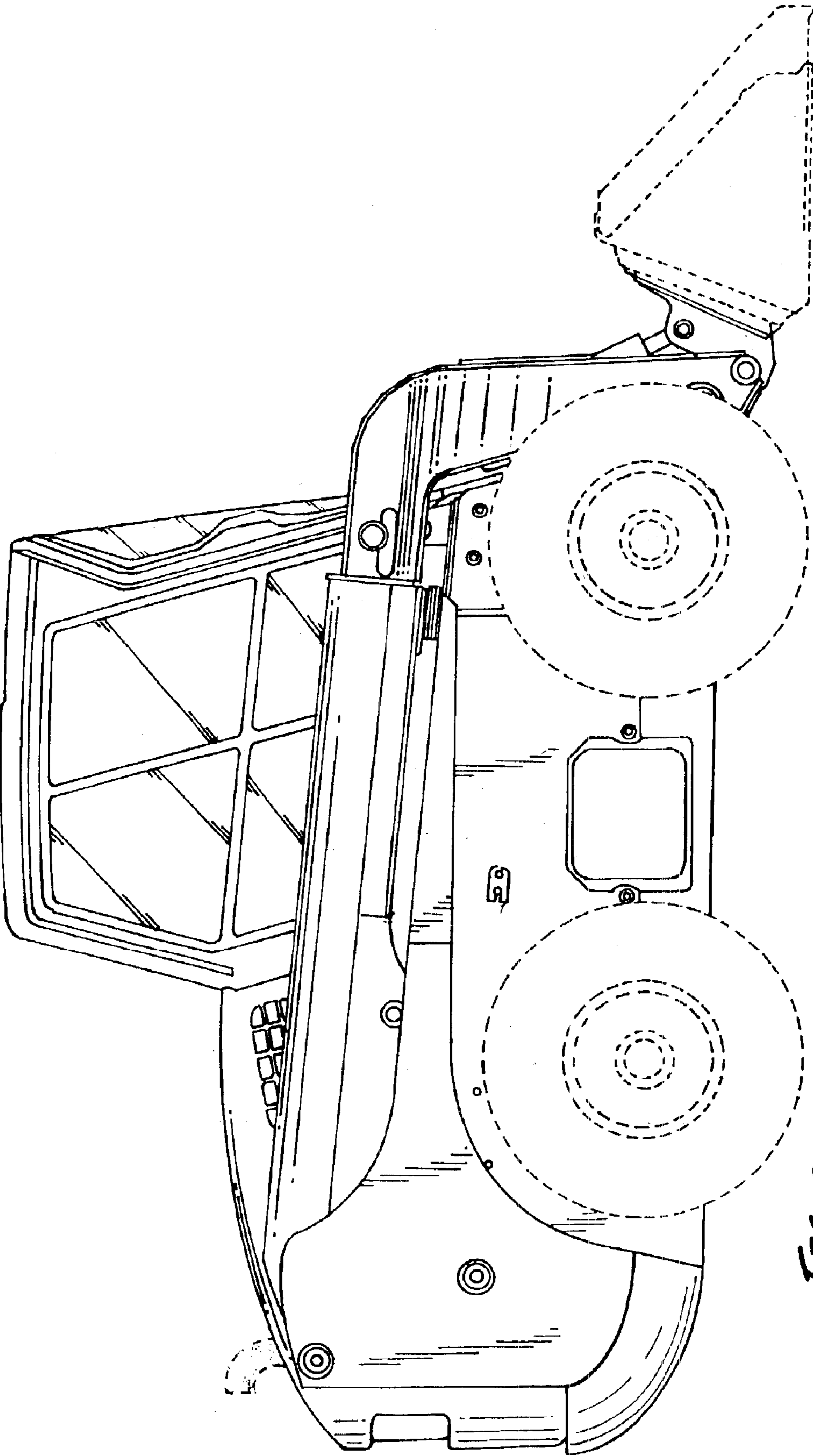


FIG. 2

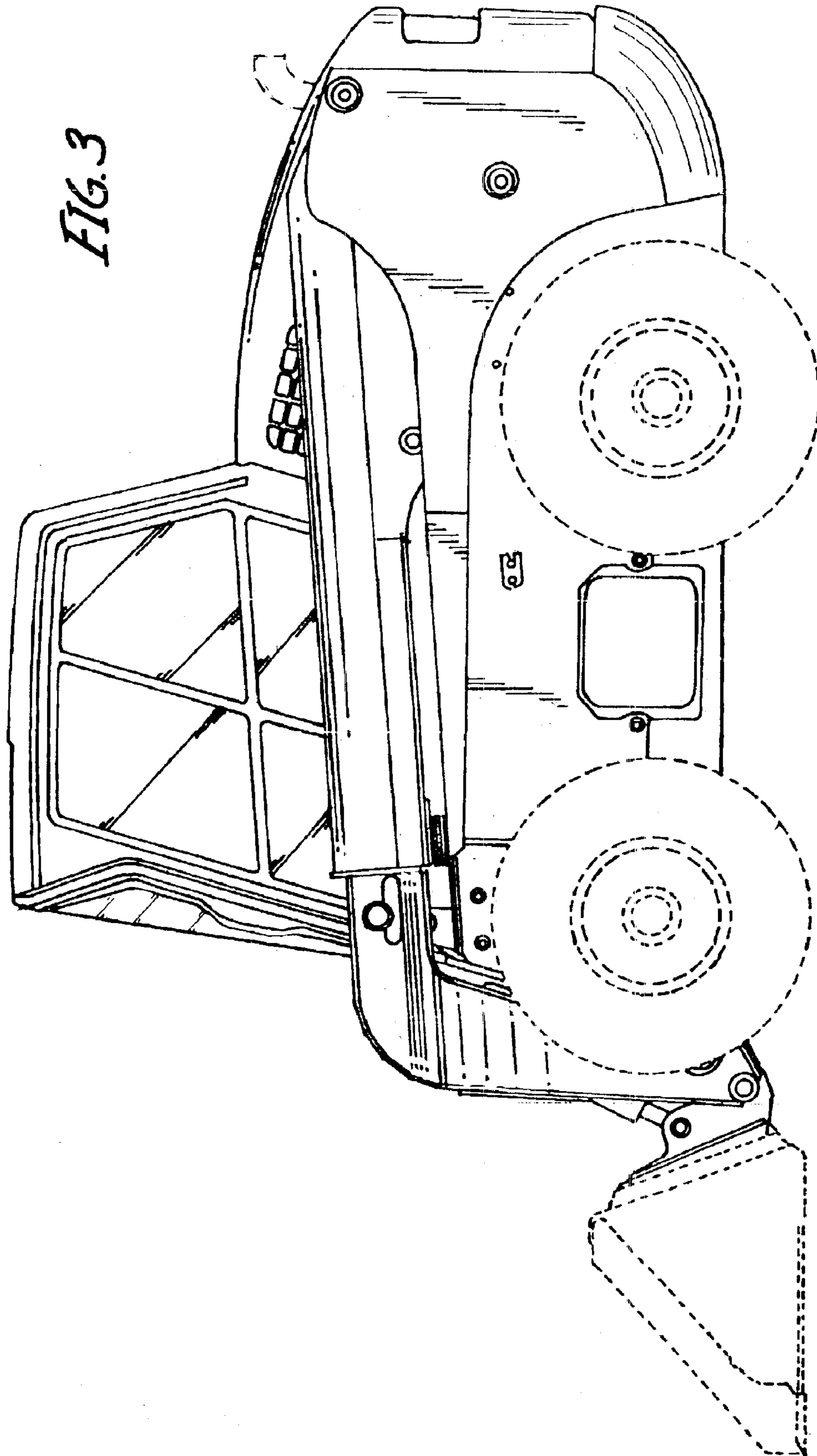


FIG. 4

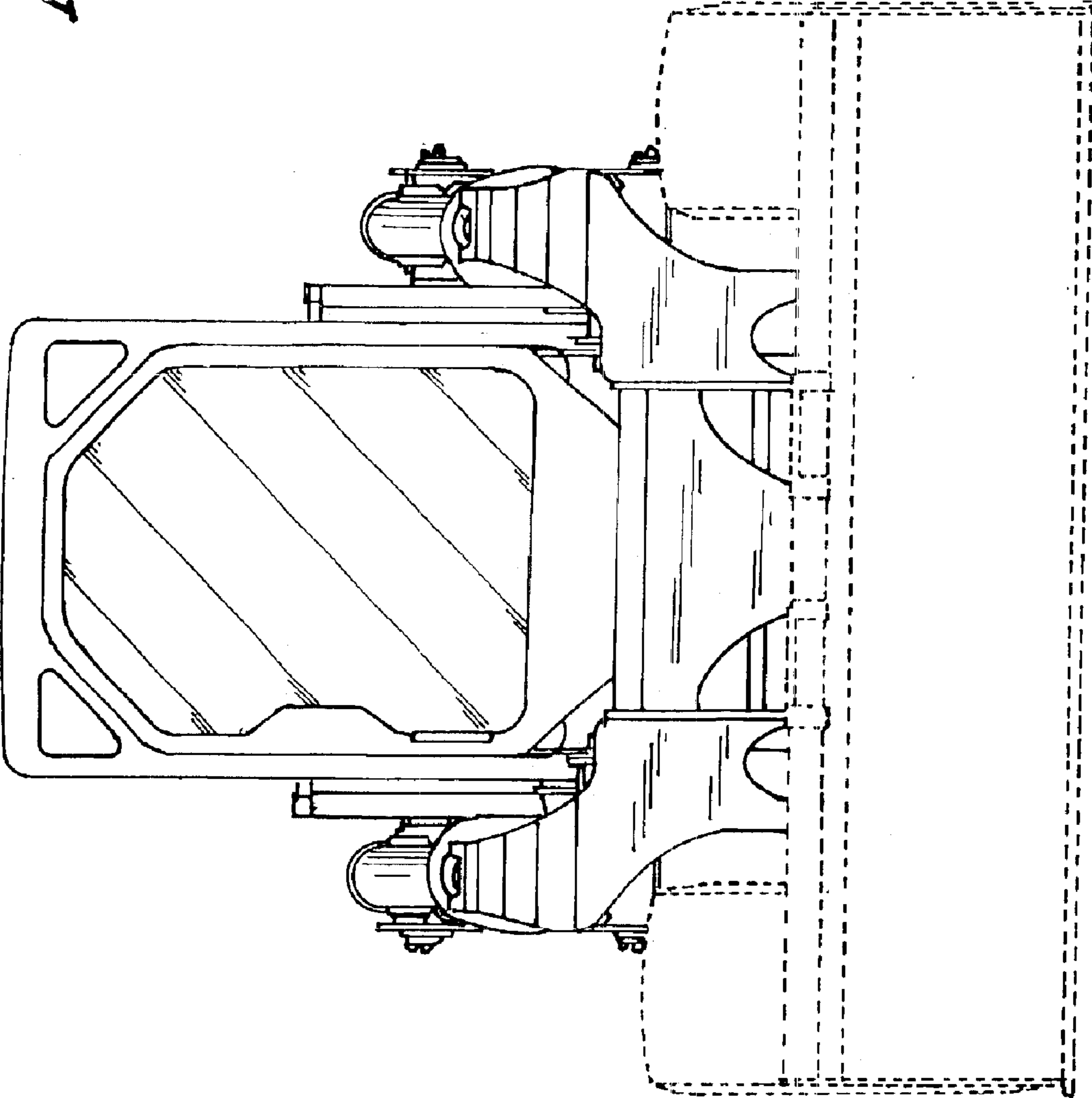
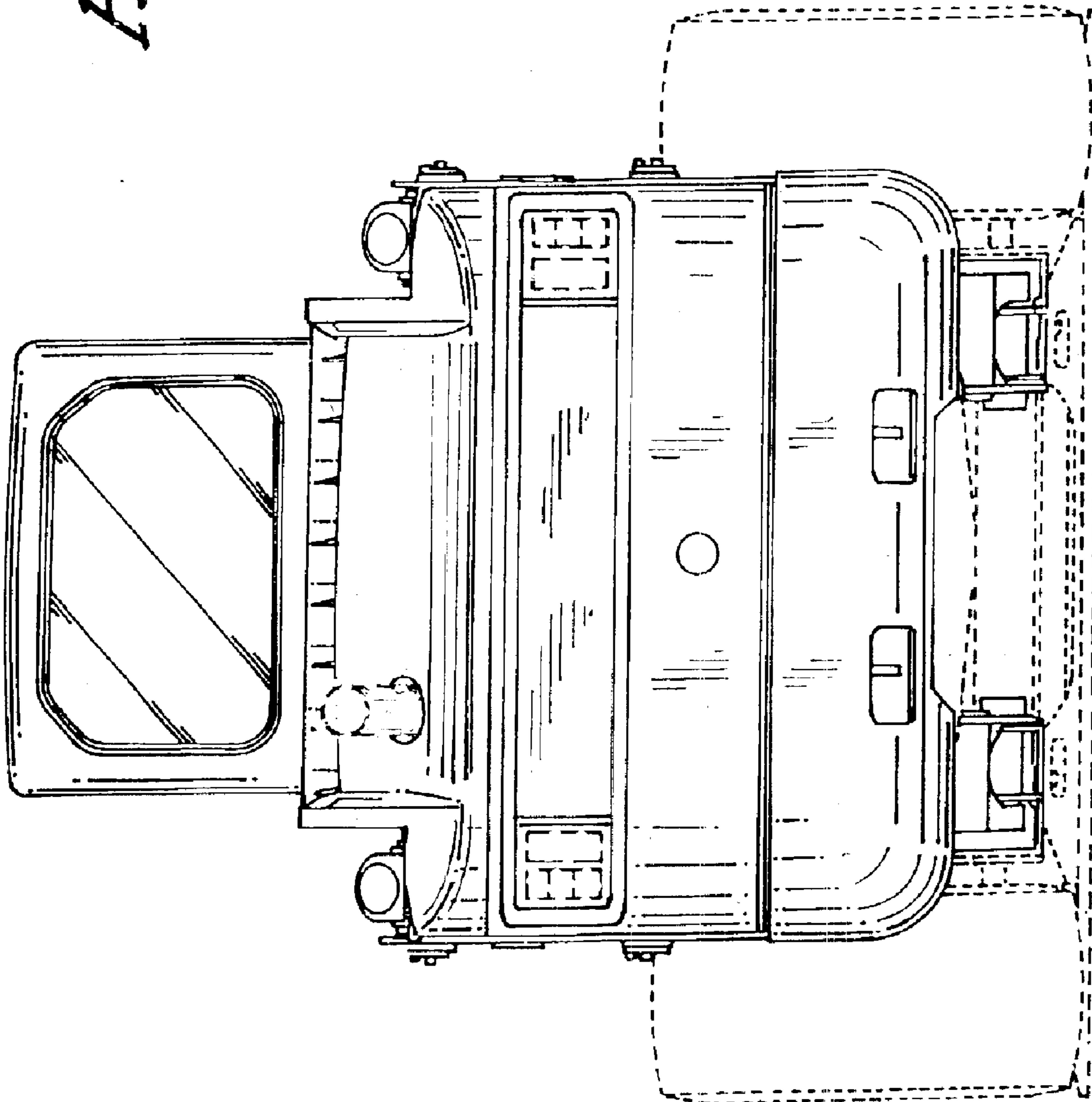


FIG. 5



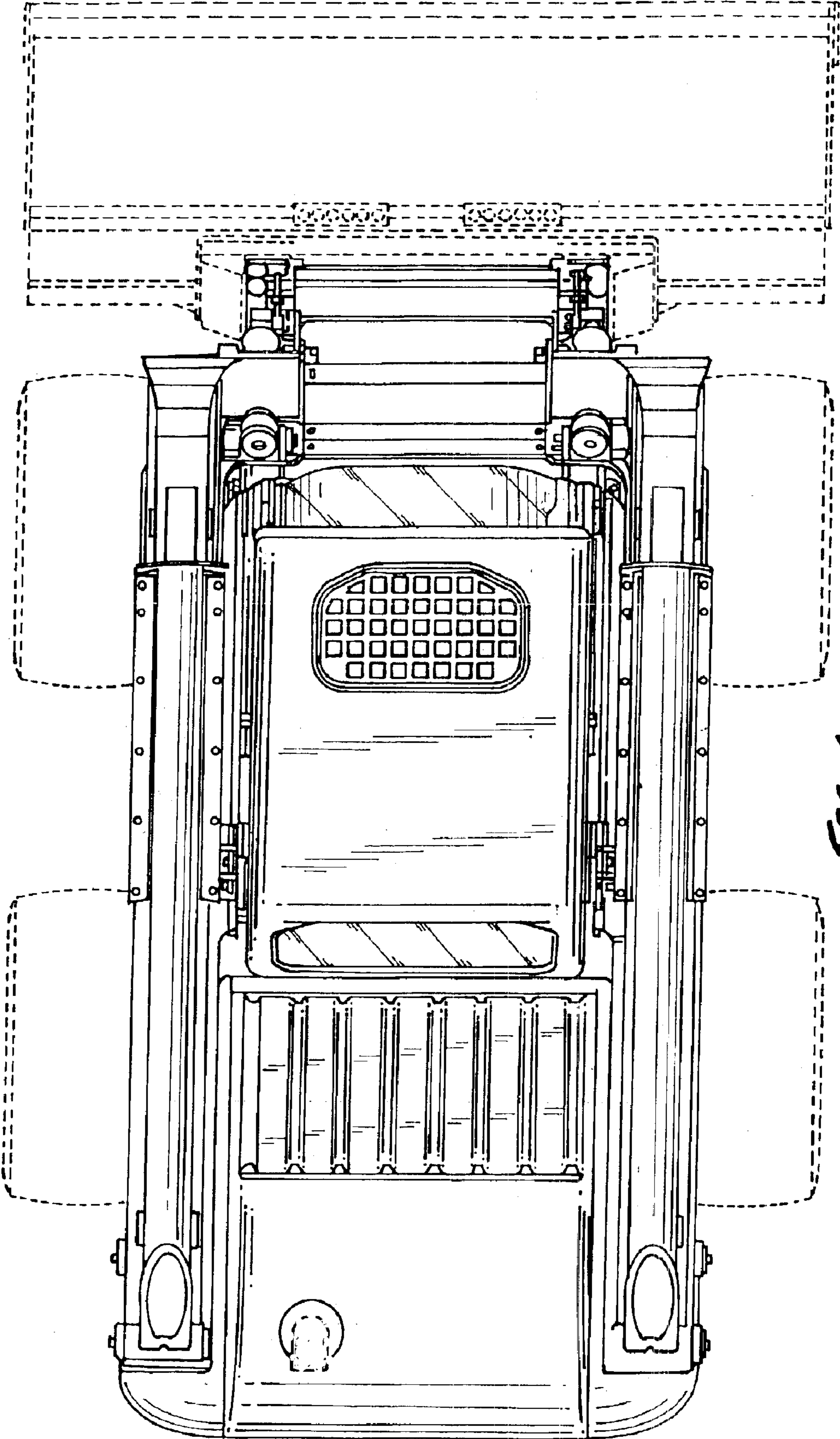


FIG. 6

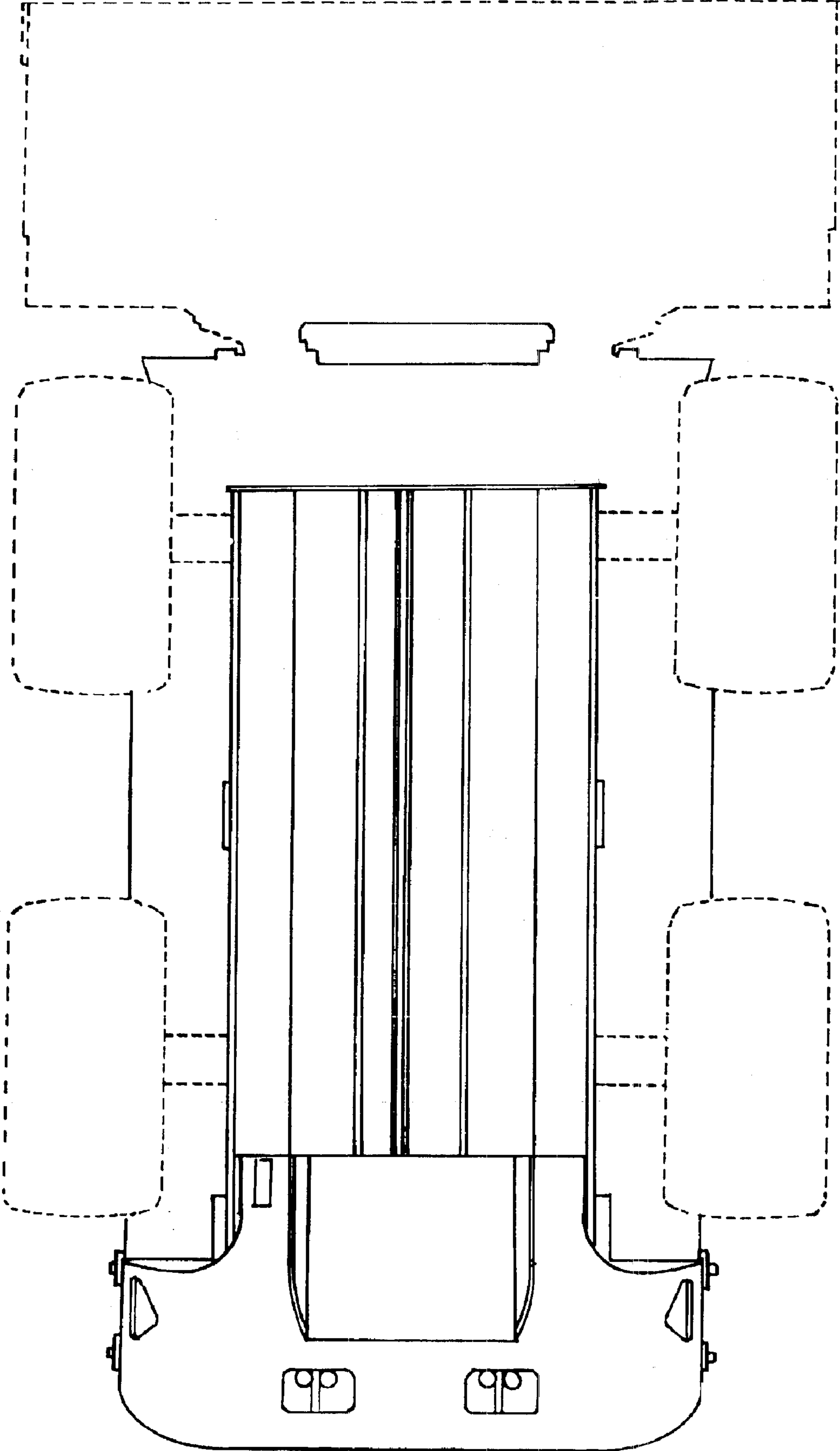


Fig. 7