

US00D504135S

(12) **United States Design Patent** (10) **Patent No.:** **US D504,135 S**
Simpson et al. (45) **Date of Patent:** **** Apr. 19, 2005**

(54) **CEMENT MIXER ASSEMBLY**

(75) Inventors: **Andrew Edwin Simpson**, Buxton (GB); **Martin James Hall**, Buxton (GB)

(73) Assignee: **Belle Engineering (Sheen) Limited**, Derbyshire (GB)

(**) Term: **14 Years**

(21) Appl. No.: **29/197,336**

(22) Filed: **Jan. 14, 2004**

(30) **Foreign Application Priority Data**

Jul. 14, 2003 (EM) 51586

(51) **LOC (7) Cl.** **15-03**

(52) **U.S. Cl.** **D15/19**

(58) **Field of Search** D15/10, 19, 28; 366/53, 54, 62, 63, 233; D8/349, 382, 383

(56) **References Cited**

U.S. PATENT DOCUMENTS

- D237,901 S * 12/1975 Moran D15/19
- D246,243 S * 11/1977 Violet et al. D15/19
- D260,150 S * 8/1981 Palmer D15/19
- D278,150 S * 3/1985 Burenga D15/19
- D319,832 S * 9/1991 Ross D15/19
- D421,613 S * 3/2000 Shiotani D15/19

OTHER PUBLICATIONS

Photo, Cement Mixer, 1 pg., <http://www.thriftway.net/services/rentals/cement-mixer.jpg>, Jan. 20, 2004.

Photo, Cement Mixer MC 130, 1 pg, http://www.george-higgins.co.uk/cement_mixer.htm, Jan. 20, 2004.

Photo, Cement Mixer, 1 pg, <http://www.worksaver.com/mix/580mix3.gif>, Jan. 20, 2004.

Photo, Cement Mixer, 1 pg, <http://www.harborfreight.com/cpi/photos/47500-47599/47558.gif>, Jan. 20, 2004.

“Berland’s Brainbuster”, Berland’s House of Tools, 1pg, <http://www.berlandtools.com/specials/brainbuster.html>, Jan. 20, 2004.

* cited by examiner

Primary Examiner—Mitchell Siegel
(74) *Attorney, Agent, or Firm*—Bracewell & Patterson, L.L.P.

(57) **CLAIM**

The ornamental design for a cement mixer assembly, as shown.

DESCRIPTION

FIG. 1 is a perspective view from front and right side of a cement mixer assembly embodying our new design.

FIG. 2 is a perspective view from front and left side of the cement mixer assembly, and shown in an alternative position.

FIG. 3 is a left side view of the cement mixer assembly.

FIG. 4 is a front view of the cement mixer assembly; and,

FIG. 5 is a rear view of the cement mixer assembly.

1 Claim, 3 Drawing Sheets

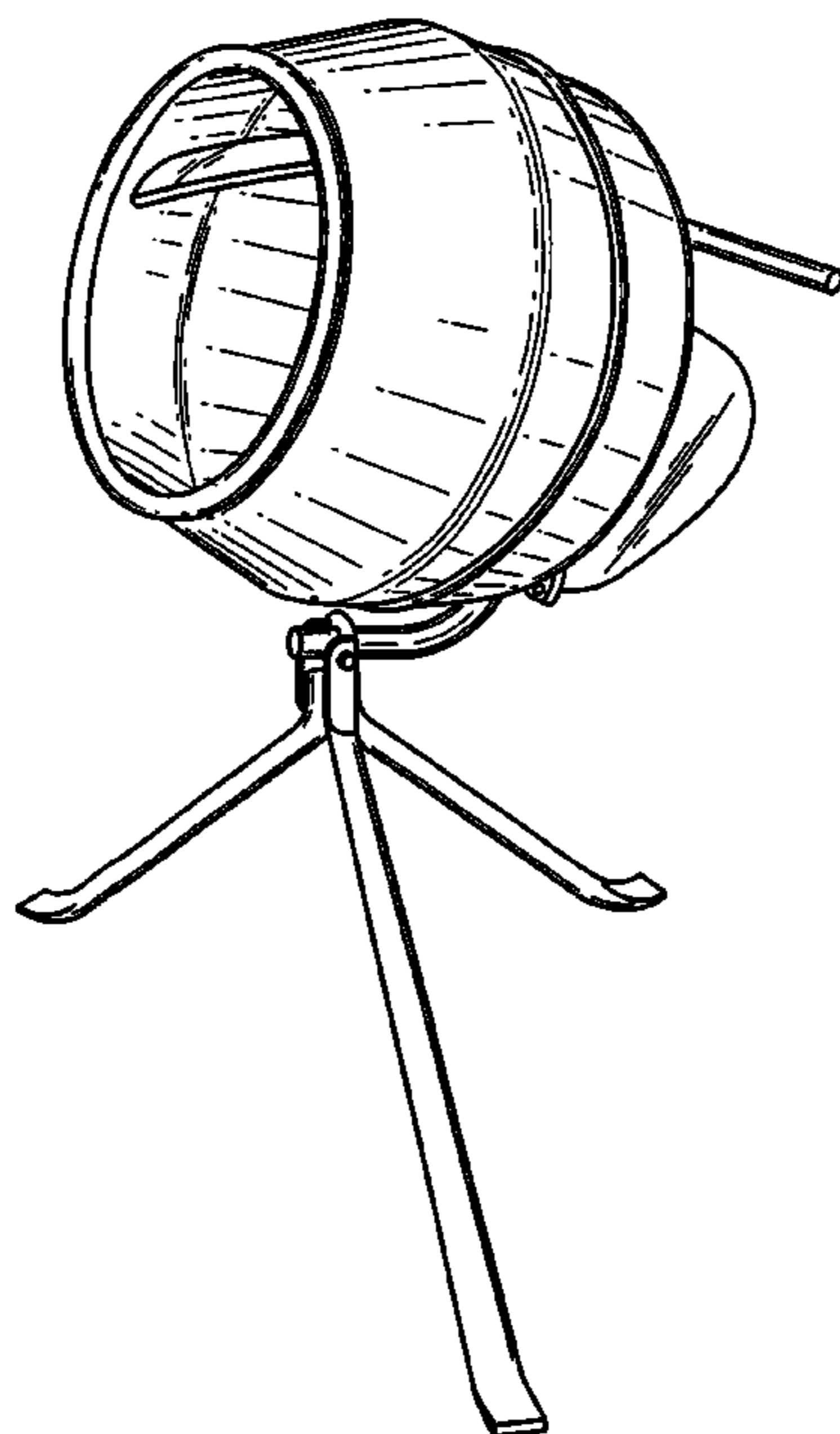


Fig. 2

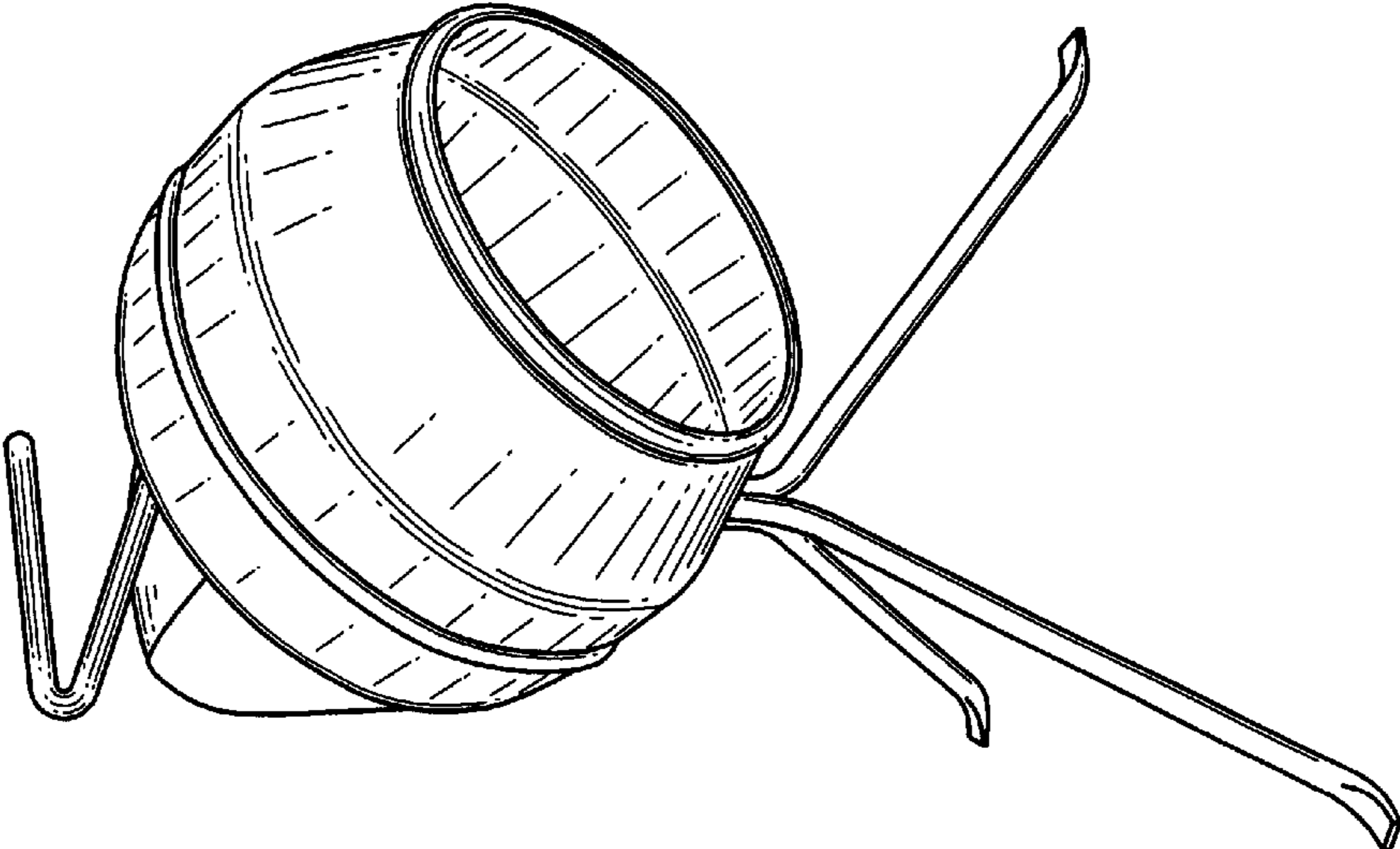


Fig. 1

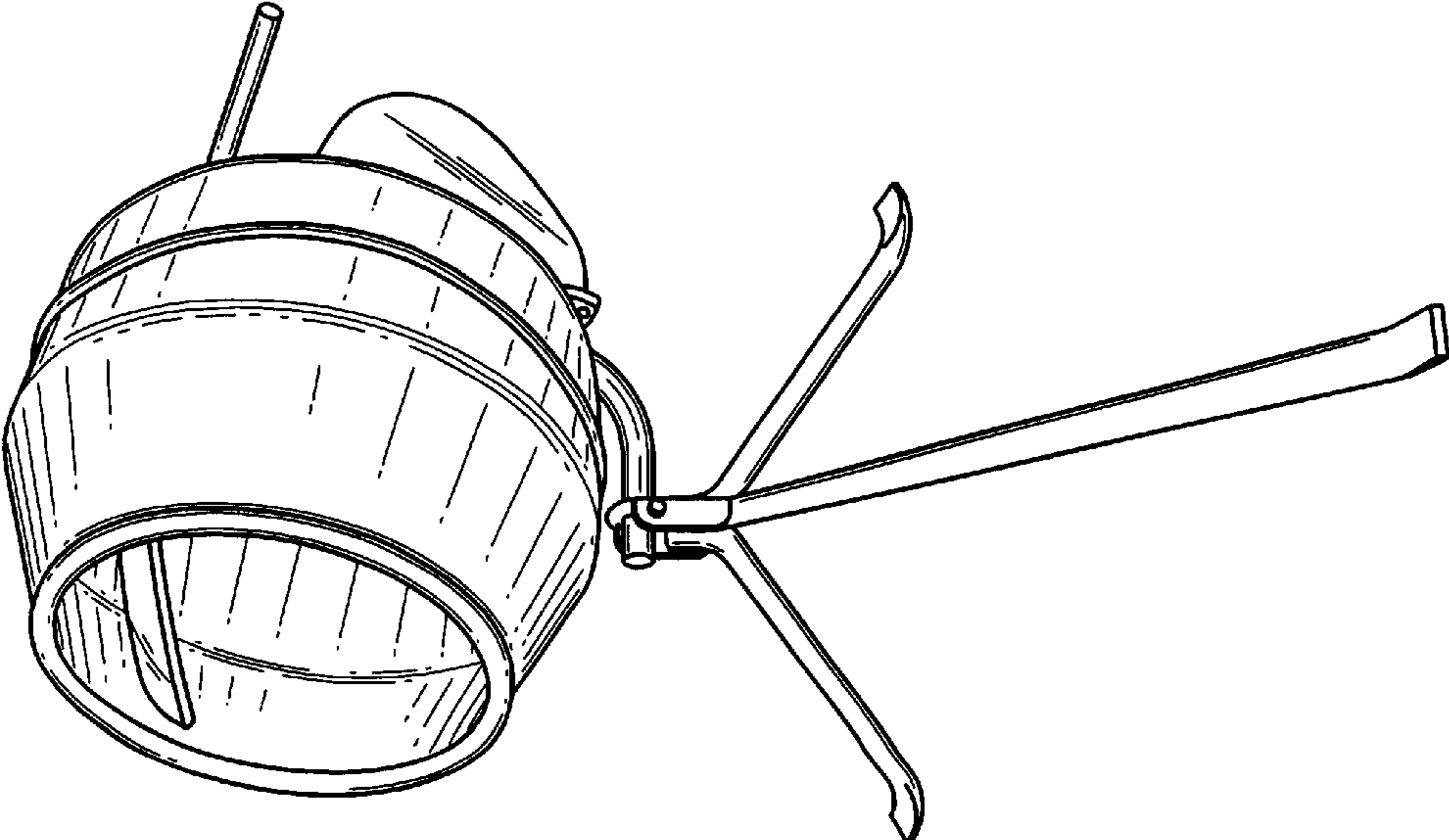


Fig. 4

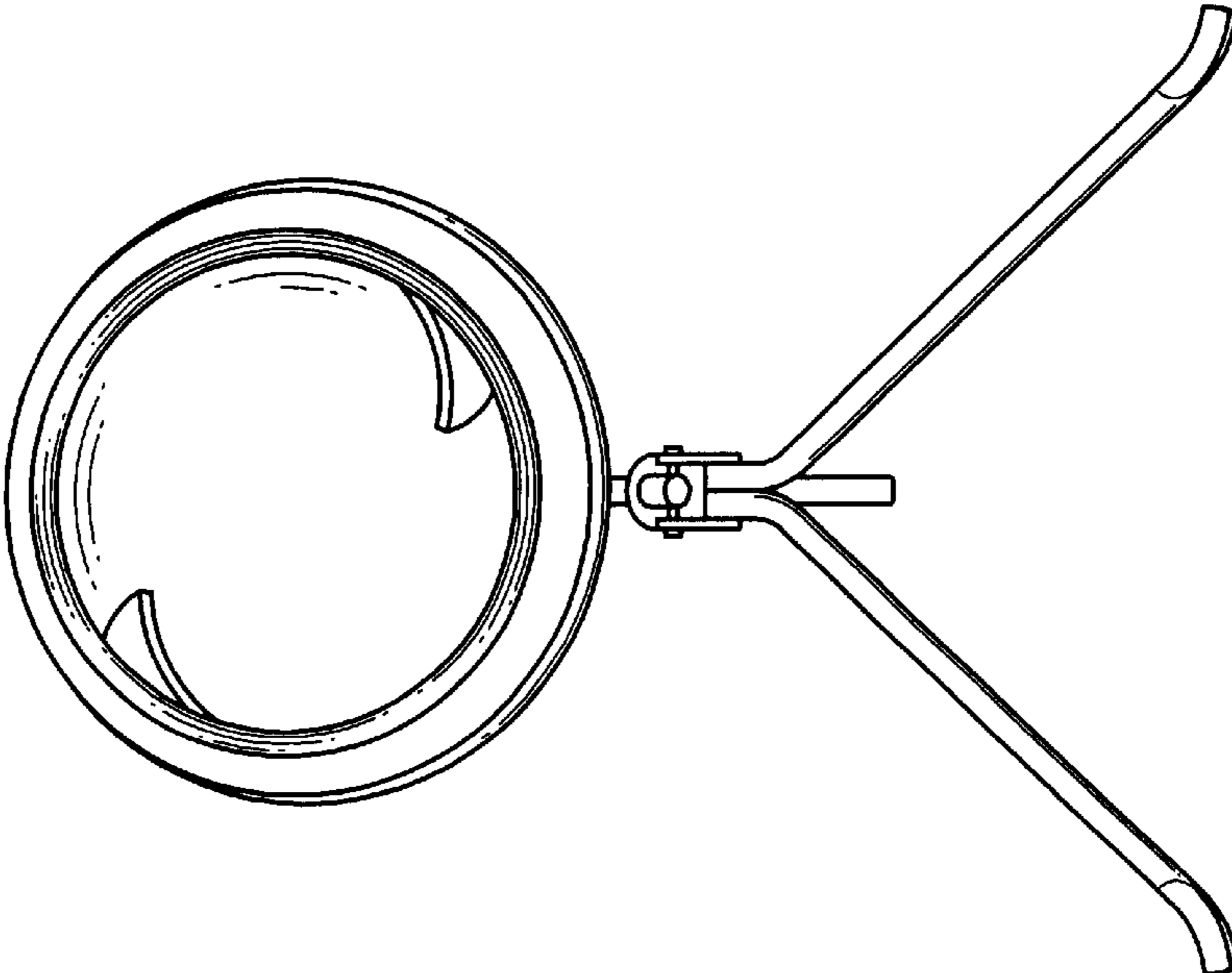


Fig. 3

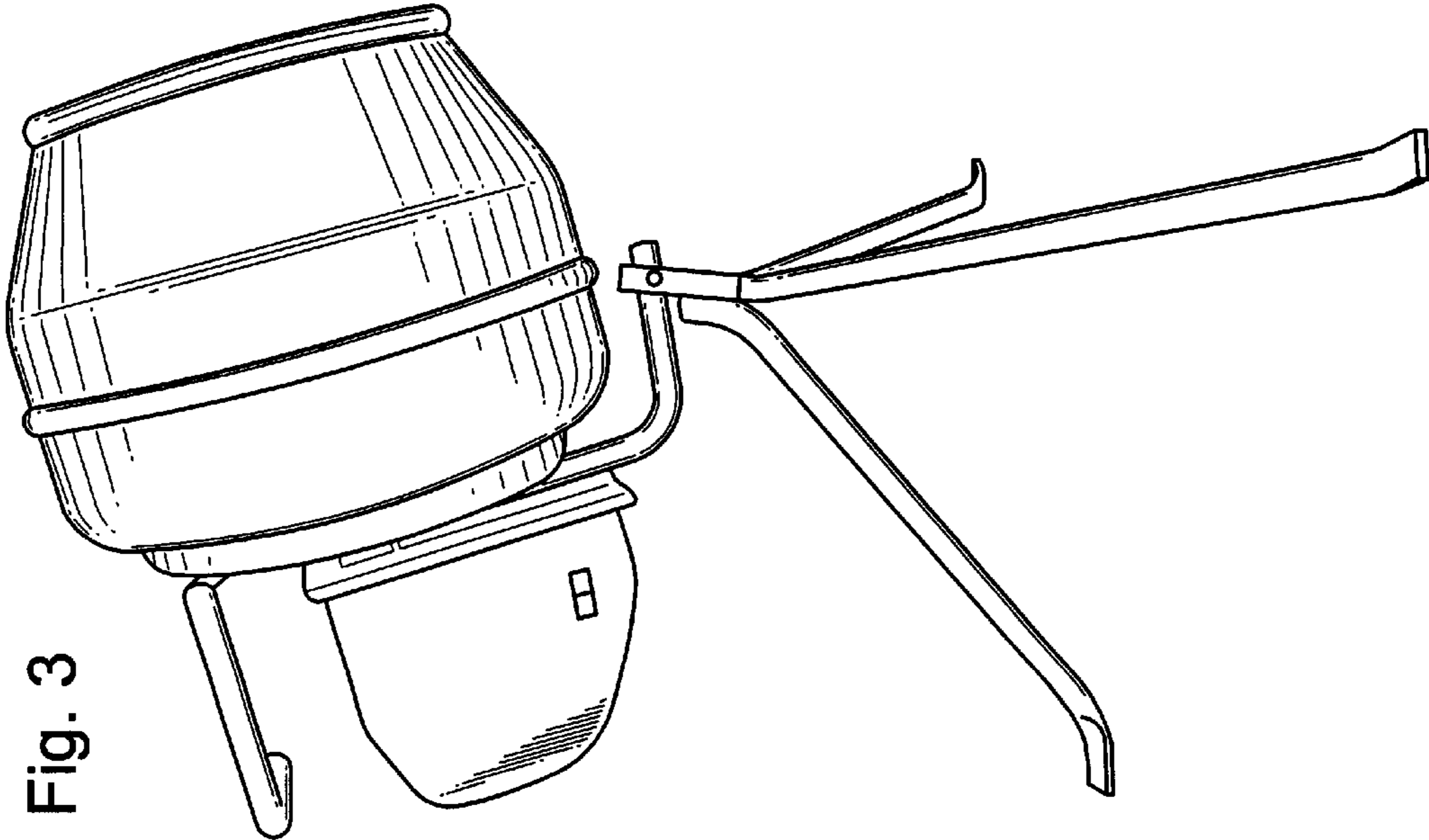


Fig. 5

