

US00D504134S

(12) **United States Design Patent**
McCormick

(10) **Patent No.:** **US D504,134 S**
(45) **Date of Patent:** **** Apr. 19, 2005**

(54) **SILT FENCE INSTALLING MACHINE**

(76) **Inventor:** **Christopher D. McCormick**, 185 Hwy.
92, Pleasantville, IA (US) 50225

(**) **Term:** **14 Years**

(21) **Appl. No.:** **29/212,991**

(22) **Filed:** **Sep. 10, 2004**

Related U.S. Application Data

(62) Division of application No. 29/197,603, filed on Jan. 17,
2004.

(51) **LOC (7) Cl.** **15-03**

(52) **U.S. Cl.** **D15/10**

(58) **Field of Search** D15/10, 21, 28;
37/367, 370, 380, 404, 468; 405/38, 270,
302.6, 116, 302.7

(56) **References Cited**

U.S. PATENT DOCUMENTS

3,182,459	A	5/1965	Grether et al.	
5,615,499	A *	4/1997	McGuire et al.	37/367
5,915,878	A *	6/1999	Carpenter	405/38
5,943,798	A *	8/1999	McGuire et al.	37/367
6,053,665	A *	4/2000	Richardson	405/302.6
6,158,923	A *	12/2000	Wheeler et al.	405/116

6,398,459	B1 *	6/2002	Vreeland	405/302.6
6,517,294	B1 *	2/2003	Vreeland	405/302.7
6,796,747	B1 *	9/2004	Vreeland	405/302.7
2002/0192029	A1 *	12/2002	Vreeland	405/116

OTHER PUBLICATIONS

Photos of silt fence machine sold by Gary Harms d/b/
aUniversal Welding of Wellsburg, IA at least as early as Aug.
1, 2002.

* cited by examiner

Primary Examiner—Mitchell Siegel

(74) *Attorney, Agent, or Firm*—Allan L. Harms

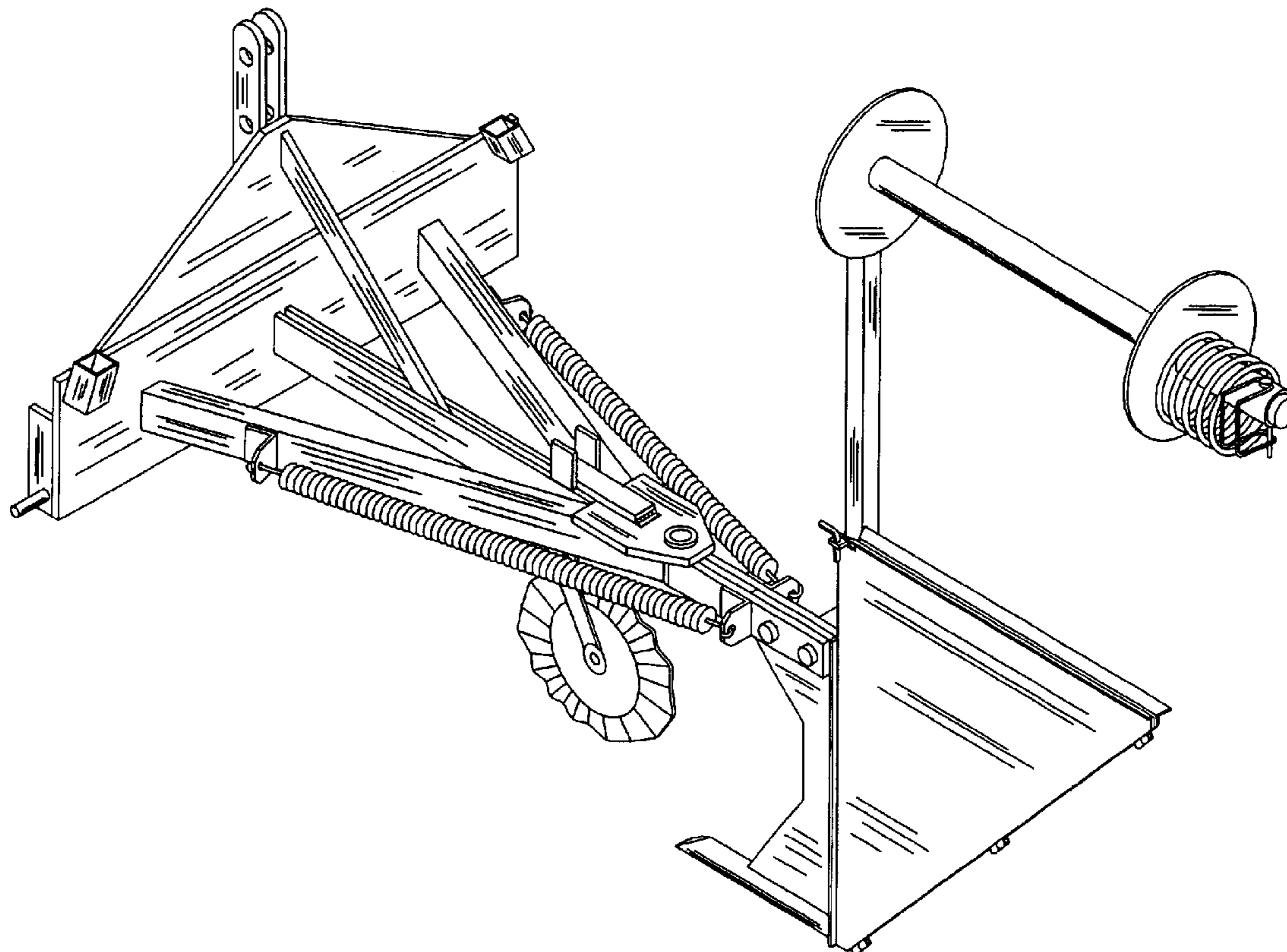
(57) **CLAIM**

I claim the ornamental design for a silt fence installing
machine, as shown and described.

DESCRIPTION

FIG. 1 is a left rear perspective view of a silt fence installing
machine showing my new design;
FIG. 2 is a front elevation thereof;
FIG. 3 is a rear elevation thereof;
FIG. 4 is a left end view thereof;
FIG. 5 is a right end view thereof;
FIG. 6 is a top view thereof; and,
FIG. 7 is a bottom view thereof.

1 Claim, 7 Drawing Sheets



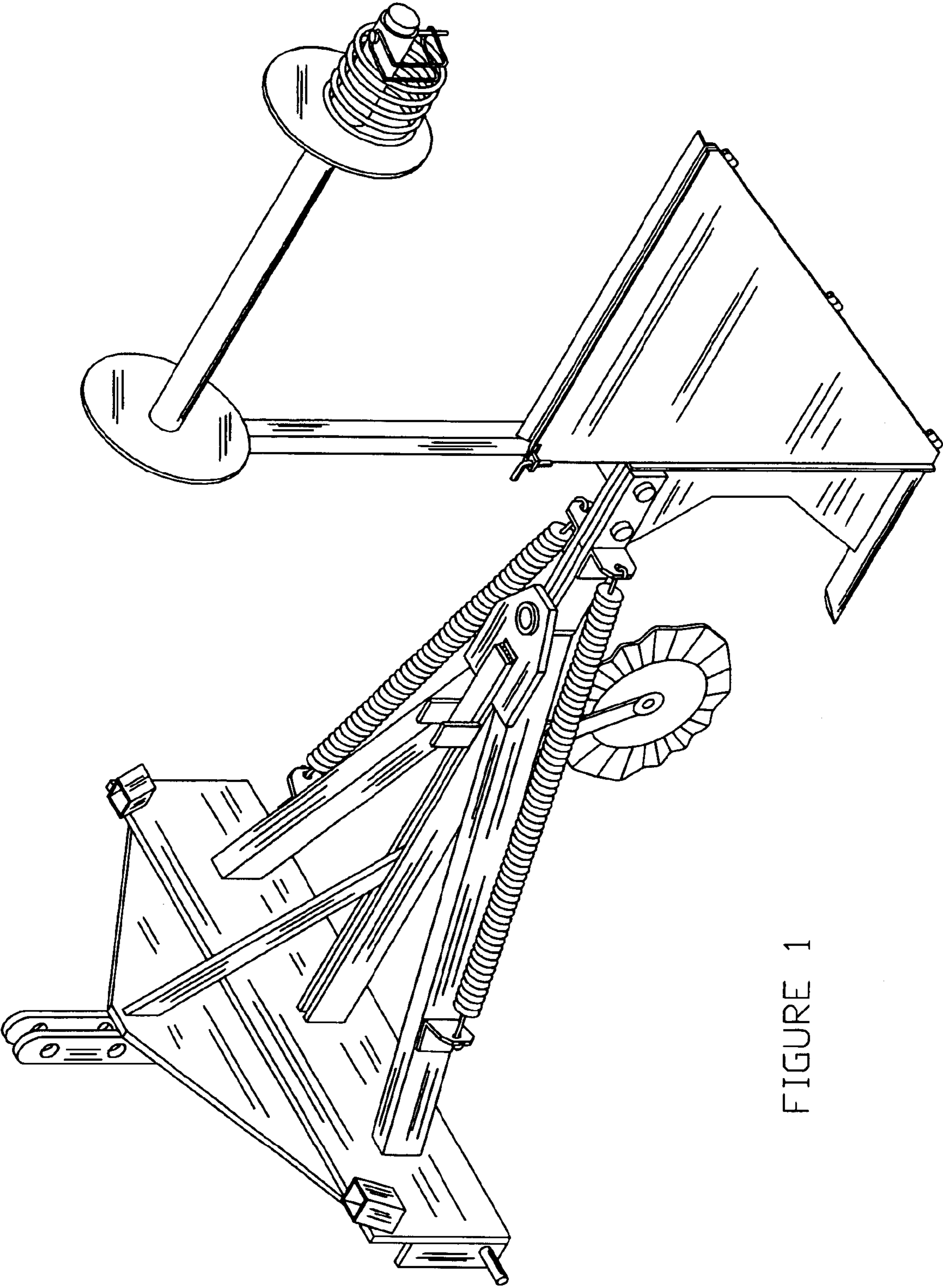


FIGURE 1

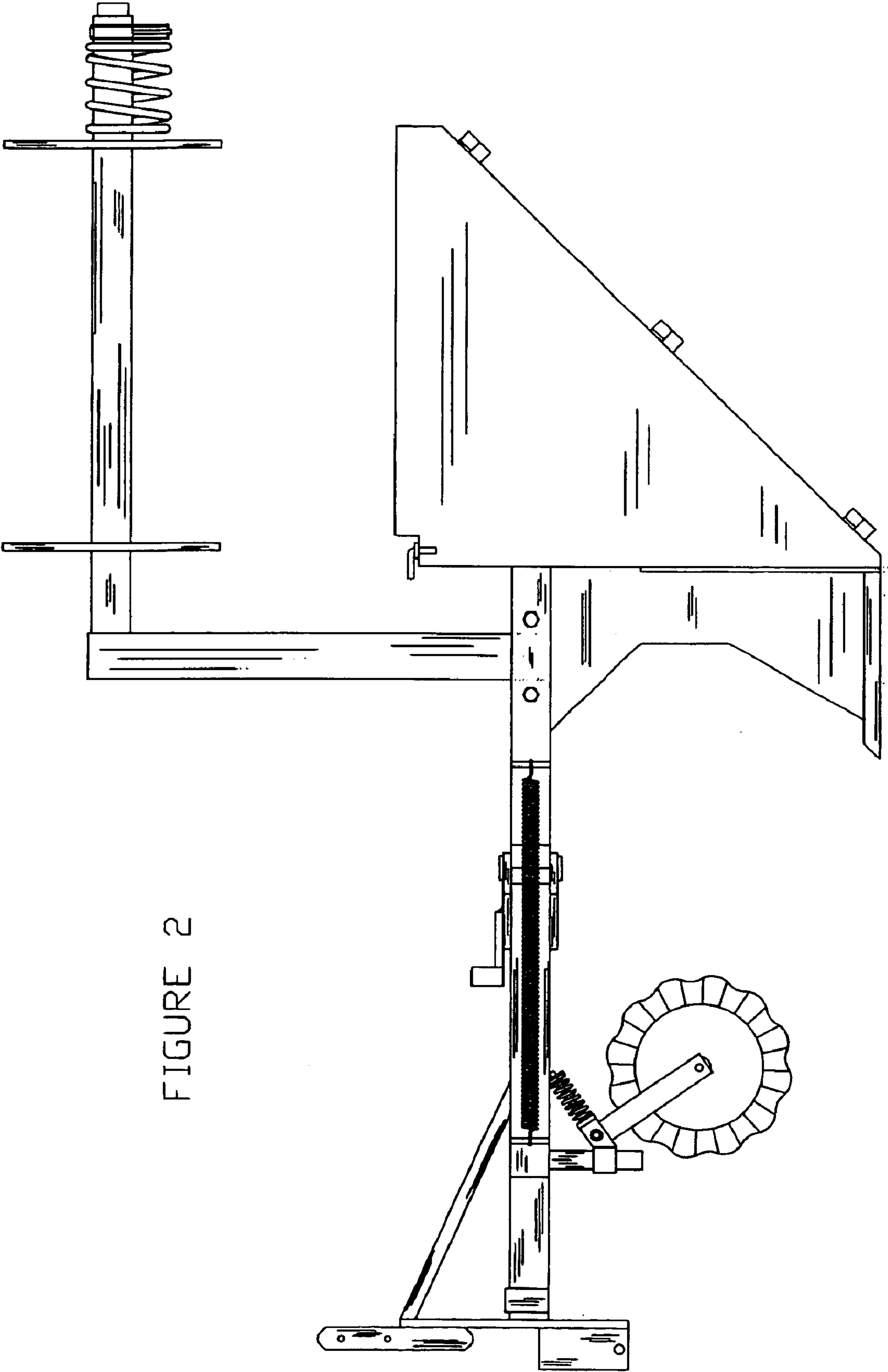


FIGURE 2

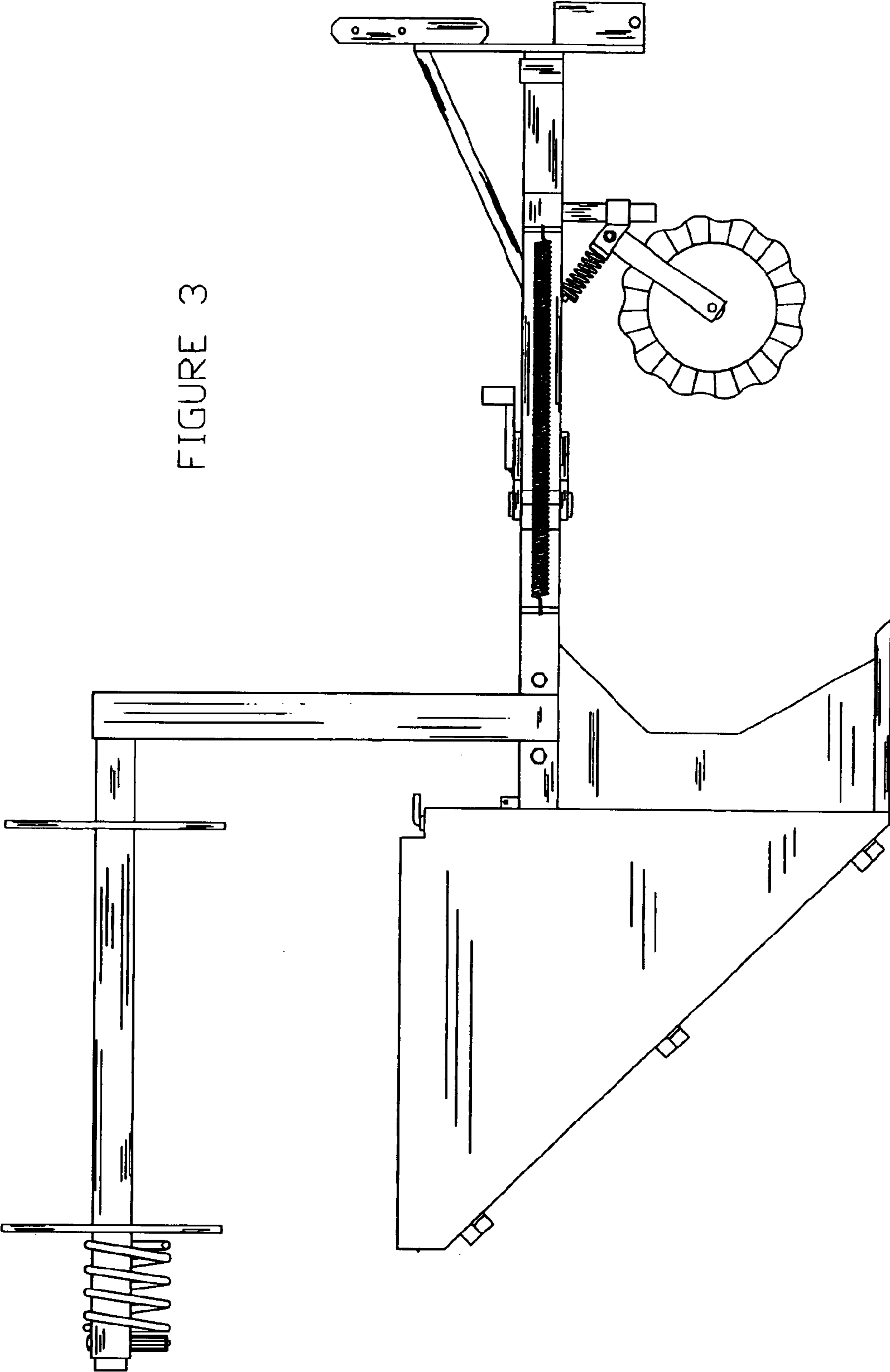


FIGURE 3

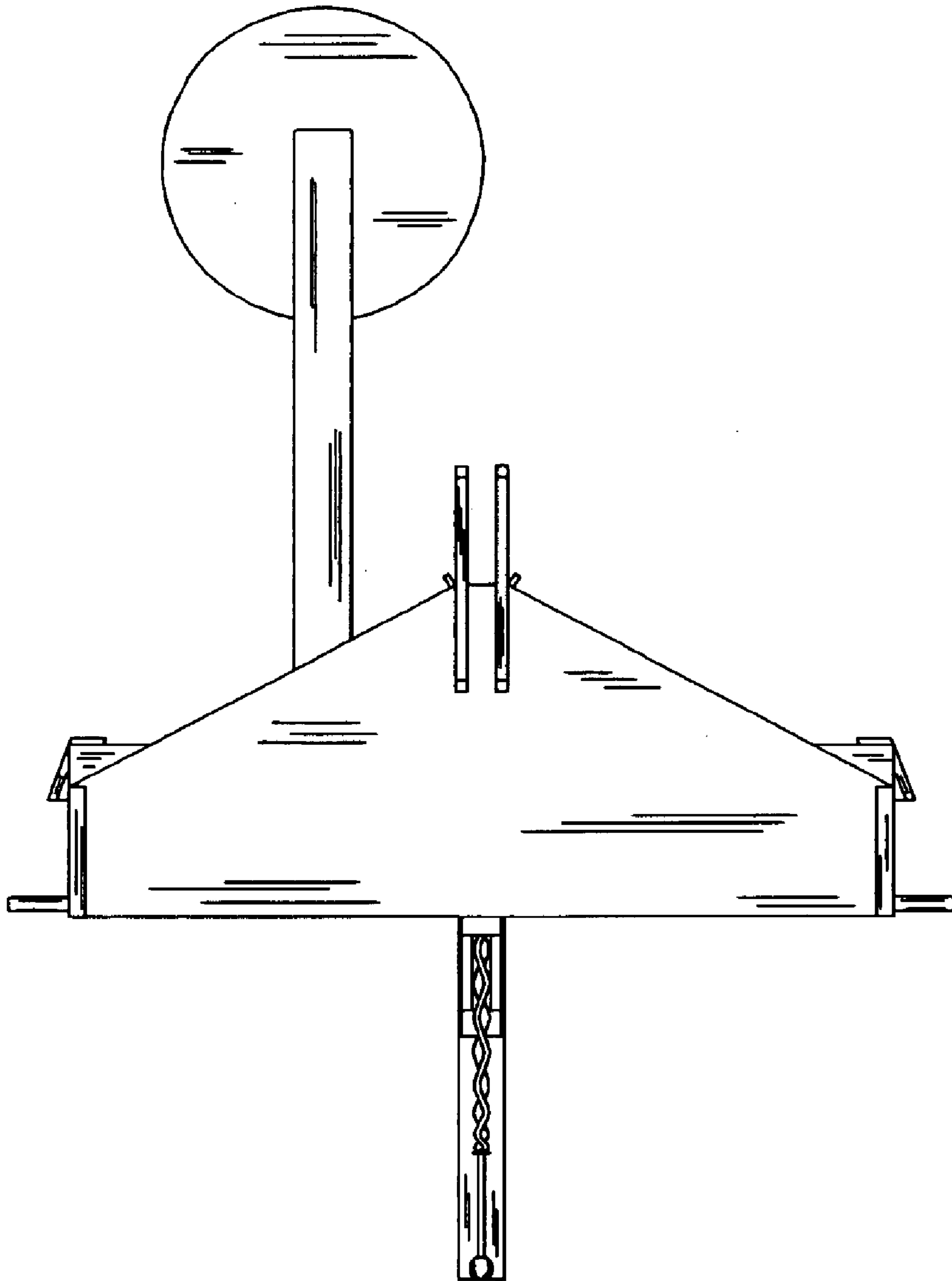


FIGURE 4

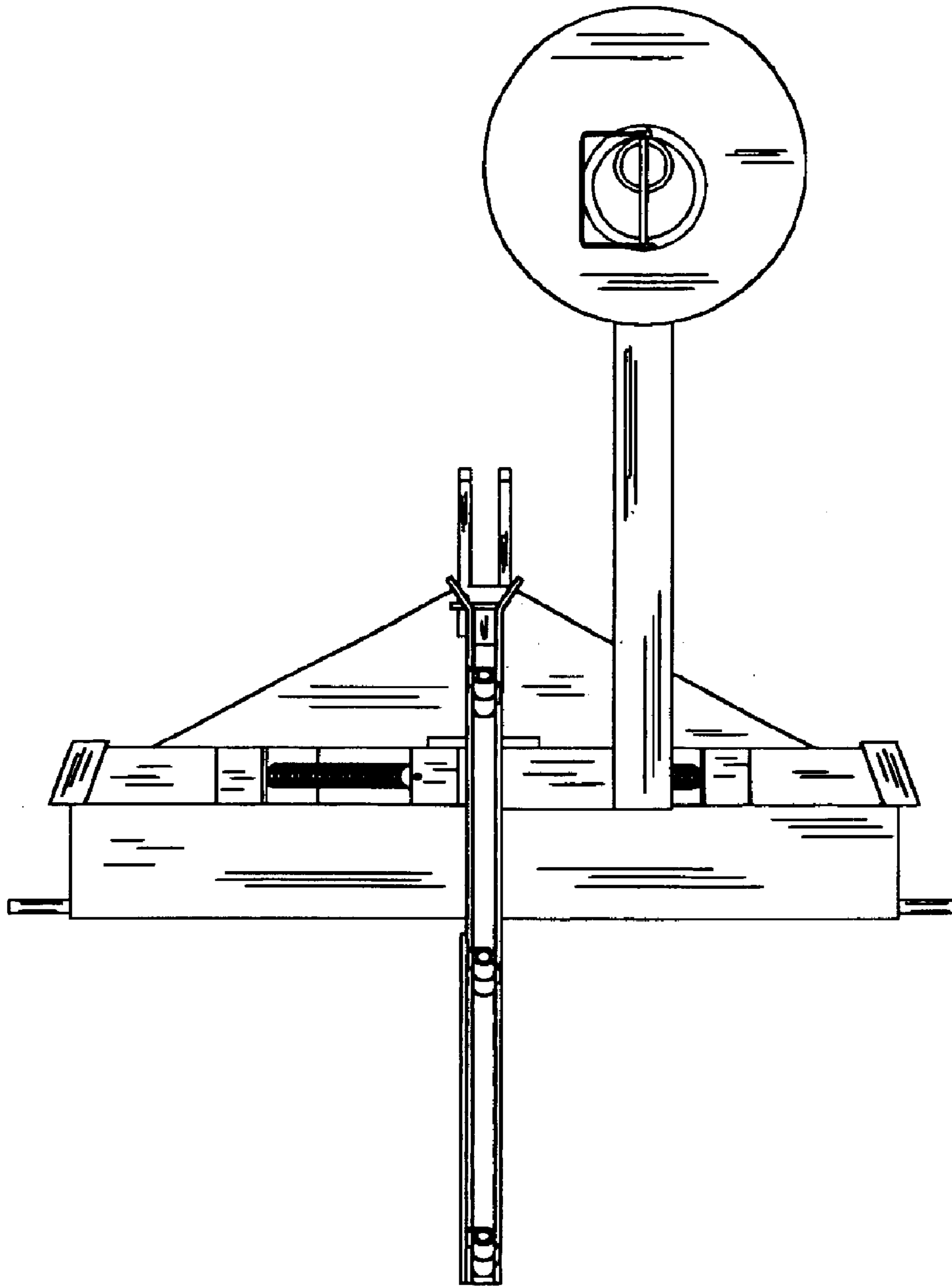


FIGURE 5

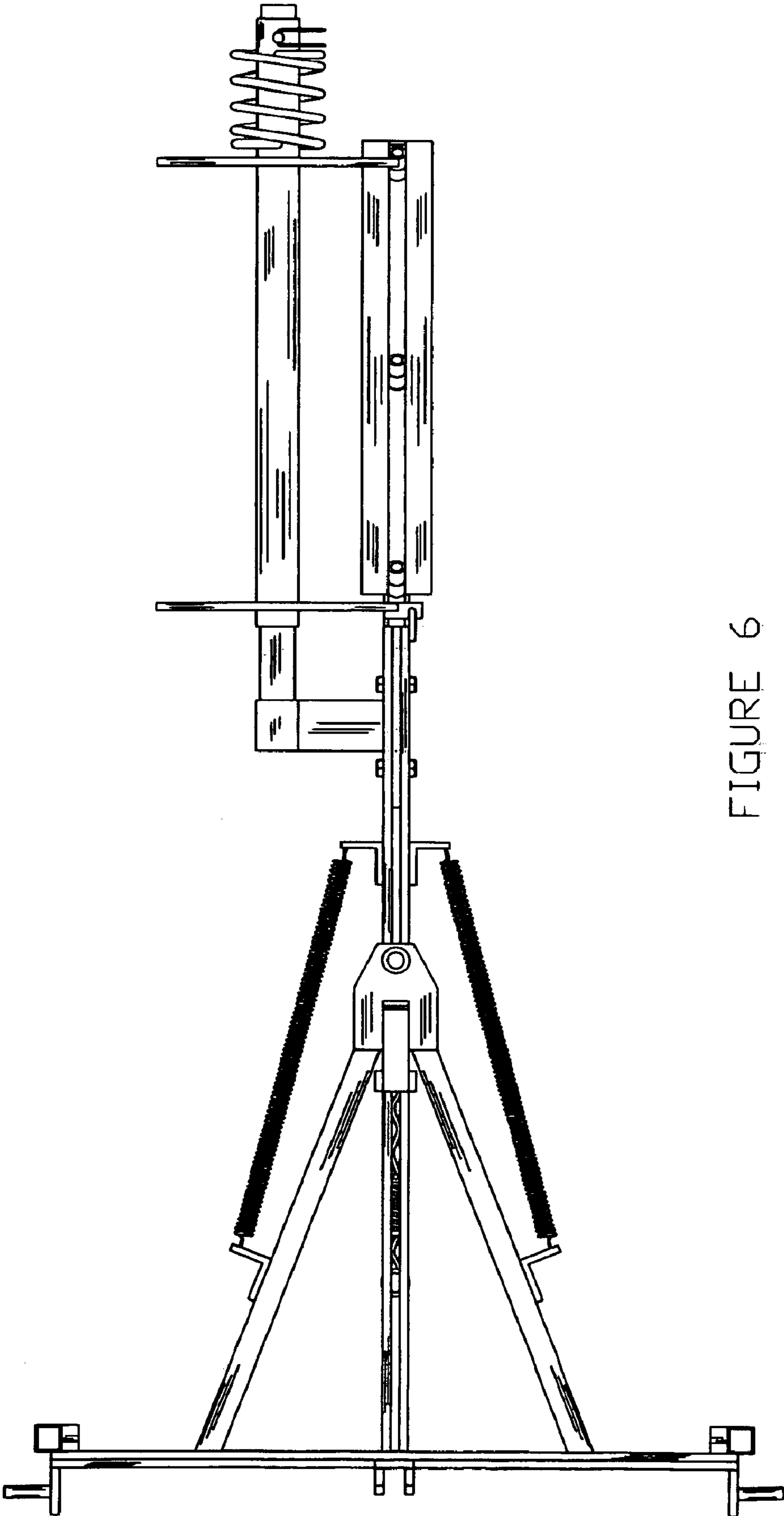


FIGURE 6

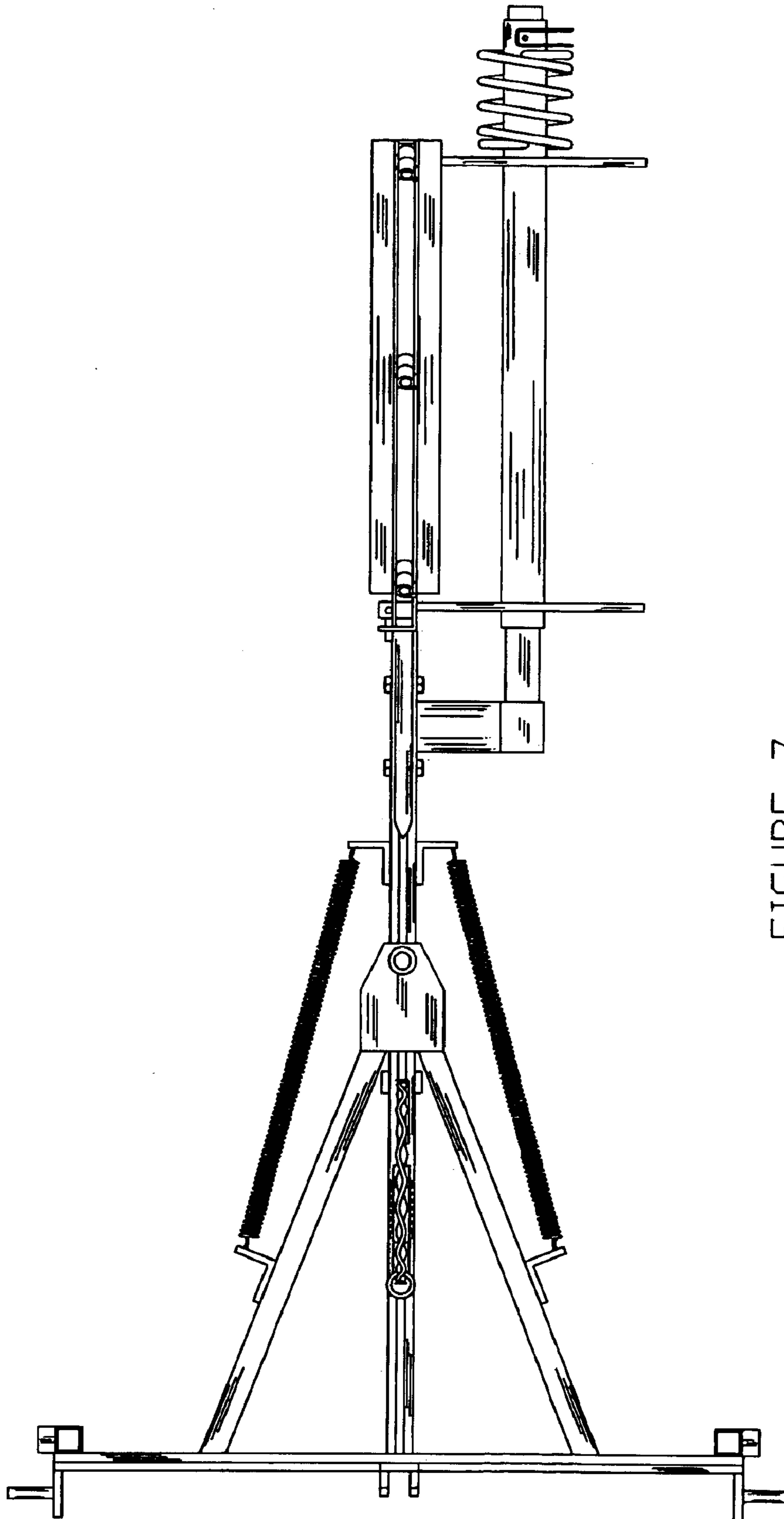


FIGURE 7