

US00D504128S

(12) **United States Design Patent**
Maskatia

(10) **Patent No.: US D504,128 S**

(45) **Date of Patent: ** Apr. 19, 2005**

(54) **NOTEBOOK COMPUTER**

(75) **Inventor: Arif Maskatia, San Jose, CA (US)**

(73) **Assignee: Acer Incorporated, Taipei-Hsien (TW)**

(**) **Term: 14 Years**

(21) **Appl. No.: 29/204,111**

(22) **Filed: Apr. 26, 2004**

(51) **LOC (7) Cl. 14-02**

(52) **U.S. Cl. D14/318**

(58) **Field of Search** D14/315-328;
235/145 A, 145 R; 341/22, 23; 345/104,
156, 168, 169; 361/680-686, 690-696;
400/486, 489; D18/1, 2, 7; 348/373

(56) **References Cited**

U.S. PATENT DOCUMENTS

- D310,071 S * 8/1990 Kit D14/315
- 5,475,563 A * 12/1995 Donahoe et al. 361/695
- D417,204 S * 11/1999 Liu et al. D14/318
- 6,067,224 A * 5/2000 Nobuchi 361/683
- D426,574 S * 6/2000 Chan D14/318
- 6,323,902 B1 * 11/2001 Ishikawa 348/373

D477,316 S * 7/2003 Ogasawara D14/327

* cited by examiner

Primary Examiner—Freda S. Nunn

(74) *Attorney, Agent, or Firm*—Winston Hsu

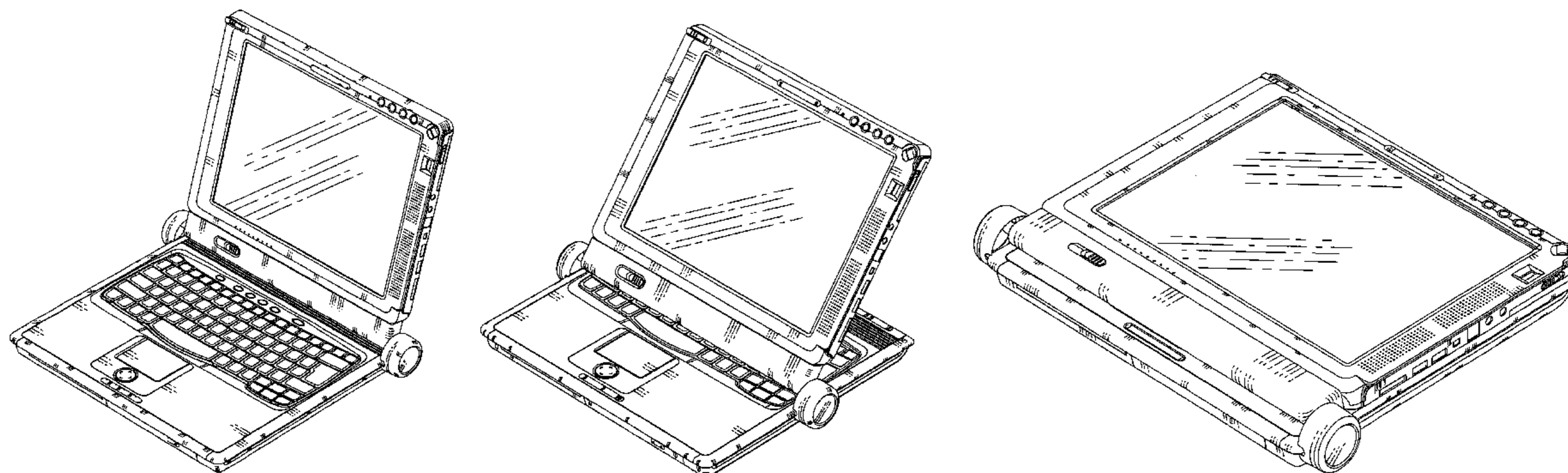
(57) **CLAIM**

The ornamental design for a notebook computer, as shown and described.

DESCRIPTION

FIG. 1 is a top plan view of a notebook computer showing our new design;
 FIG. 2 is a left side elevational view thereof;
 FIG. 3 is a right side elevational view thereof;
 FIG. 4 is a rear elevational view thereof;
 FIG. 5 is a front elevational view thereof;
 FIG. 6 is a perspective view thereof when opening its panel.
 FIG. 7 is a perspective view thereof with the panel halfway installed.
 FIG. 8 is a perspective view thereof with the panel forefront installed; and,
 FIG. 9 is a perspective view thereof with the panel facing top.

1 Claim, 9 Drawing Sheets



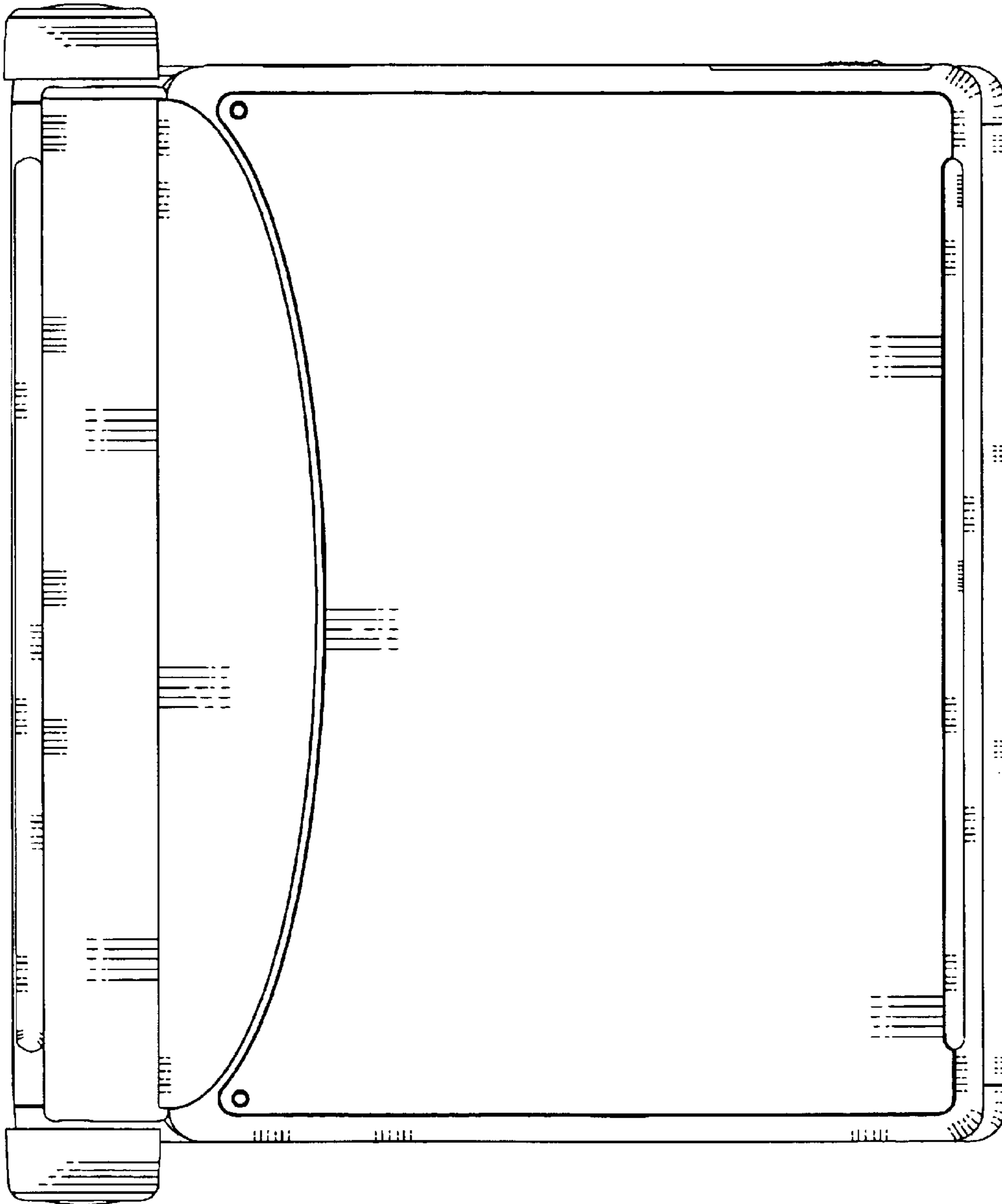


Fig. 1

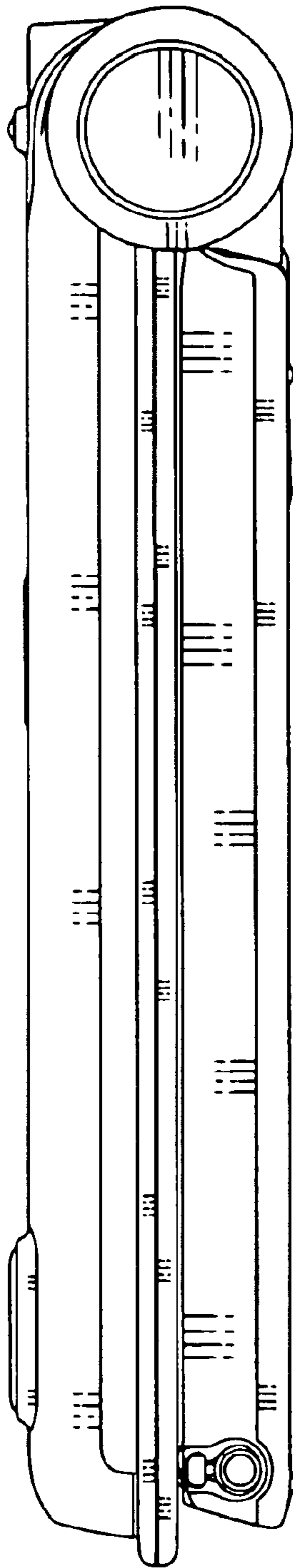


Fig. 2

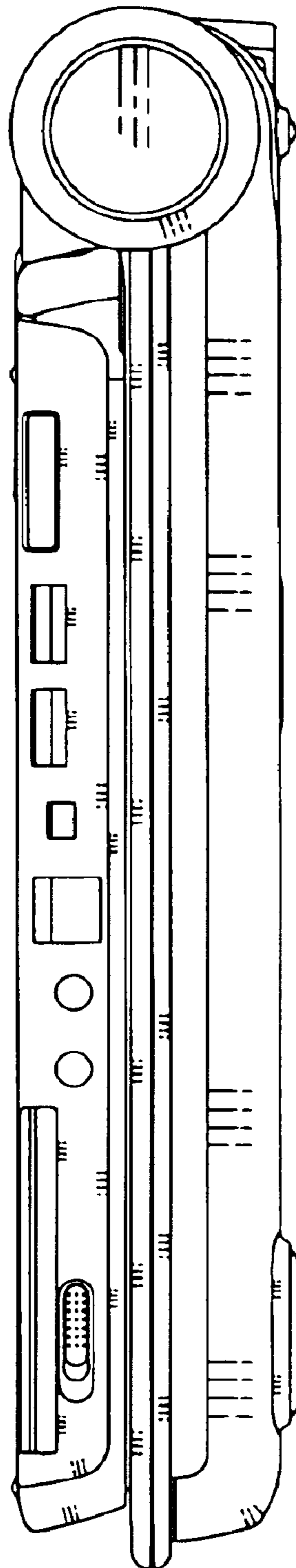


Fig. 3

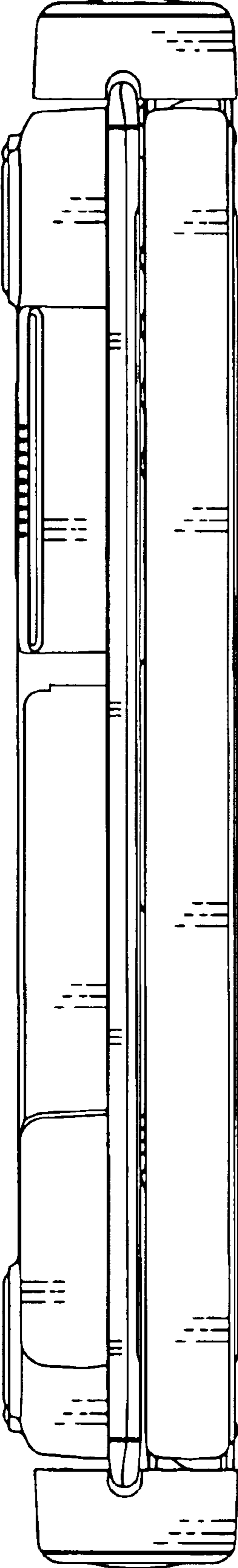


Fig. 4

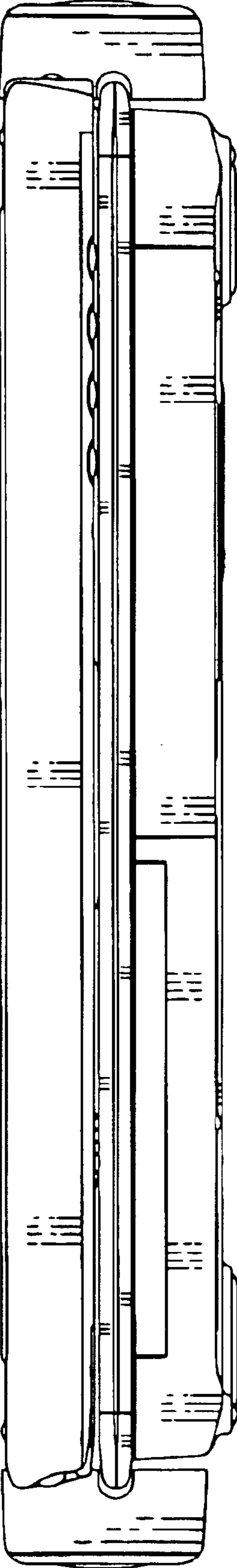


Fig. 5

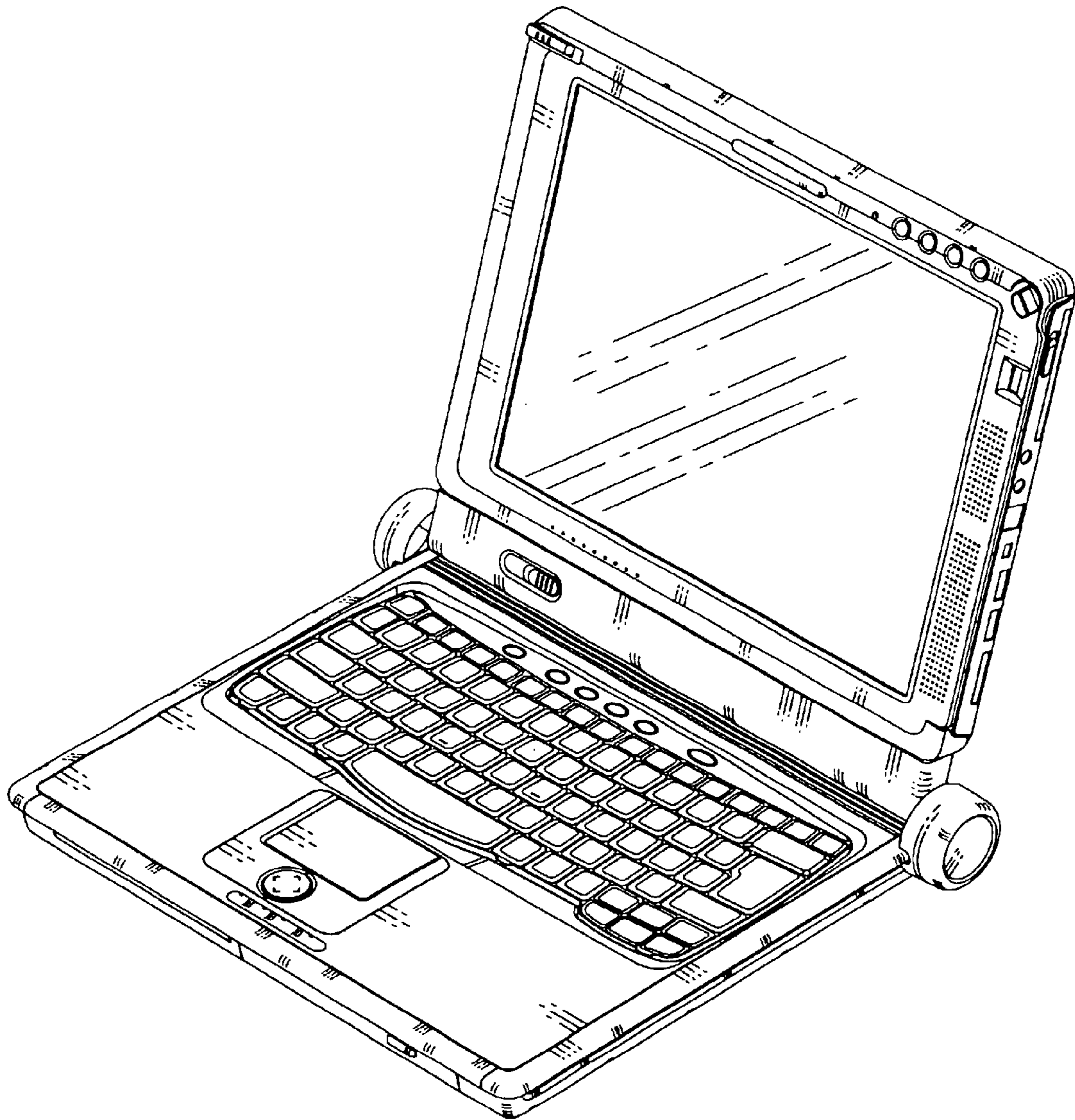


Fig. 6

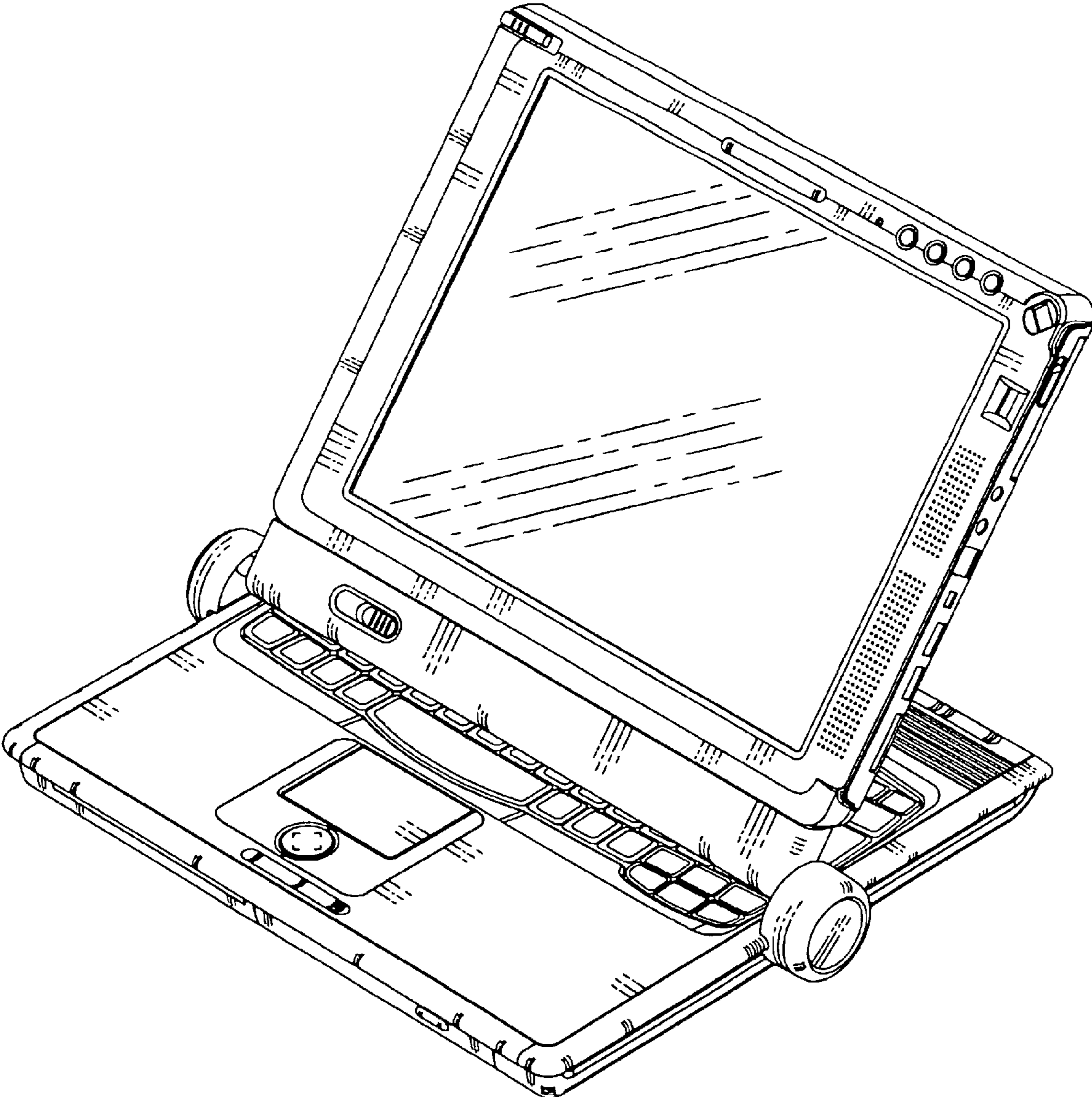


Fig. 7

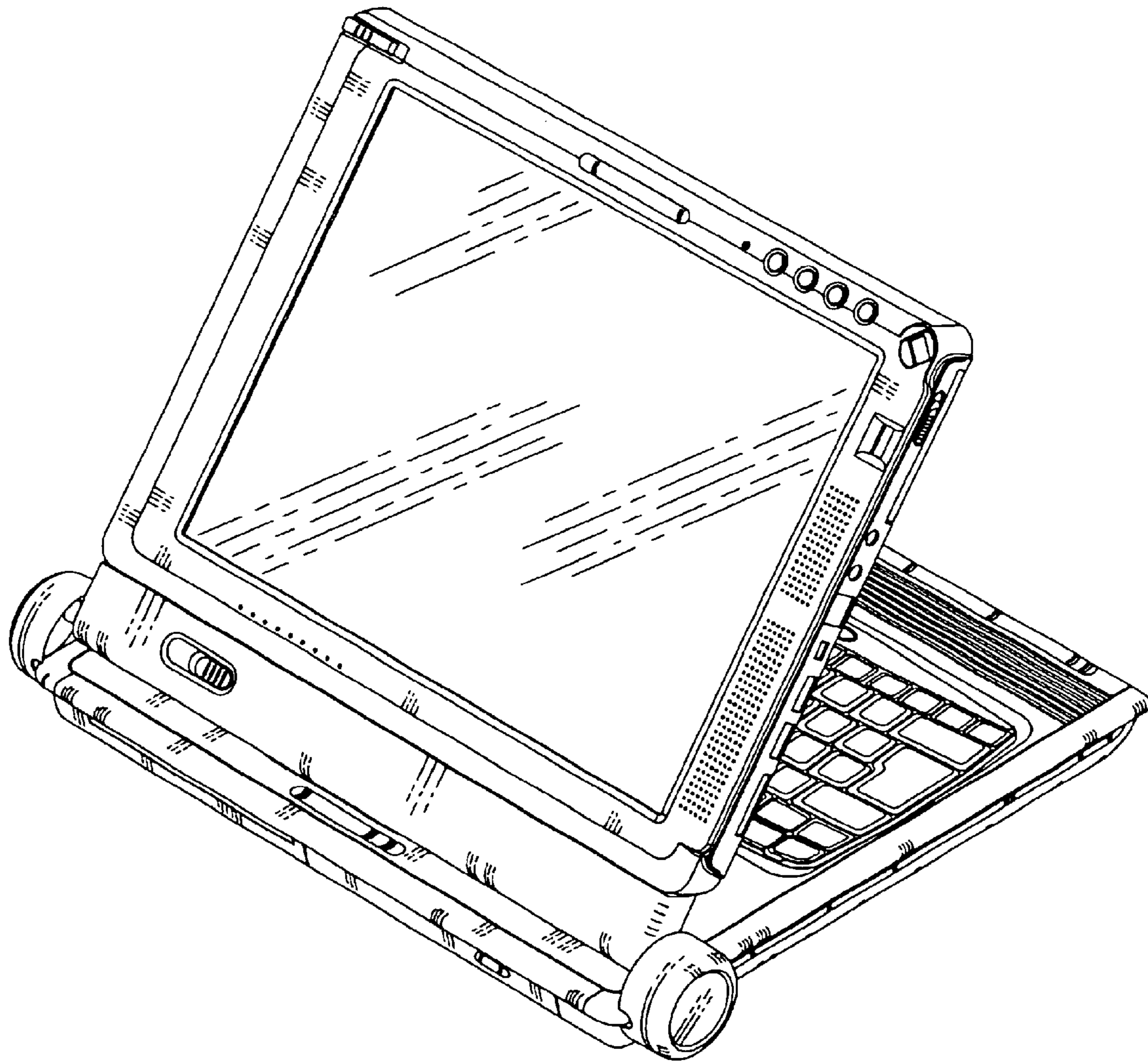


Fig. 8

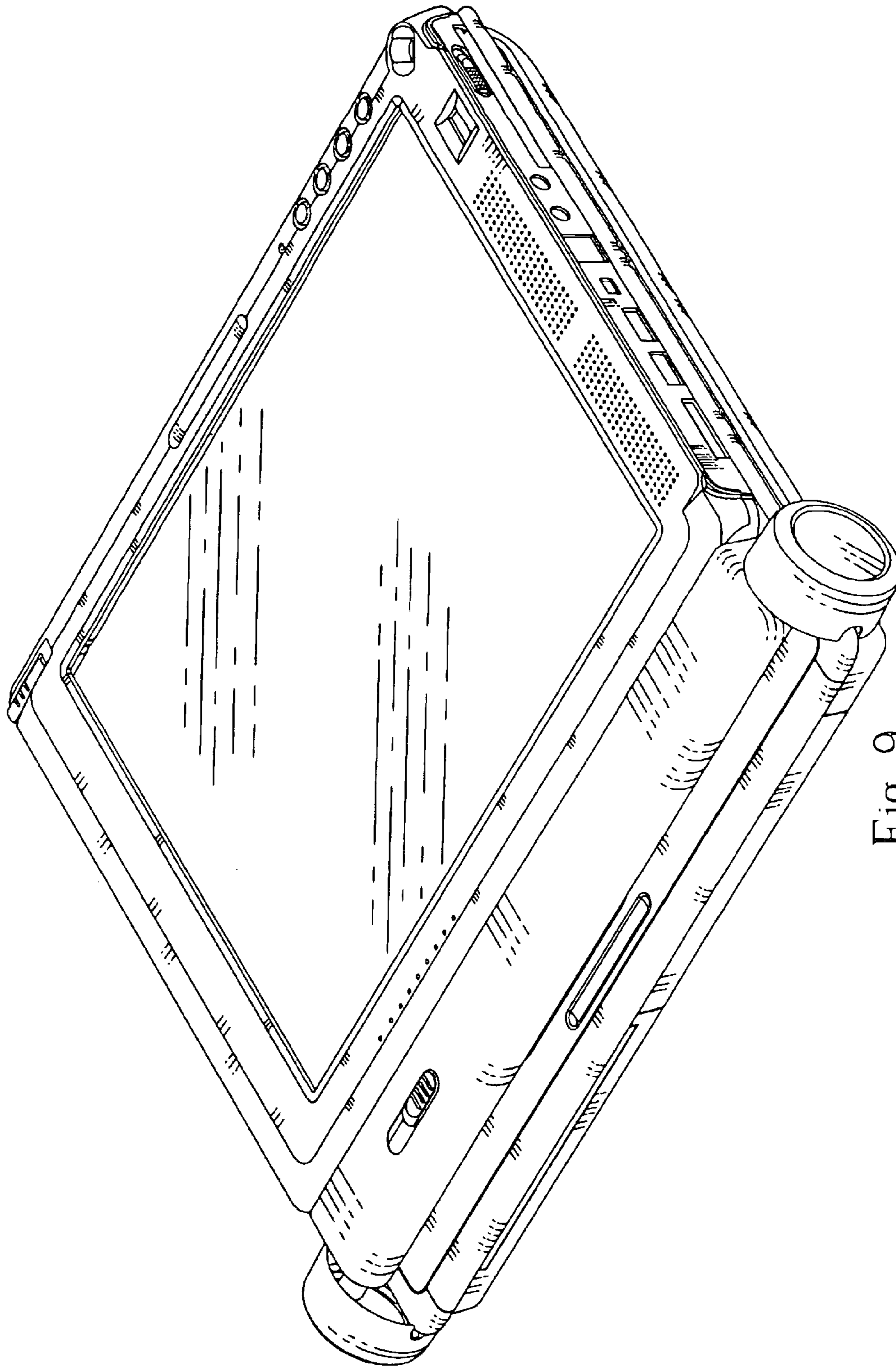


Fig. 9