

US00D504127S

(12) **United States Design Patent**
Chauhan

(10) **Patent No.: US D504,127 S**
(45) **Date of Patent: ** Apr. 19, 2005**

(54) **PORTION OF A HANDSET**

(75) **Inventor: Tej Chauhan, Edgware (GB)**

(73) **Assignee: Nokia Corporation, Espoo (FI)**

(**) **Term: 14 Years**

(21) **Appl. No.: 29/186,390**

(22) **Filed: Jul. 16, 2003**

(30) **Foreign Application Priority Data**

Jul. 8, 2003 (FI) M20030185

(51) **LOC (7) Cl. 14-03**

(52) **U.S. Cl. D14/247**

(58) **Field of Search** D14/137, 138,
D14/218, 147-148, 191, 156, 197, 496,
247-249, 429, 453, 455-456, 144, 399,
426, 387, 192, 341-347, 244, 246, 338-340;
379/433.01-433.13, 419, 434, 428.01-428.04,
420.01-420.04, 440, 368-370; D10/65,
78, 37, 126; 455/550.1-90.3; D21/517,
329, 331, 333; D13/168; D18/2, 7; 345/168,
169

(56) **References Cited**

U.S. PATENT DOCUMENTS

- D371,126 S * 6/1996 Bro D14/138
- D375,957 S * 11/1996 Nagai D14/197
- D377,018 S * 12/1996 Suzuki et al. D14/191
- D384,070 S * 9/1997 Davis et al. D14/191
- D384,071 S * 9/1997 Guthan et al. D14/191
- D390,211 S * 2/1998 Yates et al. D14/341
- D392,260 S * 3/1998 Brunner D14/388
- D394,856 S * 6/1998 Chiu D21/329
- D397,046 S * 8/1998 Oshizawa D10/65
- 5,825,675 A * 10/1998 Want et al. 708/142
- D400,880 S * 11/1998 Hin et al. D14/191
- D405,082 S * 2/1999 Shibata D14/156

- D419,607 S * 1/2000 Hornsby et al. D21/329
- D426,833 S * 6/2000 Vanelli D14/387
- D431,603 S * 10/2000 Nagata et al. D21/329
- 6,179,496 B1 * 1/2001 Chou 400/472
- D442,156 S * 5/2001 Lee D14/138
- D446,822 S * 8/2001 Kenji D21/329
- D450,314 S * 11/2001 Mattis D14/218
- D457,823 S * 5/2002 Nolan et al. D10/65
- D470,488 S * 2/2003 Lin D14/374
- D473,226 S * 4/2003 Griffin D14/346
- D480,722 S * 10/2003 Griffin D14/346
- D482,352 S * 11/2003 Sinclair D14/247
- D488,151 S * 4/2004 Pitt et al. D14/247
- D493,166 S * 7/2004 Eguchi et al. D14/247
- D494,585 S * 8/2004 Aupperle D14/346
- D494,950 S * 8/2004 Keunecke D14/138
- D496,916 S * 10/2004 Wang et al. D14/138
- D496,917 S * 10/2004 Brandis D14/138
- D496,920 S * 10/2004 Peng et al. D14/138

FOREIGN PATENT DOCUMENTS

- WO DM/063340 * 4/2003
- WO DM/064643 * 7/2003

* cited by examiner

Primary Examiner—Jeffrey Asch
(74) *Attorney, Agent, or Firm*—Banner & Witcoff, Ltd

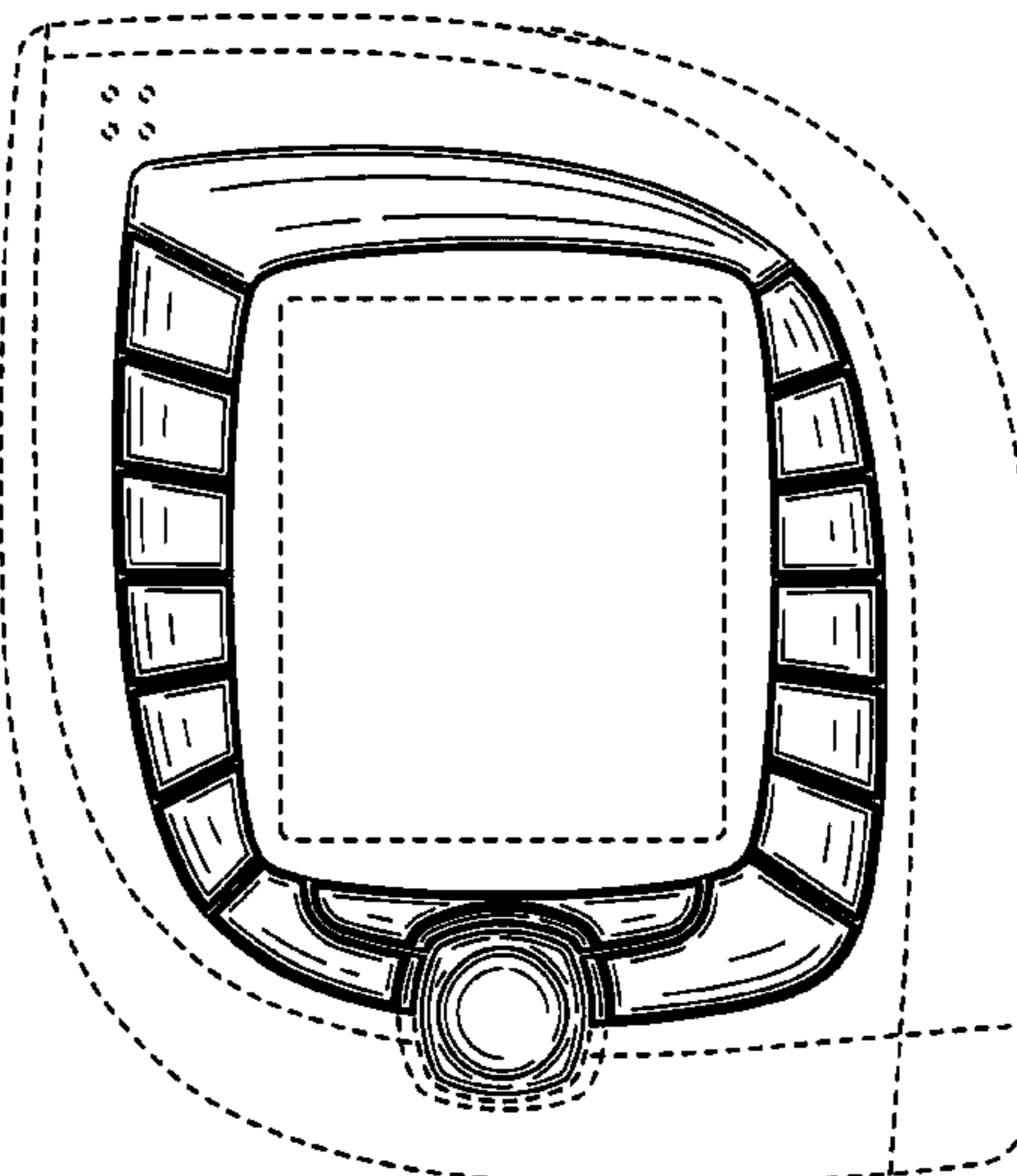
(57) **CLAIM**

The ornamental design for portion of a handset, as shown and described.

DESCRIPTION

FIG. 1 is a front view of a portion of a handset showing my new design; and, FIG. 2 is a front perspective view thereof. The uneven broken line showing of the remainder of the handset in FIGS. 1-2 is for illustrative purposes only and forms no part of the claimed design.

1 Claim, 1 Drawing Sheet



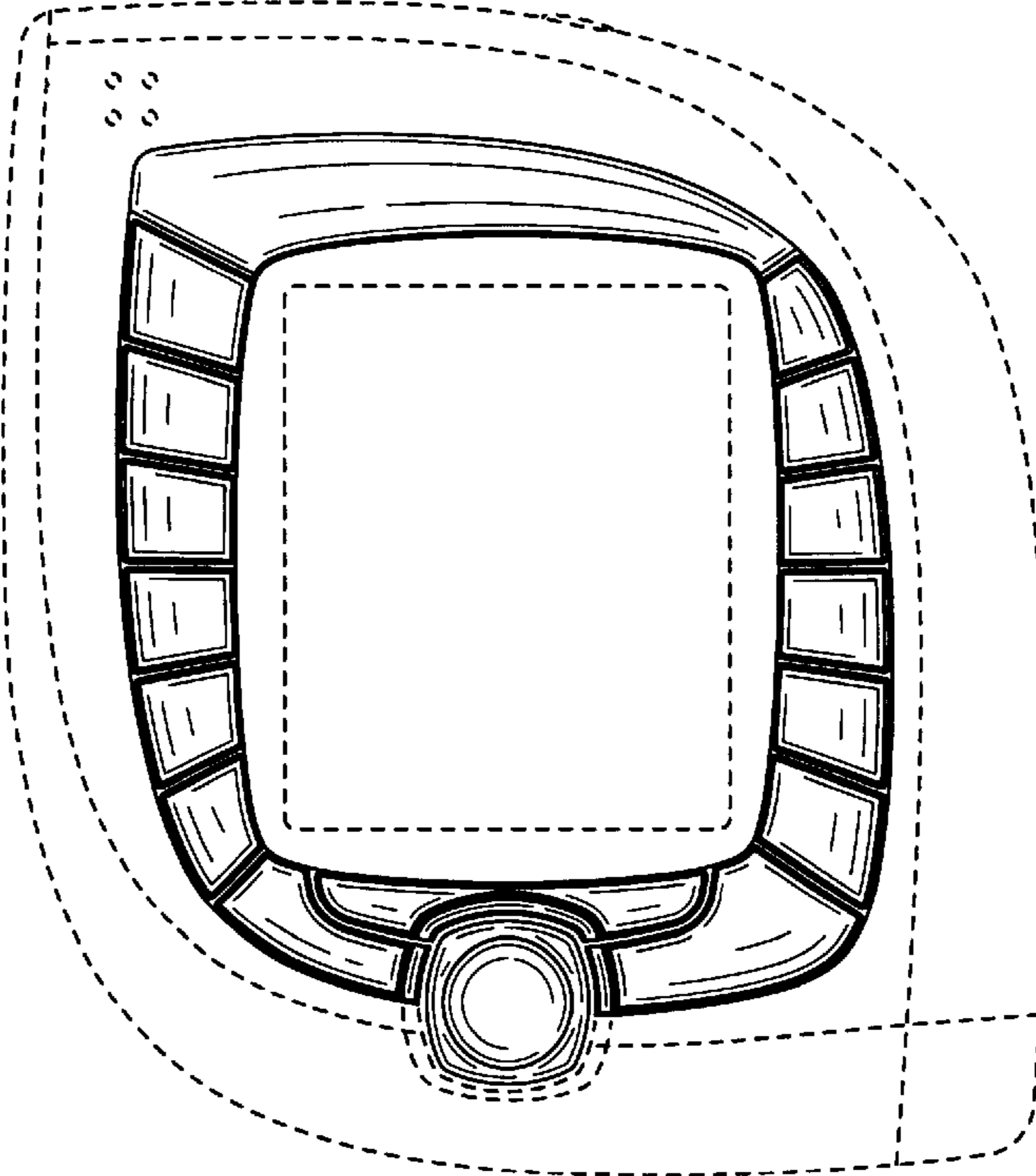


FIG. 1

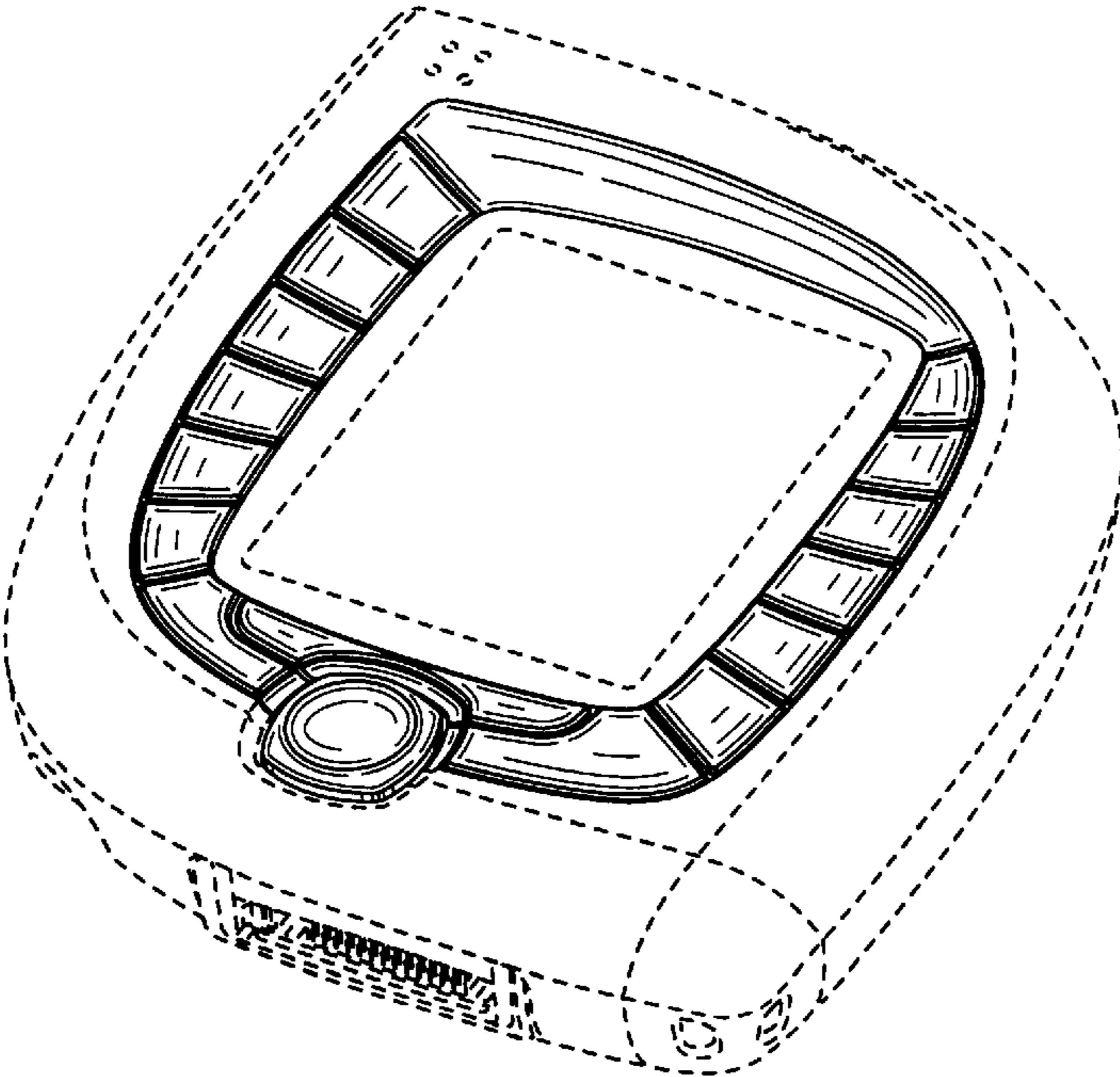


FIG. 2