

US00D504124S

(12) **United States Design Patent**
Zeitman

(10) **Patent No.:** **US D504,124 S**

(45) **Date of Patent:** **** Apr. 19, 2005**

(54) **COMBINED RADIO, CASSETTE AND CD
PLAYER**

D447,129 S * 8/2001 Cuvelier D14/168
D463,782 S * 10/2002 Chan D14/196

(75) Inventor: **Josh Zeitman**, Brooklyn, NY (US)

* cited by examiner

(73) Assignee: **Lennox Electronics Corp.**, Brooklyn,
NY (US)

Primary Examiner—Nanda Bondade

(74) *Attorney, Agent, or Firm*—Burns, Doane, Swecker &
Mathis, L.L.P.

(**) Term: **14 Years**

(57) **CLAIM**

(21) Appl. No.: **29/177,875**

The ornamental design of a “combined radio, cassette and
CD player”, as shown and described.

(22) Filed: **Mar. 19, 2003**

DESCRIPTION

(51) **LOC (7) Cl.** **14-01**

(52) **U.S. Cl.** **D14/168**

(58) **Field of Search** D14/135–136,
D14/160–168, 188, 193–198, 170–171,
156; 455/100, 344, 347–351; 369/75.1,
75.2, 77.1, 77.2

FIG. 1 is a front view of a “combined radio, cassette and CD
player” showing my design;

FIG. 2 is a rear view thereof.

FIG. 3 is a left side view thereof;

FIG. 4 is a right side view thereof;

FIG. 5 is a top plan view thereof; and,

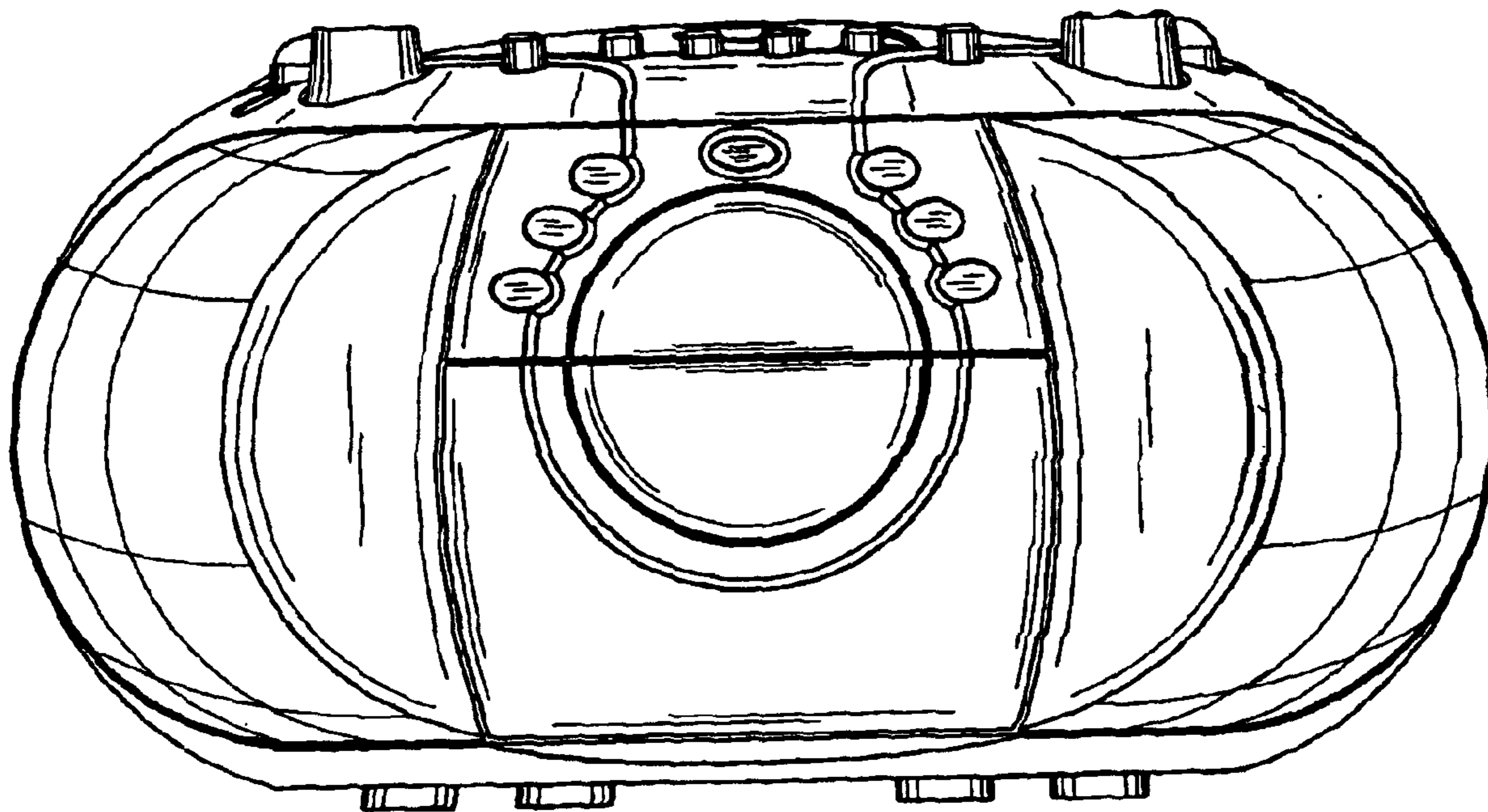
FIG. 6 is a bottom view thereof.

(56) **References Cited**

U.S. PATENT DOCUMENTS

D349,498 S * 8/1994 Fukutome D14/168

1 Claim, 3 Drawing Sheets



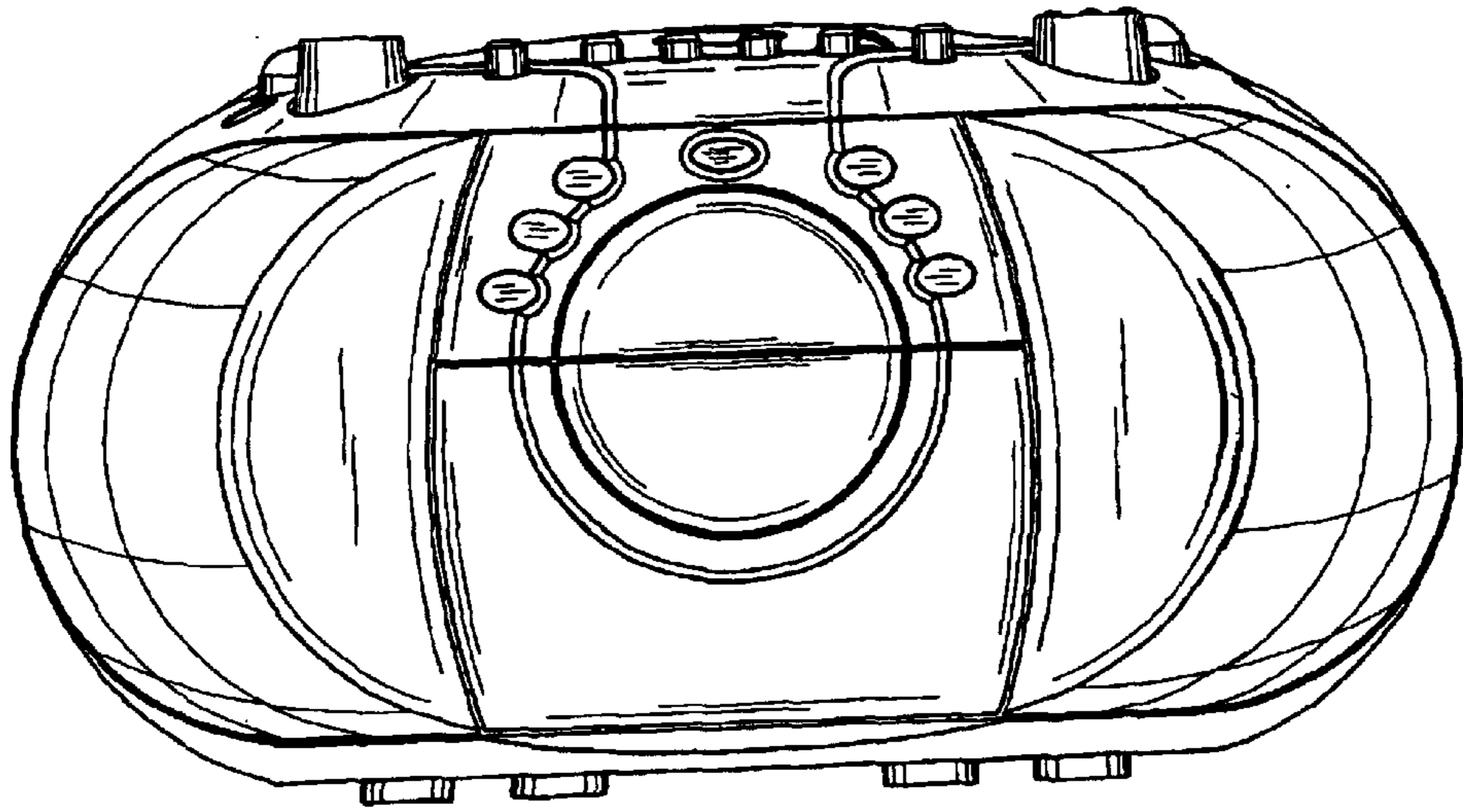


Fig. 1

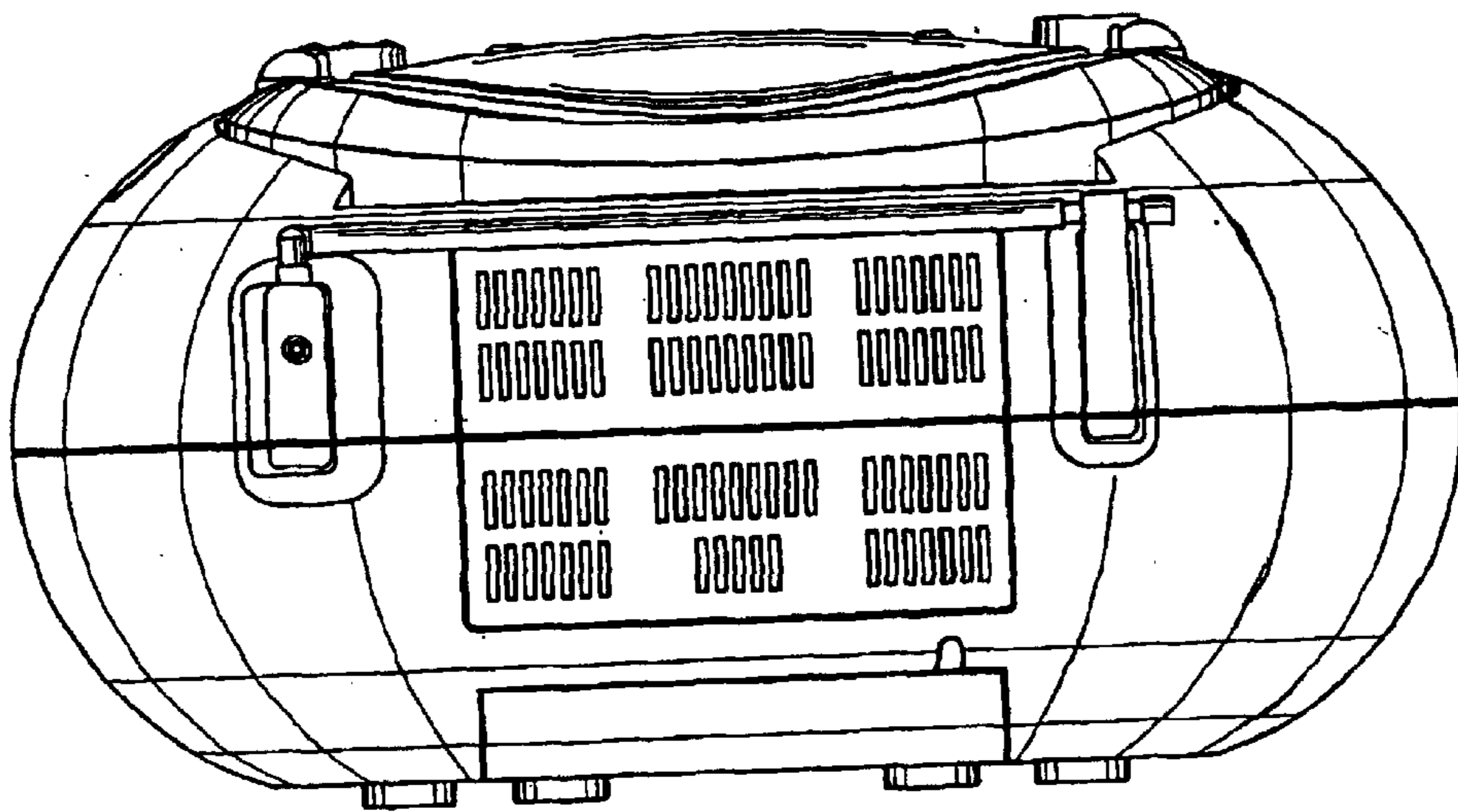


Fig. 2

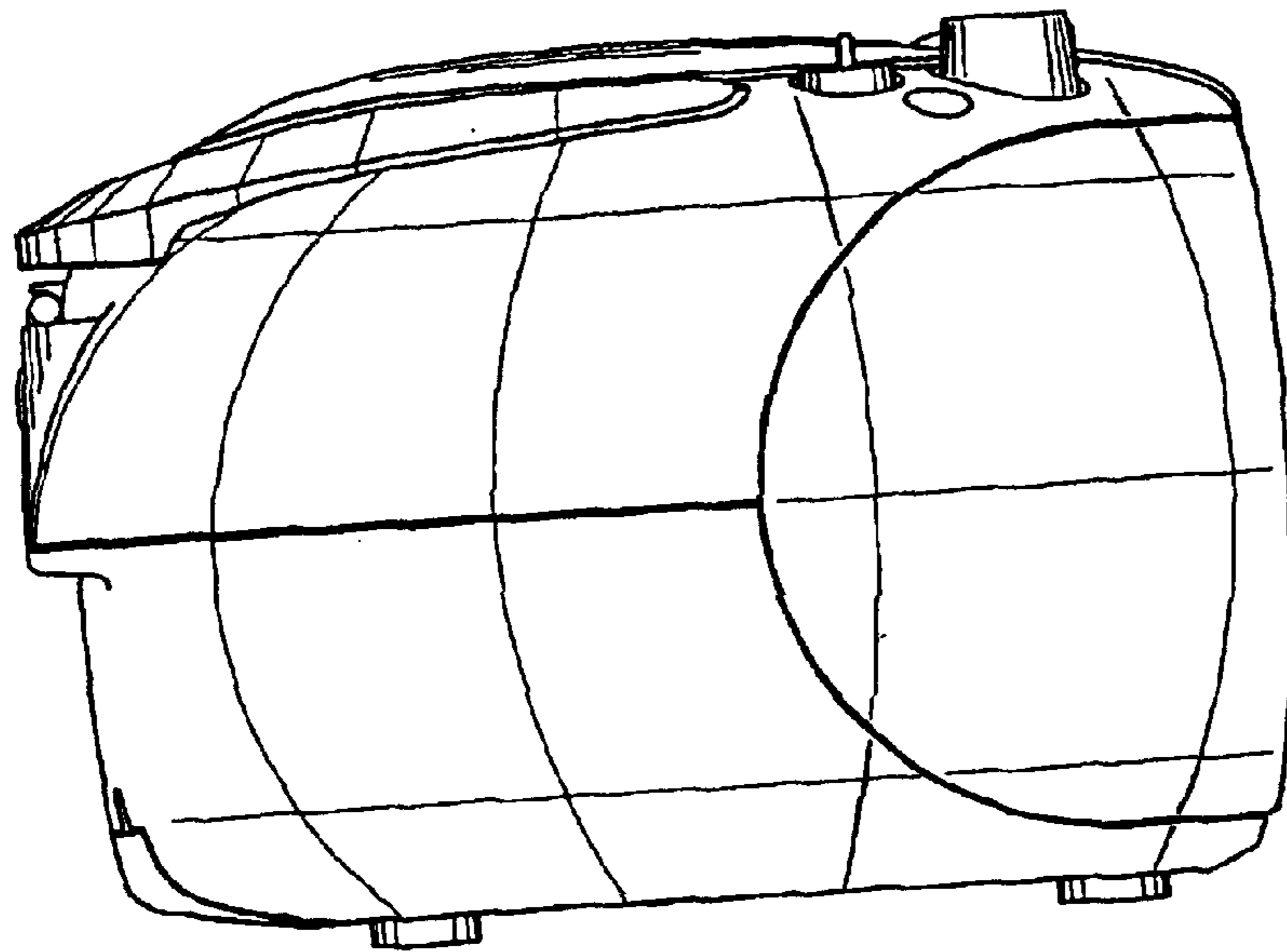


Fig. 3

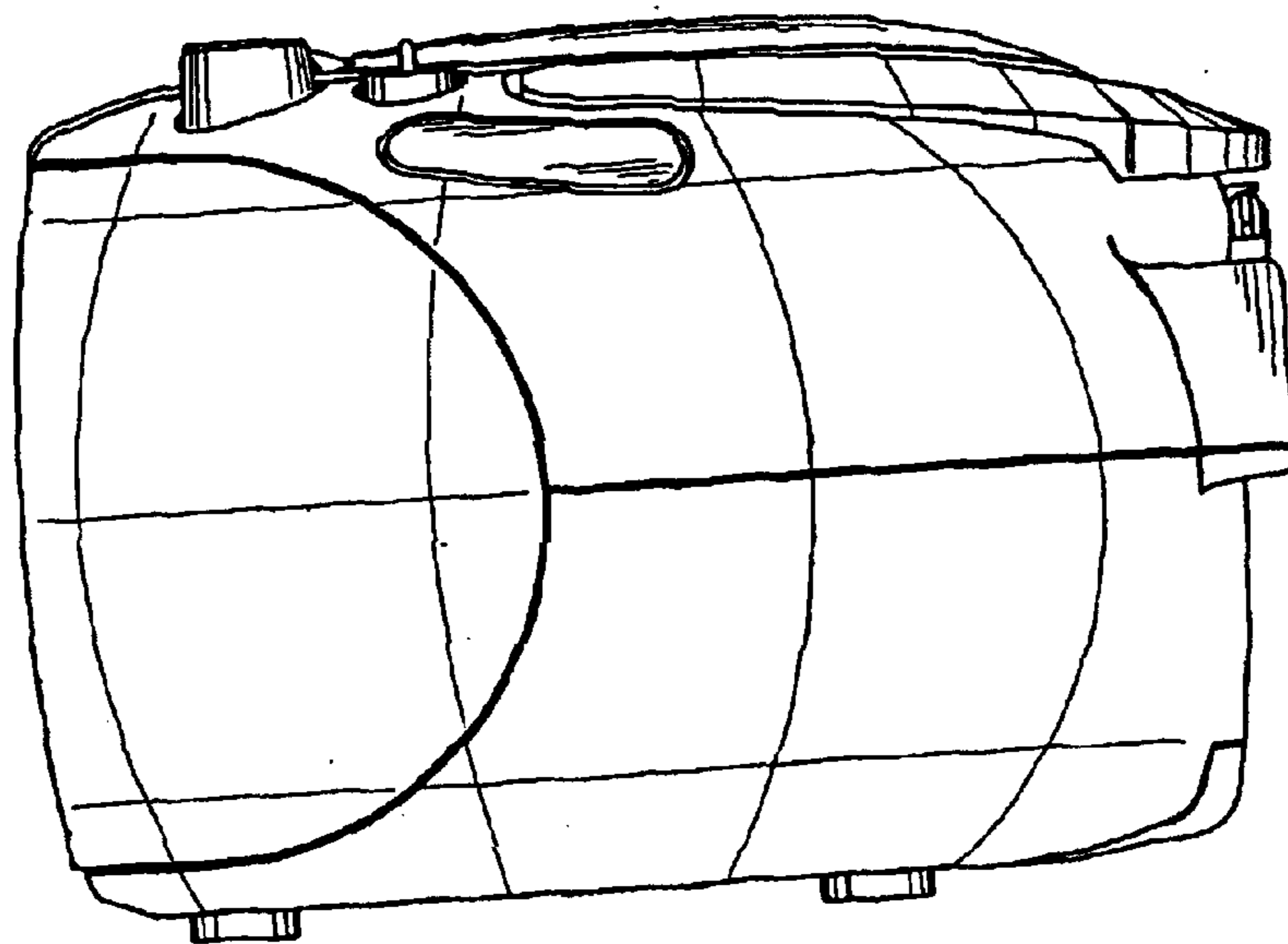


Fig. 4

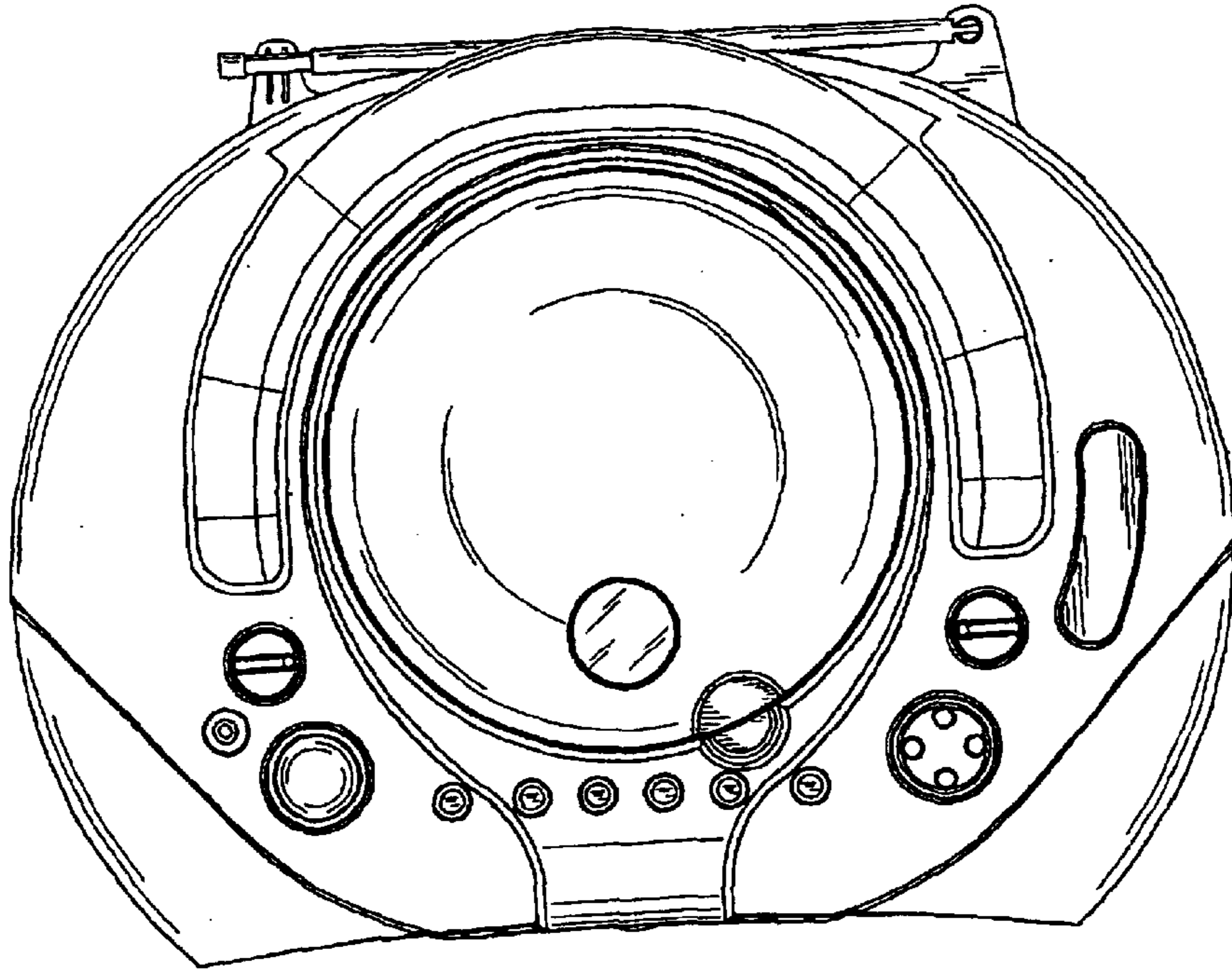


Fig. 5

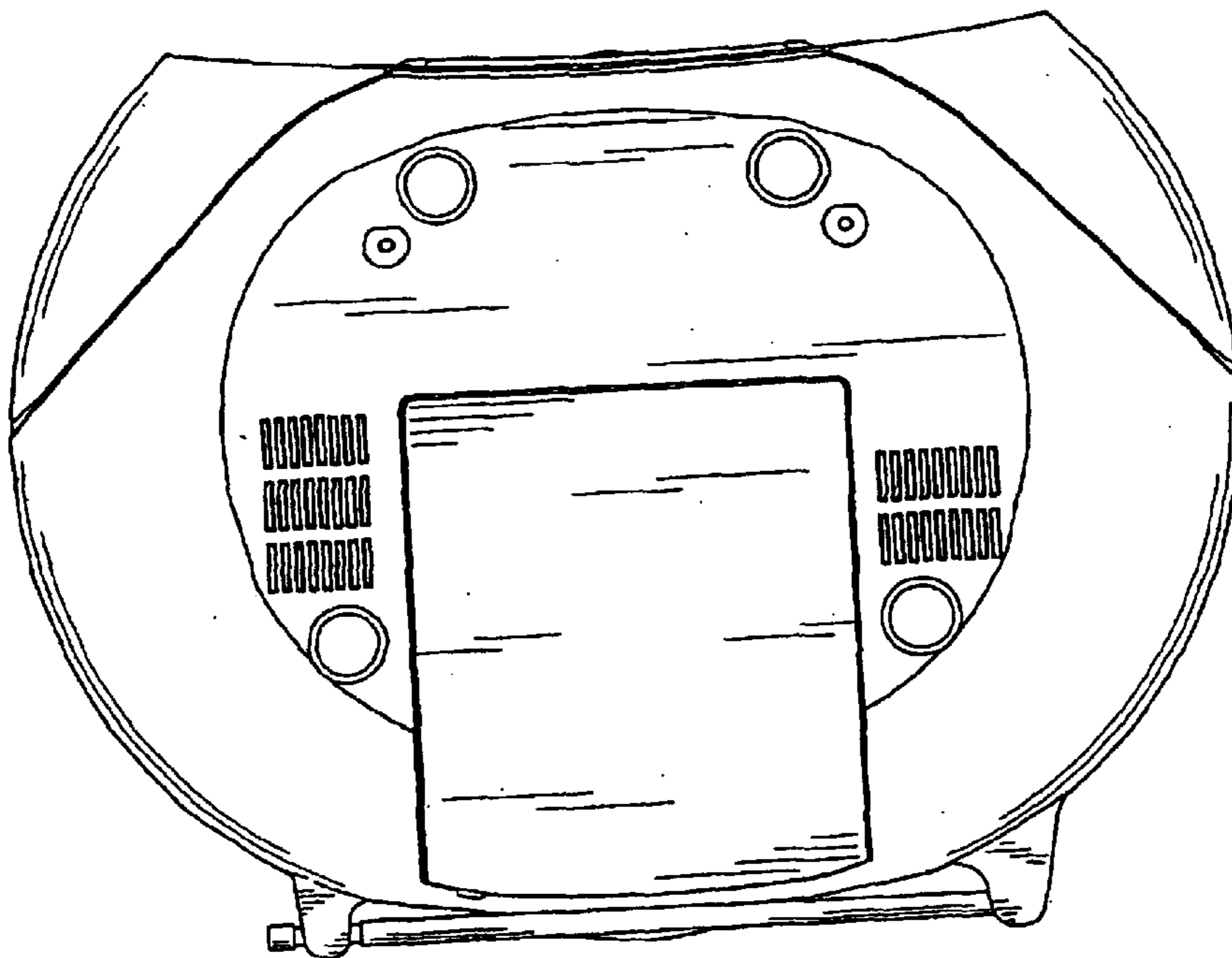


Fig. 6