

US00D504123S

(12) **United States Design Patent**
Katsuraku

(10) **Patent No.:** **US D504,123 S**
(45) **Date of Patent:** **** Apr. 19, 2005**

(54) **DISC PLAYER**

(75) **Inventor:** **Junko Katsuraku, Tokyo (JP)**

(73) **Assignee:** **Sony Corporation, Tokyo (JP)**

(**) **Term:** **14 Years**

(21) **Appl. No.:** **29/201,374**

(22) **Filed:** **Mar. 16, 2004**

(51) **LOC (7) Cl.** **14-01**

(52) **U.S. Cl.** **D14/156**

(58) **Field of Search** D14/135-136,
D14/156-157, 160-165, 167-168, 192-198,
217; 455/347-351; 369/75.1, 75.2, 77.1,
77.2

(56) **References Cited**

U.S. PATENT DOCUMENTS

D433,672 S	*	11/2000	Kobayashi	D14/156
D439,229 S		3/2001	Ishibashi		
D451,080 S		11/2001	Kataoka		
D462,942 S	*	9/2002	Murakami	D14/156
D482,013 S	*	11/2003	Lee	D14/156

OTHER PUBLICATIONS

Web page "Sony Style, DNE710KIT" 1 sheet, Sony (Jan. 2004).

Web page "Panasonic idea for life, SL-CT500" <http://prodb.matsushita.co.jp/product/info.do?pg=04&hb=SL-CT500>, 1 sheet, Matsushita Electric Industries Ltd. (Jan. 2004).

* cited by examiner

Primary Examiner—Nanda Bondade
(74) *Attorney, Agent, or Firm*—Rader, Fishman & Grauer PLLC

(57) **CLAIM**

The ornamental design for a disc player, as shown.

DESCRIPTION

FIG. 1 is a perspective view of a disc player showing my new design;

FIG. 2 is a front elevational view thereof;

FIG. 3 is a rear elevational view thereof;

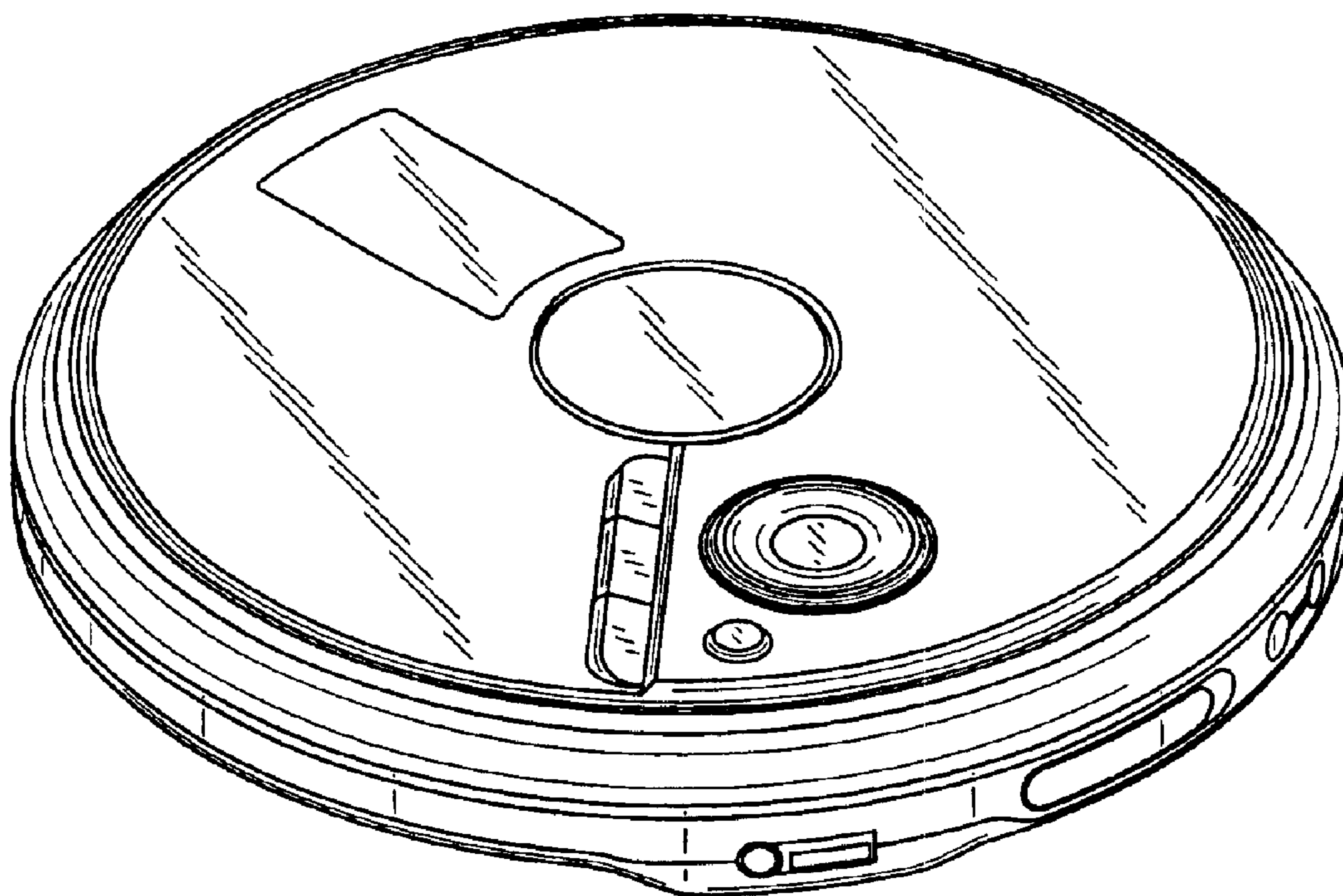
FIG. 4 is a left side elevational view thereof;

FIG. 5 is a right side elevational view thereof;

FIG. 6 is a top plan view thereof; and,

FIG. 7 is a bottom plan view thereof.

1 Claim, 4 Drawing Sheets



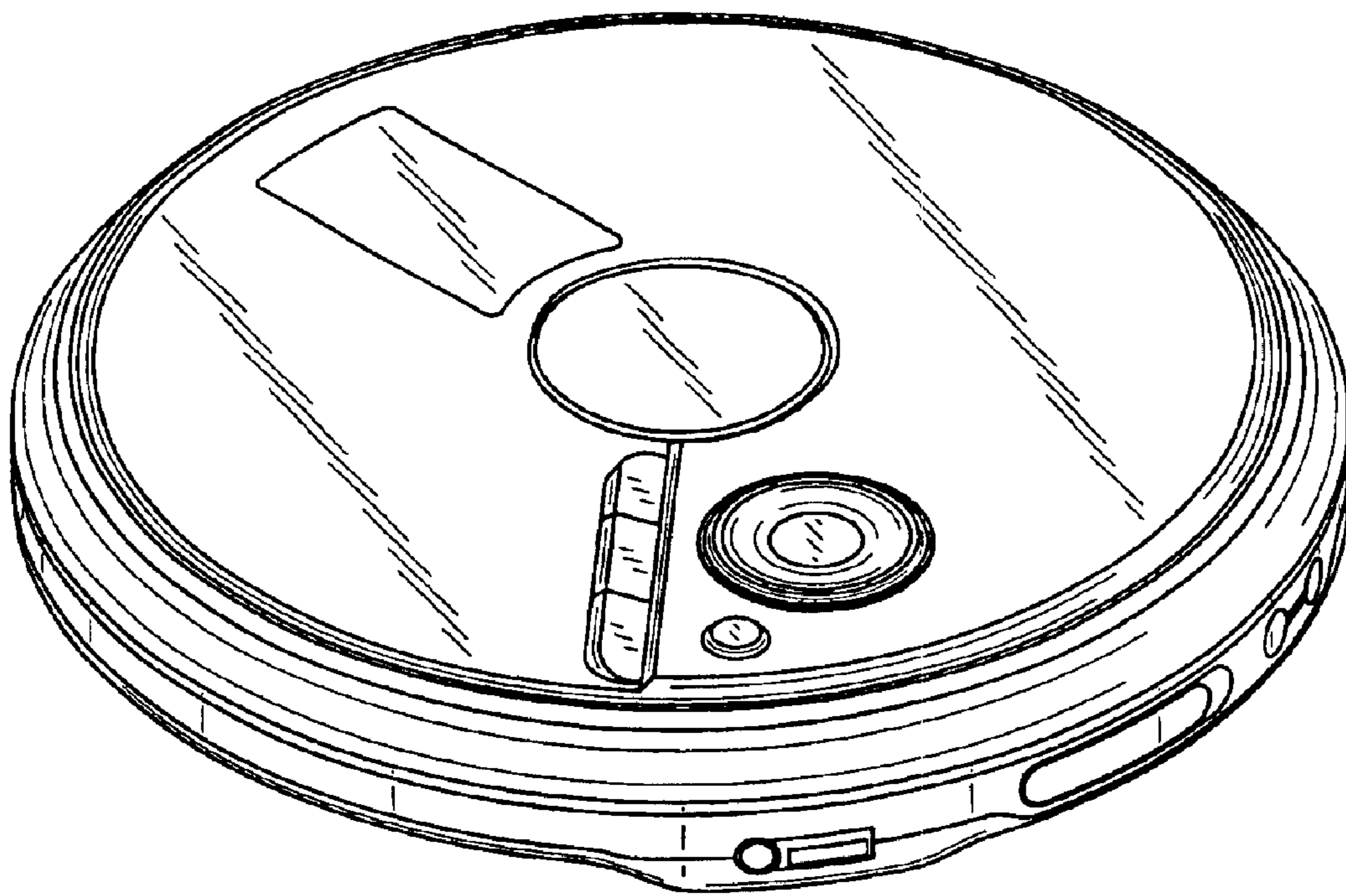


FIG. 1

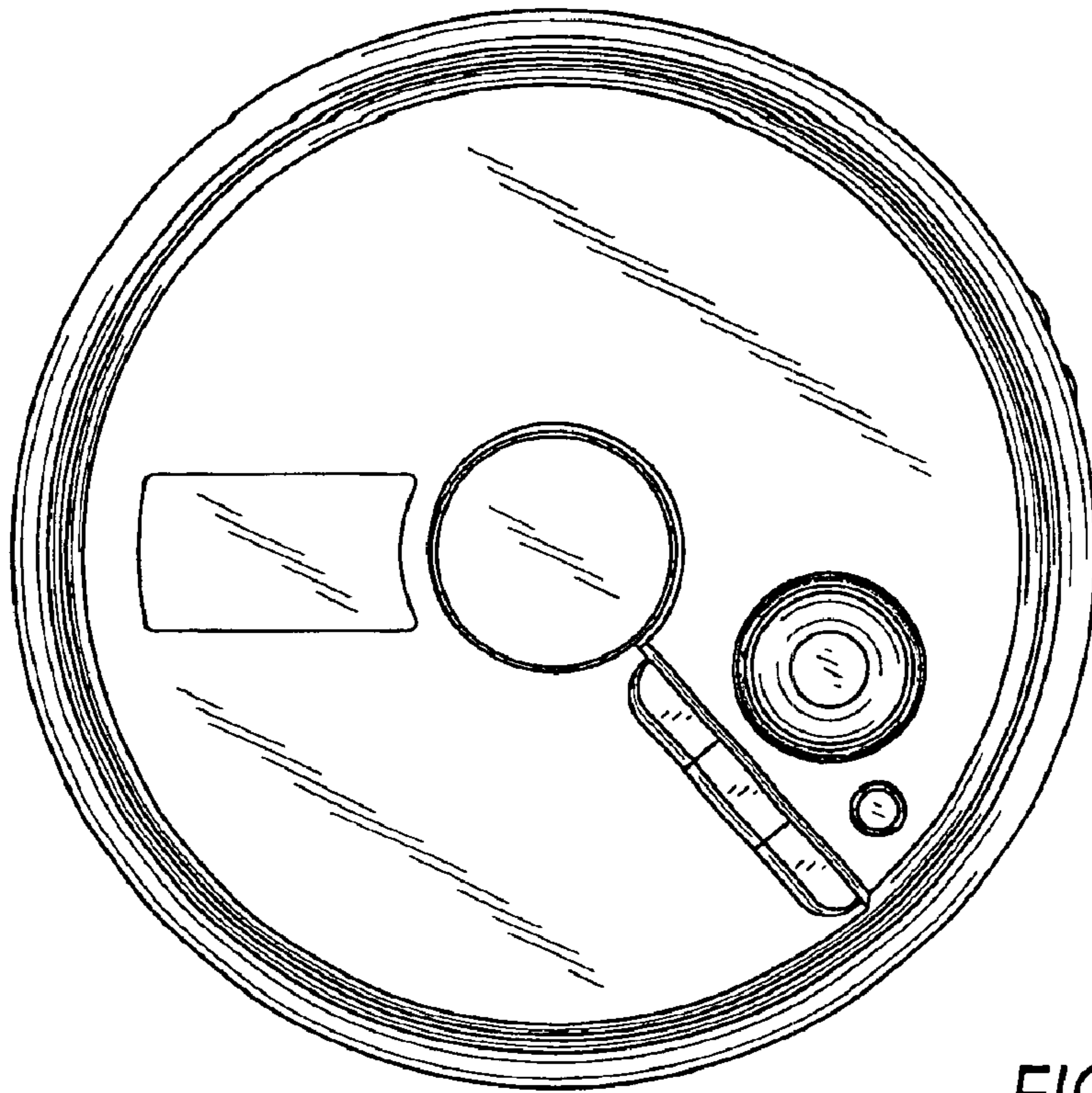


FIG. 2

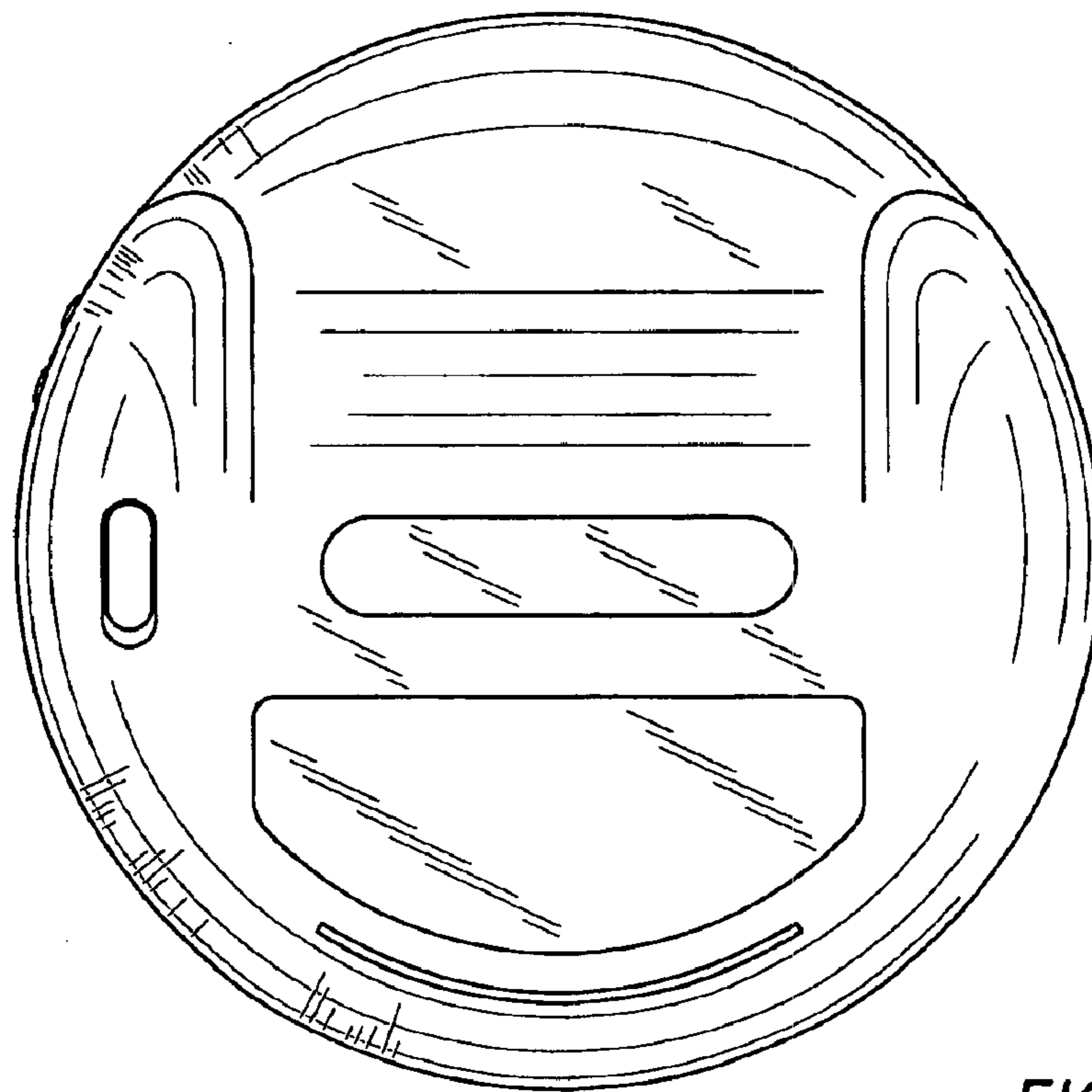


FIG. 3

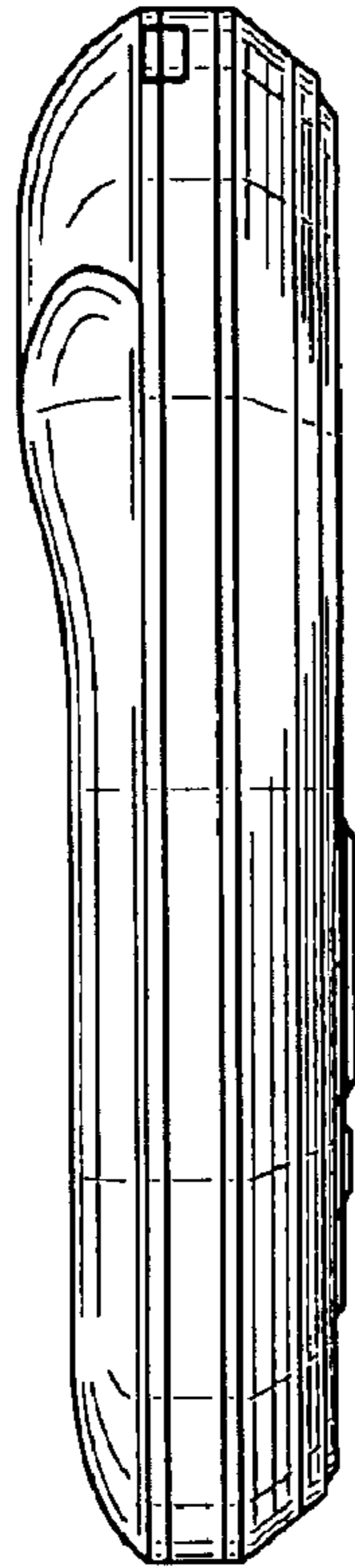


FIG. 4

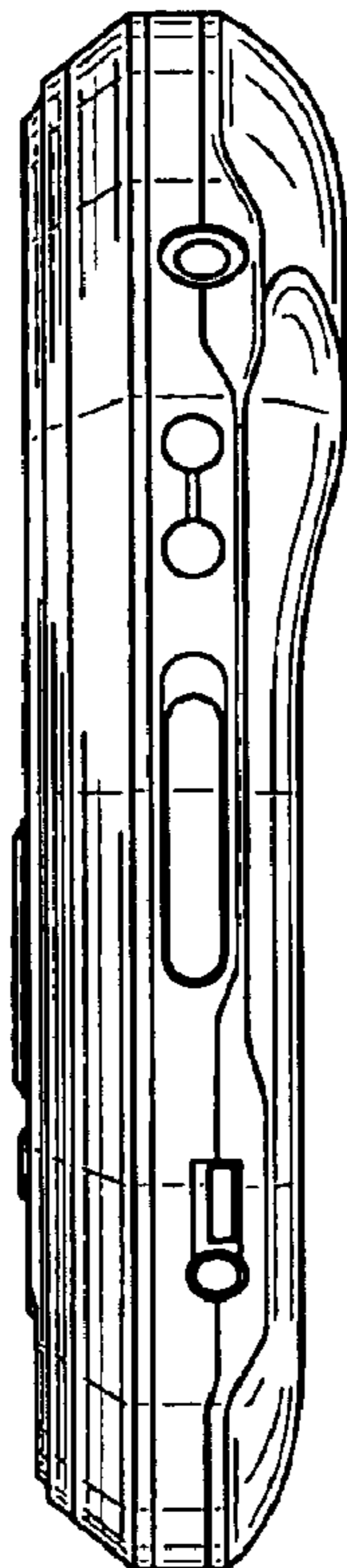


FIG. 5

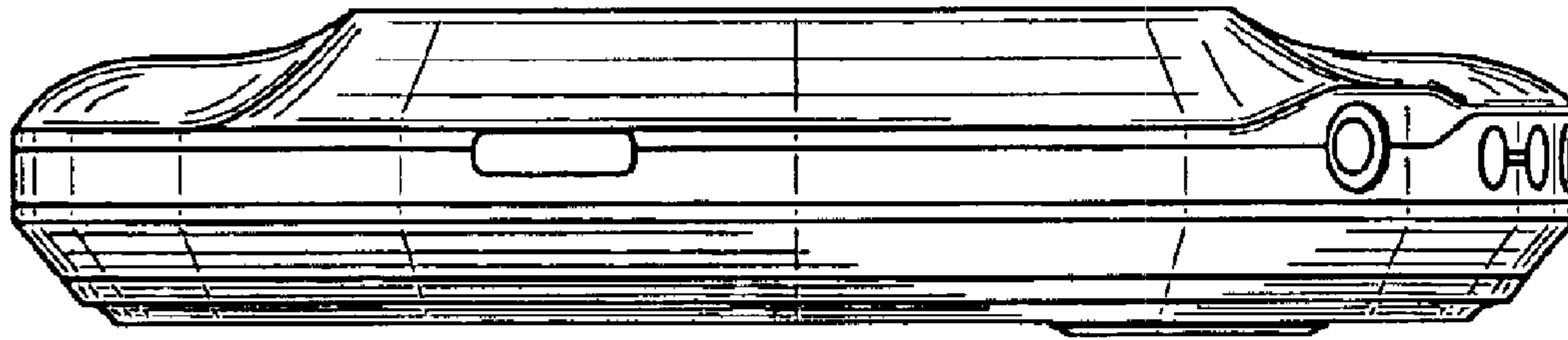


FIG. 6

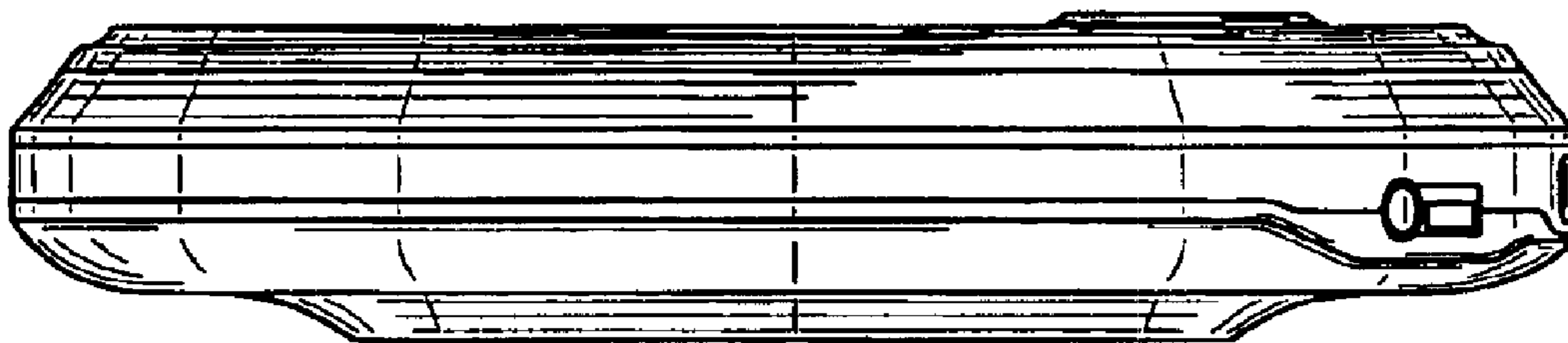


FIG. 7