

US00D504122S

(12) **United States Design Patent**
Zeitman

(10) **Patent No.:** **US D504,122 S**

(45) **Date of Patent:** **** Apr. 19, 2005**

(54) **CD PLAYER**

D431,544 S * 10/2000 Kobayashi D14/156
D467,905 S * 12/2002 Takagi D14/217

(75) **Inventor:** **Josh Zeitman**, Brooklyn, NY (US)

* cited by examiner

(73) **Assignee:** **Lenoxx Electronics Corp.**, Brooklyn, NY (US)

Primary Examiner—Nanda Bondade
(74) *Attorney, Agent, or Firm*—Burns, Doane, Swecker & Mathis, L.L.P.

(**) **Term:** **14 Years**

(21) **Appl. No.:** **29/177,874**

(57) **CLAIM**

(22) **Filed:** **Mar. 19, 2003**

The ornamental design of a “CD player,” as shown and described.

(51) **LOC (7) Cl.** **14-01**

(52) **U.S. Cl.** **D14/156**

(58) **Field of Search** D14/135–136,
D14/156–157, 160–165, 167–168, 192–198,
217; 455/347–351; 369/75.1, 75.2, 77.1,
77.2

DESCRIPTION

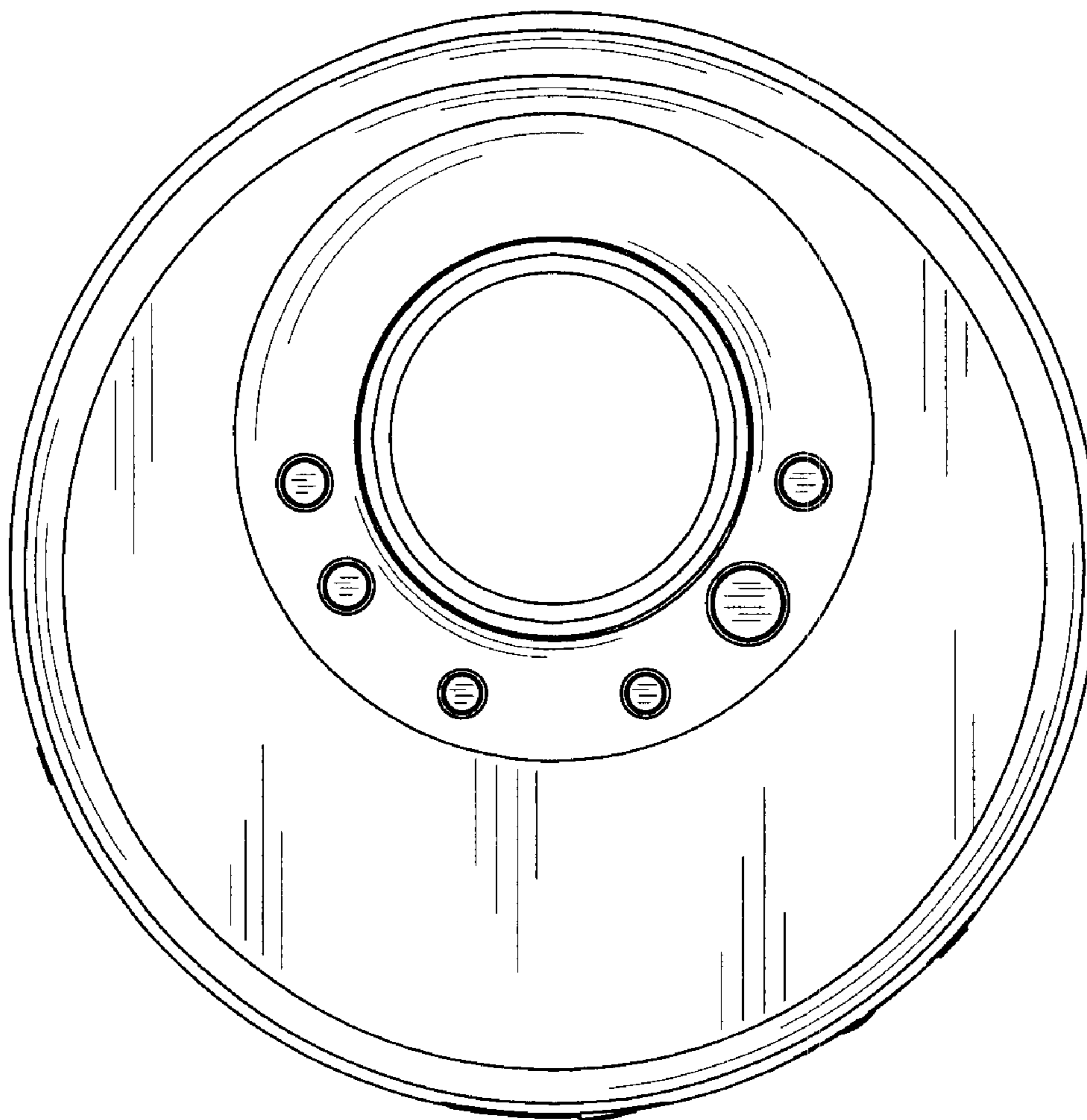
FIG. 1 is a front view of a “CD player” showing my design;
FIG. 2 is a rear view thereof,
FIG. 3 is a left side view thereof;
FIG. 4 is a right side view thereof;
FIG. 5 is a top plan view thereof; and,
FIG. 6 is a bottom view thereof.

(56) **References Cited**

U.S. PATENT DOCUMENTS

D376,800 S * 12/1996 Shudo D14/197

1 Claim, 2 Drawing Sheets



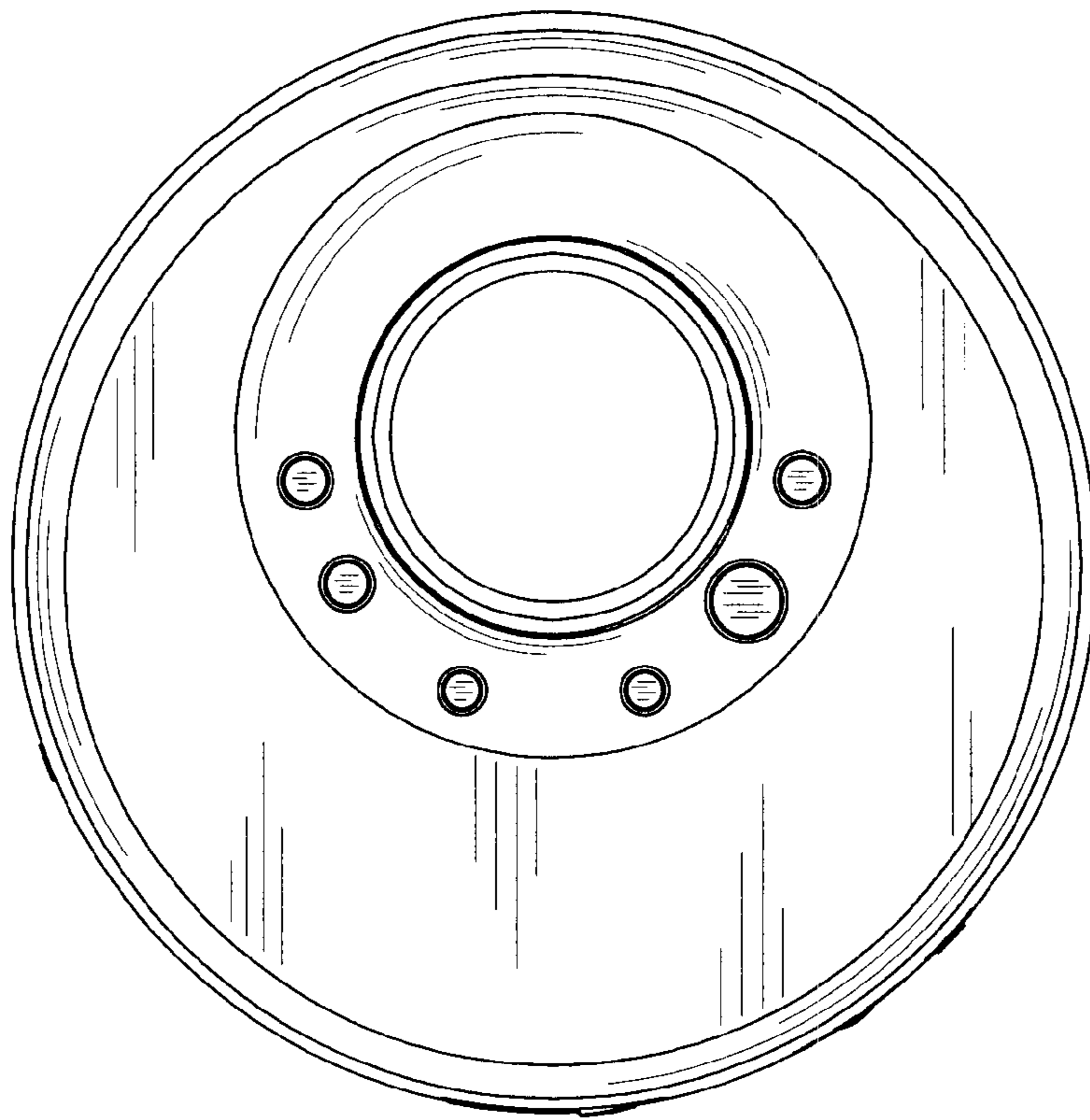


Fig. 1

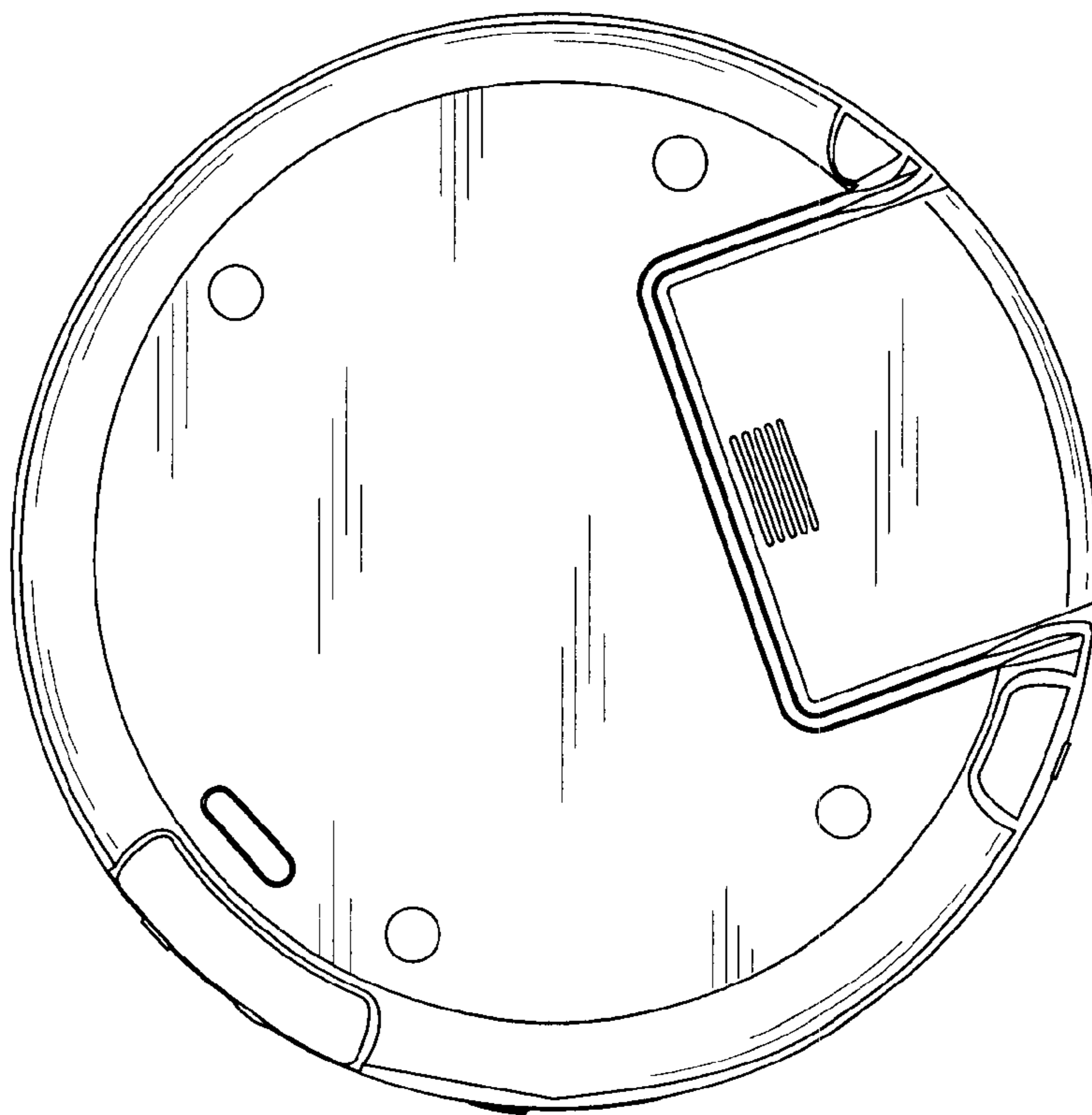


Fig. 2



Fig. 3

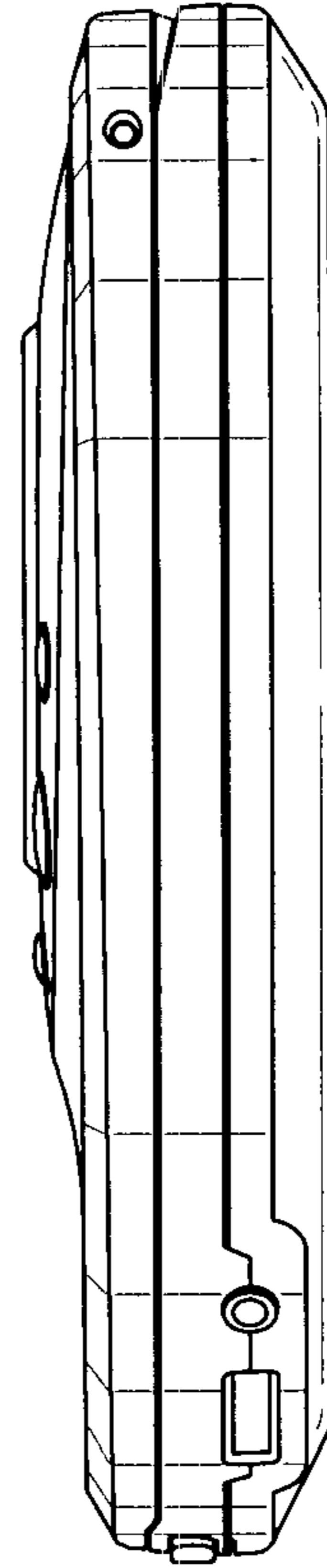


Fig. 4

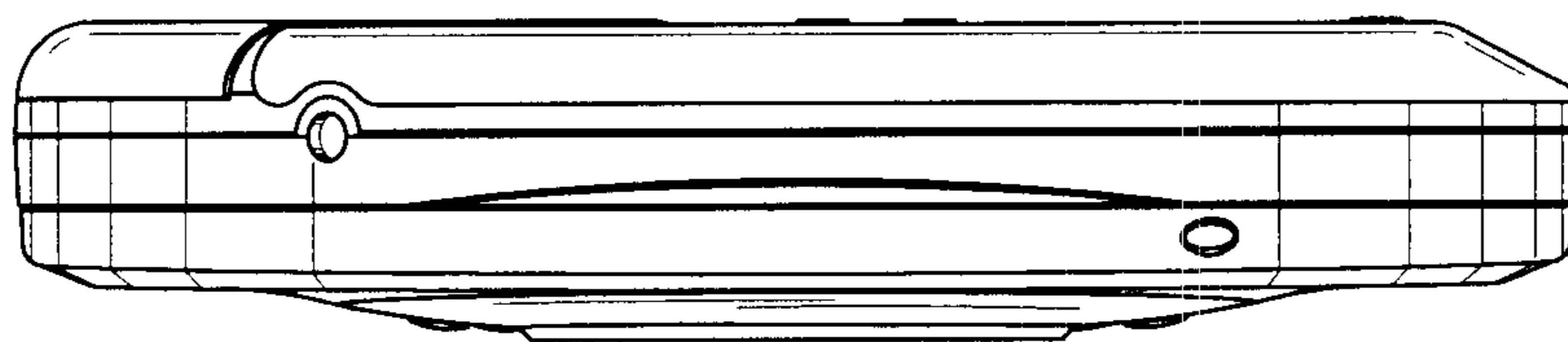


Fig. 5

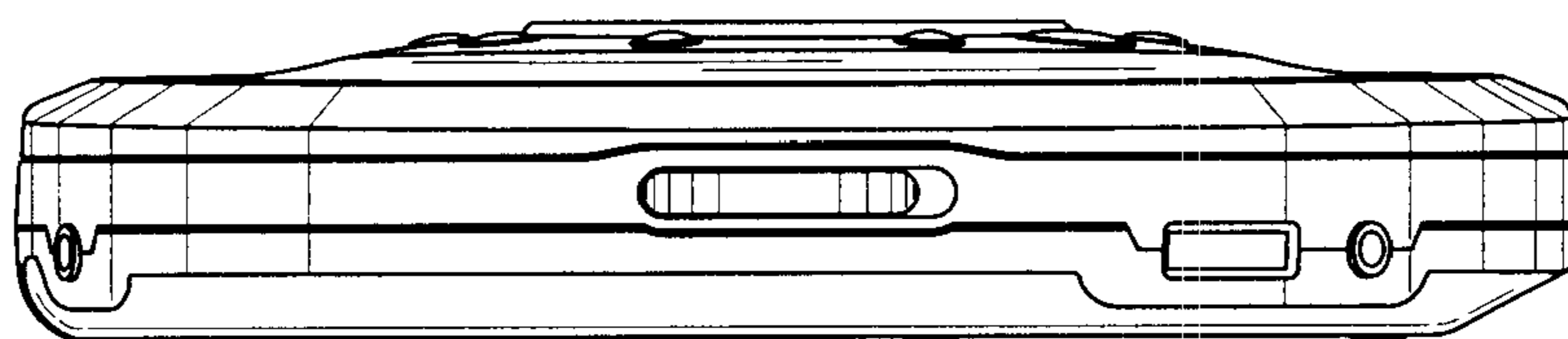


Fig. 6