

US00D504117S

(12) **United States Design Patent**
Cummings

(10) **Patent No.:** **US D504,117 S**

(45) **Date of Patent:** **** Apr. 19, 2005**

(54) **TELEVISION**

(75) **Inventor:** **Gerald Cummings**, Marlton, NJ (US)

(73) **Assignee:** **Polyconcept USA, Inc.**, Stamford, CT (US)

(**) **Term:** **14 Years**

(21) **Appl. No.:** **29/177,811**

(22) **Filed:** **Mar. 17, 2003**

(51) **LOC (7) Cl.** **14-03**

(52) **U.S. Cl.** **D14/126**

(58) **Field of Search** D14/125-134,
D14/239, 189, 371, 374-382; 312/7.1-7.2;
348/836, 838, 180, 184, 325, 739; 341/12;
345/901-905; 248/917-924

(56) **References Cited**

U.S. PATENT DOCUMENTS

D183,779 S * 10/1958 Whipple 312/7.2

D183,780 S * 10/1958 Whipple 312/7.2

D186,629 S * 11/1959 Whipple D14/126

D224,346 S * 7/1972 Nakamura et al. D14/126

D461,786 S * 8/2002 Maruyama D14/126

* cited by examiner

Primary Examiner—Raphael Barkai

(74) *Attorney, Agent, or Firm*—Notaro & Michalos PC

(57) **CLAIM**

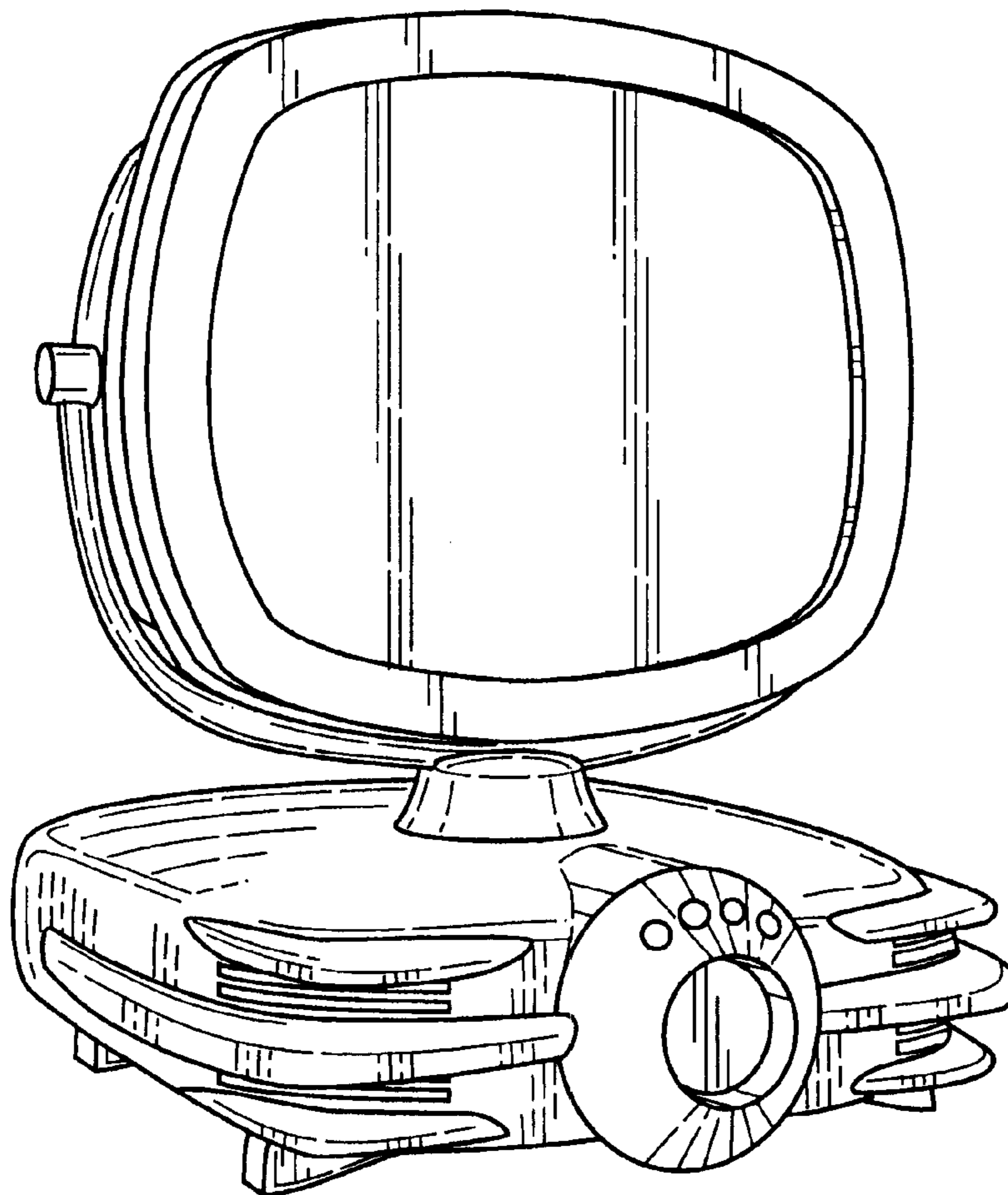
The ornamental design for a television, as shown and described herein.

DESCRIPTION

FIG. 1 is a front, left side elevation view of my design; FIG. 2 is a front elevation view of the television of FIG. 1; FIG. 3 is a top plan view of the television of FIG. 1; and, FIG. 4 is a left side elevation view of the television of FIG. 1, the right side being a mirror image thereof.

The broken lines shown in FIGS. 1-4 are for illustrative purposes only, and form no part of the claimed design.

1 Claim, 2 Drawing Sheets



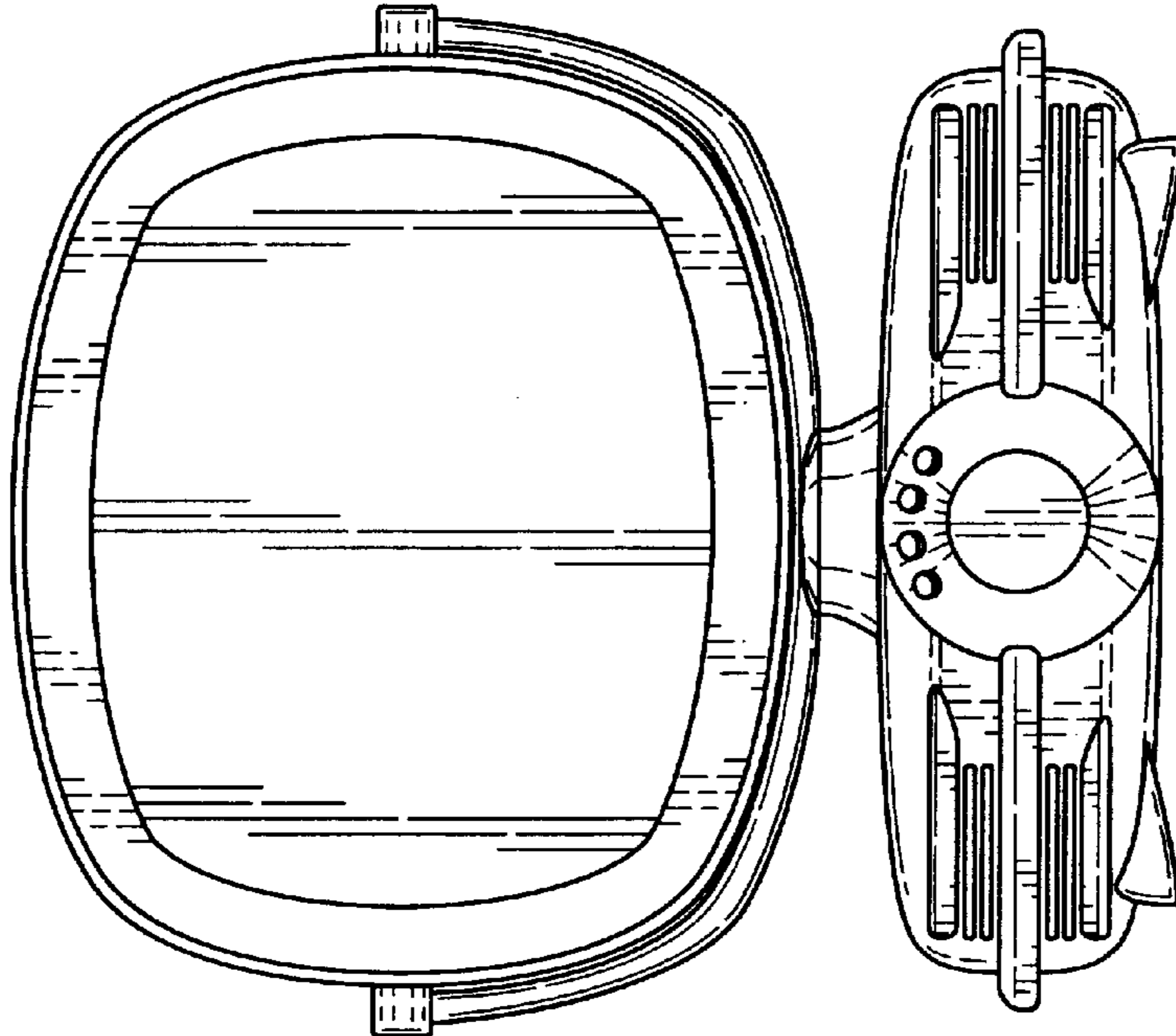


FIG. 2

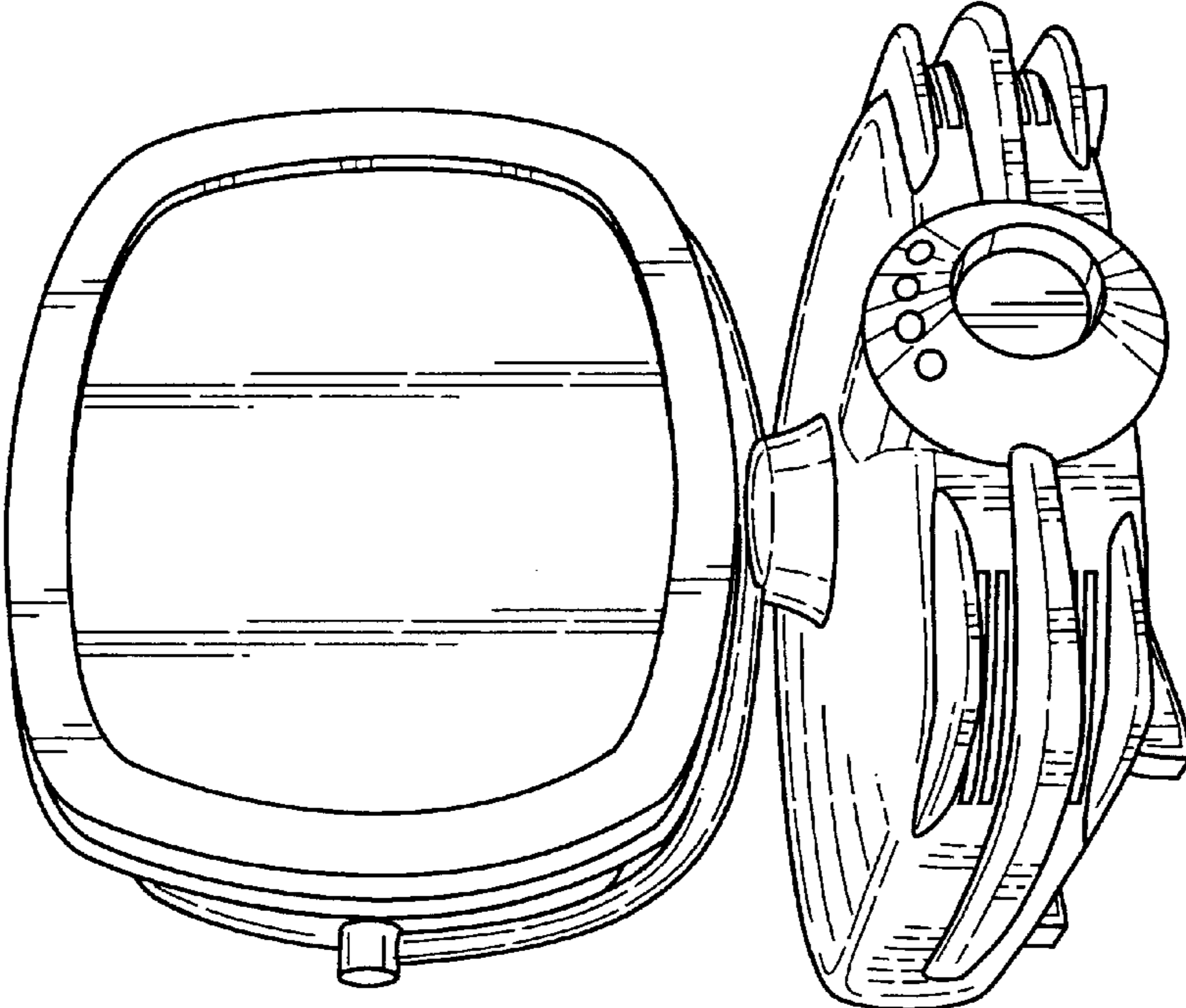


FIG. 1

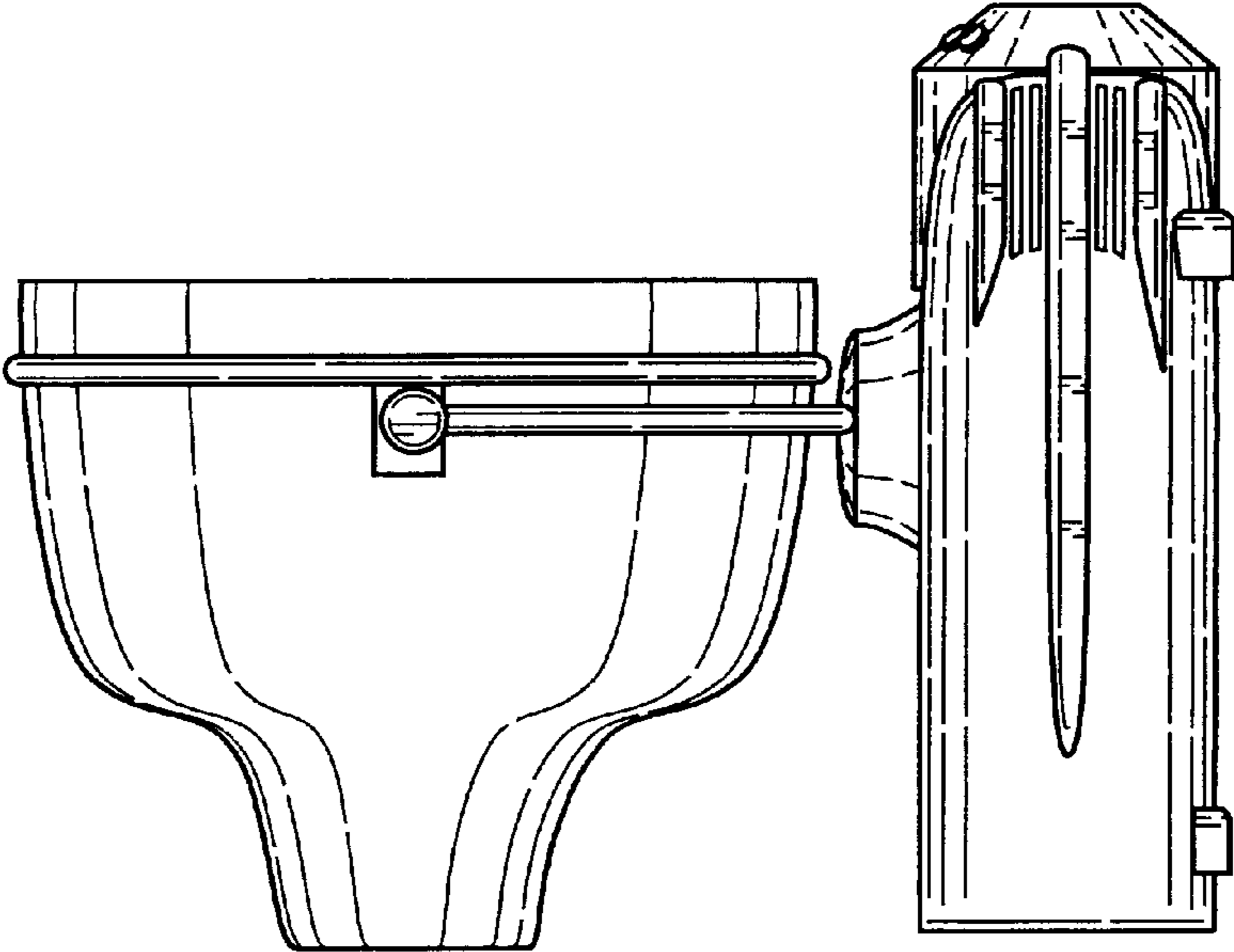


FIG. 4

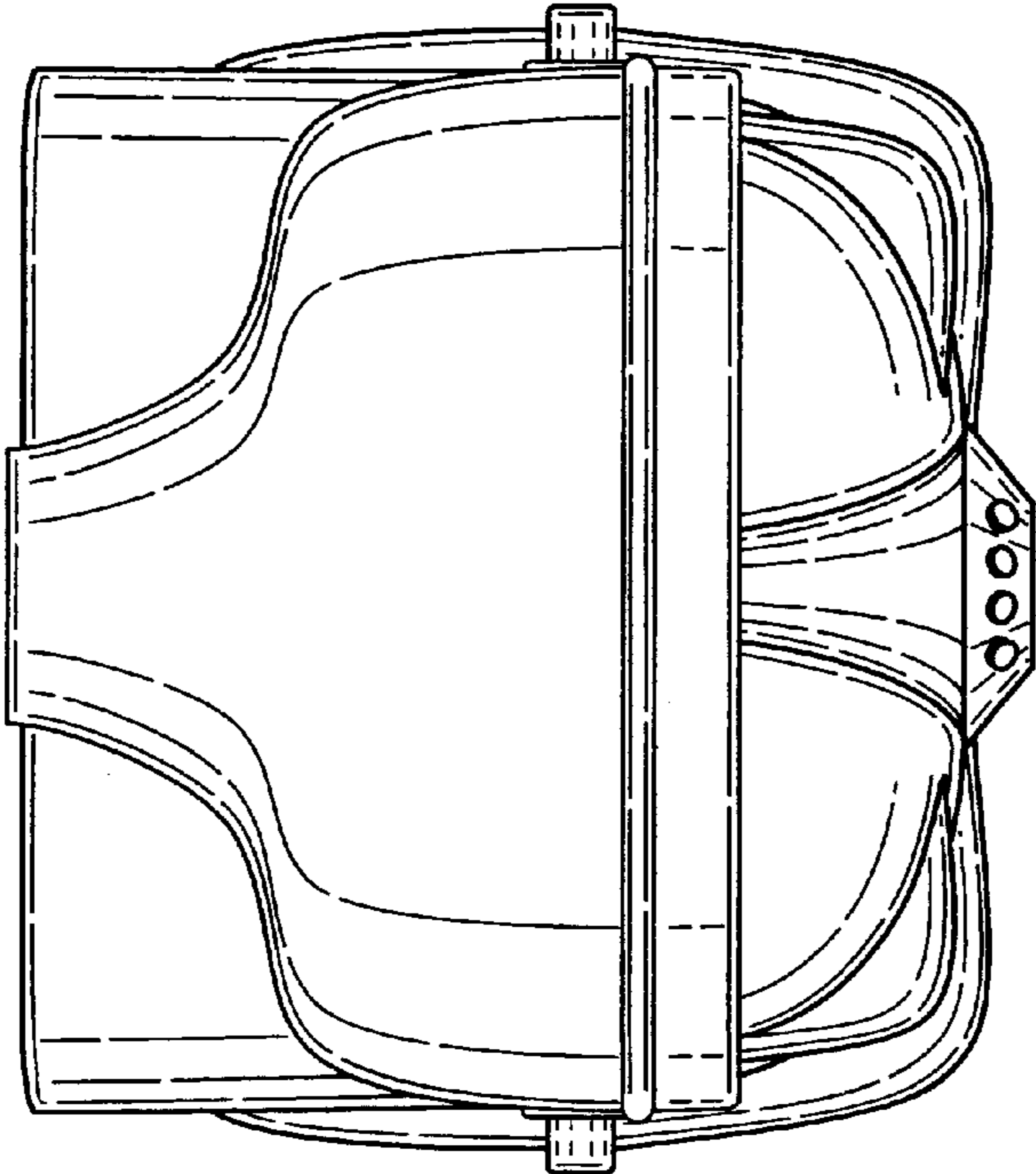


FIG. 3