

US00D504114S

(12) **United States Design Patent**  
**Montena**

(10) **Patent No.:** **US D504,114 S**  
(45) **Date of Patent:** **\*\* Apr. 19, 2005**

- (54) **CO-AXIAL CABLE CONNECTOR**
- (75) Inventor: **Noah P. Montena**, Syracuse, NY (US)
- (73) Assignee: **John Mezzalingua Associates, Inc.**,  
East Syracuse, NY (US)
- (\*\*) Term: **14 Years**
- (21) Appl. No.: **29/209,465**
- (22) Filed: **Jul. 14, 2004**
- (51) **LOC (7) Cl.** ..... **13-03**
- (52) **U.S. Cl.** ..... **D13/154**
- (58) **Field of Search** ..... D13/146, 154,  
D13/133; 439/578, 580, 583-585, 174,  
175

- 4,687,279 A \* 8/1987 Holland et al. .... 439/578
- 5,564,942 A \* 10/1996 Lee ..... 439/462
- D456,363 S \* 4/2002 Lee ..... D13/154

\* cited by examiner

*Primary Examiner*—Alan P. Douglas  
*Assistant Examiner*—Cynthia Chin  
(74) *Attorney, Agent, or Firm*—Schmeiser, Olsen & Watts

(57) **CLAIM**

The ornamental design for a co-axial cable connector, as shown and described.

**DESCRIPTION**

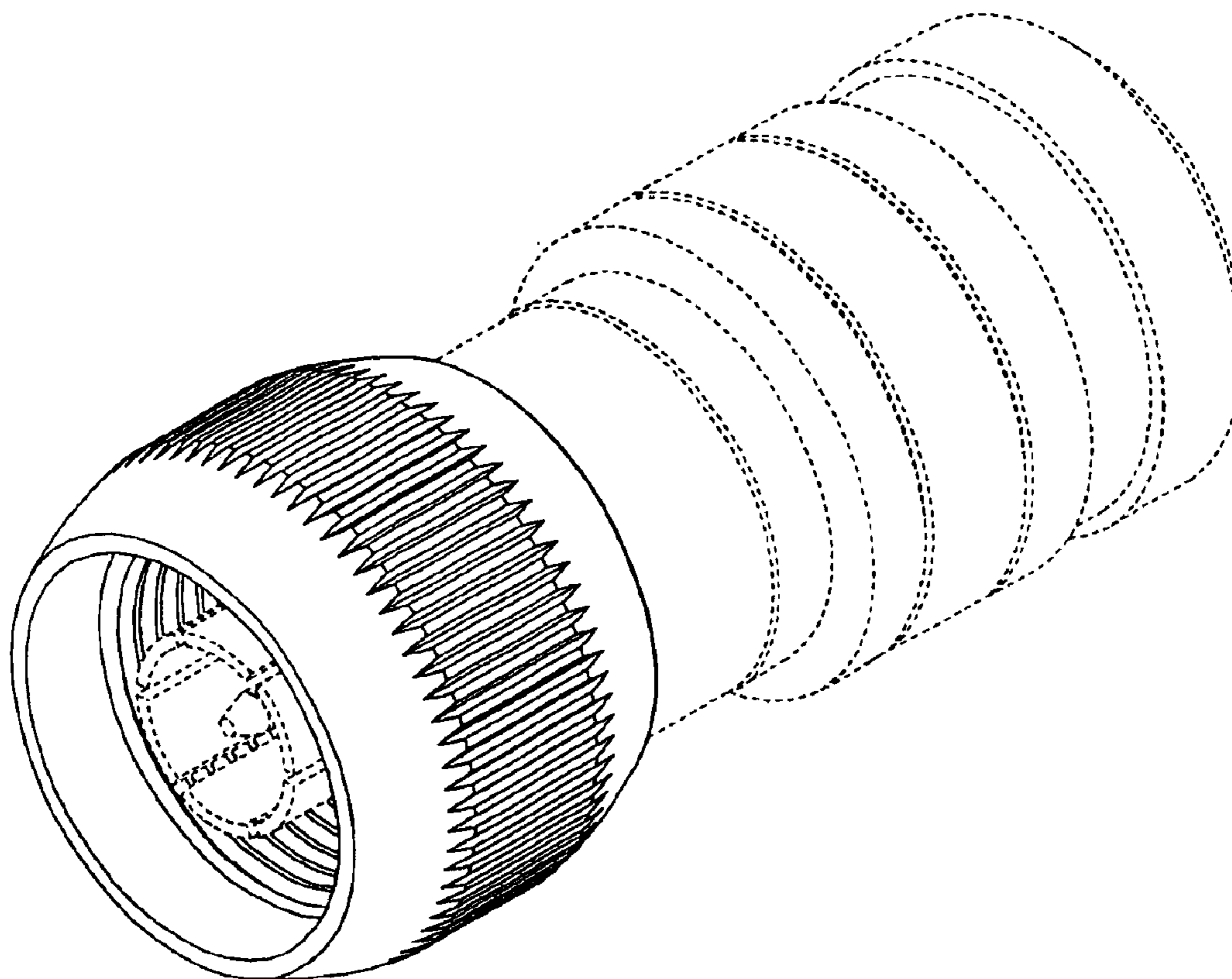
FIG. 1 is a perspective view of a co-axial cable connector showing my new design;  
FIG. 2 is a side elevational view thereof, the other side, top plan and bottom plan views being mirror images;  
FIG. 3 is a left end view of FIG. 1; and,  
FIG. 4 is a right end view of FIG. 1.  
The broken lines depict environmental structure and form no part of the claimed design.

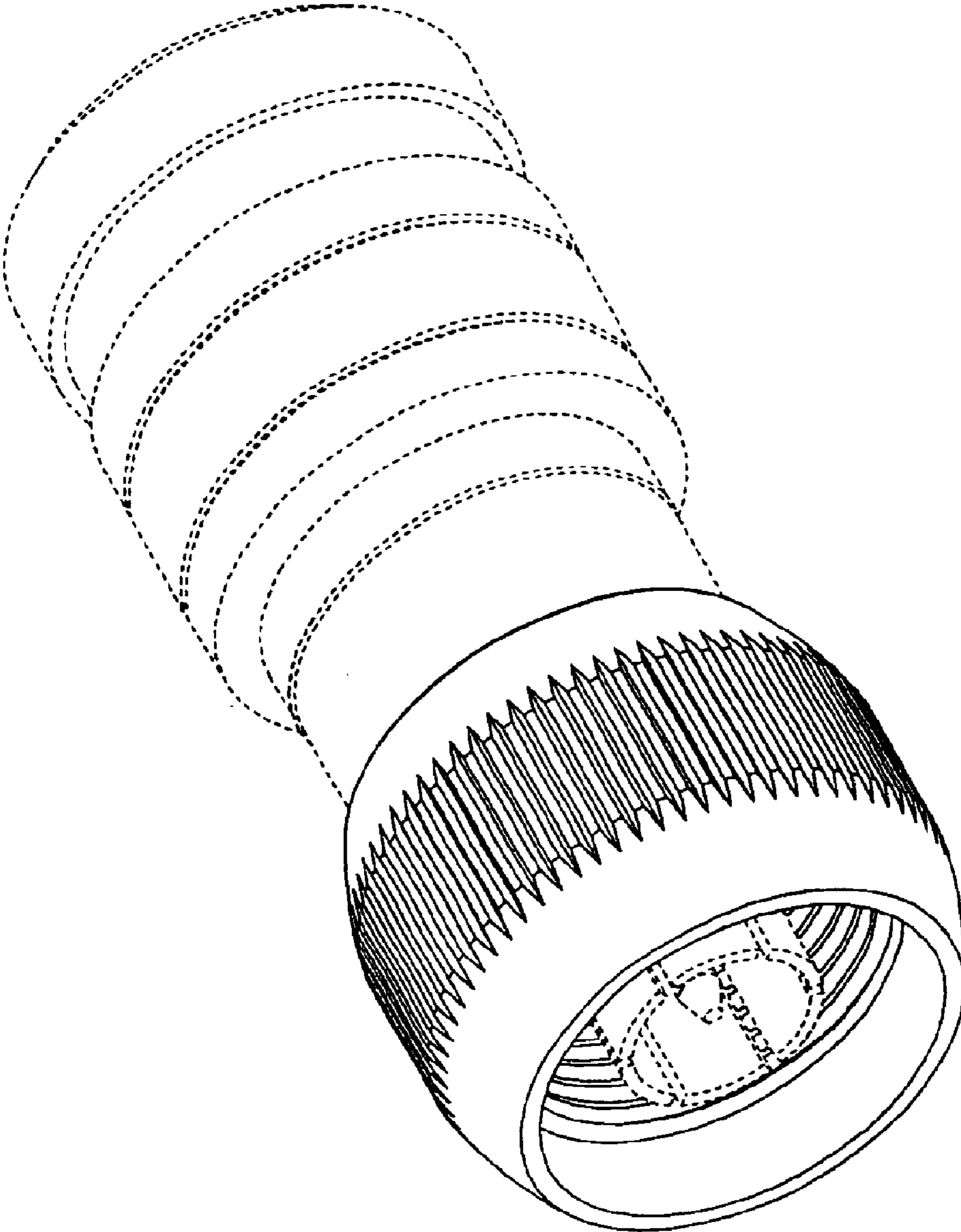
(56) **References Cited**

**U.S. PATENT DOCUMENTS**

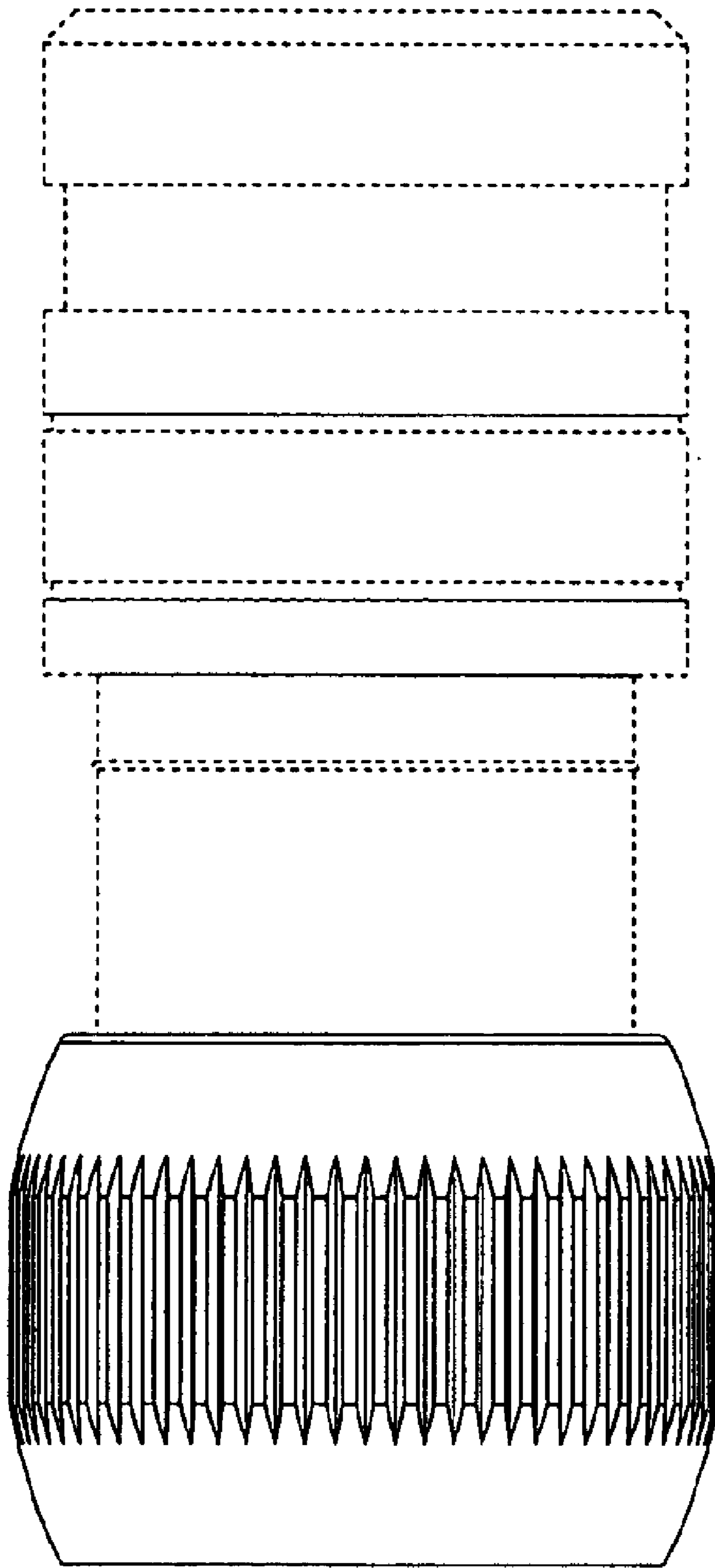
- 3,290,640 A \* 12/1966 Forney, Jr. .... 439/198
- 4,131,332 A \* 12/1978 Hogendobler et al. .... 439/585
- D277,583 S \* 2/1985 Kono ..... D16/130
- 4,575,274 A \* 3/1986 Hayward ..... 403/2

**1 Claim, 4 Drawing Sheets**

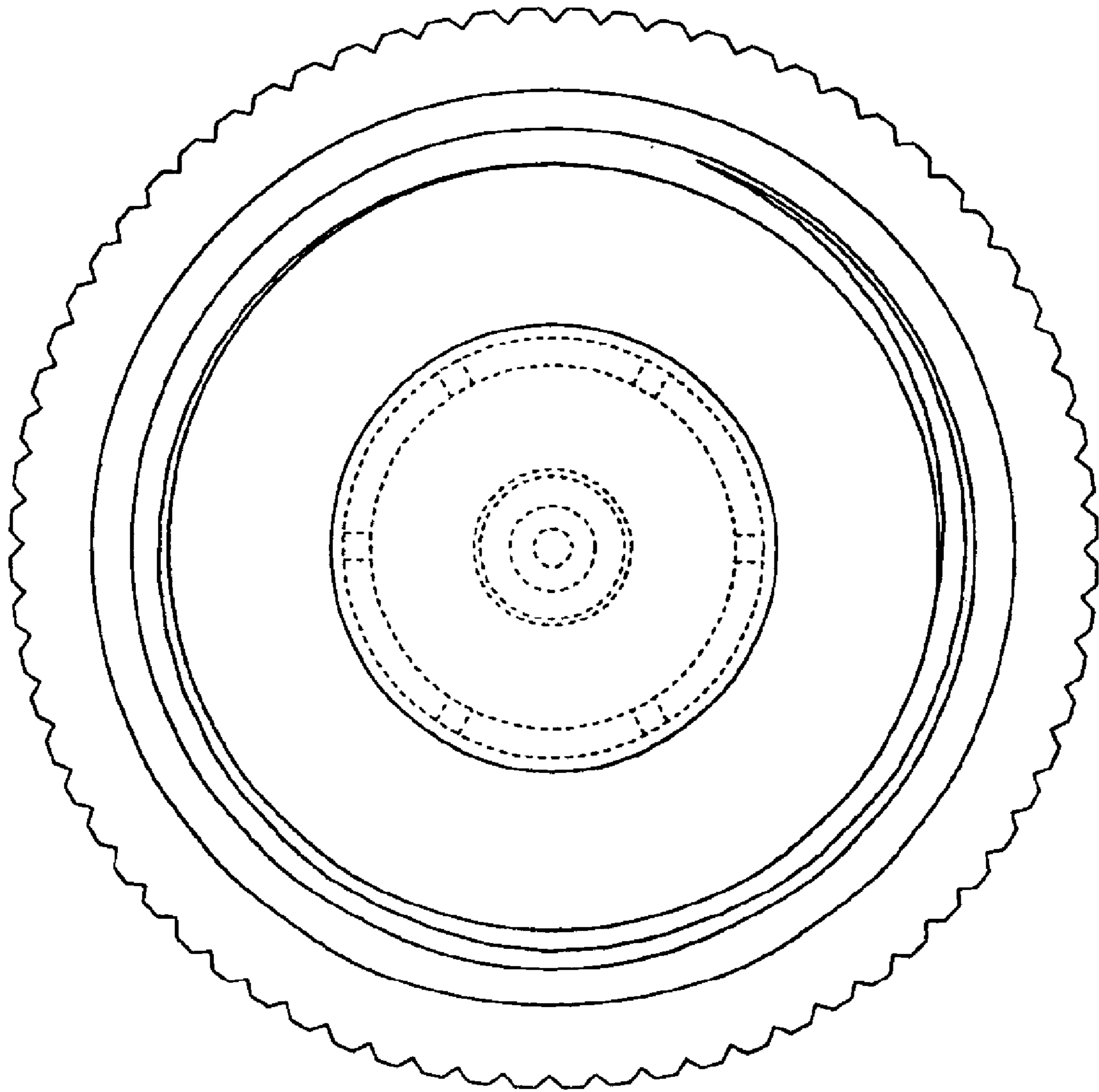




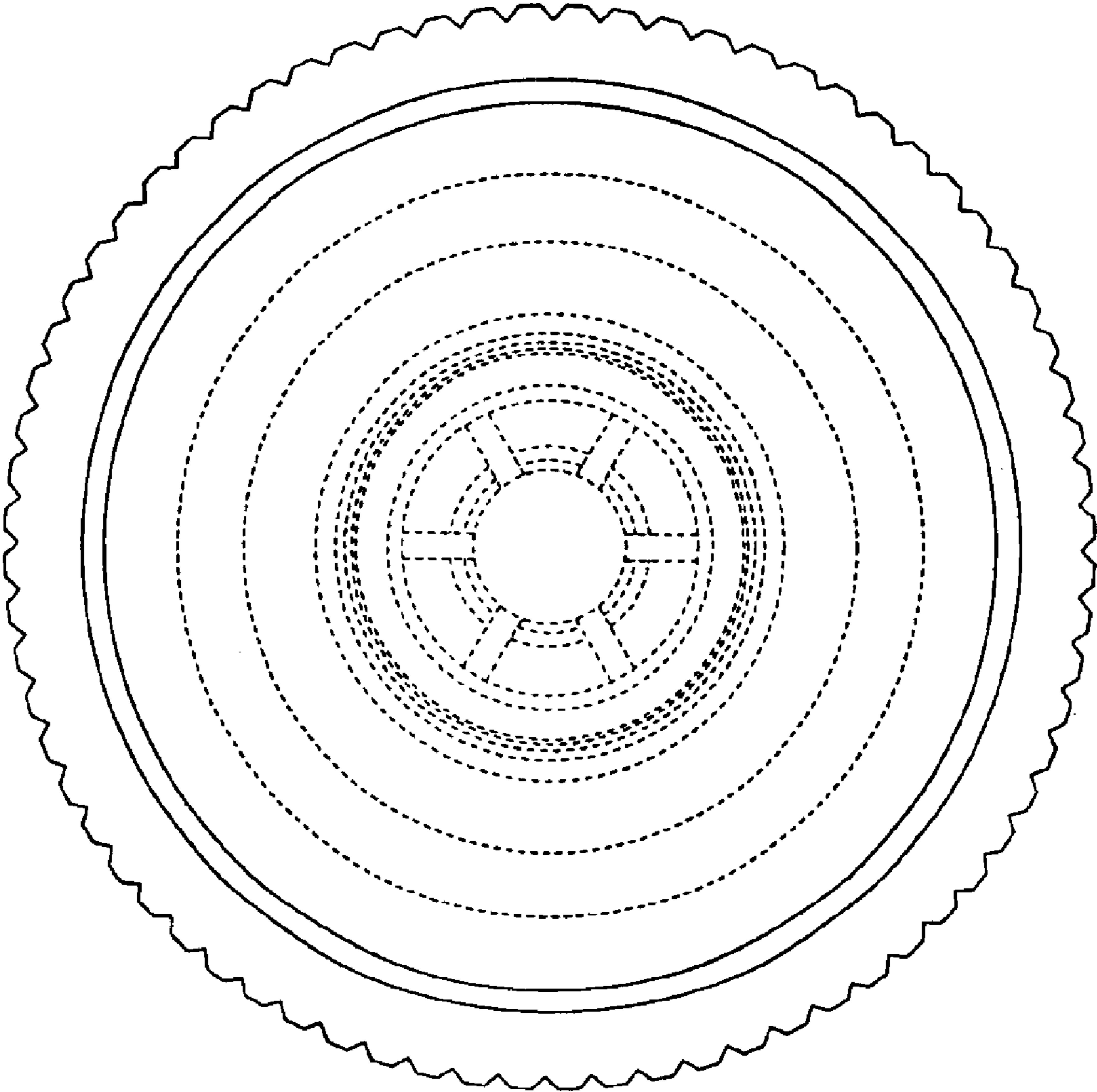
**FIG. 1**



**FIG. 2**



**FIG. 3**



**FIG. 4**