

US00D504111S

(12) **United States Design Patent**
Ozawa et al.

(10) **Patent No.:** **US D504,111 S**
(45) **Date of Patent:** **** Apr. 19, 2005**

(54) **BATTERY PACK FOR PORTABLE POWER TOOL**

(75) Inventors: **Takashi Ozawa**, Hitachinaka (JP);
Masato Sakai, Hitachinaka (JP); **Toshio Mizoguchi**, Hitachinaka (JP)

(73) Assignee: **Hitachi Koki Co., Ltd.**, Tokyo (JP)

(**) Term: **14 Years**

(21) Appl. No.: **29/209,414**

(22) Filed: **Jul. 15, 2004**

(30) **Foreign Application Priority Data**

Jan. 16, 2004 (JP) 2004-000838

(51) **LOC (7) Cl.** **13-02**

(52) **U.S. Cl.** **D13/103**

(58) **Field of Search** D13/103-104,
D13/106-108, 110, 119, 184; 429/96-100,
163, 178

(56) **References Cited**

U.S. PATENT DOCUMENTS

- D304,822 S * 11/1989 Fushiya et al. D13/103
- D334,012 S * 3/1993 Chen D13/103
- D342,479 S * 12/1993 Kimata D13/103
- D384,639 S * 10/1997 Kawakami et al. D13/103
- D387,728 S * 12/1997 Kawakami et al. D13/103
- D397,991 S * 9/1998 Kawakami et al. D13/103

- D412,485 S * 8/1999 Kato et al. D13/103
- D417,648 S * 12/1999 Clowers et al. D13/103
- 6,007,939 A * 12/1999 Clowers 429/99
- D432,077 S * 10/2000 Zurwelle et al. D13/103
- 6,326,101 B1 * 12/2001 White et al. 429/99
- D466,863 S * 12/2002 Zurwelle et al. D13/119
- D474,445 S * 5/2003 Matsuoka et al. D13/103

FOREIGN PATENT DOCUMENTS

JP 1 137 507 4/2002

* cited by examiner

Primary Examiner—Alan P. Douglas
Assistant Examiner—Rosemary Tarca

(74) *Attorney, Agent, or Firm*—Sughrue Mion, PLLC

(57) **CLAIM**

The ornamental design for a battery pack for portable power tool, as shown.

DESCRIPTION

FIG. 1 is a perspective view of the top, front and left side of a battery pack for portable power tool; FIG. 2 is a front elevational view thereof; FIG. 3 is a rear elevational view thereof; FIG. 4 is a right side elevational view thereof; FIG. 5 is a left side elevational view thereof; FIG. 6 is a top plan view; and, FIG. 7 is a bottom plan view.

1 Claim, 7 Drawing Sheets

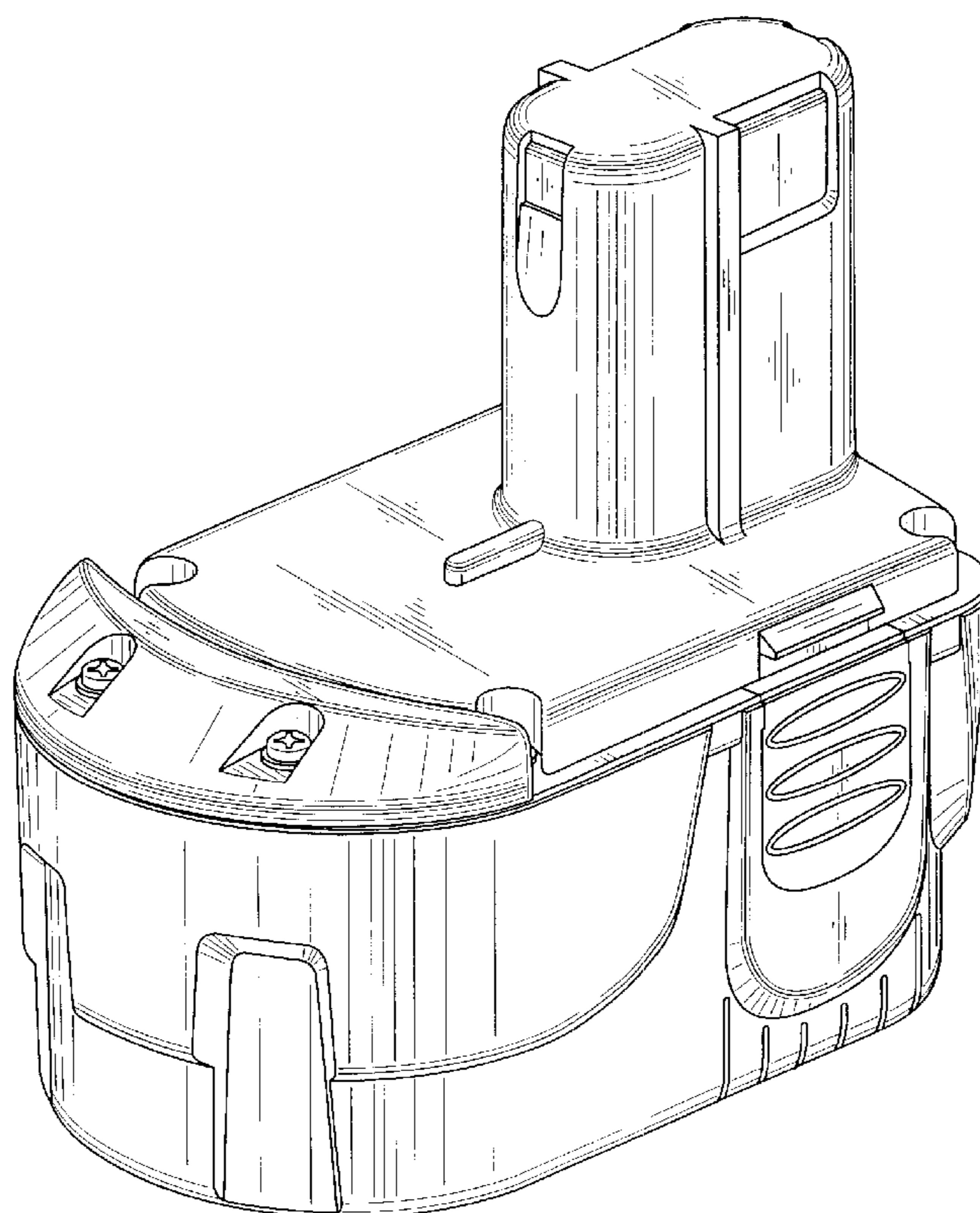


FIG. 1

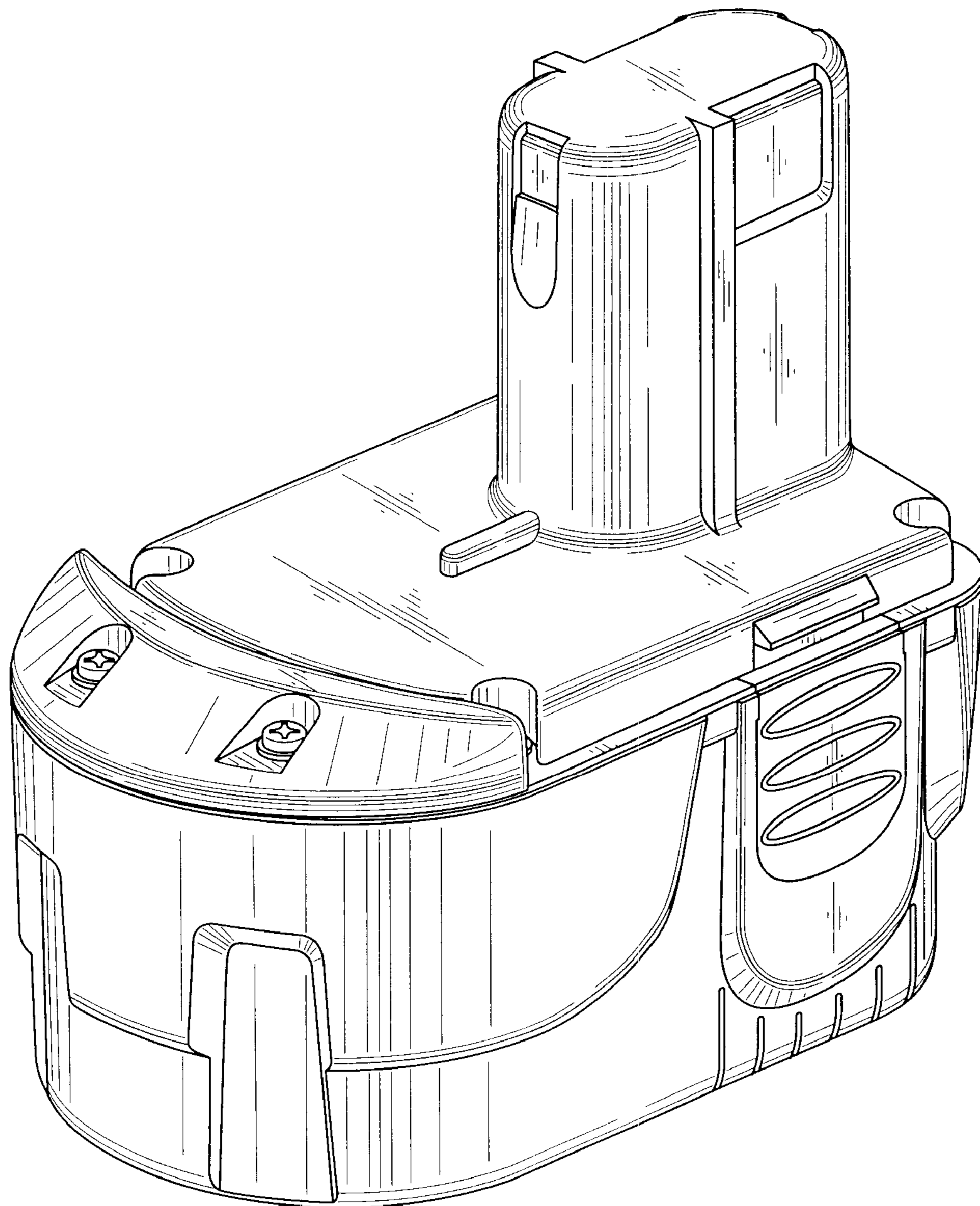


FIG. 2

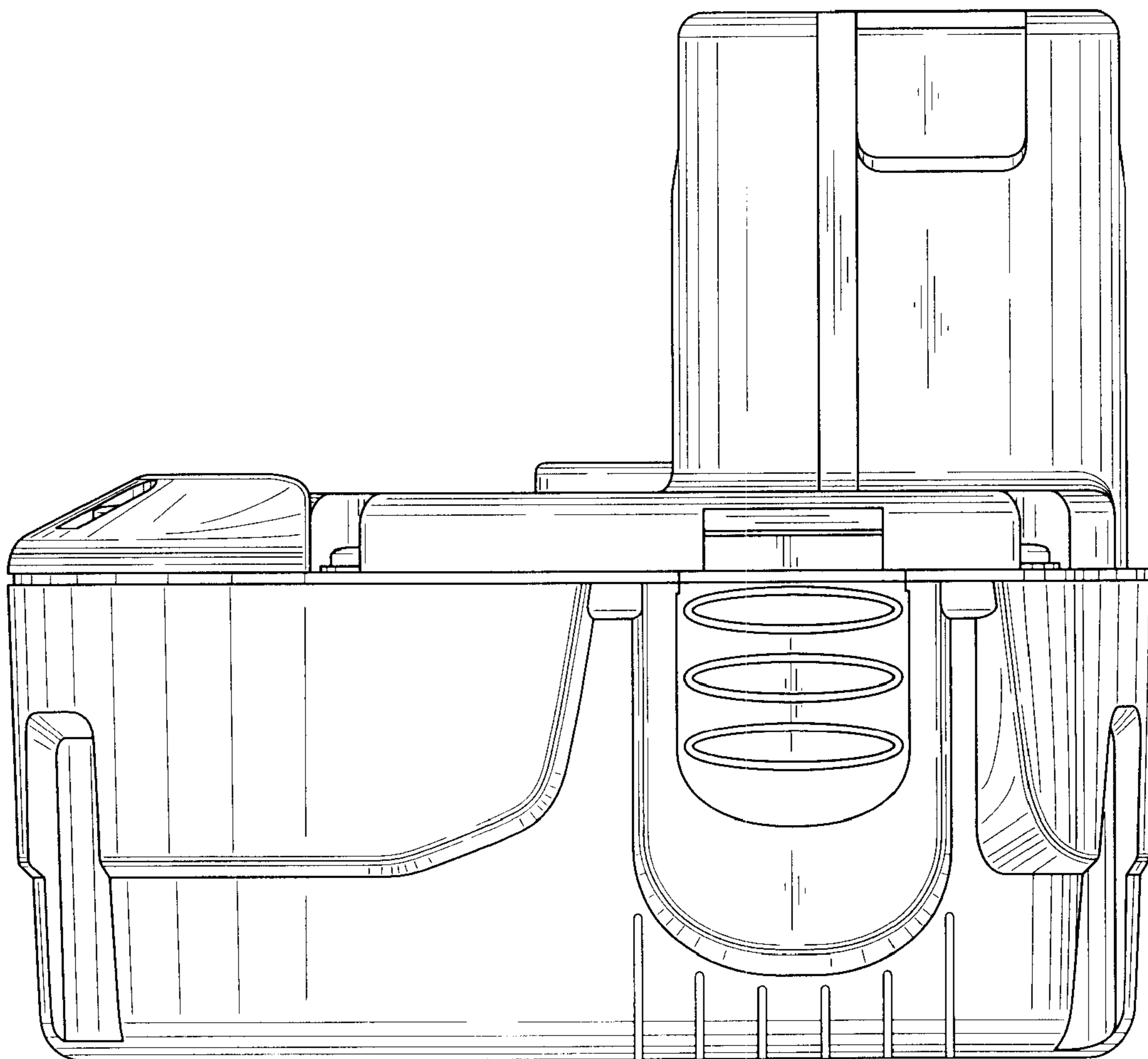


FIG. 3

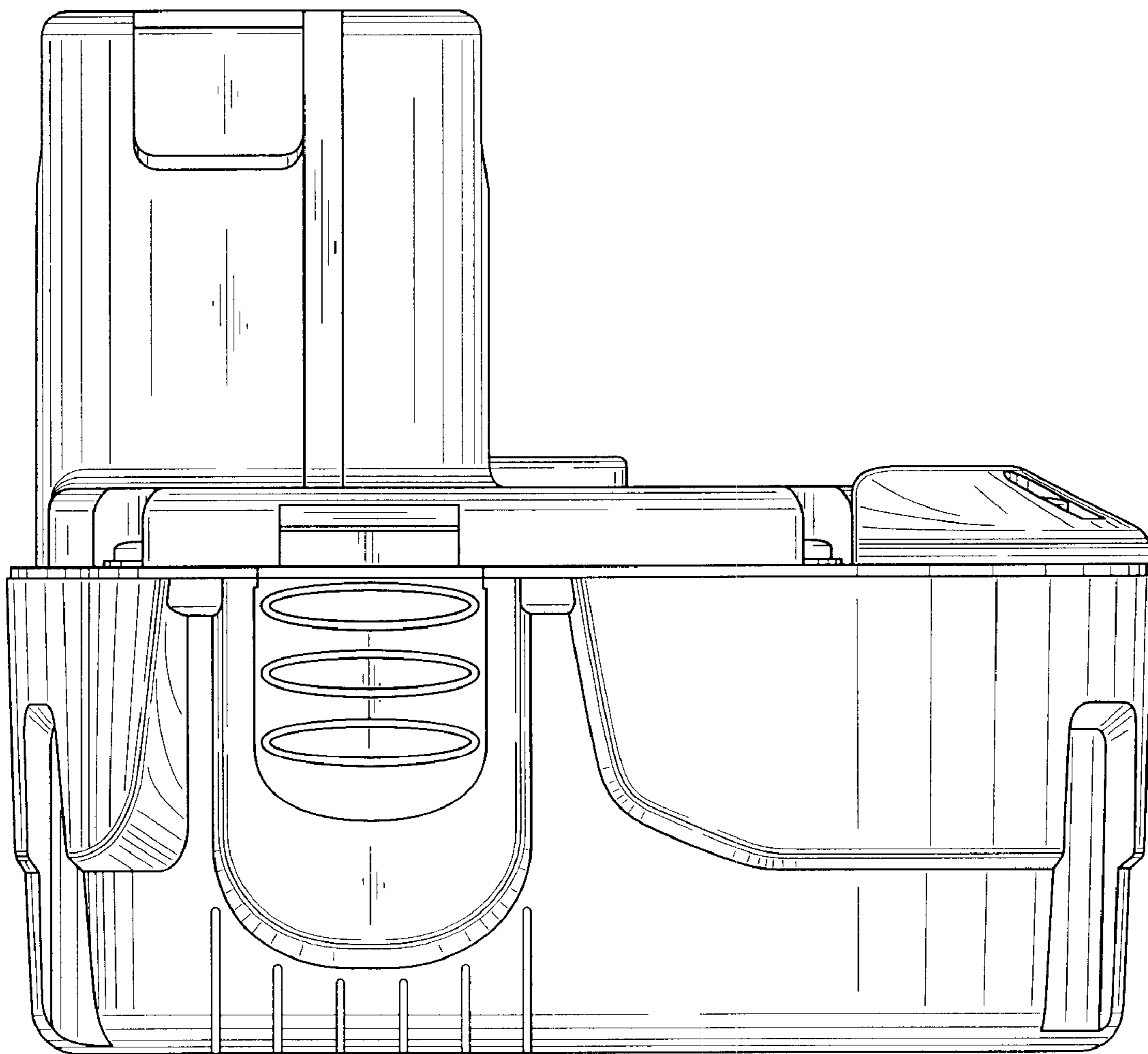


FIG. 4

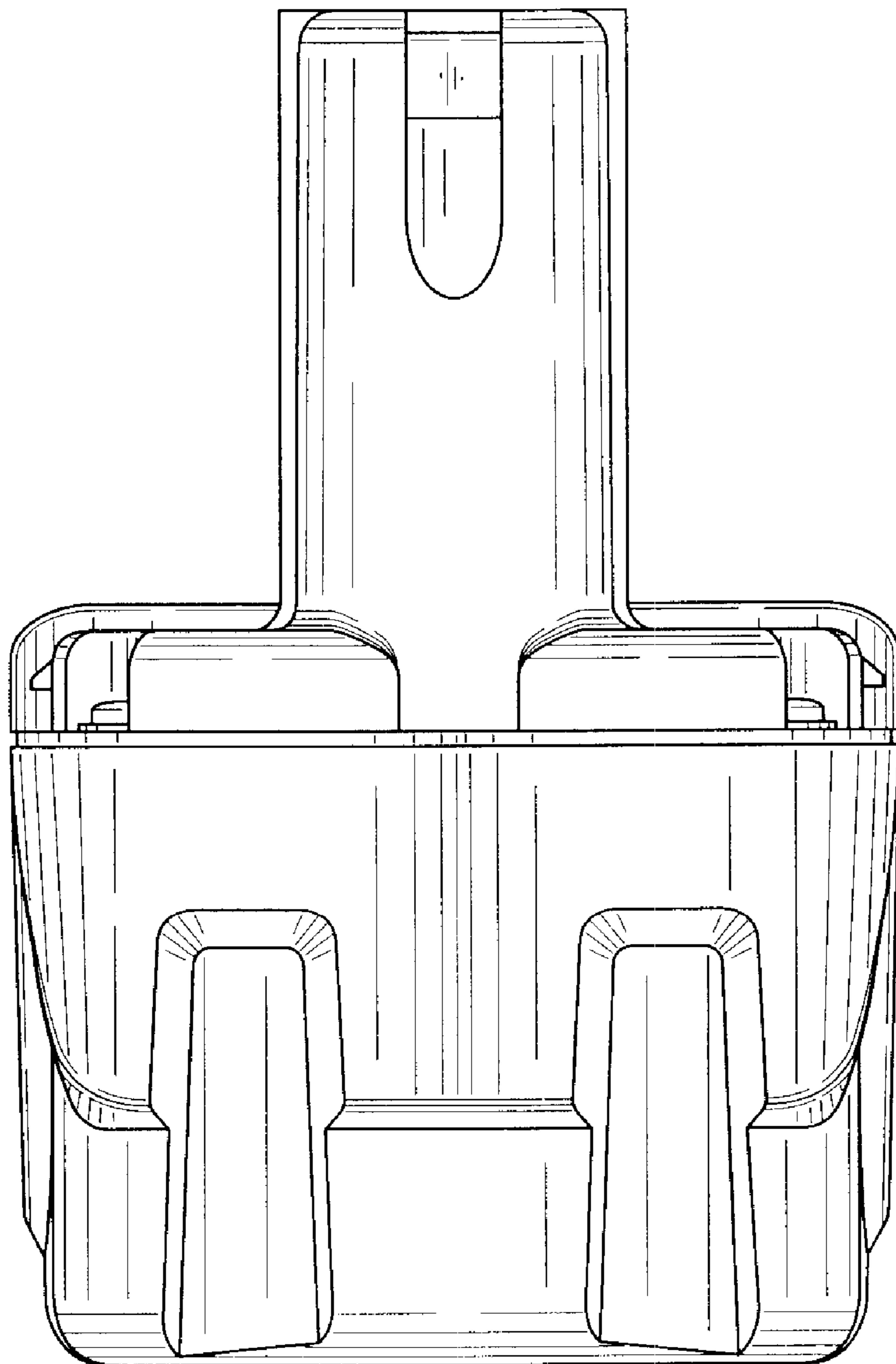


FIG. 5

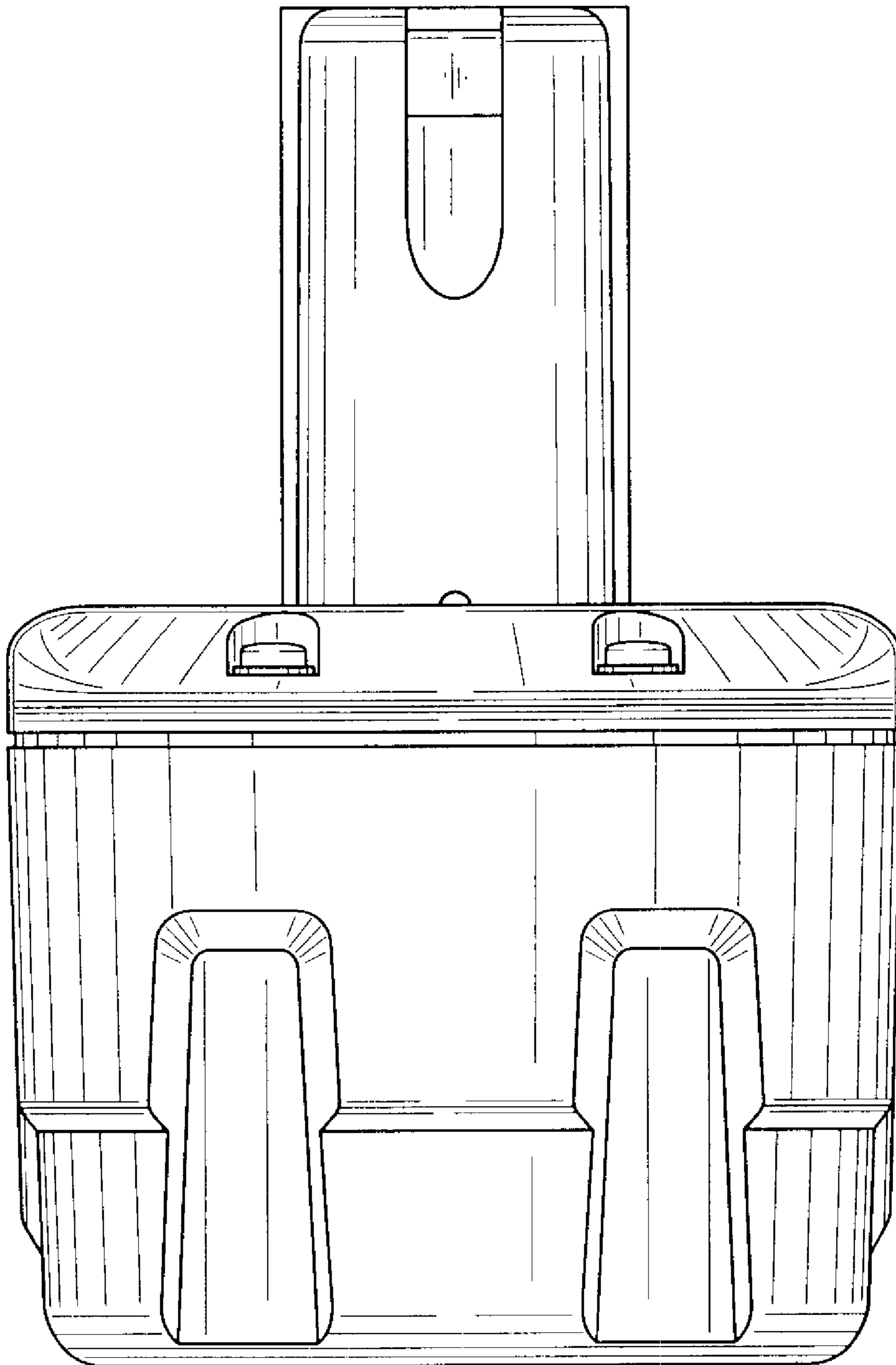


FIG. 6

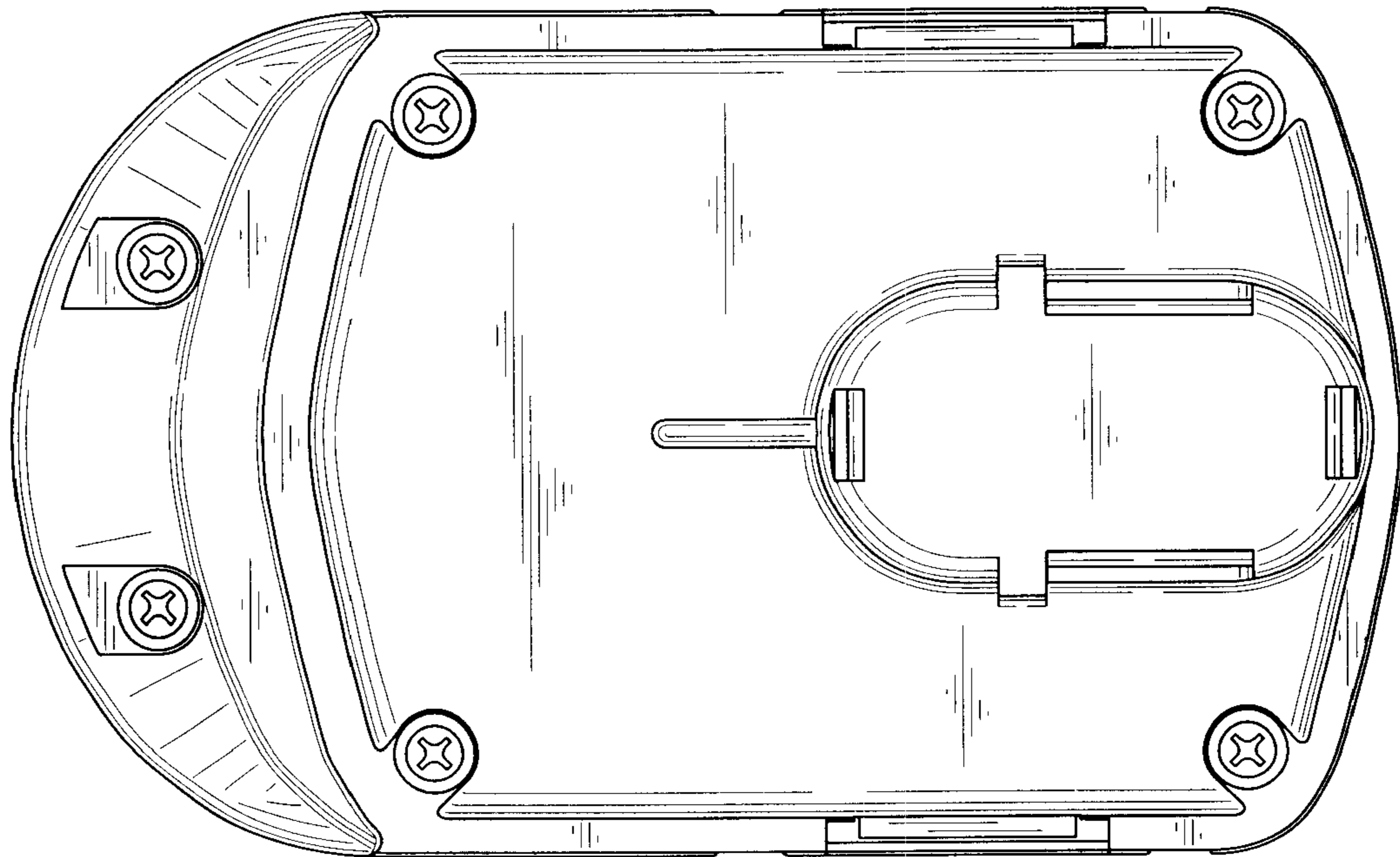


FIG. 7

