

US00D504110S

(12) **United States Design Patent**
Berentzen et al.

(10) **Patent No.: US D504,110 S**
(45) **Date of Patent: ** Apr. 19, 2005**

(54) **SHORT BATTERY**

(75) Inventors: **Tine Berentzen**, Bellport, NY (US);
Carl Thelemann, East Islip, NY (US);
Edward M. Voli, East Setauket, NY
(US); **Thomas Wulff**, North Patchogue,
NY (US); **Jaeho Choi**, Whitestone, NY
(US)

(73) Assignee: **Symbol Technologies, Inc.**, Holtsville,
NY (US)

(**) Term: **14 Years**

(21) Appl. No.: **29/207,308**

(22) Filed: **Jul. 1, 2004**

(51) **LOC (7) Cl.** **13-02**

(52) **U.S. Cl.** **D13/103**

(58) **Field of Search** D13/103-104,
D13/106-108, 110, 119, 184; D14/188;
429/96-100, 163, 178

(56) **References Cited**

U.S. PATENT DOCUMENTS

D250,528 S * 12/1978 Kaye D13/103
D264,580 S * 5/1982 McKeeman D13/103
D300,132 S * 3/1989 Culbertson et al. D13/103
D400,161 S * 10/1998 Nagele et al. D13/103

D425,476 S * 5/2000 Campbell et al. D13/103
D436,917 S * 1/2001 Hayakawa et al. D13/103
D473,186 S * 4/2003 Grosfeld et al. D13/103
D478,608 S * 8/2003 Briks et al. D16/237
D481,672 S * 11/2003 Niwa et al. D13/103
D483,012 S * 12/2003 Hsu D13/103
D483,721 S * 12/2003 Kim et al. D13/110

* cited by examiner

Primary Examiner—Alan P. Douglas

Assistant Examiner—Rosemary Tarcza

(74) *Attorney, Agent, or Firm*—Amin & Turocy, LLP

(57) **CLAIM**

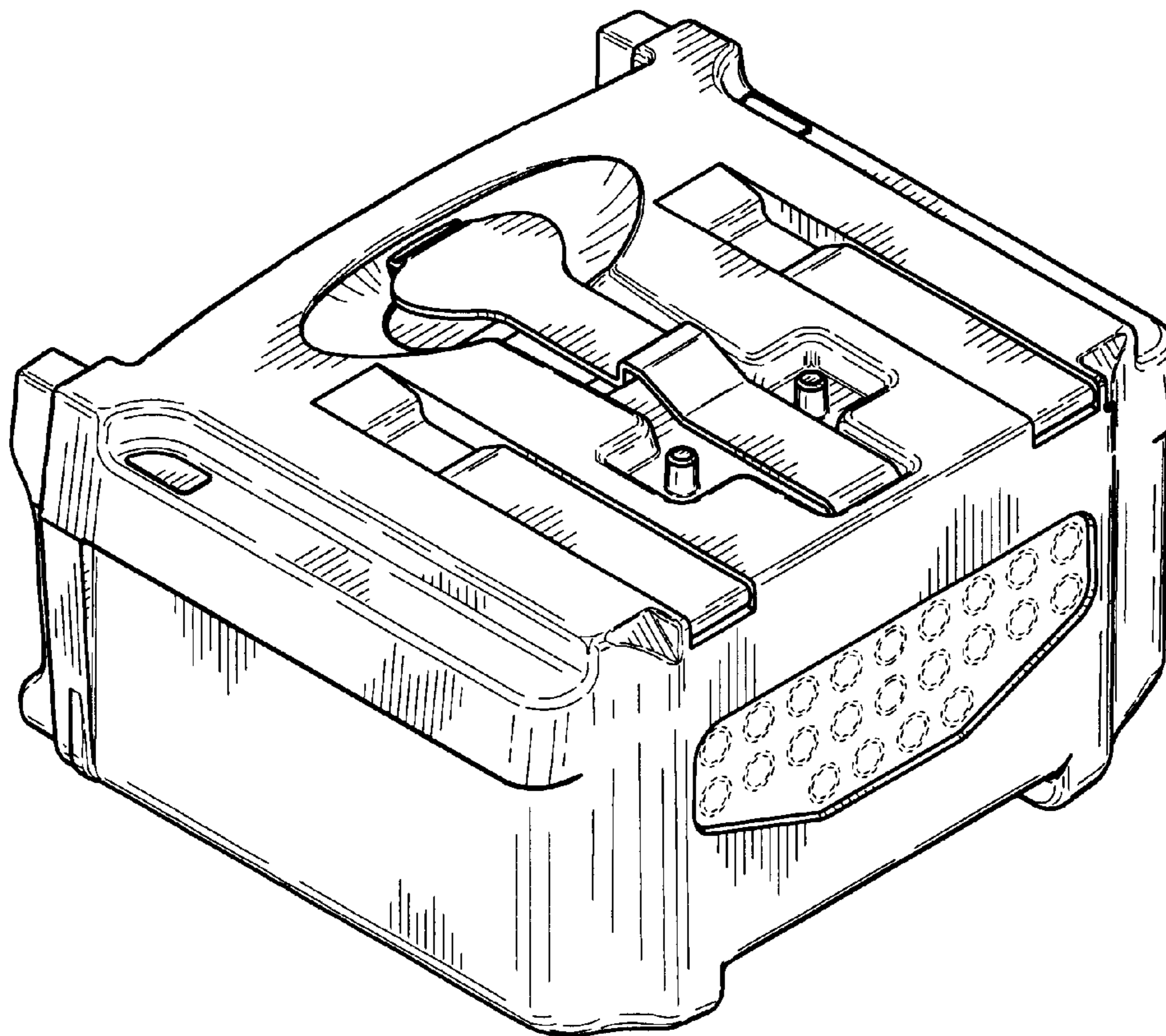
The ornamental design for a short battery, as shown and described.

DESCRIPTION

FIG. 1 is a perspective view of the top, front, and right side of a battery showing our new design; FIG. 2 is a front view thereof; FIG. 3 is a back view thereof; FIG. 4 is a top view thereof; FIG. 5 is a bottom view thereof; FIG. 6 is a right side view thereof; and, FIG. 7 is a left side view thereof.

The broken lines shown in FIGS. 1-3 are for illustrative purposes only and form no part of the claimed design.

1 Claim, 3 Drawing Sheets



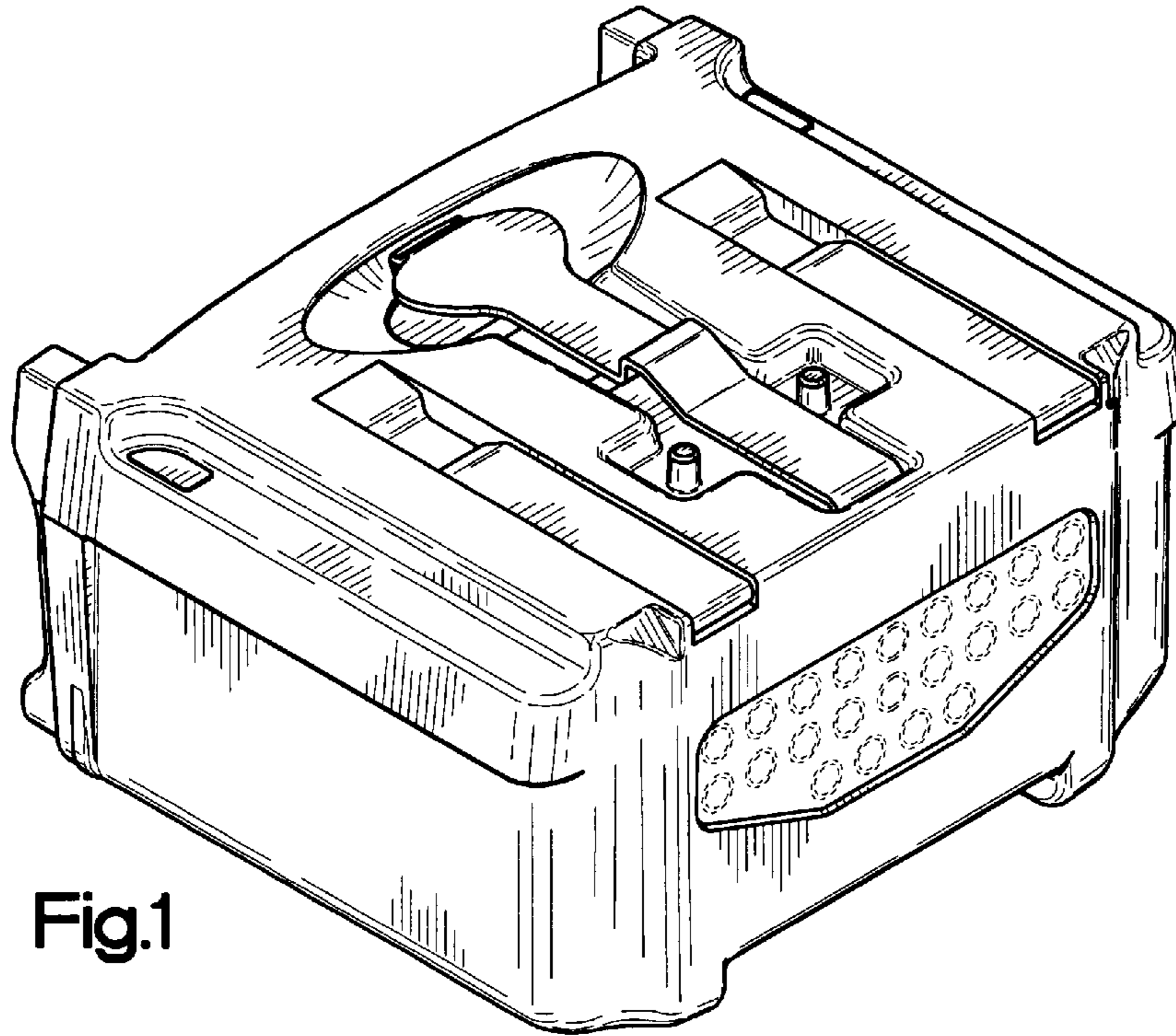


Fig.1

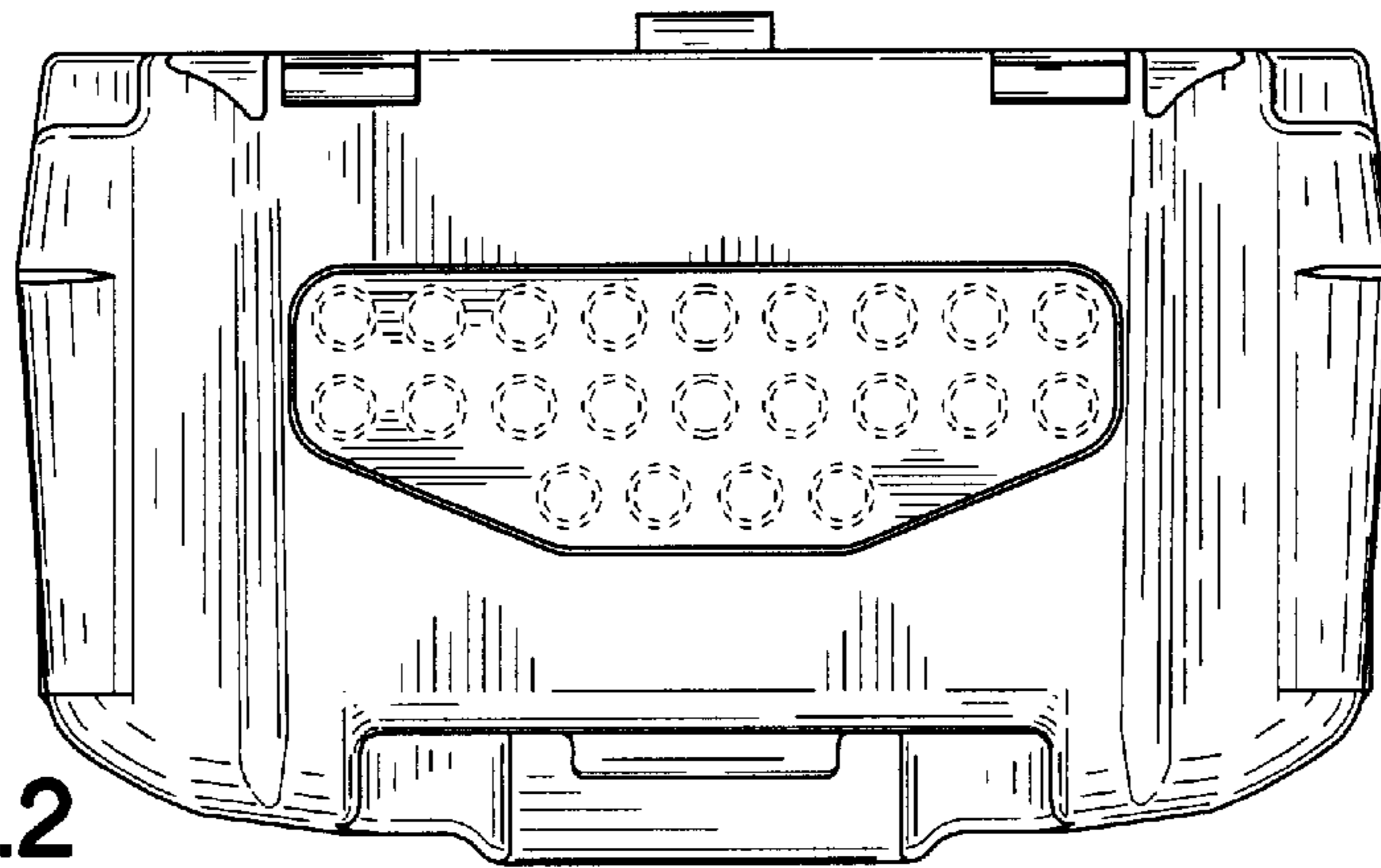


Fig.2

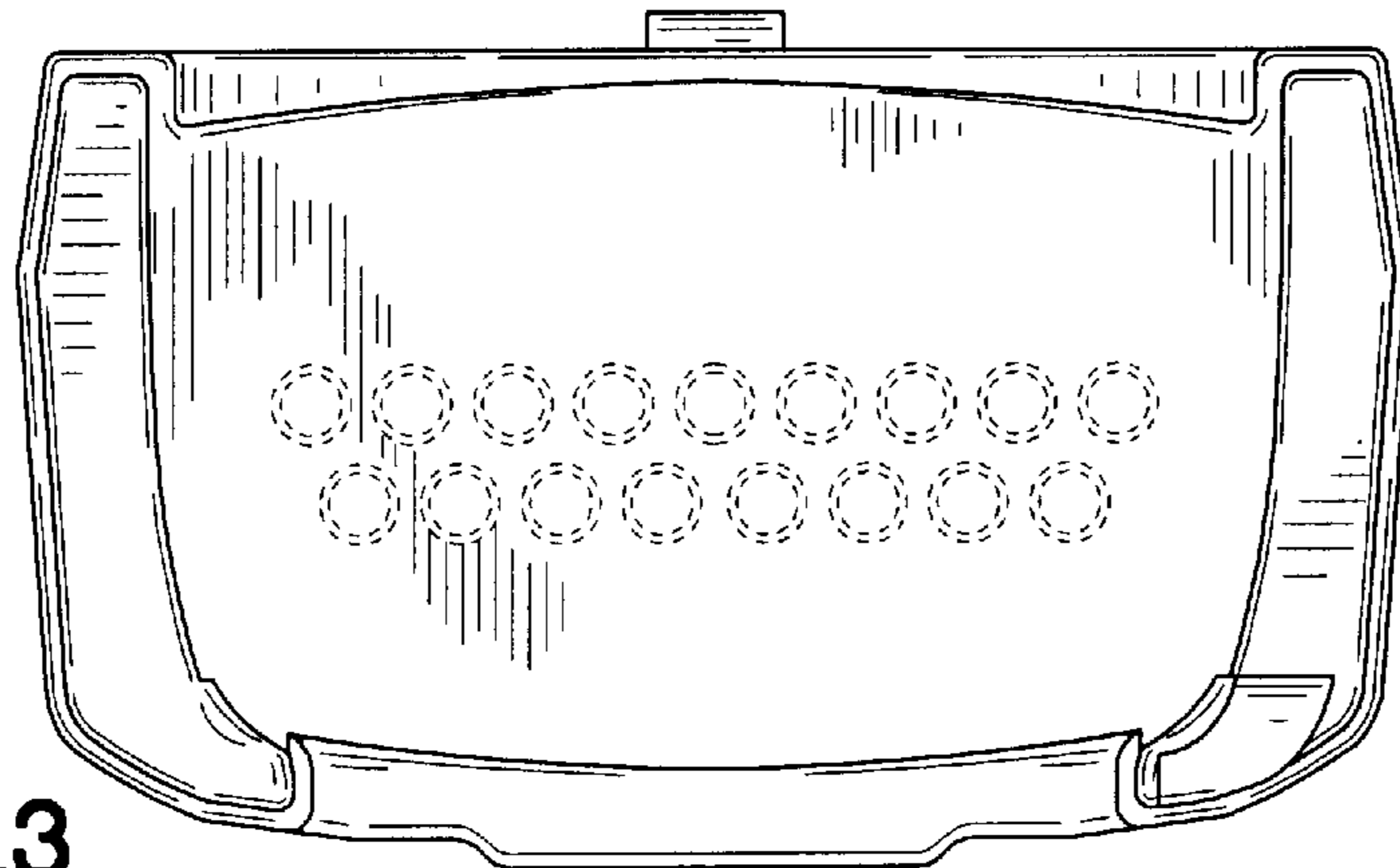


Fig.3

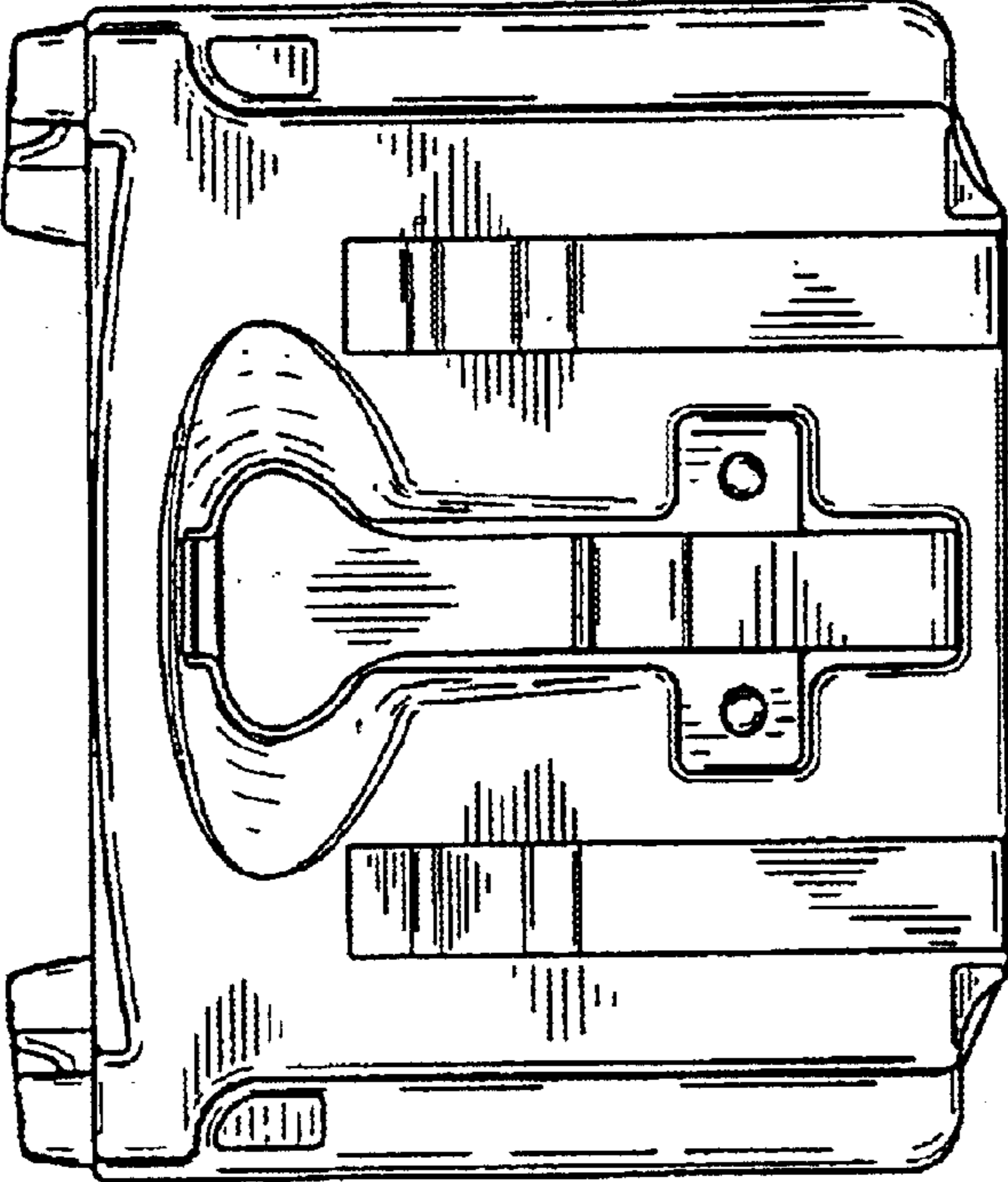


Fig.4

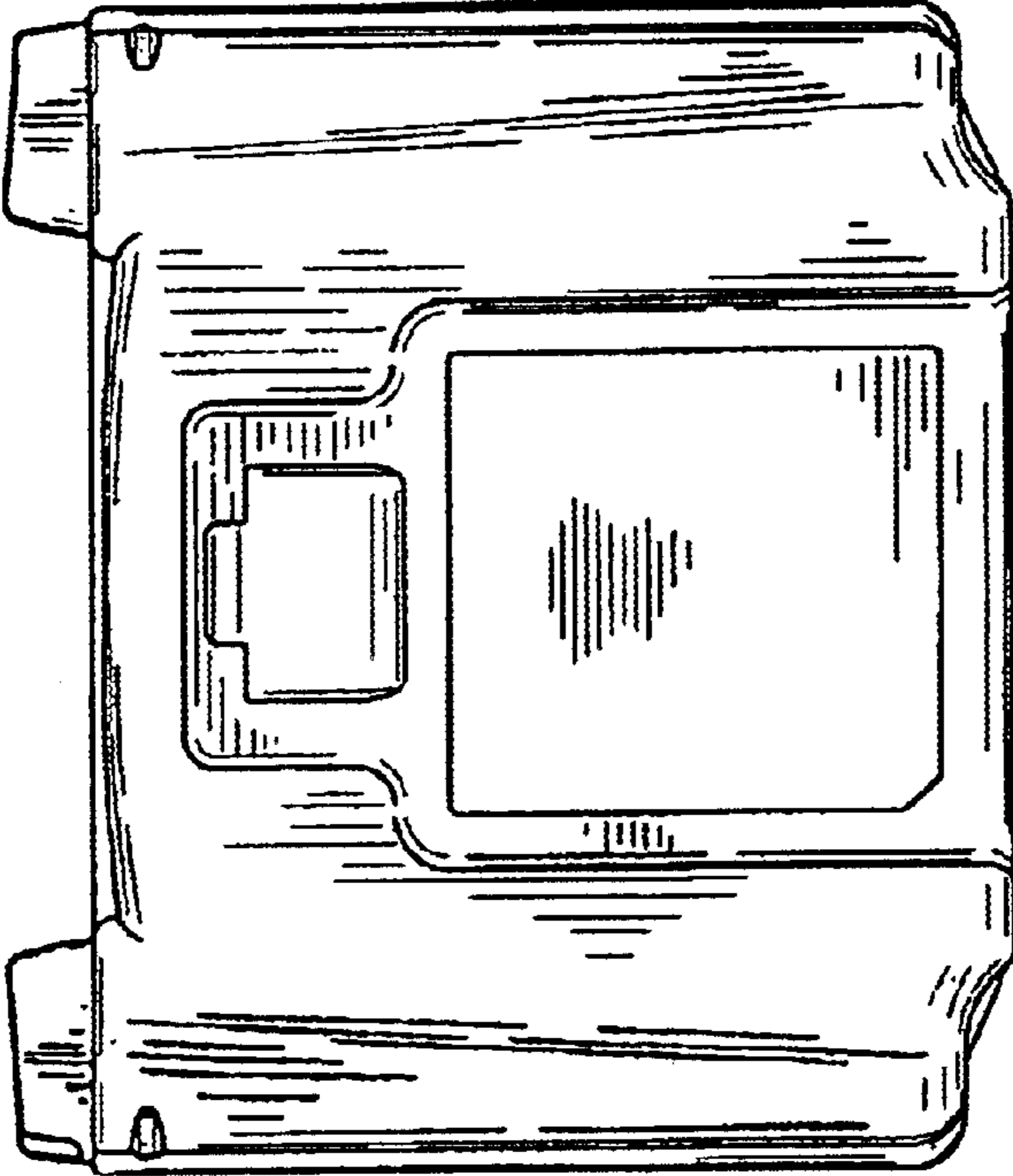


Fig.5

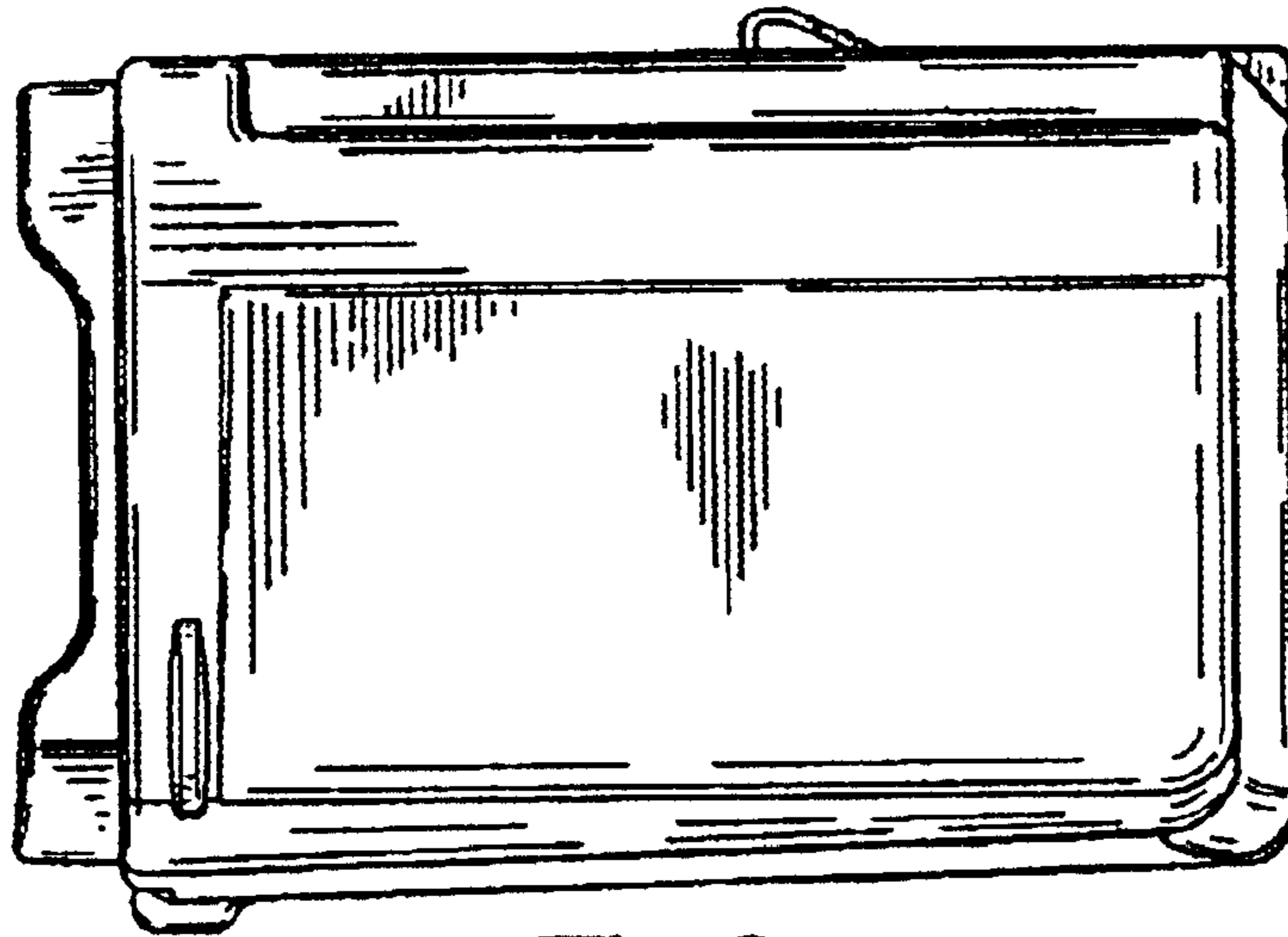


Fig.6

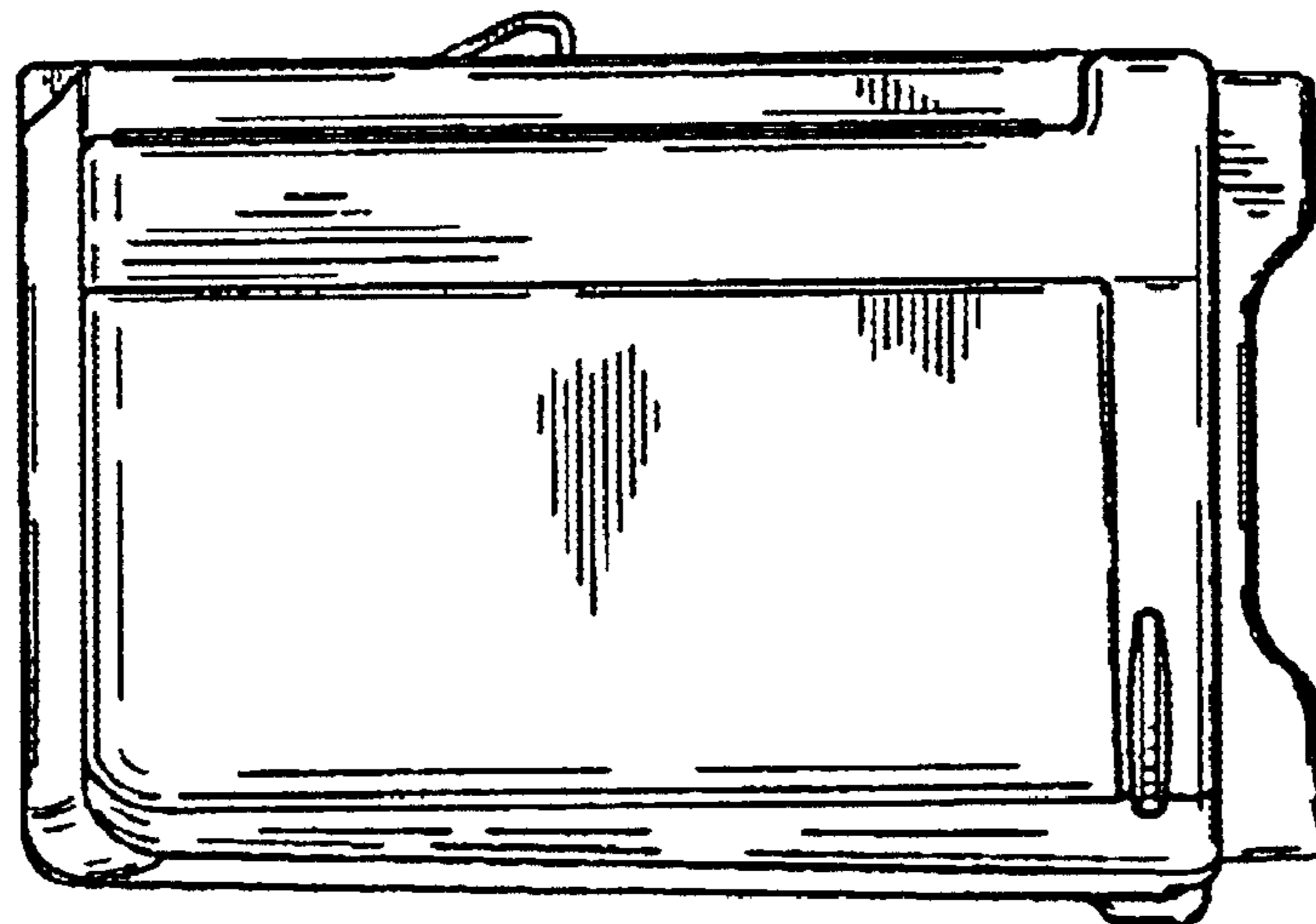


Fig.7