

US00D504101S

(12) **United States Design Patent**  
**Pfeiffer**

(10) **Patent No.: US D504,101 S**

(45) **Date of Patent: \*\* Apr. 19, 2005**

(54) **FRONT FACE OF A VEHICLE WHEEL**

(75) **Inventor: Peter Pfeiffer, Boeblingen (DE)**

(73) **Assignee: DaimlerChrysler AG, Stuttgart (DE)**

(\*\*) **Term: 14 Years**

(21) **Appl. No.: 29/204,745**

(22) **Filed: May 4, 2004**

(30) **Foreign Application Priority Data**

Nov. 5, 2003 (DE) ..... 403 07 043

(51) **LOC (7) Cl. .... 12-16**

(52) **U.S. Cl. .... D12/211**

(58) **Field of Search ..... D12/204-213;**  
301/37.101, 64.101, 65

(56) **References Cited**

**U.S. PATENT DOCUMENTS**

- D406,807 S \* 3/1999 Shikado ..... D12/211
- D413,853 S \* 9/1999 Hale, Jr. .... D12/211
- D414,454 S \* 9/1999 Chung ..... D12/211
- D432,975 S \* 10/2000 Chung ..... D12/211
- D456,332 S \* 4/2002 Vian ..... D12/211
- D457,118 S \* 5/2002 Bhambra ..... D12/211
- D457,119 S \* 5/2002 Braun et al. .... D12/211

- D468,250 S \* 1/2003 Donikoglu ..... D12/209
- D473,836 S \* 4/2003 Laengerer ..... D12/211
- D482,309 S \* 11/2003 Sulahian ..... D12/211
- D484,447 S \* 12/2003 Warming ..... D12/211
- D493,404 S \* 7/2004 Baum ..... D12/211
- D493,763 S \* 8/2004 Sands ..... D12/211

\* cited by examiner

*Primary Examiner*—Stacia Cadmus

(74) *Attorney, Agent, or Firm*—Crowell & Moring LLP

(57) **CLAIM**

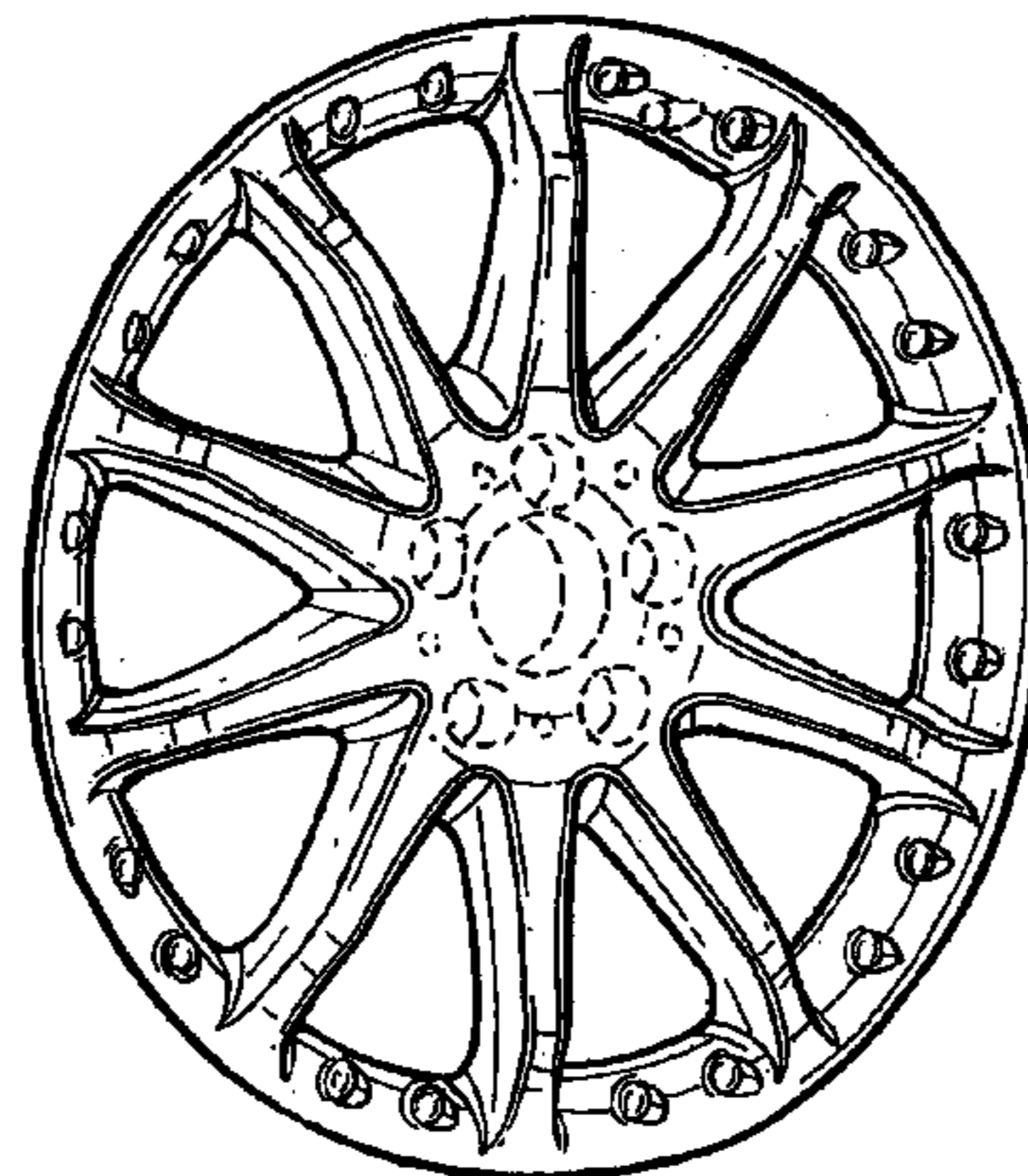
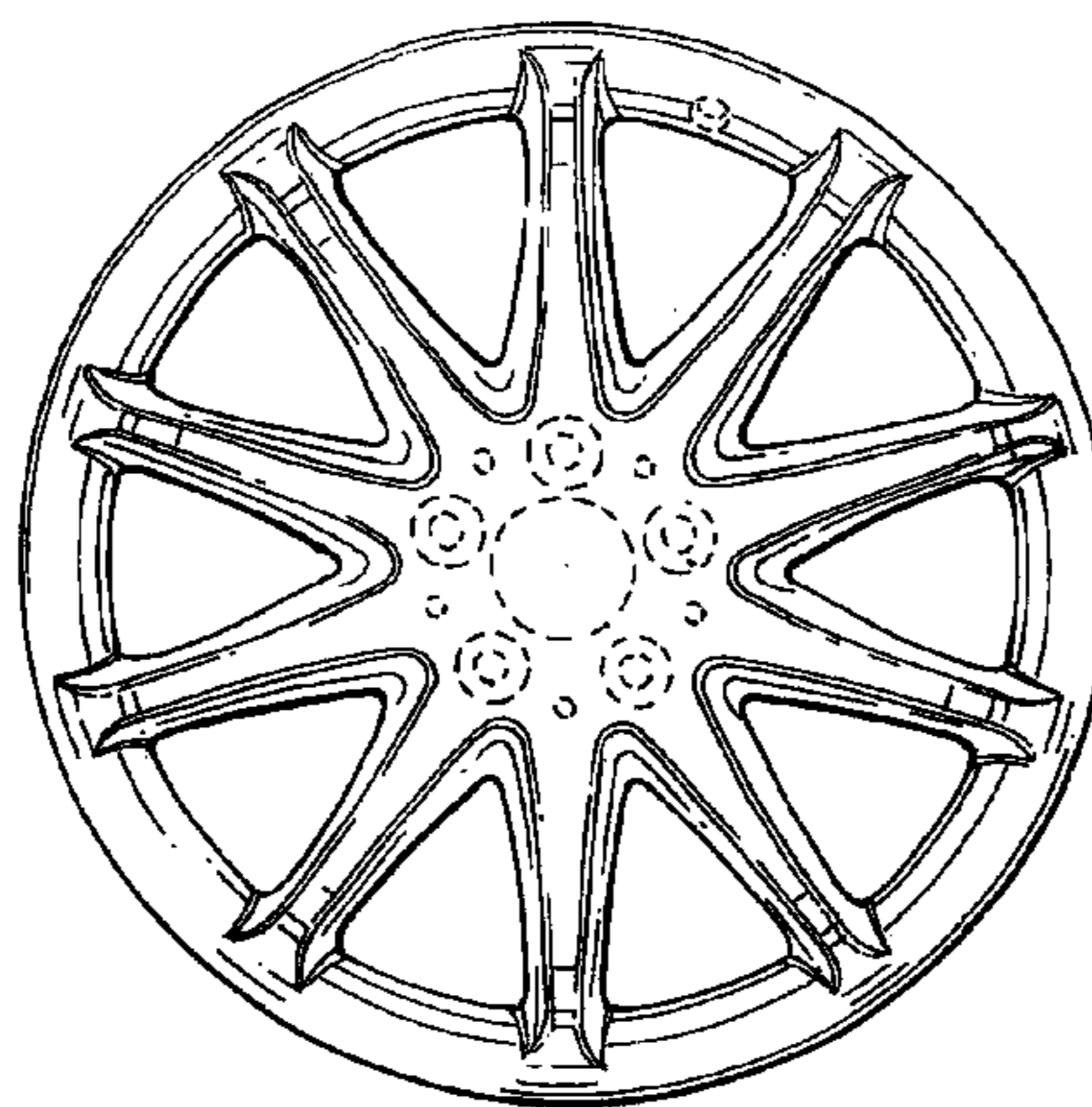
The ornamental design for a front face of a vehicle wheel, as shown and described.

**DESCRIPTION**

FIG. 1 is a front view of a first embodiment of a front face of a vehicle wheel according to my novel design; FIG. 2 is a perspective view of the first embodiment of the front face of a vehicle wheel according to my novel design; FIG. 3 is a front view of a second embodiment of the front face of a vehicle wheel according to my novel design; and, FIG. 4 is a perspective view of the second embodiment of the front face of a vehicle wheel according to my novel design.

The broken lines are for illustrative purposes only and form no part of the claimed design.

**1 Claim, 2 Drawing Sheets**



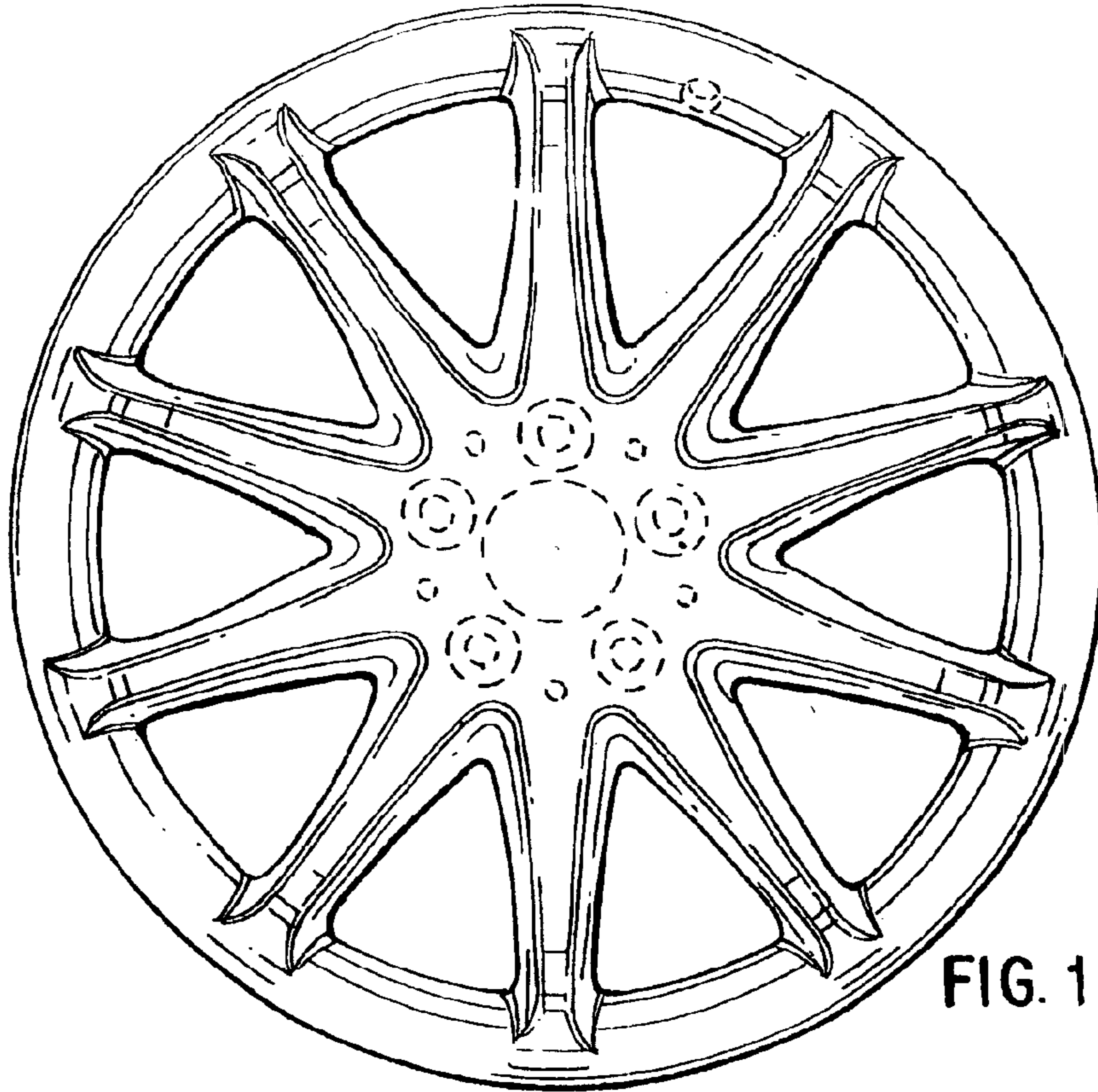


FIG. 1

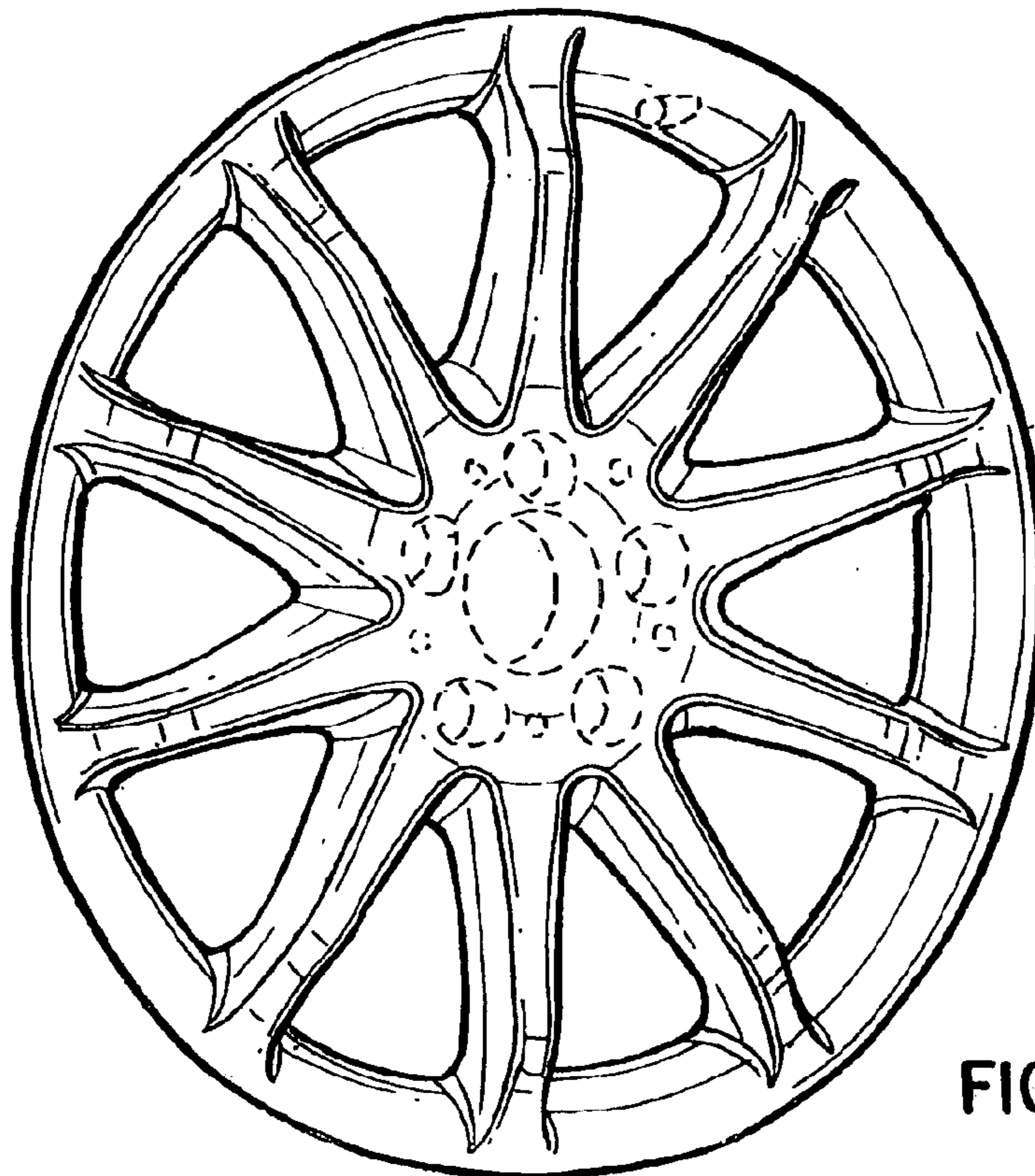


FIG. 2



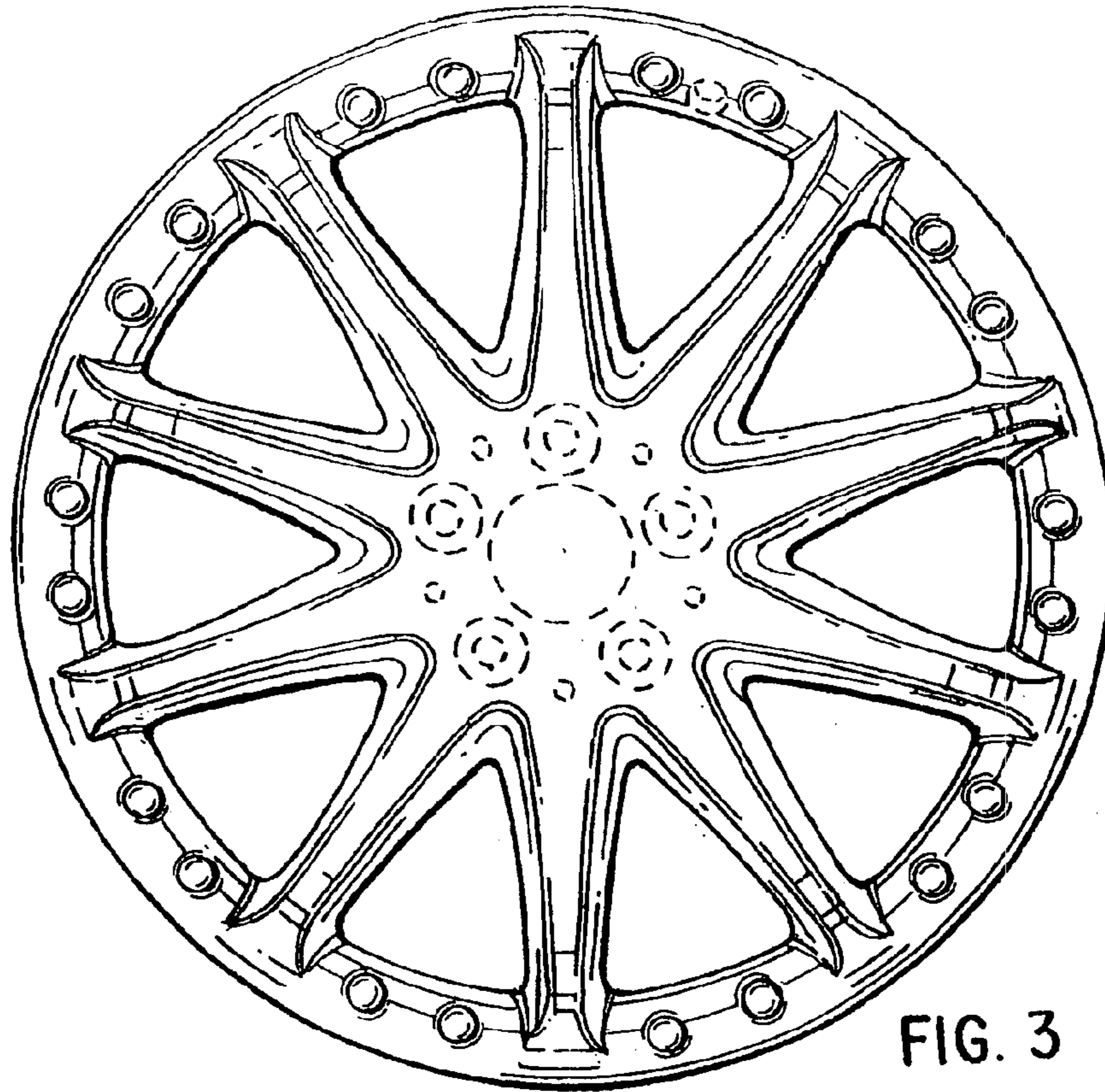


FIG. 3

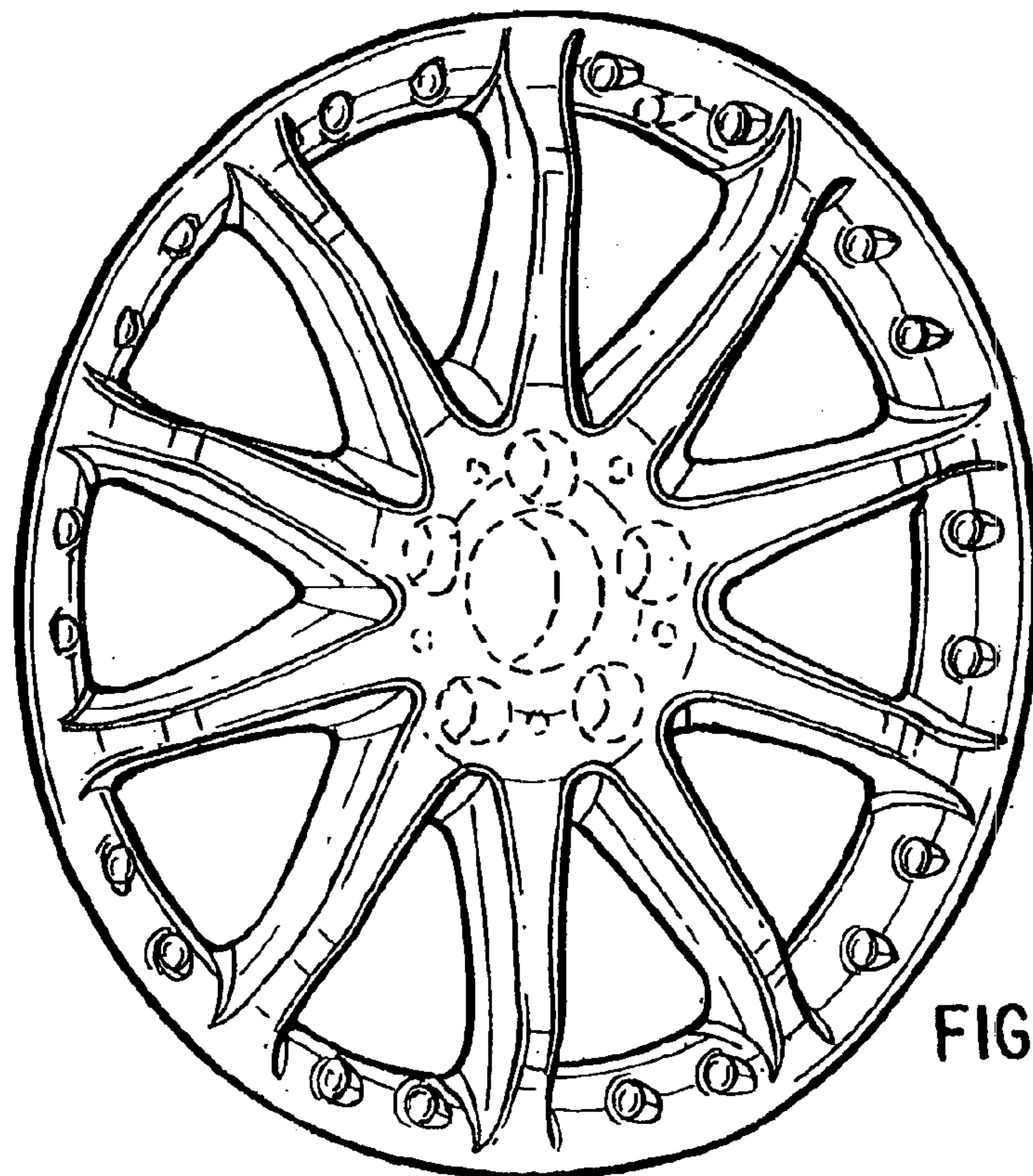


FIG. 4