

US00D504100S

(12) **United States Design Patent**
Pollmann

(10) **Patent No.: US D504,100 S**
(45) **Date of Patent: ** Apr. 19, 2005**

(54) **FRONT FACE OF A VEHICLE WHEEL**

(75) **Inventor: Gert Pollmann, Boehmfeld (DE)**

(73) **Assignee: Bayerische Motoren Werke
Aktiengesellschaft, Munich (DE)**

(**) **Term: 14 Years**

(21) **Appl. No.: 29/194,470**

(22) **Filed: Nov. 26, 2003**

(30) **Foreign Application Priority Data**

May 28, 2003 (DE) 403 03 911

(51) **LOC (7) Cl. 12-16**

(52) **U.S. Cl. D12/211**

(58) **Field of Search D12/204-213;
301/37.101, 64.101, 65**

(56) **References Cited**

U.S. PATENT DOCUMENTS

D379,612 S	*	6/1997	Honarkhah	D12/209
D384,025 S	*	9/1997	Roesianto	D12/209
D407,364 S	*	3/1999	Fisker	D12/209
D407,680 S	*	4/1999	Bhambra	D12/209
D413,851 S	*	9/1999	Donikoglu	D12/209
D421,417 S	*	3/2000	Weidhase	D12/209

D422,258 S	*	4/2000	Hale, Jr.	D12/211
D432,974 S	*	10/2000	Jablonski	D12/211
D437,821 S	*	2/2001	Frohlich	D12/211
D450,647 S	*	11/2001	Pfeiffer	D12/211
D450,650 S	*	11/2001	Cinibulk	D12/211
D454,105 S	*	3/2002	Pfeiffer	D12/209
D456,333 S	*	4/2002	Pollmann	D12/211
D460,037 S	*	7/2002	Takechi	D12/211
D466,853 S	*	12/2002	Maifrini	D12/211
D478,307 S	*	8/2003	Maifrini	D12/211
D485,524 S	*	1/2004	Bhambra	D12/209
D486,111 S	*	2/2004	Weidhase	D12/211
D486,770 S	*	2/2004	Pollmann	D12/209
D489,309 S	*	5/2004	Laengerer	D12/211

* cited by examiner

Primary Examiner—Stacia Cadmus

(74) *Attorney, Agent, or Firm*—Crowell & Moring LLP

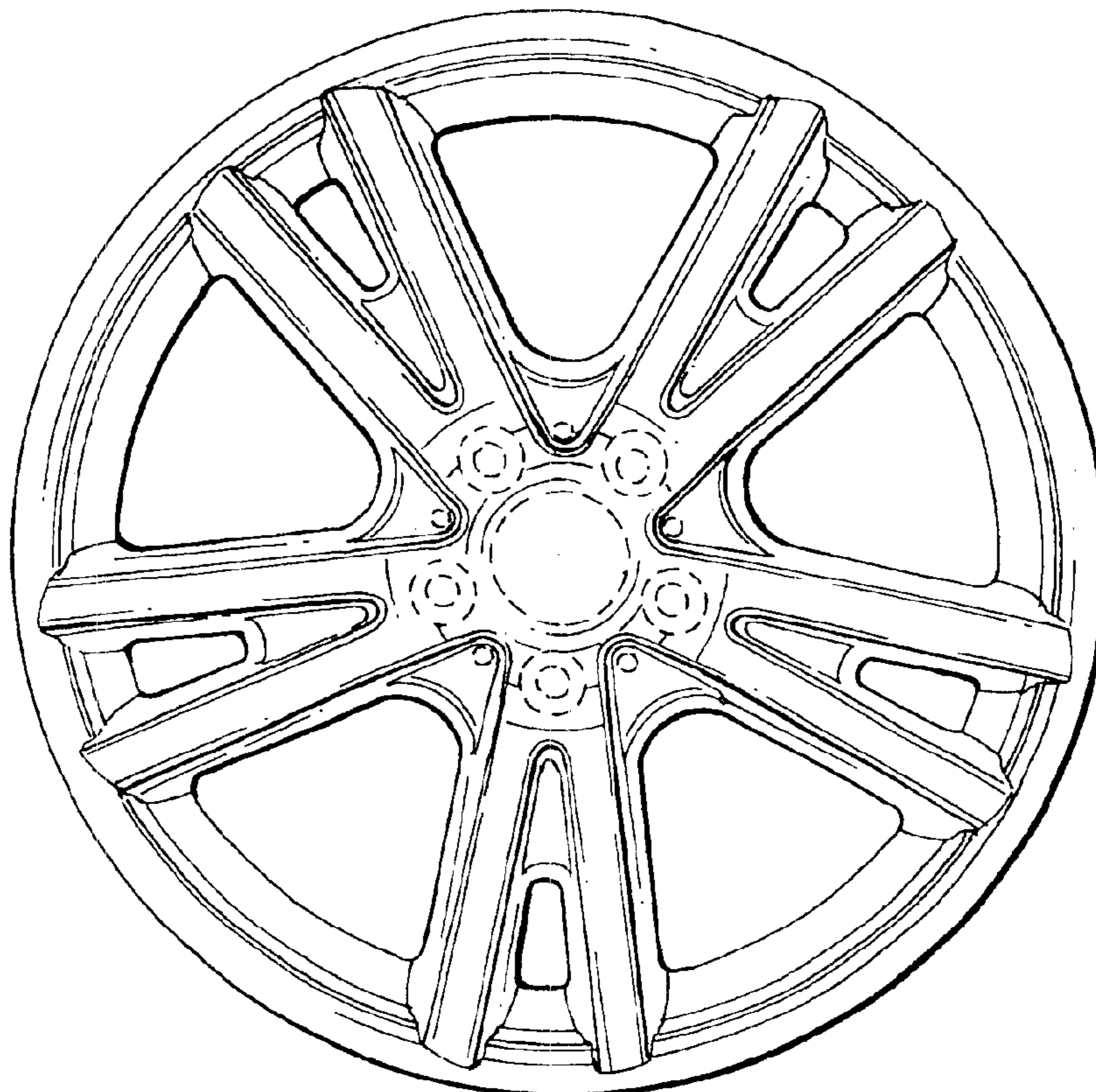
(57) **CLAIM**

The ornamental design for a front face of a vehicle wheel, as shown and described.

DESCRIPTION

FIG. 1 is a front view of a front face of a vehicle wheel according to my novel design; and, FIG. 2 is a perspective view of the front face of a vehicle wheel according to my novel design.

1 Claim, 1 Drawing Sheet



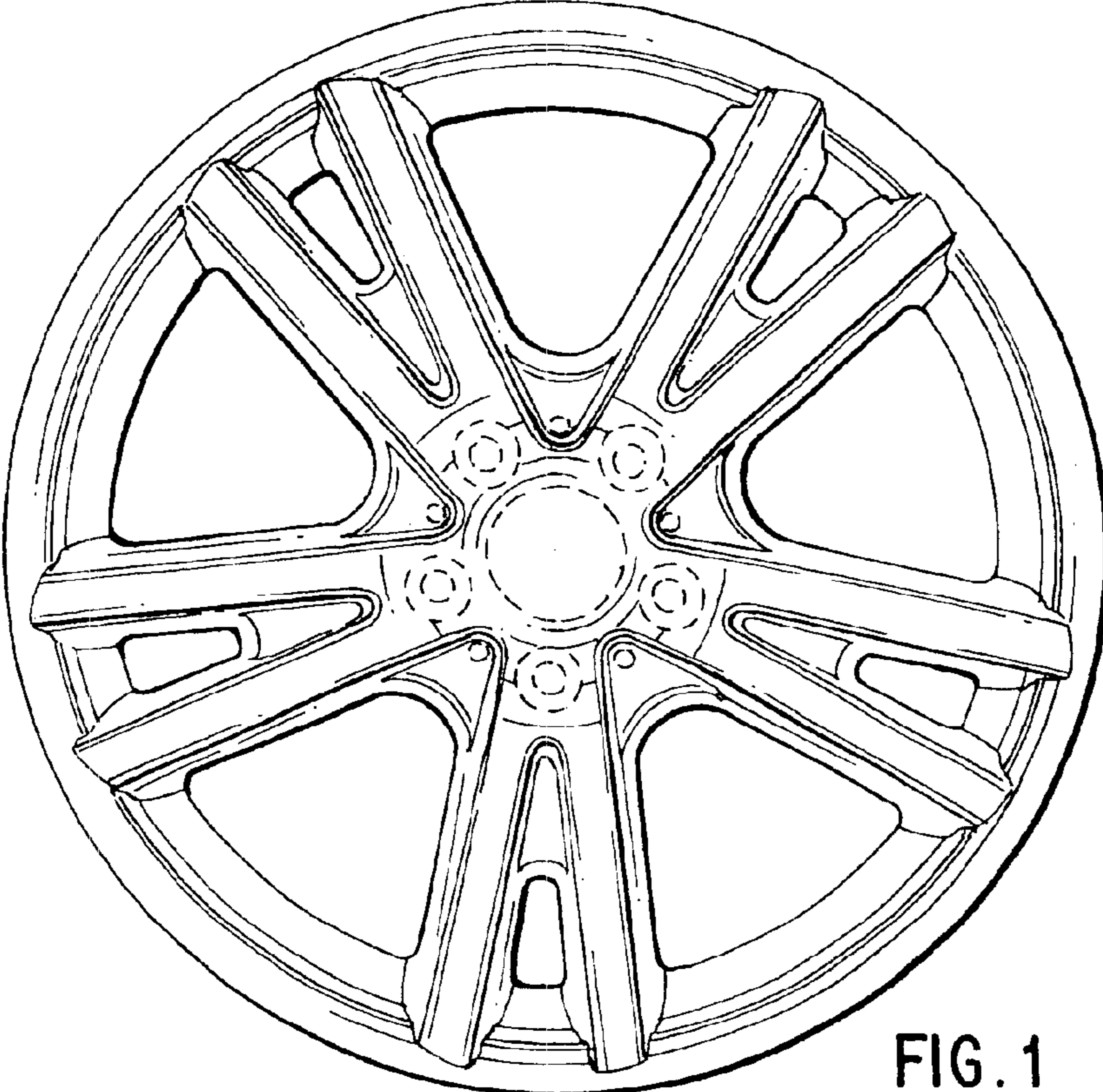


FIG. 1

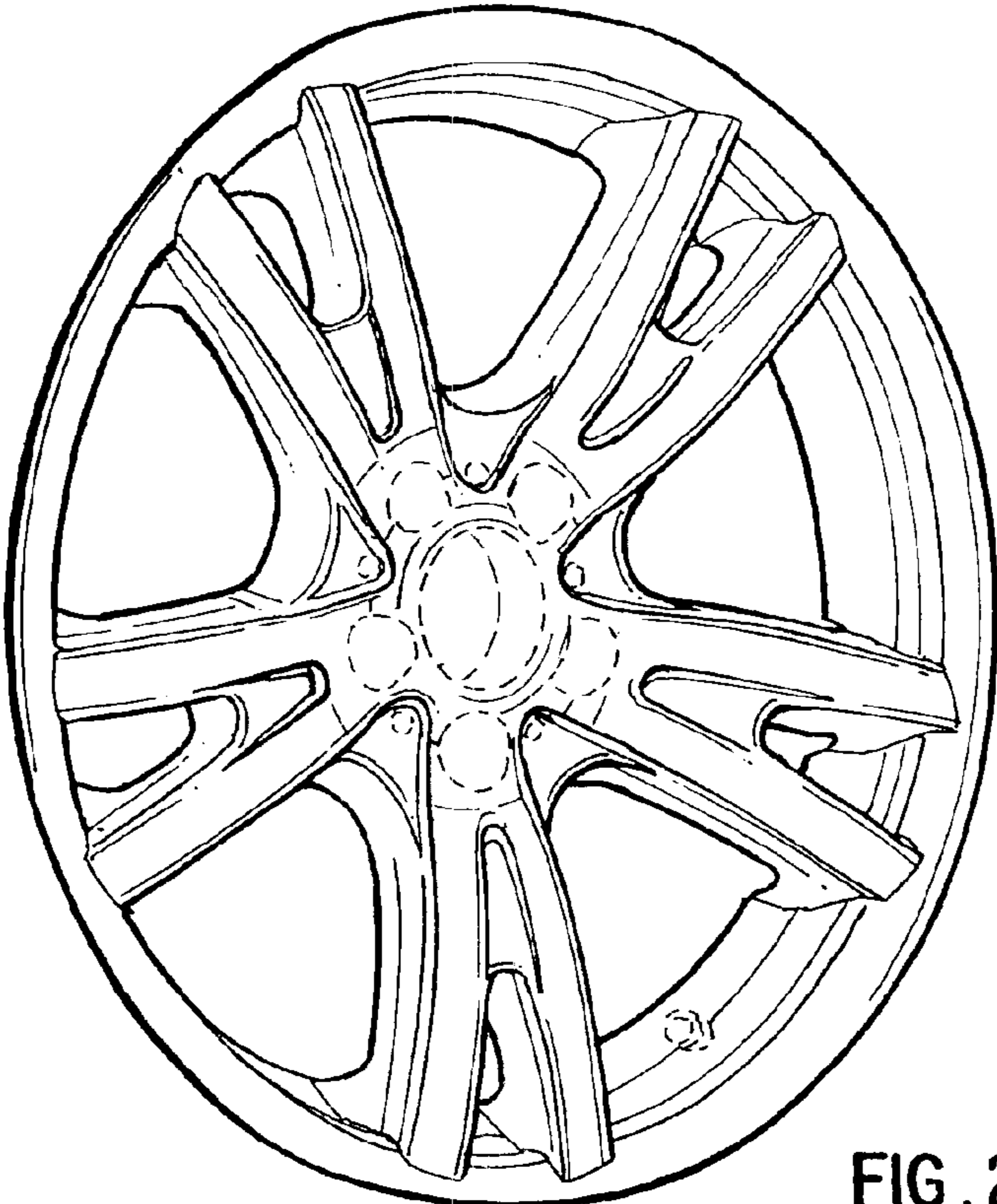


FIG. 2