

US00D504099S

(12) **United States Design Patent**
Boyer

(10) **Patent No.:** **US D504,099 S**

(45) **Date of Patent:** **** Apr. 19, 2005**

(54) **FRONT FACE OF A VEHICLE WHEEL**

D479,177 S * 9/2003 Nordmann D12/211
D480,677 S * 10/2003 Atwell D12/211
D494,120 S * 8/2004 Pfeiffer D12/209

(75) **Inventor:** **Boyke Boyer, Ismaning (DE)**

(73) **Assignee:** **Bayerische Motoren Werke
Aktiengesellschaft, Munich (DE)**

(**) **Term:** **14 Years**

(21) **Appl. No.:** **29/178,639**

(22) **Filed:** **Mar. 31, 2003**

(30) **Foreign Application Priority Data**

Oct. 1, 2002 (DE) 40208288

(51) **LOC (7) Cl.** **12-16**

(52) **U.S. Cl.** **D12/211**

(58) **Field of Search** D12/204-213;
301/37.101, 64.101, 65

(56) **References Cited**

U.S. PATENT DOCUMENTS

D84,322 S * 6/1931 Beutke et al. D12/209
D407,681 S * 4/1999 Sacco et al. D12/209
D409,968 S * 5/1999 Goplen D12/211
D476,284 S * 6/2003 Pfeiffer et al. D12/211

OTHER PUBLICATIONS

Toyota, Hilux Surf SS R=G/SSR-X/SSR-V, p. 8 (date unknown).

* cited by examiner

Primary Examiner—Stacia Cadmus

(74) *Attorney, Agent, or Firm*—Crowell & Moring LLP

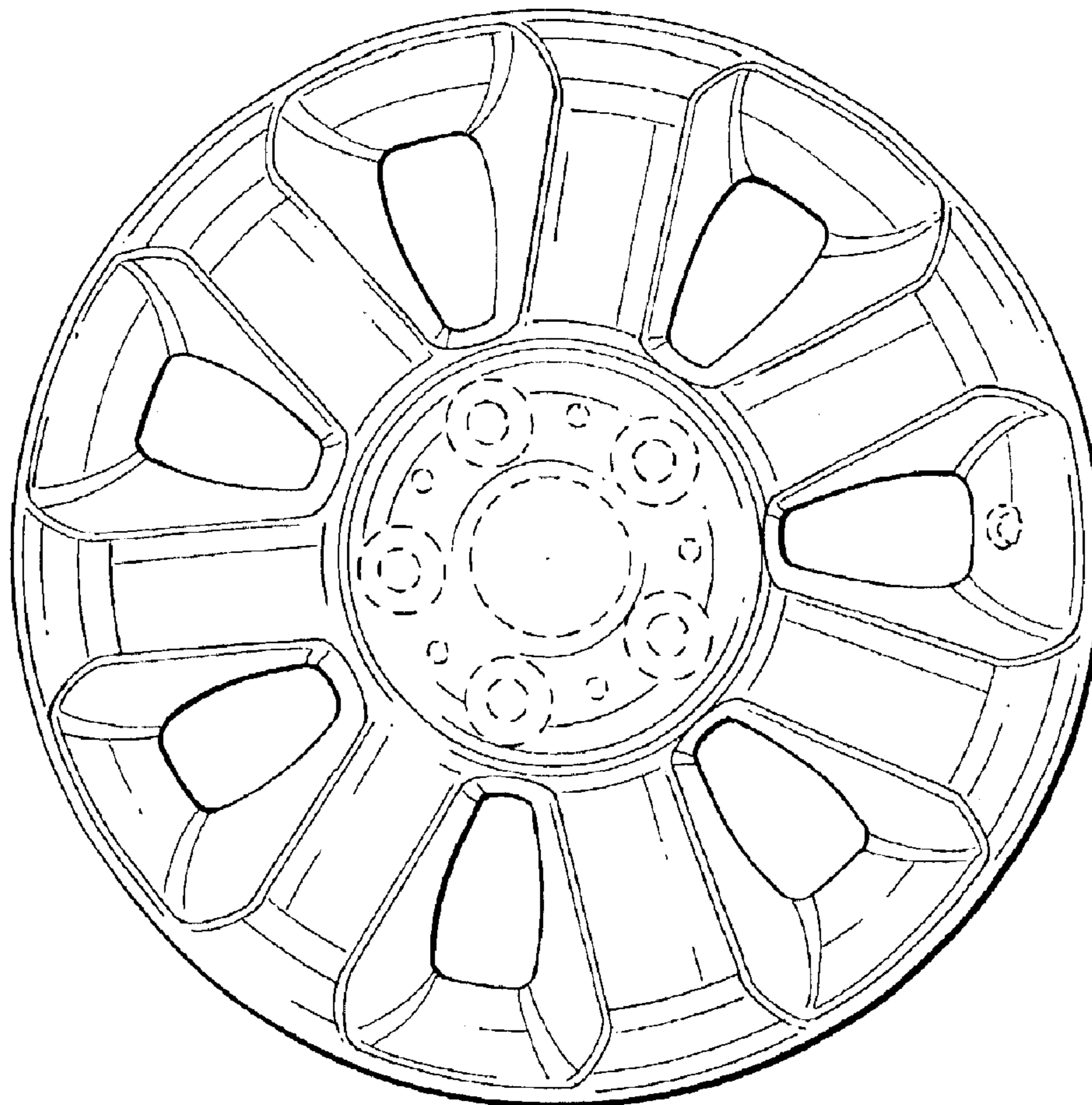
(57) **CLAIM**

The ornamental design for a front face of a vehicle wheel, as shown and described.

DESCRIPTION

FIG. 1 is a front view of a front face of a vehicle wheel according to my novel design; and, FIG. 2 is a perspective view of the front face of a vehicle wheel according to my novel design. The dash lines included depict environment and are not part of the claimed design. Also enclosed is a set of photographs of an embodiment of my invention.

1 Claim, 1 Drawing Sheet



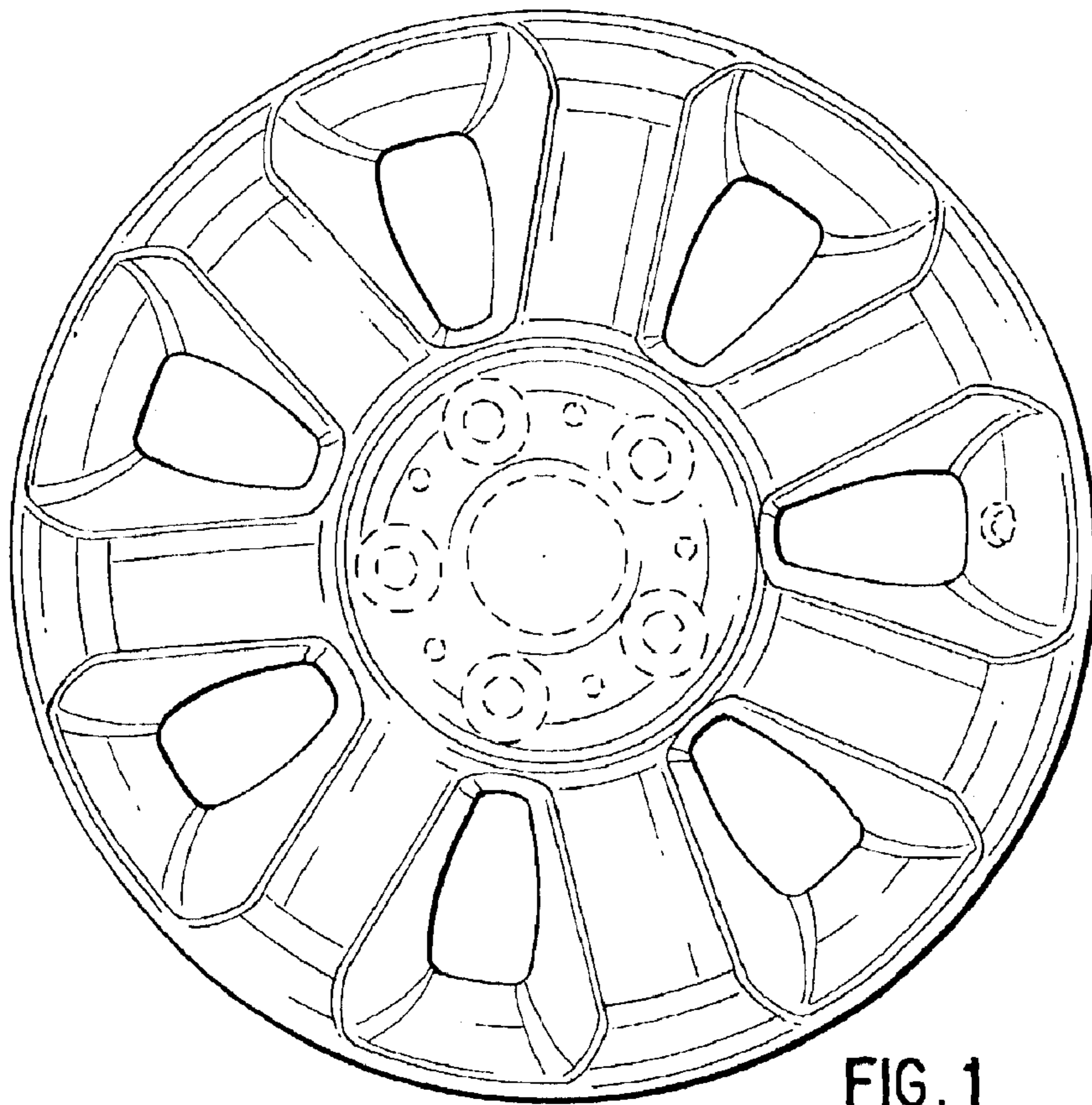


FIG. 1

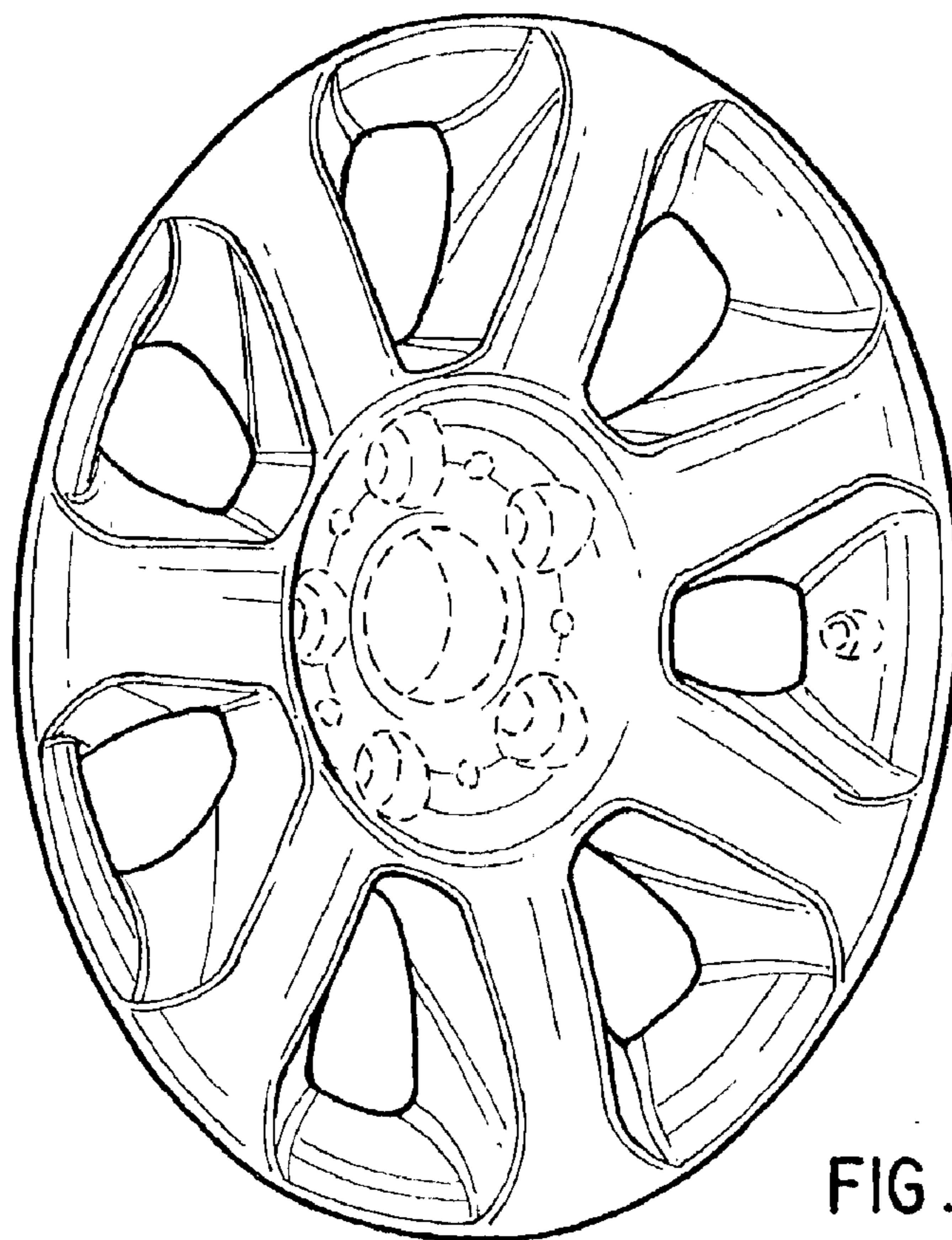


FIG. 2