

US00D504097S

(12) **United States Design Patent**
Markefka

(10) **Patent No.:** **US D504,097 S**
(45) **Date of Patent:** **** Apr. 19, 2005**

(54) **FRONT FACE OF A VEHICLE WHEEL**

(75) **Inventor:** **Marc Michael Markefka, Munich (DE)**

(73) **Assignee:** **Bayerische Motoren Werke Aktiengesellschaft, Munich (DE)**

(**) **Term:** **14 Years**

(21) **Appl. No.:** **29/192,283**

(22) **Filed:** **Oct. 23, 2003**

(30) **Foreign Application Priority Data**

Apr. 24, 2003 (DE) 403 03 219

(51) **LOC (7) Cl.** **12-16**

(52) **U.S. Cl.** **D12/209**

(58) **Field of Search** D12/204-213;
301/37.101, 64.101, 65

(56) **References Cited**

U.S. PATENT DOCUMENTS

- D400,487 S * 11/1998 Elbertse et al. D12/209
- D419,946 S 2/2000 Goplen D12/211
- D420,639 S * 2/2000 Roesianto D12/209

- D422,959 S * 4/2000 Hussaini et al. D12/211
- D425,007 S * 5/2000 Noriega D12/211
- D450,647 S * 11/2001 Pfeiffer D12/211
- D457,478 S * 5/2002 Minamisawa D12/211
- D469,048 S * 1/2003 van Hooydonk D12/209
- D484,839 S * 1/2004 Scheu D12/209
- D487,881 S * 3/2004 Laengerer D12/209
- D488,420 S * 4/2004 Murkett et al. D12/209
- D492,235 S * 6/2004 Nordmann D12/211

* cited by examiner

Primary Examiner—Stacia Cadmus

(74) *Attorney, Agent, or Firm*—Crowell & Moring LLP

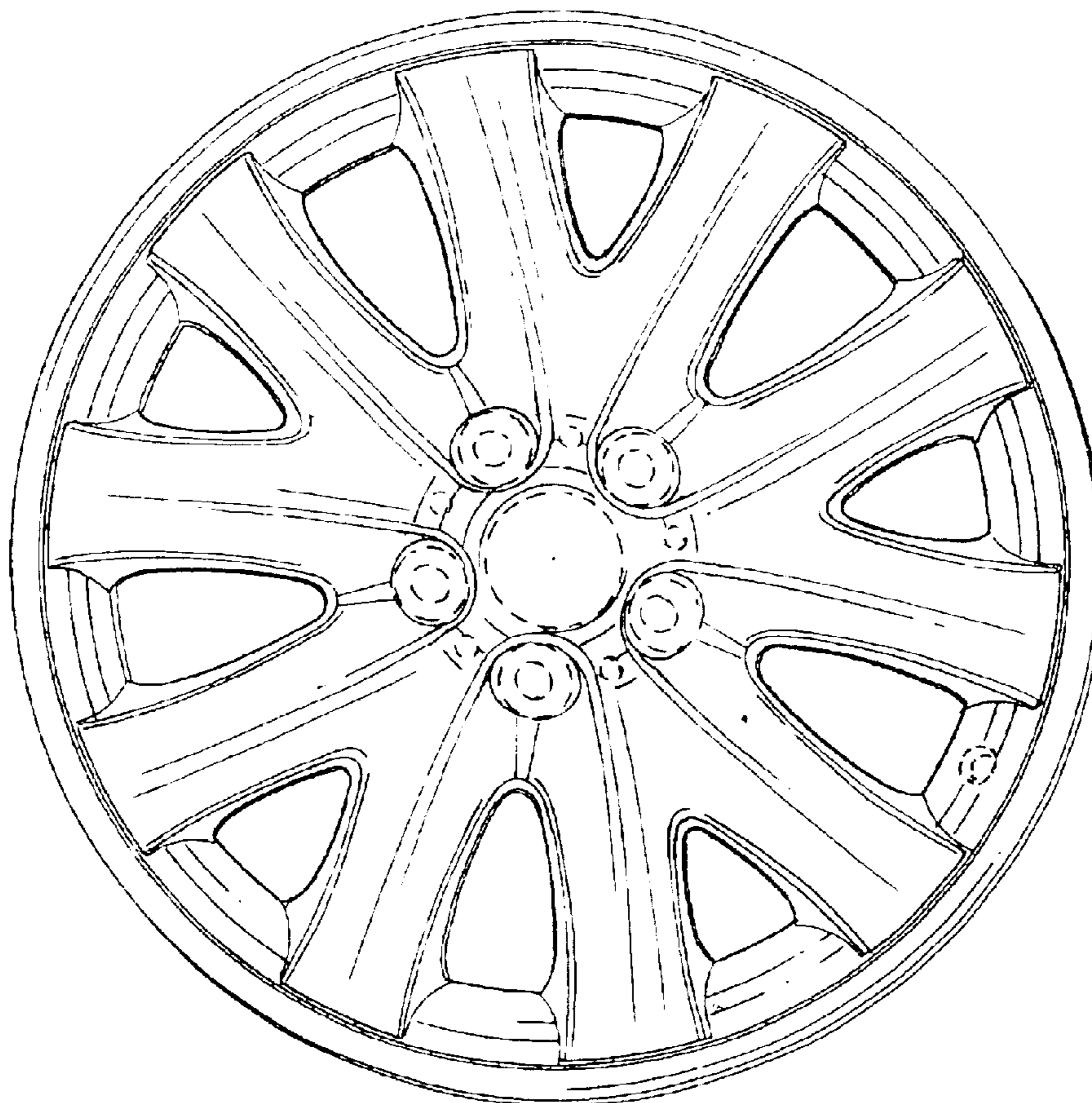
(57) **CLAIM**

The ornamental design for a front face of a vehicle wheel, as shown and described.

DESCRIPTION

FIG. 1 is a front view of a front face of a vehicle wheel according to my novel design; and, FIG. 2 is a perspective view of the front face of a vehicle wheel according to my novel design. The broken lines are for illustrative purposes only and form no part of the claimed design.

1 Claim, 1 Drawing Sheet



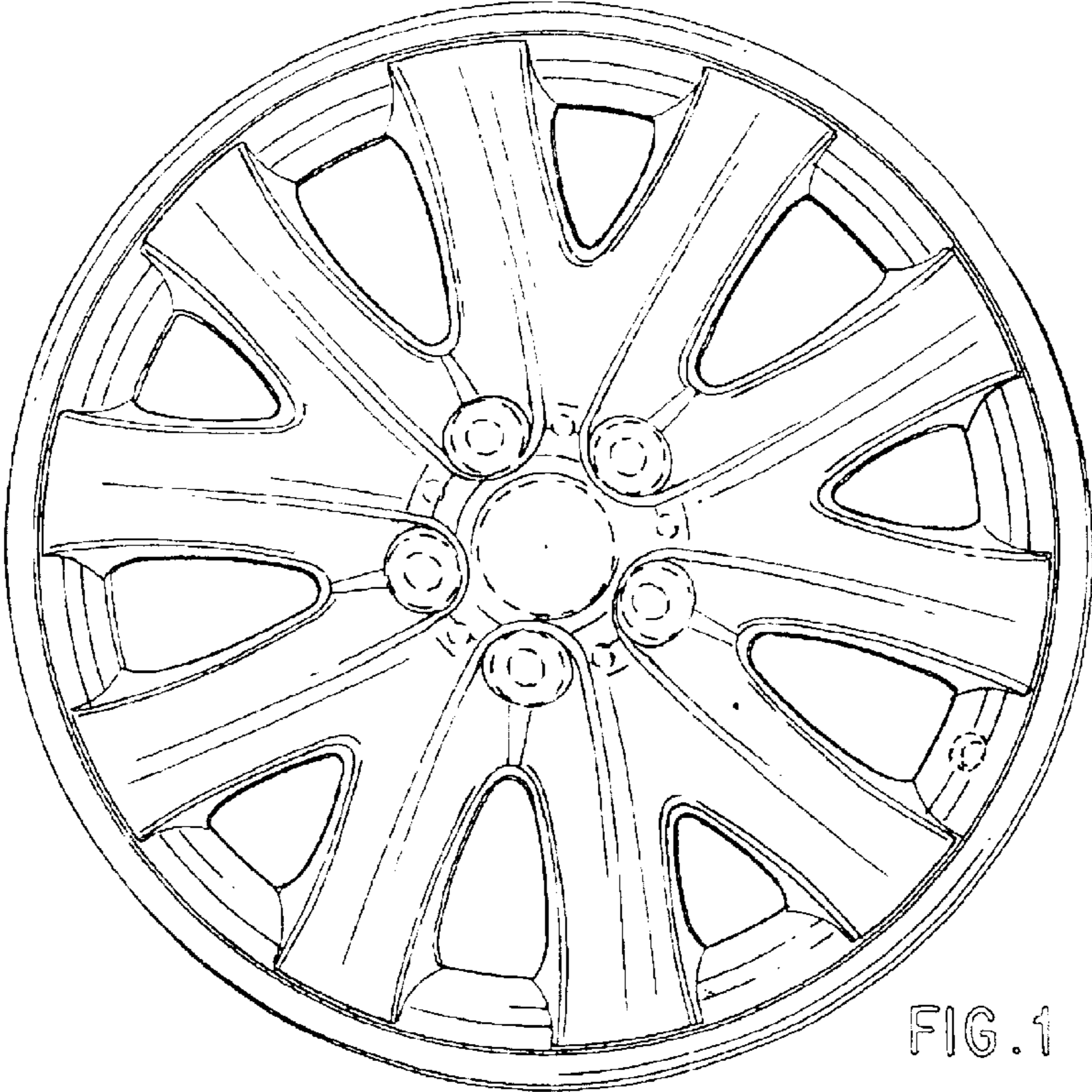


FIG. 1

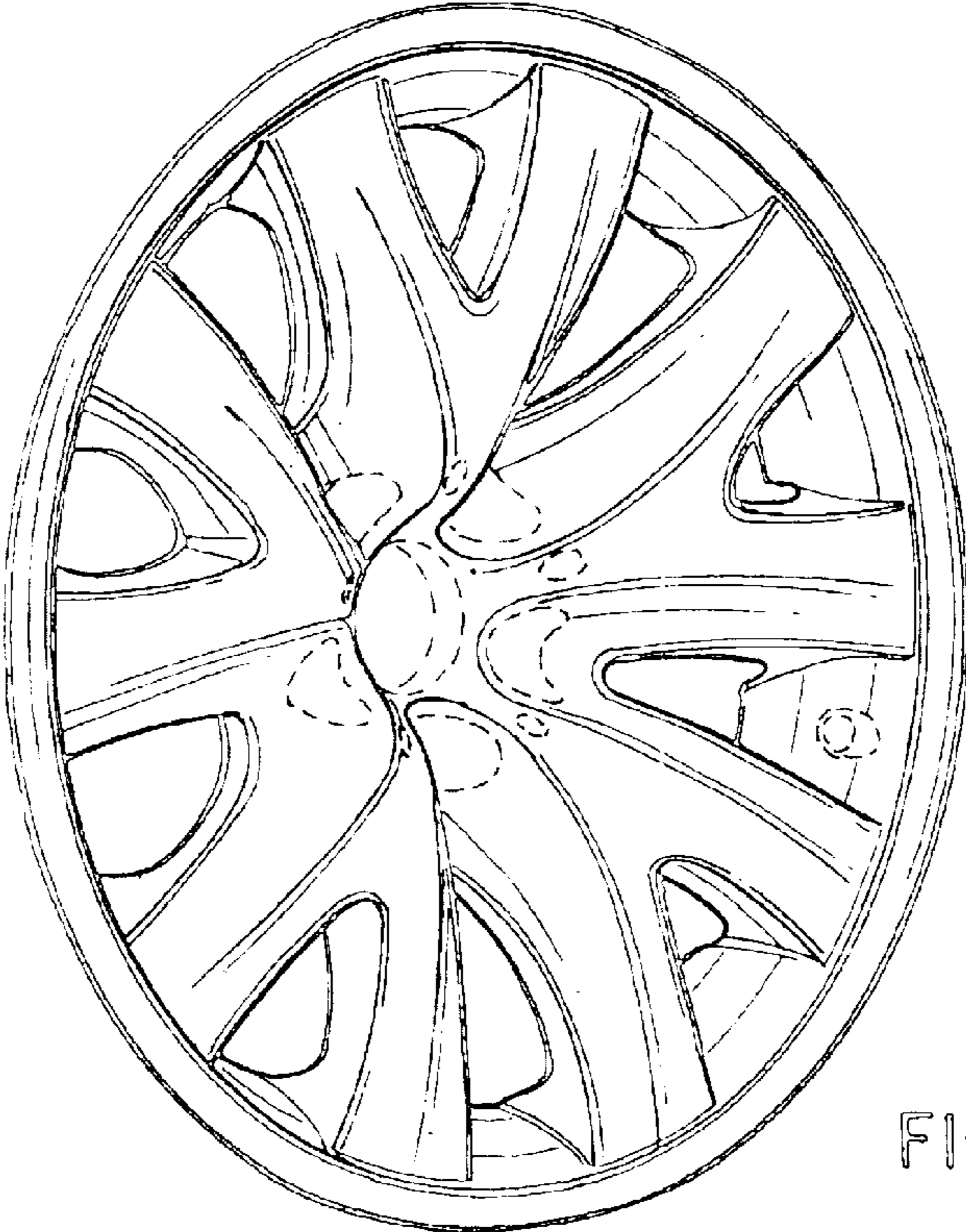


FIG. 2