

US00D504093S

(12) **United States Design Patent**  
**Chao**

(10) **Patent No.:** **US D504,093 S**

(45) **Date of Patent:** **\*\* Apr. 19, 2005**

(54) **INSTRUMENT PANEL**

(76) **Inventor:** **Lance Chao**, 7F, No. 140-1, Jin Hua Street, Taipei (TW)

(\*\*) **Term:** **14 Years**

(21) **Appl. No.:** **29/212,135**

(22) **Filed:** **Aug. 27, 2004**

(51) **LOC (7) Cl.** ..... **12-16**

(52) **U.S. Cl.** ..... **D12/192**

(58) **Field of Search** ..... D12/192; 180/90;  
280/750-752; 296/190-191, 70; D10/46,  
102, 98, 122-127

(56) **References Cited**

**U.S. PATENT DOCUMENTS**

|            |   |         |                |       |         |
|------------|---|---------|----------------|-------|---------|
| D54,138 S  | * | 11/1919 | Smith          | ..... | D12/192 |
| D73,347 S  | * | 8/1927  | Smith          | ..... | D12/192 |
| D74,057 S  | * | 12/1927 | Knapp          | ..... | D12/192 |
| D77,236 S  | * | 12/1928 | Jacobi         | ..... | D12/192 |
| D276,715 S | * | 12/1984 | Morioka et al. | ..... | D12/192 |
| D413,294 S | * | 8/1999  | Lagaay         | ..... | D12/192 |
| D440,925 S | * | 4/2001  | Pfeiffer       | ..... | D12/192 |

|            |   |         |              |       |         |
|------------|---|---------|--------------|-------|---------|
| D450,023 S | * | 11/2001 | Rayburn      | ..... | D12/192 |
| D470,090 S | * | 2/2003  | Sawabe       | ..... | D12/192 |
| D489,302 S | * | 5/2004  | Tuzar        | ..... | D12/192 |
| D490,759 S | * | 6/2004  | Iohara       | ..... | D12/192 |
| D494,905 S | * | 8/2004  | Kraus et al. | ..... | D12/192 |

\* cited by examiner

*Primary Examiner*—Stacia Cadmus

(74) *Attorney, Agent, or Firm*—Rosenberg, Klein & Lee

(57) **CLAIM**

The ornamental design for an instrument panel, as shown and described.

**DESCRIPTION**

FIG. 1 is a perspective view of the instrument panel in accordance with the design;

FIG. 2 is a front elevation view thereof;

FIG. 3 is a rear elevation view thereof;

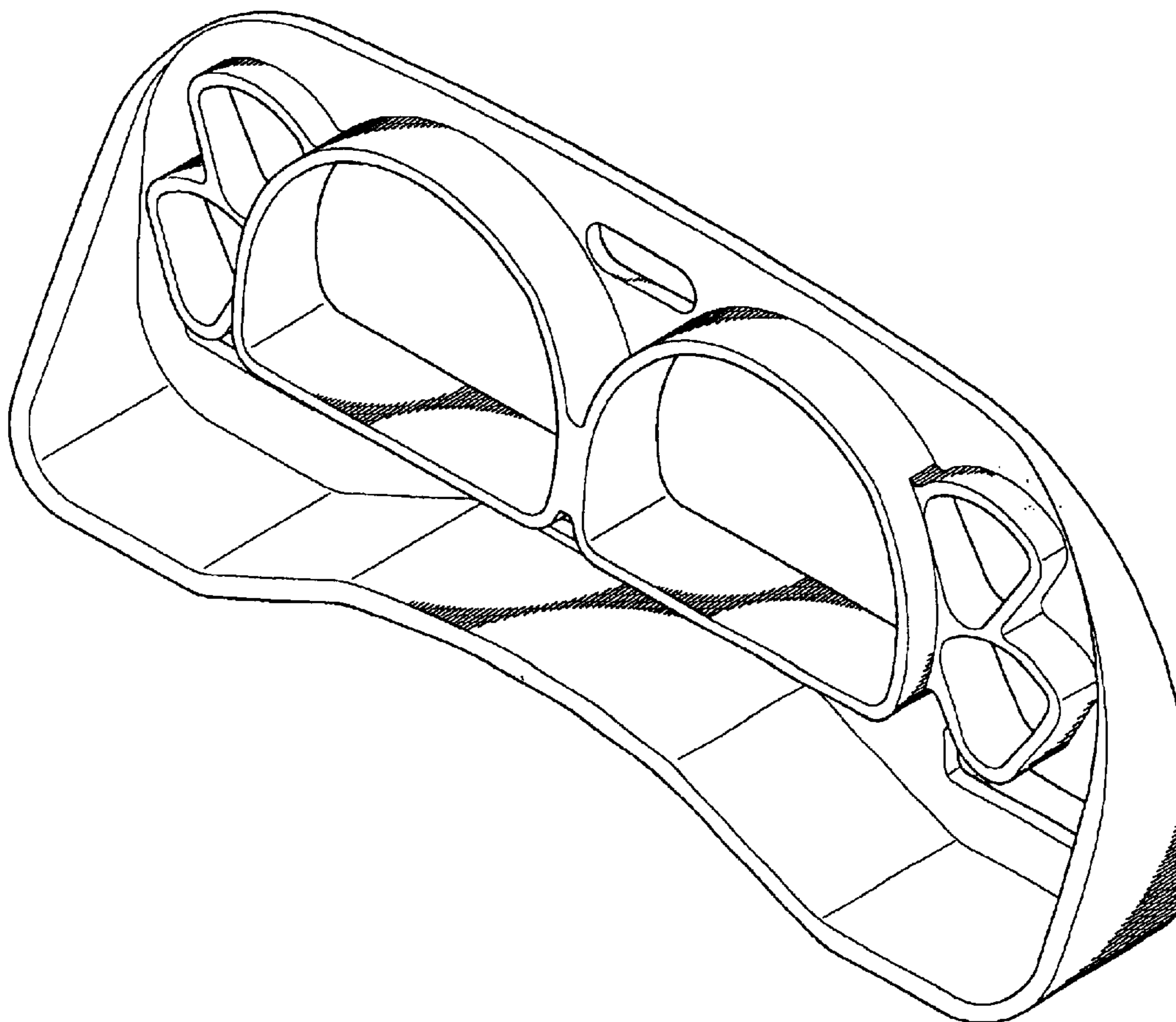
FIG. 4 is a left side elevation view thereof;

FIG. 5 is a right side elevation view thereof;

FIG. 6 is a top plan view thereof; and,

FIG. 7 is a bottom plan view thereof.

**1 Claim, 4 Drawing Sheets**



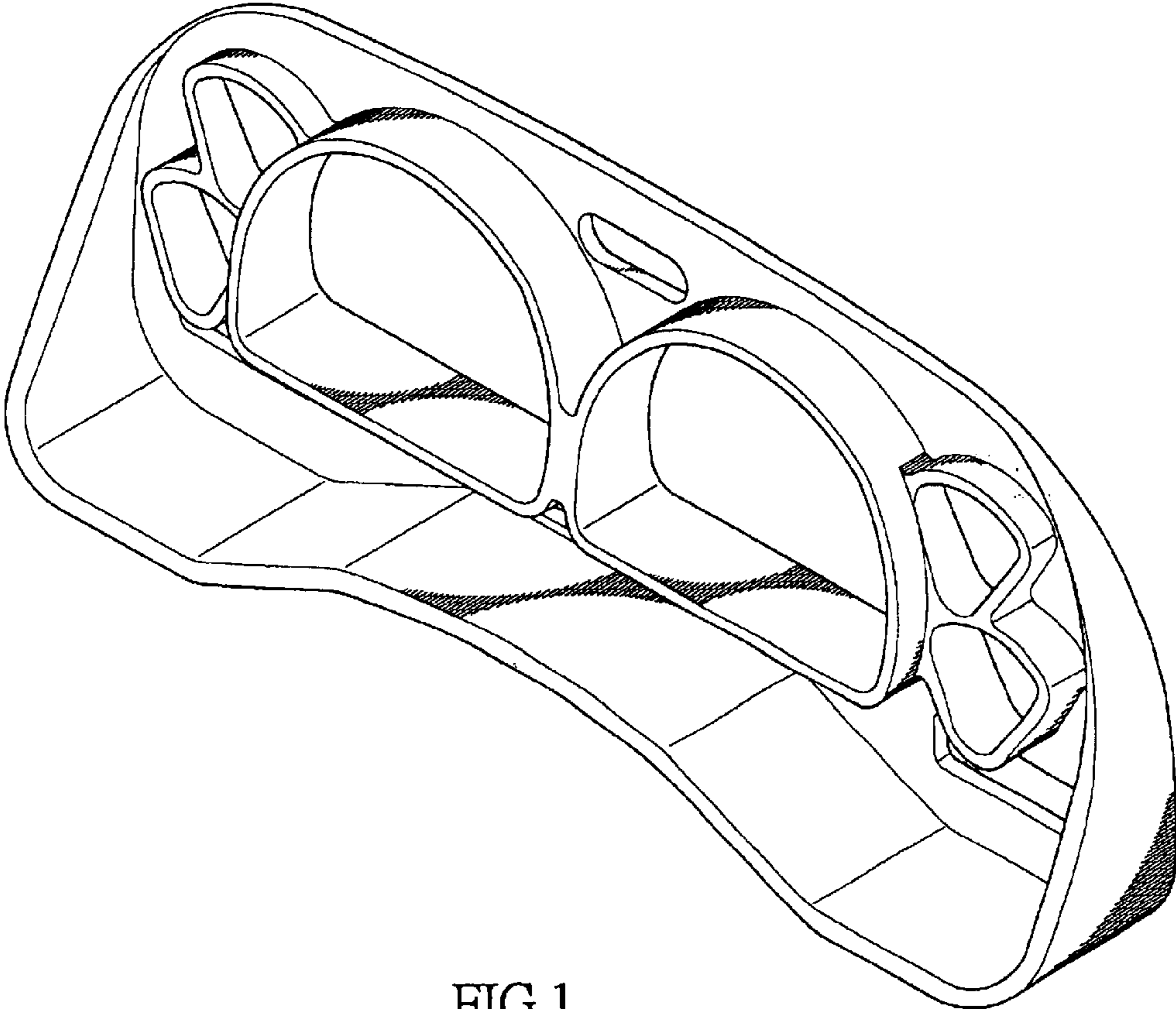


FIG.1

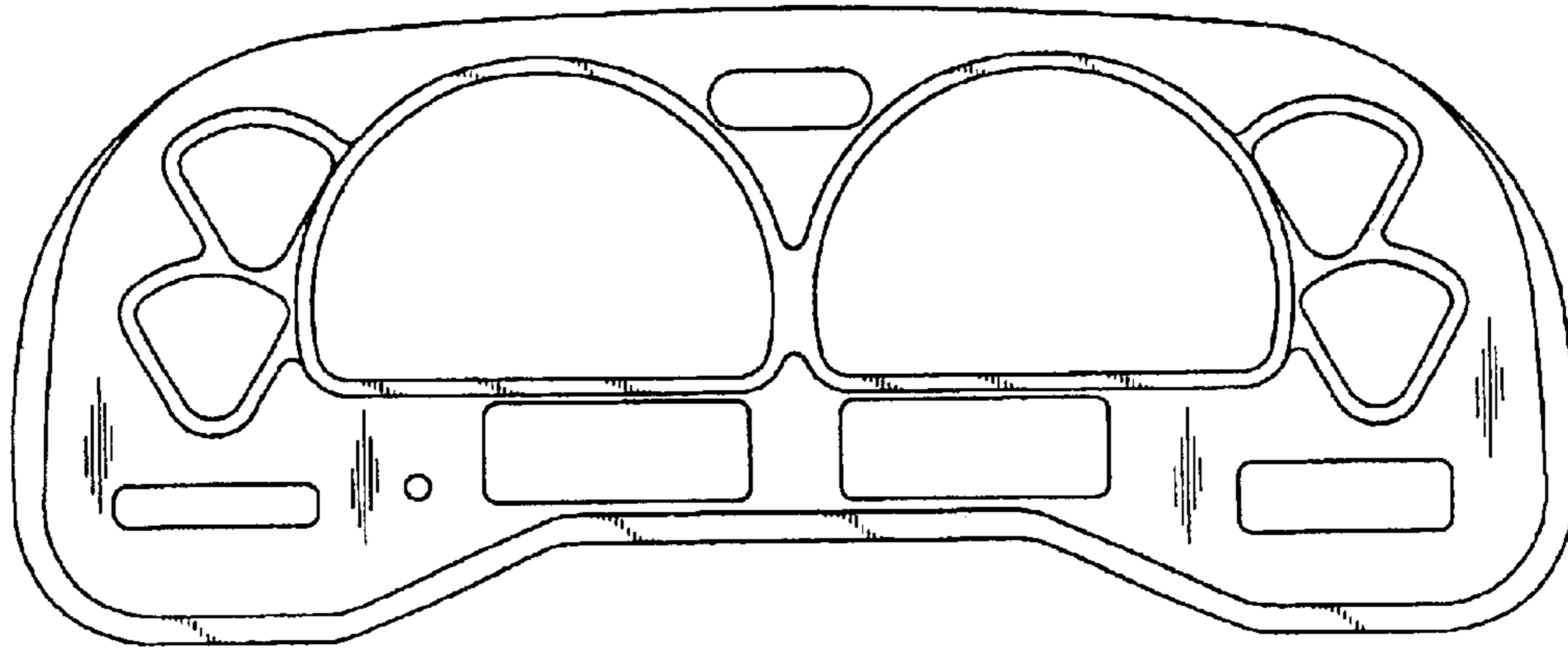


FIG.2

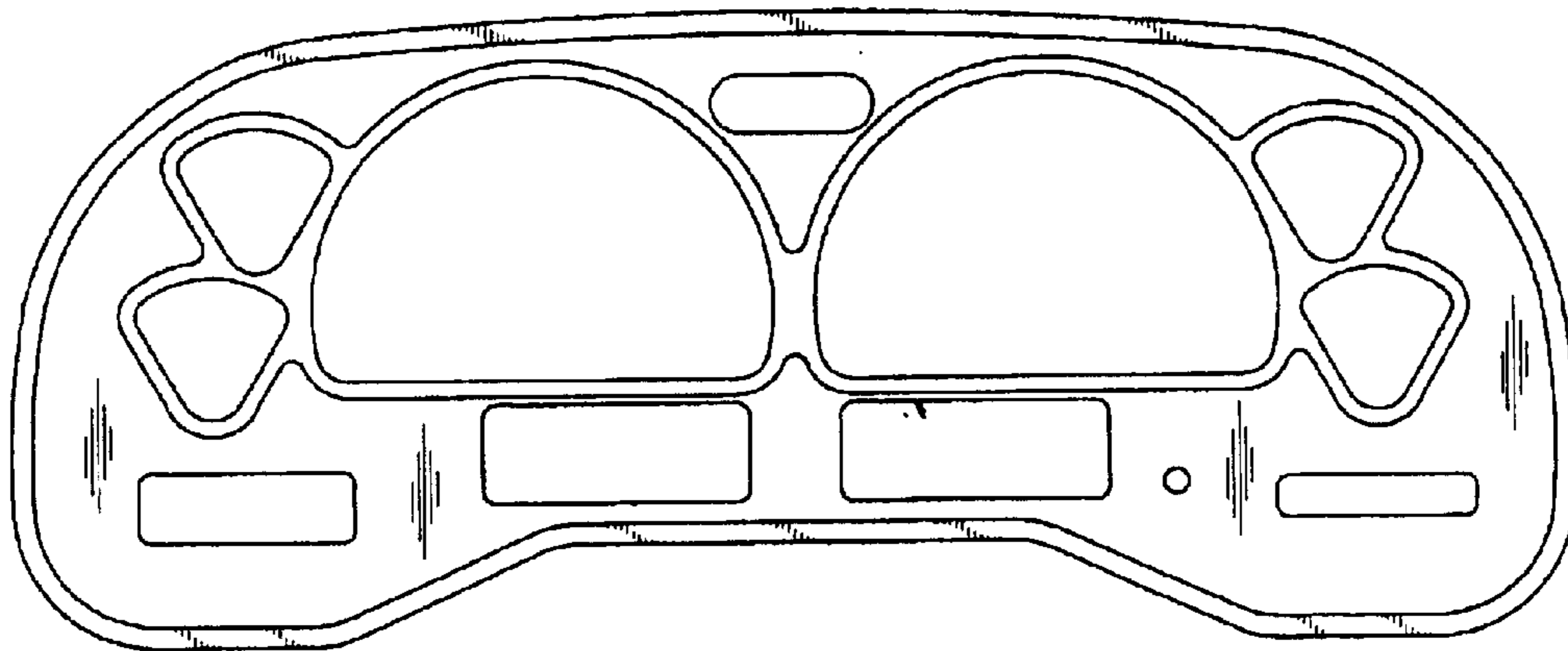


FIG.3

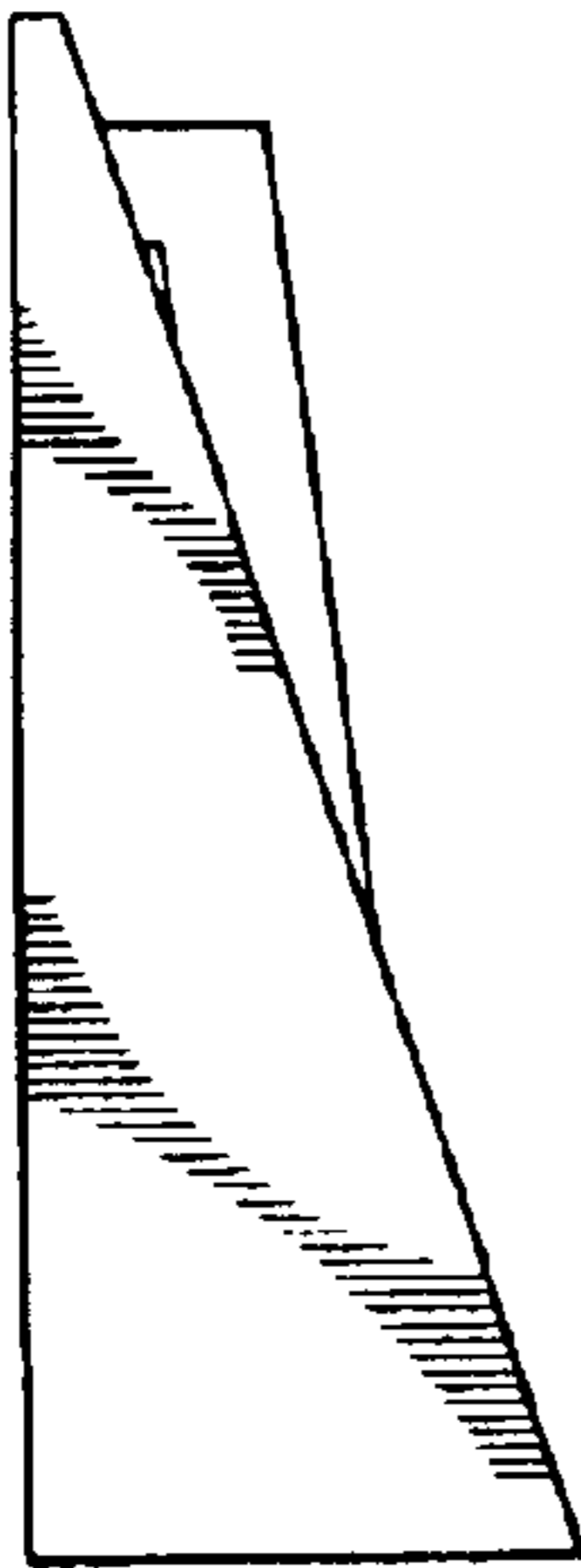


FIG. 4

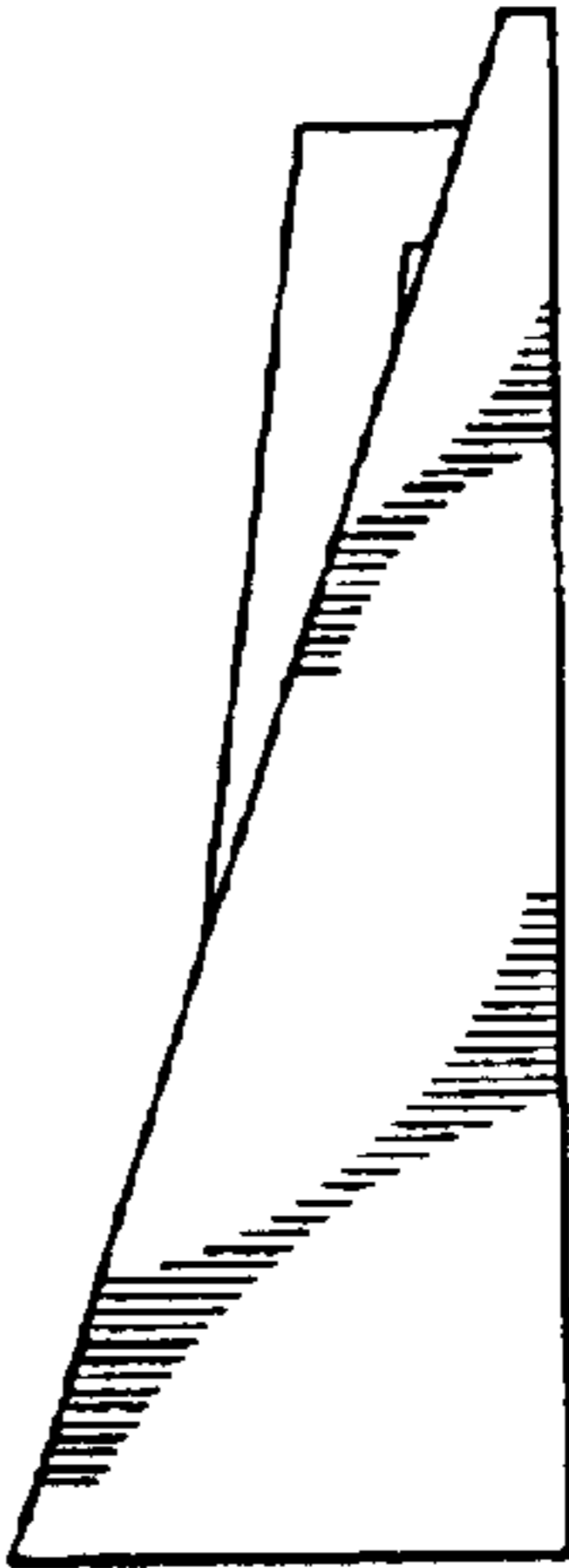


FIG. 5

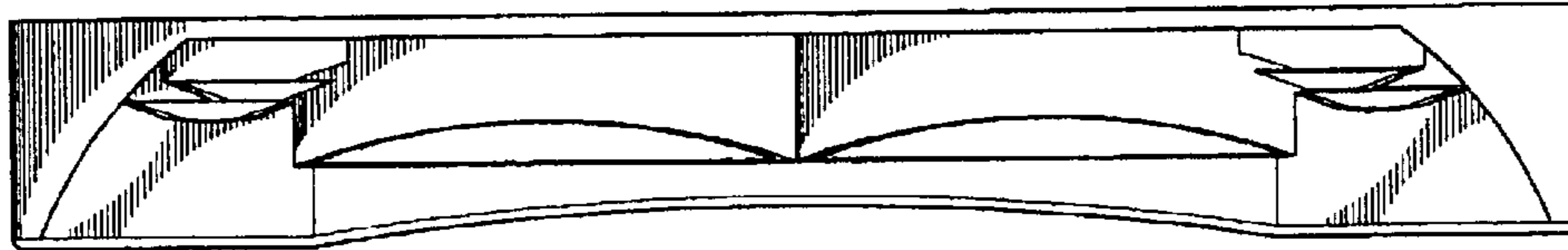


FIG. 6

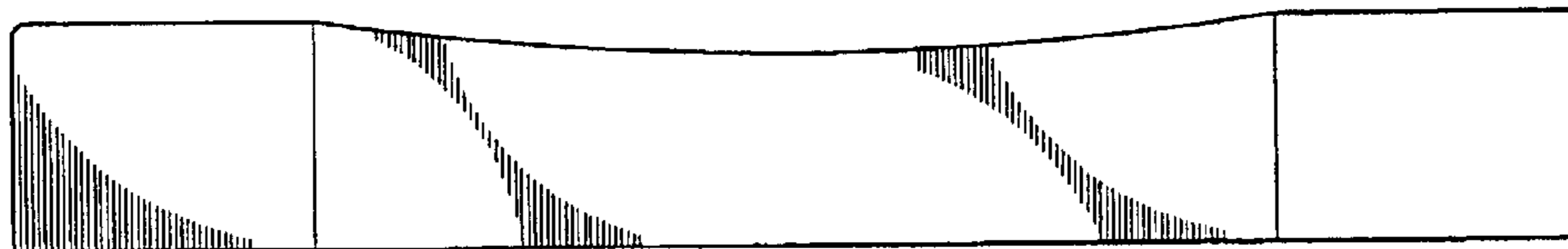


FIG. 7